



## Welcome to the World of AirBorn Interconnect Solutions

**CATALOG PAGES CURRENT AS OF MAY 2013 FOR MOST CURRENT CATALOG  
VISIT US AT [WWW.AIRBORN.COM](http://WWW.AIRBORN.COM) OR CLICK ON THE CATALOG PAGE REVISION**

AirBorn has been manufacturing high reliability interconnect systems for more than 45 years with leading-edge, innovative technology that is more reliable and better-performing than practically all other alternatives.

Our advanced technologies, experienced design support, incomparable lead times and personalized customer service and support provide customers with complete solutions to a vast array of highly specialized design requirements in diverse markets and applications.

You will find in this catalog technical drawings and specification information that will help you solve your interconnection needs from the design stage through production specification.

The products in this catalog are organized by the AirBorn part number assigned to them.

Each connector part number identifies five elements:

- AirBorn Series
- Body
- Size (number of contacts)
- Contact Type
- Hardware Type

Each catalog page shows the choices available for each of these elements. By selecting one option from any category on the page, you can build a set of connectors to meet your requirements.

If you do not find a particular connector size or option, please contact AirBorn for further assistance. AirBorn can manufacture special configurations for your exact specifications.

***When everything matters, go AirBorn.***

[www.AirBorn.com](http://www.AirBorn.com)

### **AirBorn International LTD**

Mercury House, Station Road  
Edenbridge. Kent. TN8 6HL  
United Kingdom

Phone: +44 (0)1732 864930  
E-mail: [cs@airbornint.com](mailto:cs@airbornint.com)

### **AirBorn**

4321 AirBorn Drive  
Addison, TX 75001-0519  
United States

Phone: (972) 931-3200  
Fax: (972) 931-9305  
E-mail: [info@airborn.com](mailto:info@airborn.com)

### **AirBorn**

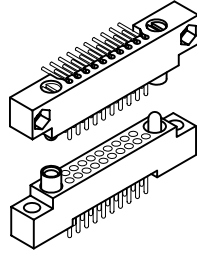
3500 AirBorn Circle  
Georgetown, TX 78626  
United States

Phone: (512) 863-5585  
Fax: (512) 863-8259  
E-mail: [info@airborn.com](mailto:info@airborn.com)

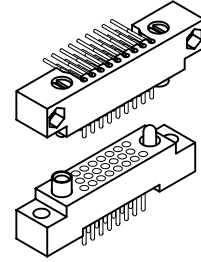
**"R" SERIES - .075"**  
**MIL-C-55302**

## Daughterboard to Motherboard or Chassis

Right angle plug mating to  
straight receptacle.

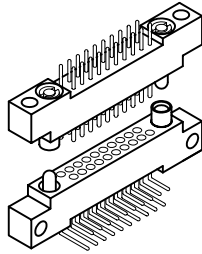


**2 Row**  
Sizes: 10 thru 100  
Page: R-9

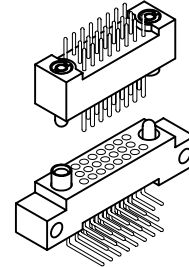


**3 Row**  
Sizes: 11 thru 206  
Page: R-21

Right angle receptacle mating to  
straight plug.

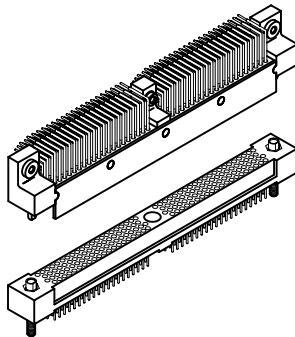


**2 Row**  
Sizes: 10 thru 100  
Page: R-11

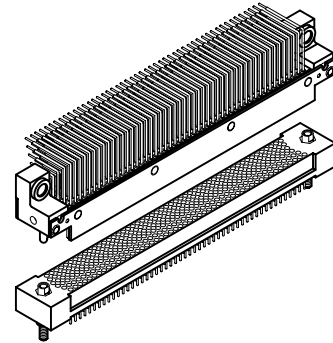


**3 Row**  
Sizes: 11 thru 206  
Page: R-23

Right angle plug mating to  
straight receptacle.

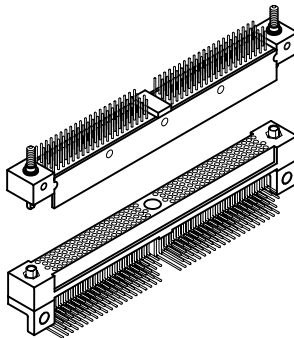


**4 Row**  
Sizes: 86 thru 404  
Page: R-43

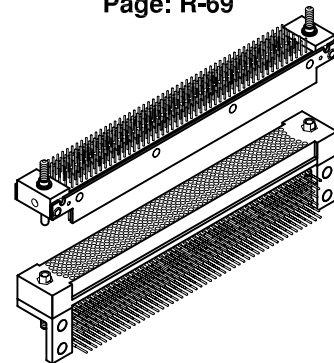


**6 Row**  
Sizes: 162 thru 402  
Page: R-59  
Sizes: 448 & 604  
Page: R-69

Right angle receptacle  
mating to straight plug.



**4 Row**  
Sizes: 86 thru 404  
Page: R-45

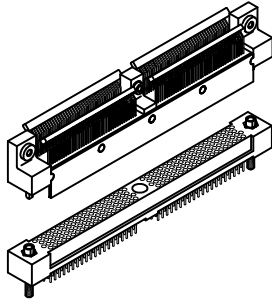


**6 Row**  
Sizes: 162 thru 402  
Page: R-61  
Sizes: 448 & 604  
Page: R-71

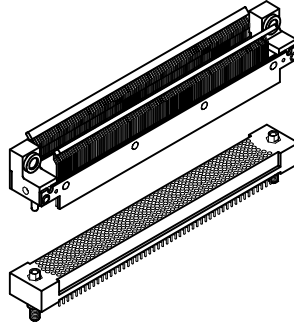


## Daughterboard to Motherboard or Chassis

Surface mount plug  
mating to straight receptacle.



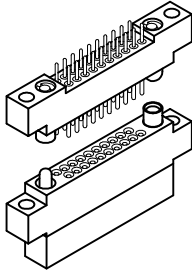
**4 Row**  
Sizes: 86 thru 404  
Page: R-47



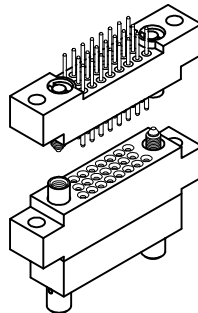
**6 Row**  
Sizes: 162 thru 402  
Page: R-63  
Sizes: 448 & 604  
Page: R-73

## Cable or Board mating to Crimp Removable

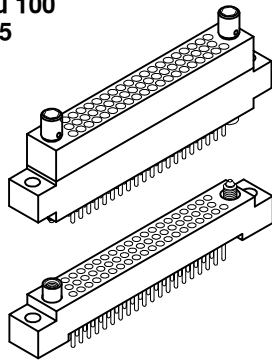
Straight plug mating to  
crimp removable receptacle.



**2 Row**  
Sizes: 10 thru 100  
Page: R-15

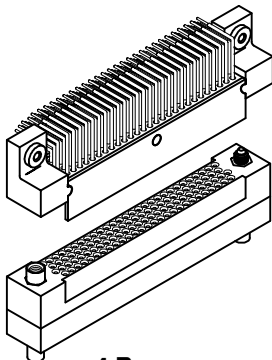


**3 Row**  
Sizes: 11 thru 80  
Page: R-27



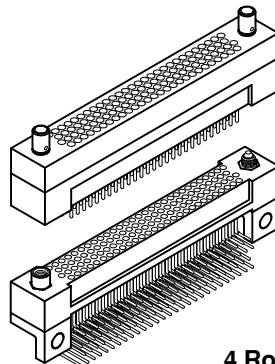
**3 Row**  
Sizes: 11 thru 80  
Page: R-31

Crimp removable plug mating to  
straight receptacle



**4 Row**  
Sizes: 86 & 110  
Page: R-49

Straight plug mating to  
crimp removable receptacle.

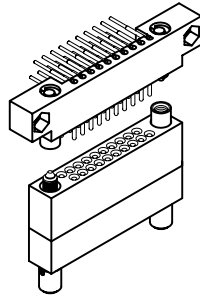


Crimp removable plug mating  
to right angle receptacle.

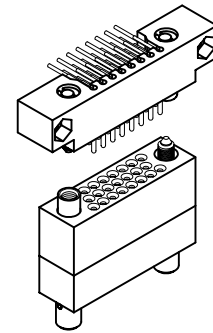
**4 Row**  
Sizes: 86 & 110  
Page: R-51



Right angle plug mating to crimp removable receptacle.

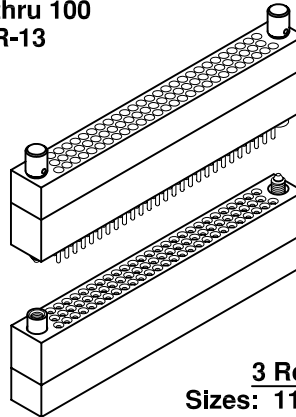


**2 Row**  
**Sizes: 10 thru 100**  
**Page: R-13**



**3 Row**  
**Sizes: 11 thru 80**  
**Page: R-25**

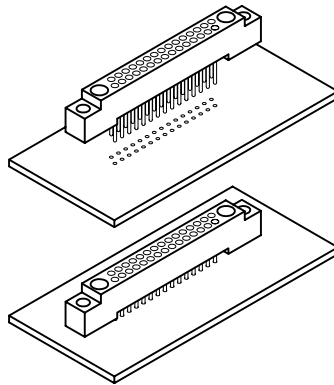
Crimp removable plug mating to crimp removable receptacle.



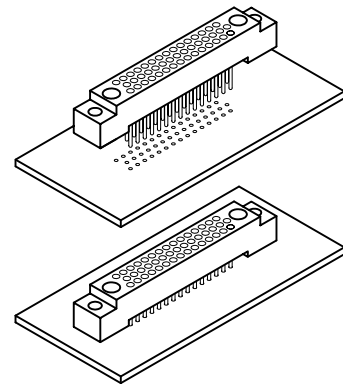
**3 Row**  
**Sizes: 11 thru 80**  
**Page: R-29**

**PC Board Stackable**

Plated thru hole stackable or connector saver.

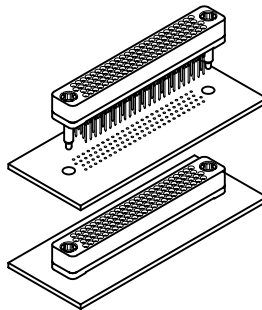


**2 Row**  
**Sizes: 10 thru 100**  
**Page: R-18**

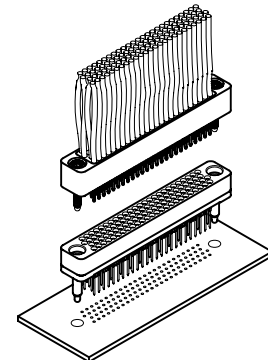


**3 Row**  
**Sizes: 11 thru 206**  
**Page: R-34**

Compliant pin (press fit) stackable.



**4 Row**  
**Sizes: 28 thru 300**  
**Page: R-82**



**4 Row**  
**Sizes: 28 thru 152**  
**Page: R-85**

# Contents



## "R" Series

### .075" Rectangular Plastic Board Level Connectors

R-1	Index
R-4	Contents
R-6	Specifications
R-7	Performance
R-8	Part number description
<b>2-Row Connectors - Board to Board, Board to Cable, Sizes: 10-100</b>	
R-9	RM252, RM272 Plug, right angle with or without mounting ears RM222, RM242 Receptacle, straight, with or without mounting ears
R-11	RM212, RM232 Plug, straight, with or without mounting ears RM262, RM282 Receptacle, right angle, with or without mounting ears
R-13	RM252, RM272 Plug, right angle, with or without mounting ears RM222, RM242 Receptacle, straight, crimp removable, with or without mounting ears
R-15	RM212, RM232 Plug, straight, with or without mounting ears RM222, RM242 Receptacle, straight, crimp removable, with or without mounting ears
R-18	RM222, RM242 Receptacle, straight, stackable or connector saver
R-18.1	RA2 Receptacle, straight with or without potting well or mounting ears
R-19	RM252, RM272 Board layout - plug, right angle RM212, RM232 Board layout - plug, straight
R-20	RM262, RM282 Board layout - receptacle, right angle RM222, RM242 Board layout - receptacle, straight
<b>3-Row Connectors - Board to Board, Board to Cable, Sizes: 11-206</b>	
R-21	RM352, RM372 Plug, right angle with or without mounting ears RM322, RM342 Receptacle, straight, with or without mounting ears
R-23	RM312, RM332 Plug, straight, with or without mounting ears RM362, RM382 Receptacle, right angle, with or without mounting ears
R-25	RM352, RM372 Plug, right angle, with or without mounting ears RM322, RM342 Receptacle, straight, crimp removable, with or without mounting ears
R-27	RM312, RM332 Plug, straight, with or without mounting ears RM322, RM342 Receptacle, straight, crimp removable, with or without mounting ears
R-29	RM312, RM332 Plug, straight, crimp removable, with or without mounting ears RM322, RM342 Receptacle, straight, crimp removable, with or without mounting ears
R-31	RM312, RM332 Plug, straight, crimp removable, with or without mounting ears RM322, RM342 Receptacle, straight, with or without mounting ears
R-33	RA3 Plug, straight, with or without potting well or mounting ears
R-33.2	RA3 Receptacle, straight, with or without potting well or mounting ears
R-33.4	RA RA Assembly instructions, crimp instructions and crimp accessories
R-34	RM322, RM342 Receptacle, straight, stackable or connector saver
R-35	RM352, RM372 Board layout - plug, right angle RM312, RM332 Board layout - plug, straight
R-36	RM362, RM382 Board layout - receptacle, right angle RM322, RM342 Board layout - receptacle, straight
R-38	Guide hardware, polarization chart, 2 & 3 row
R-39	Contacts, 2 & 3 row
R-40	Military cross reference chart, 2 & 3 row
R-41	Jacksets and guide sets, 2 & 3 row
<b>4-Row Connectors - Board to Board, Board to Cable, Sizes: 86-300</b>	
R-43	RM452 Plug, right angle, with mounting ears RM422 Receptacle, straight, with mounting ears
R-45	RM412 Plug, straight, with mounting ears RM462 Receptacle, right angle, with mounting brackets
R-47	RM412 Plug, surface mount, with mounting ears RM422 Receptacle, straight, with mounting ears
R-49	RM412 Plug, right angle, with mounting ears RM422 Receptacle, straight, crimp removable, without mounting ears

-- Continued on next page

## Contents

-- Continued from previous page

R-51	RM412	Plug, straight, crimp removable, with or without mounting ears
	RM462	Receptacle, right angle, with mounting ears
R-53	RM452	Board layout - plug, right angle
	RM412	Board layout - plug, straight
R-54	RM462	Board layout - receptacle, right angle
	RM422	Board layout - receptacle, straight
R-55	RM412	Board layout - plug, straddle mount SMT, with mounting ears
R-56	RM412	Configuration chart - plug, straddle mount SMT
R-57	RM4	Polarization chart - guide hardware
R-58	RM4	Contacts, 4 row
<b>6-Row Connectors - PC Card SMT to Board, Sizes: 162-402</b>		
R-59	RM672	Plug, right angle, with mounting ears
	RM642	Receptacle, straight, with mounting ears
R-61	RM632	Plug, straight, with mounting ears
	RM682	Receptacle, right angle, with mounting brackets
R-63	RM632	Plug, surface mount, with mounting ears
	RM642	Receptacle, straight, with mounting ears
R-65	RM672	Board layout - plug, right angle
	RM632	Board layout - plug, straight
R-66	RM682	Board layout - receptacle, right angle
	RM642	Board layout - receptacle, straight
R-67	RM632	Board layout - plug, straddle mount SMT, with mounting ears
<b>6-Row Connectors - PC Card SMT to Board, Sizes: 448 &amp; 604</b>		
R-69	RM652	Plug, right angle, with mounting ears
	RM622	Receptacle, straight, with mounting ears
R-71	RM612	Plug, straight, with mounting ears
	RM662	Receptacle, right angle, with mounting brackets
R-73	RM612	Plug, surface mount, with mounting ears
	RM622	Receptacle, straight, with mounting ears
R-75	RM652	Board layout - plug, right angle
	RM612	Board layout - plug, straight
R-76	RM662	Board layout - receptacle, right angle
	RM622	Board layout - receptacle, straight
R-77	RM612	Board layout - plug, straddle mount SMT, with mounting ears
R-78	RM6	Contacts, 6 row
<b>4-Row Connectors - Press fit, Stackable, Sizes: 28-300</b>		
R-79	RC422, RC442	Specifications, Stackable Compliant Pin Connectors
R-80	RC422, RC442	Performance, Stackable Compliant Pin Connectors
R-81	RC422, RC442	Receptacle, standard and low profile
R-82	RC422, RC442	Part number build-up
R-82.1	RC4C2	Plug, with potting well, stranded wire
R-82.2	RC4C2	Part number build-up
R-83	RC422, RC442	Typical applications
R-83.1	RC4C2	Press fit stackable with cable mate
R-84	RC422, RC442	Board layout

## Specifications

### Materials and Finishes \*

<b>Pin Contacts:</b>	BeCu, per ASTM-B196, ASTM B 197/B 197M-, or brass alloy per ASTM B 16/B 16M or ASTM-B134
<b>Socket Contacts:</b>	BeCu per ASTM-B194 and/or ASTM-B196, ASTM B 197/B 197M-, or brass per ASTM B 16/B 16M or ASTM-B134
<b>Contact Finish:</b>	Gold plate per ASTM B 488-, SAE AMS 2422, or localized finish per MIL-C-55302
<b>Solder:</b>	Sn/Pb Alloy - 63% Tin, 37% Lead composition (☒). SAC305 - 96.5% Tin, 3.0% Silver, 0.5% Copper composition.
<b>Molded Insulators:</b>	Glass filled polyphenylene sulfide per MIL-M-24519, Type GST-40F
<b>Jackscrews:</b>	Stainless steel per ASTM A 582/A582M-, Passivated per ASTM-A967, SAE AMS-QQ-P-35
<b>Jacksockets:</b>	Stainless steel per ASTM A 582/A582M-, Passivated per ASTM-A967, SAE AMS-QQ-P-35
<b>Jackscrew Knobs:</b>	Stainless steel per ASTM A 582/A582M-, Passivated per ASTM-A967, SAE AMS-QQ-P-35
<b>Guide Pins, Guide Sockets:</b>	Stainless steel per ASTM A 582/A582M-, Passivated per ASTM-A967, SAE AMS-QQ-P-35
<b>Guide Sockets, Polarized "D" type:</b>	BeCu per ASTM-B196, ASTM B 197/B 197M-, Nickel plated per SAE AMS-QQ-N-290
<b>Connector Markings:</b>	Contact numbers are stamped on the side of the connector. Numbers are stamped on the low-numbered side only on 2-row and 3-row right angle connectors
<b>Tolerances:</b>	Unless otherwise specified: Fractions = $\pm 1/64$ " Decimals = $\pm .010$ " Angles = $\pm 5^\circ$

Note: AirBorn can manufacture special configurations for your exact specifications.

\* = Reference the above listed specifications or an equivalent industry standard when applicable

☒ Symbolizes options that are not ROHS compliant.



## Performance Reference MIL-C-55302

<b>Contact Rating:</b>	3-amperes (2 amperes for .016 diameter)
<b>Solderability:</b>	Terminals (except wire wrap <sup>®</sup> , crimp and stackables) tested in accordance with MIL-STD-202, Method 208
<b>Wire Size:</b>	Stranded #26 AWG
<b>Operating Temperature:</b>	-65° to +125° C or -85° to +257° F

<u>Category:</u>	<u>Requirements:</u>	<u>Test Method Per:</u> <u>SAE AS 13441</u>
<b>Test Voltage:</b>	750 V, RMS, 60 Hz @ sea level 250 V, RMS, 60 Hz @ 70,000 feet	#3001
<b>Insulation Resistance:</b>	5,000 megohms minimum @ 500 VDC	#3003
<b>Durability:</b>	500 connector mating cycles	
<b>Vibration:</b>	Mated connectors, Test condition III	#2005
<b>Salt Spray:</b>	Mated connectors, Test condition B	#1001
<b>Shock:</b>	Mated connectors, Test condition G	#2004
<b>Humidity:</b>	Test Type II, except steps 7A and 7B not required	#1002
<b>Temperature Cycling:</b>	Mated connectors, Test condition A	#1003
<b>Contact Resistance:</b>	.015 ohms max (interface measurement) @ 3 amperes	#3004
<b>Connector Mating Force:</b>	2.50 oz. x number of contacts average	
<b>Outgassing:</b>	The entire connector assembly shall have maximum total mass loss (TML) of 1.0 percent of the original specimen mass and shall have a maximum volatile condensable material (VCM) content of 0.1 percent of the original specimen mass.	
<b>Sizes 50 and larger:</b>	Upon engagement, center area of mating faces may remain open .010" to .025" due to slight flexing of molding. Vibration or shock should provide complete closure.	
<b>Guides and Jacks:</b>	If location of pin or socket contacts is reversed, location of male and female guides or jacks is also reversed; except when using "D" shaped polarized guides.  When polarized positions are changed, apply Loctite <sup>®</sup> 242-12 or equivalent to threads.	

## Part Number Description

Each part number consists of at least five elements: series, body description, size (number of contacts), type of contacts, and type of hardware. A sixth element is added whenever special modifications or options are available.

Each catalog page shows the choices available for each of these elements. By selecting one option from each category on the page, you can build a set of connectors to meet your requirements.

Each element is identified by a combination of letters and/or numbers in fixed field lengths, and separated by a hyphen (-). Each space must be filled in to complete the number. When the size, for example, is less than 100, indicate as 010, 080, etc.

### **Series:**

This will always be a two letter designator, and will identify the connector series. All .075" connectors begin with the letter "R". The second letter designates the various styles of .075" connectors.

### **Body:**

Each digit of the Body Designator will normally identify (1) the number of rows, (2) the style of body, and (3) the body materials. The three digit number to identify the body consists of one digit from each group.

### **Size:**

The size is determined by the number of contacts in the connector, and is an integral part of the part number. Order only sizes shown on the catalog page unless otherwise noted.

### **Contacts:**

Each page also identifies all contact options for a given connector. The first two digits designate the type of contacts and terminations; the third digit designates the plating option.

### **Hardware:**

The hardware designator is four digits; two for style of hardware and two for polarization or wiring instruction. Follow the choices for each connector.

### **Special Instructions (Options):**

Special instructions are referenced by a three digit number added to the end of the part number. The last three digits are included only when applicable. AirBorn, Inc. will provide individual code numbers as needed.

### **Note:**

Each page is as comprehensive as possible. However, if you do not find a particular connector size or option, please contact the factory for further assistance.

Symbolizes options that are not RoHS compliant.

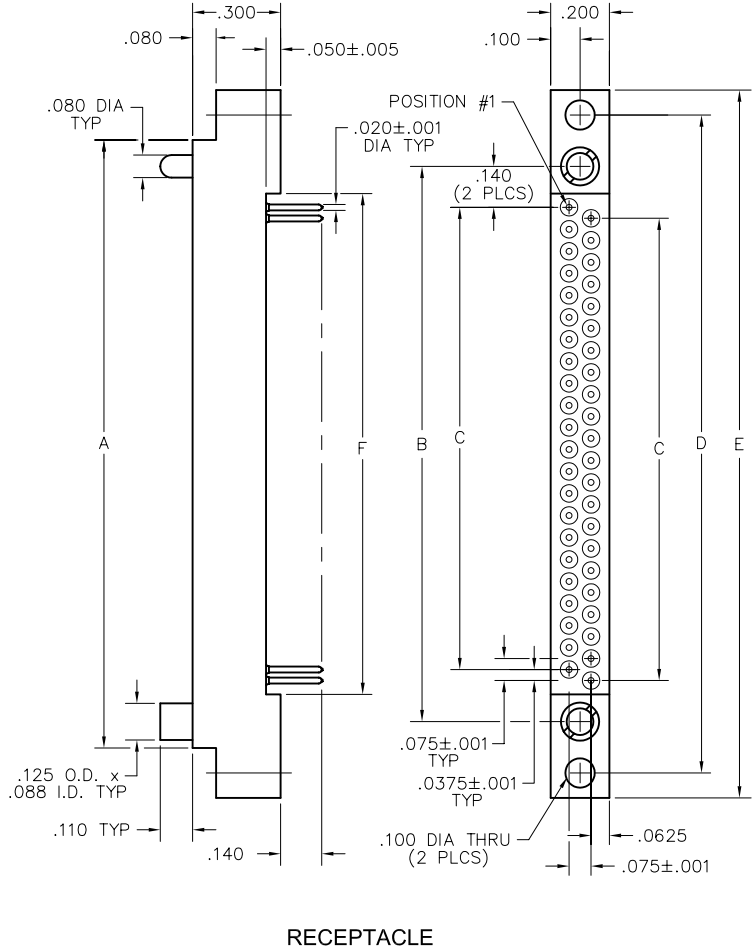
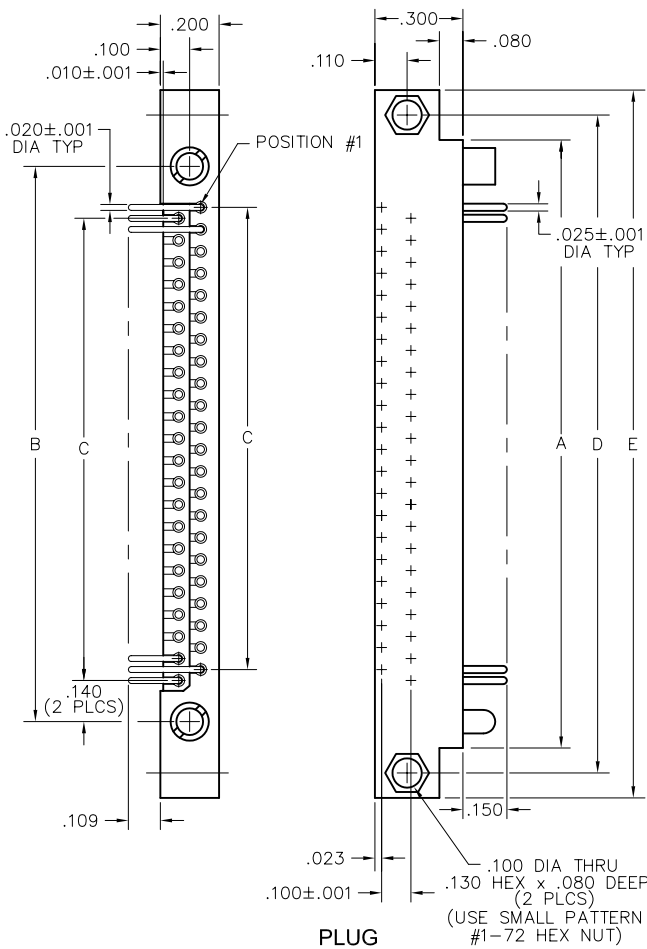
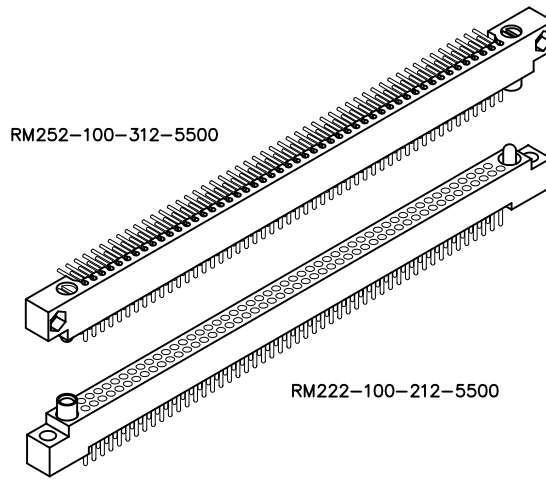


# 2 · ROW Daughterboard to Motherboard or Chassis

.075"

**RM2**

10 thru 100 Contacts



PLUG

RECEPTACLE

DIMENSIONS						
SIZE	A	B	C	D	E	F
10	.797	.617	.300	.967	1.137	.432
20	1.172	.992	.675	1.342	1.512	.807
30	1.547	1.367	1.050	1.717	1.887	1.182
40	1.922	1.742	1.425	2.092	2.262	1.557
50	2.297	2.117	1.800	2.467	2.637	1.932
60	2.672	2.492	2.175	2.842	3.012	2.307
70	3.047	2.867	2.550	3.217	3.387	2.682
80	3.422	3.242	2.925	3.592	3.762	3.057
90	3.797	3.617	3.300	3.967	4.137	3.432
100	4.172	3.992	3.675	4.342	4.512	3.807



**PLUG:** RM252-100-312-5500  
**RECEPTACLE:** RM222-100-212-5500  
 XXXXX-XXX-XXX-XXXXXX

**PLUG**

**RECEPTACLE**

SERIES	
RM .075" Screw Machine PC Connector	RM .075" Screw Machine PC Connector

BODY	
2 2-Row	2 2-Row
BODY STYLE: 5 Plug, right angle, with mounting ears 7 Plug, right angle, without mounting ears	BODY STYLE: 2 Receptacle, straight with mounting ears 4 Receptacle, straight without mounting ears

BODY MATERIAL:	
2 Polyphenylene sulfide (PPS)	2 Polyphenylene sulfide (PPS)

SIZE	
010, 020, 030, 040, 050, 060, 070, 080, 090, 100	010, 020, 030, 040, 050, 060, 070, 080, 090, 100

**CONTACTS**

TYPE CONTACTS/TERMINATIONS:	TYPE CONTACTS/TERMINATIONS:
31 Pin, right angle, dip solder, .109" x .020" dia	20 Socket, straight, dip solder, .109" x .020 dia
32 Pin, right angle, dip solder, .140" x .020" dia	21 Socket, straight, dip solder, .140" x .020 dia
33 Pin, right angle, dip solder, .172" x .020" dia	22 Socket, straight, dip solder, .172" x .020 dia
34 Pin, right angle, dip solder, .109" x .016" dia	23 Socket, straight, dip solder, .250" x .020 dia
35 Pin, right angle, dip solder, .140" x .016" dia	24 Socket, straight, solder cup
36 Pin, right angle, dip solder, .172" x .016" dia	25 Socket, straight, flex circuit, .093" x .017 dia
37 Pin, right angle, dip solder, .250" x .020" dia	26 Socket, straight, wire wrap®, .500" x .018 square
	27 Socket, straight, wire wrap®, .375" x .018 square
	28 Socket, straight, wire wrap®, .625" x .018 square
	29 Socket, connector saver, .150" x .025" dia
	50 Socket, straight, dip solder, .140" x .016" dia
	51 Socket, straight, dip solder, .172" x .016" dia
	53 Socket, straight, stackable, .212" x .025" dia
	54 Socket, straight, stackable, .244" x .025" dia
	55 Socket, straight, stackable, .275" x .025" dia
	64 Socket, straight, press fit, .203" (Board .093"-.125" thk)
	65 Socket, straight, press fit, .323" (Board .156"-.200" thk)
	66 Socket, straight, press fit, .403" (Board .250"+ thk)

PLATING OPTIONS:	PLATING OPTIONS:
1 Gold plated termination	1 Gold plated termination
2 Pre-tinned termination, SnPb alloy <input checked="" type="checkbox"/>	2 Pre-tinned termination, SnPb alloy (dip solder options only) <input checked="" type="checkbox"/>
3 Pre-tinned termination, SAC305 alloy	3 Pre-tinned termination, SAC305 alloy (dip solder options only)

**HARDWARE**

STYLE OF HARDWARE: (See R-41 & R-42 for all options)	STYLE OF HARDWARE: (See R-41 & R-42 for all options)
0256 None	0256 None
55 Guide set	55 Guide set
57 Two guide pins	57 Two guide pins
58 Two guide sockets	58 Two guide sockets
29 Fixed jackset	29 Fixed jackset
30 Fixed jackset, reversed	30 Fixed jackset, reversed
19 Two fixed jackscrews	19 Two fixed jackscrews
20 Two fixed jacksockets	20 Two fixed jacksockets
59 Hex turning jackset, .200"	59 Hex turning jackset, .200"
60 Hex turning jackset, reversed, .200"	60 Hex turning jackset, reversed, .200"
61 Two hex turning jackscrews, .200"	61 Two hex turning jackscrews, .200"
62 Two hex turning jacksockets, .200"	62 Two hex turning jacksockets, .200"
64 Turning jackset, .490"	64 Turning jackset, .490"
65 Turning jackset, reversed, .490"	65 Turning jackset, reversed, .490"
66 Two turning jackscrews, .490"	66 Two turning jackscrews, .490"
67 Two turning jacksockets, .490"	67 Two turning jacksockets, .490"

POLARIZATION:	POLARIZATION
00 None	00 None
01 thru 68 are special identifiers, see R-38	01 thru 68 are special identifiers, see R-38
70 Same configuration as 01 without Loctite® (To be keyed by customer)	70 Same configuration as 01 without Loctite® (To be keyed by customer)

**OPTIONS**

BN Bond #1-72 small pattern hex nuts into mounting ears

= Option not RoHS compliant



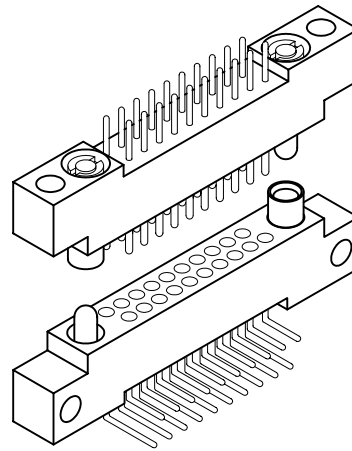
# 2 • ROW Motherboard or Chassis to Daughterboard

.075"

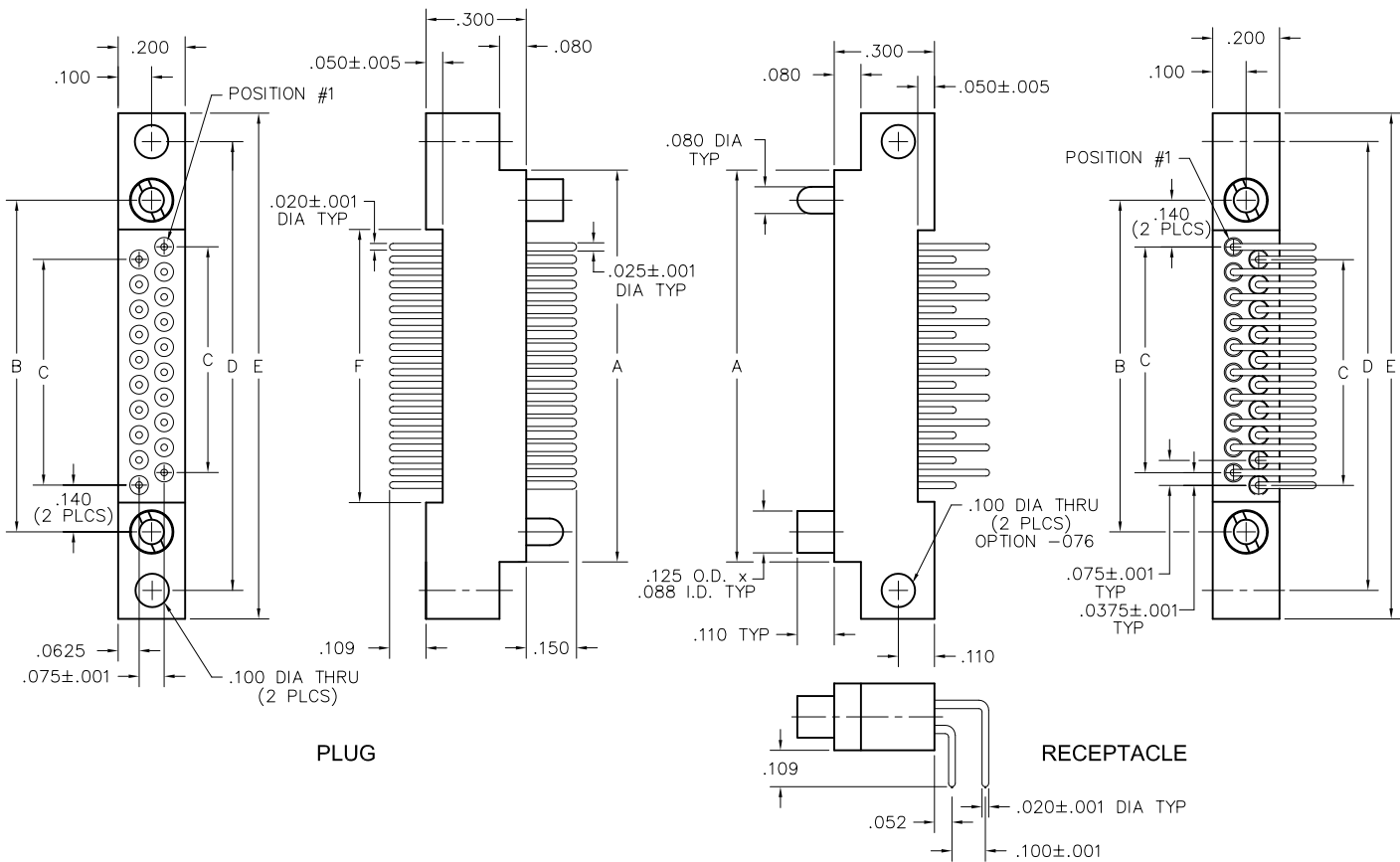
**RM2**

10 thru 100 Contacts

RM212-020-102-5500



RM262-020-442-5500-076



SIZE	DIMENSIONS					
	A	B	C	D	E	F
10	.797	.617	.300	.967	1.137	.442
20	1.172	.992	.675	1.342	1.512	.817
30	1.547	1.367	1.050	1.717	1.887	1.192
40	1.922	1.742	1.425	2.092	2.262	1.567
50	2.297	2.117	1.800	2.467	2.637	1.942
60	2.672	2.492	2.175	2.842	3.012	2.317
70	3.047	2.867	2.550	3.217	3.387	2.692
80	3.422	3.242	2.925	3.592	3.762	3.067
90	3.797	3.617	3.300	3.967	4.137	3.442
100	4.172	3.992	3.675	4.342	4.512	3.817

**PLUG:** RM212-020-102-5500  
**RECEPTACLE:** RM262-020-442-5500-076  
 XXXXX-XXX-XXX-XXXX-XXX

**PLUG**

**RECEPTACLE**

**SERIES**

RM .075" Screw Machine PC Connector | RM .075" Screw Machine PC Connector

**BODY**

2 2-Row | 2 2-Row

**BODY STYLE:**  
 1 Plug, straight, with mounting ears | 6 Receptacle, right angle, with mounting ears  
 3 Plug, straight, without mounting ears | 8 Receptacle, right angle, without mounting ears

**BODY MATERIAL:**  
 2 Polyphenylene sulfide (PPS) | 2 Polyphenylene sulfide (PPS)

**SIZE**

010, 020, 030, 040, 050, 060, 070, 080, 090, 100 | 010, 020, 030, 040, 050, 060, 070, 080, 090, 100

**CONTACTS**

**TYPE CONTACTS/TERMINATIONS:**  
 10 Pin, straight, dip solder, .109" x .020" dia | 44 Socket, right angle, dip solder, .109" x .020" dia  
 11 Pin, straight, solder cup | 45 Socket, right angle, dip solder, .140" x .020" dia  
 12 Pin, straight, dip solder, .140" x .020" dia | 46 Socket, right angle, dip solder, .172" x .020" dia  
 13 Pin, straight, dip solder, .172" x .020" dia | 47 Socket, right angle, dip solder, .250" x .020" dia  
 14 Pin, straight, dip solder, .250" x .020" dia  
 15 Pin, straight, flex, .093" x .017" dia

**PLATING OPTIONS:**  
 1 Gold plated termination | 1 Gold plated termination  
 2 Pre-tinned termination, SnPb alloy (dip solder options only)  | 2 Pre-tinned termination, SnPb alloy   
 3 Pre-tinned termination, SAC305 alloy (dip solder options only) | 3 Pre-tinned termination, SAC305 alloy

**HARDWARE**

**STYLE OF HARDWARE:**  
 (See R-41 & R-42 for all options)  
 0256 None | 0256 None  
 55 Guide set | 55 Guide set  
 57 Two guide pins | 57 Two guide pins  
 58 Two guide sockets | 58 Two guide sockets  
 29 Fixed jackset | 29 Fixed jackset  
 30 Fixed jackset, reversed | 30 Fixed jackset, reversed  
 19 Two fixed jackscrews | 19 Two fixed jackscrews  
 20 Two fixed jacksockets | 20 Two fixed jacksockets  
 59 Hex turning jackset, .200" | 59 Hex turning jackset, .200"  
 60 Hex turning jackset, reversed, .200" | 60 Hex turning jackset, reversed, .200"  
 61 Two hex turning jackscrews, .200" | 61 Two hex turning jackscrews, .200"  
 62 Two hex turning jacksockets, .200" | 62 Two hex turning jacksockets, .200"  
 64 Turning jackset, .490" | 64 Turning jackset, .490"  
 65 Turning jackset, reversed, .490" | 65 Turning jackset, reversed, .490"  
 66 Two turning jackscrews, .490" | 66 Two turning jackscrews, .490"  
 67 Two turning jacksockets, .490" | 67 Two turning jacksockets, .490"

**POLARIZATION:**  
 00 None | 00 None  
 01 thru 68 are special identifiers, see R-38 | 01 thru 68 are special identifiers, see R-38  
 70 Same configuration as 01 without Loctite® (To be keyed by customer) | 70 Same configuration as 01 without Loctite® (To be keyed by customer)

**OPTIONS**

| 076 PWB mounting holes, .100" dia (cross drilled)

= Option not RoHS compliant

**Ask About AirBorn's Accelerated Delivery Service**



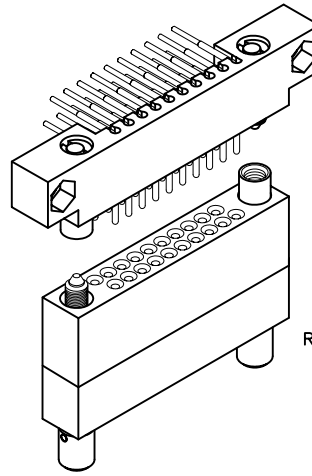
# 2 · ROW Board to Crimp Removable

.075"

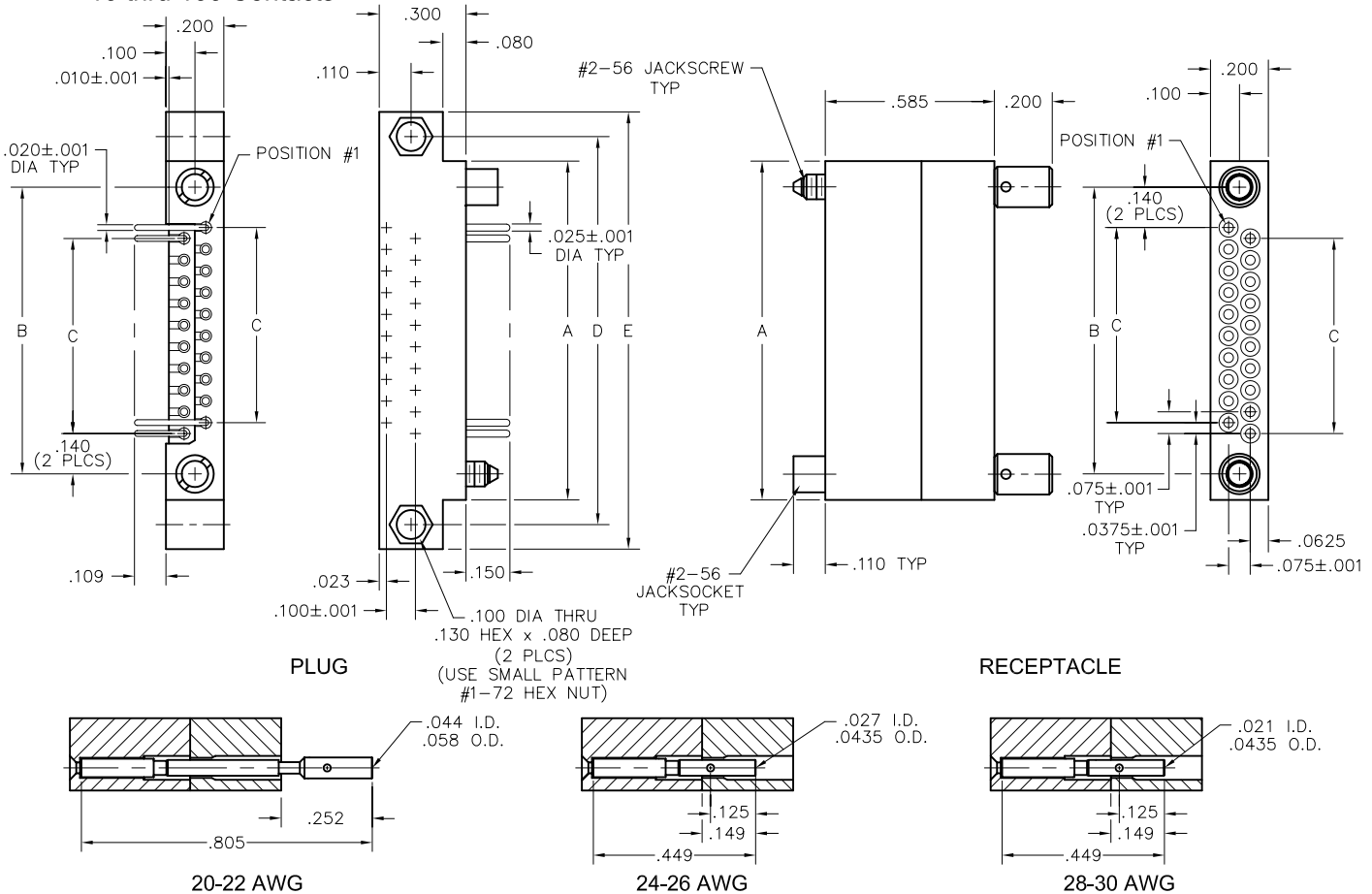
**RM2**

10 thru 100 Contacts

RM252-020-311-2900



RM242-020-581-5900



**NOTE:**

When using crimp contacts with 20 gage barrel, barrel must be cut off prior to removing contact from connector body.

CRIMP REMOVABLE CONTACTS	
SIZE	PART NUMBER
20-22 AWG	RM200-000-571-0000
24-26 AWG	RM200-000-581-0000
28-30 AWG	RM200-000-591-0000

DIMENSIONS					
SIZE	A	B	C	D	E
10	.797	.617	.300	.967	1.137
20	1.172	.992	.675	1.342	1.512
30	1.547	1.367	1.050	1.717	1.887
40	1.922	1.742	1.425	2.092	2.262
50	2.297	2.117	1.800	2.467	2.637
60	2.672	2.492	2.175	2.842	3.012
70	3.047	2.867	2.550	3.217	3.387
80	3.422	3.242	2.925	3.592	3.762
90	3.797	3.617	3.300	3.967	4.137
100	4.172	3.992	3.675	4.342	4.512

**PLUG:** RM252-020-311-2900  
**RECEPTACLE:** RM242-020-581-5900  
 XXXXX-XXX-XXX-XXXXXX

**PLUG**

**RECEPTACLE**

**SERIES**

RM .075" Screw Machine PC Connector | RM .075" Screw Machine PC Connector

**BODY**

2	2-Row	2	2-Row
<b>BODY STYLE:</b>		<b>BODY STYLE:</b>	
5	Plug, right angle, with mounting ears	2	Receptacle, straight, with mounting ears
7	Plug, right angle, without mounting ears	4	Receptacle, straight, without mounting ears

**BODY MATERIAL:**

2 Polyphenylene sulfide (PPS) | 2 Polyphenylene sulfide (PPS)

**SIZE**

010, 020, 030, 040, 050, 060, 070, 080, 090, 100 | 010, 020, 030, 040, 050, 060, 070, 080, 090, 100

**CONTACTS**

<b>TYPE CONTACTS/TERMINATIONS:</b>		<b>TYPE CONTACTS/TERMINATIONS:</b>	
31	Pin, right angle, dip solder, .109" x .020" dia	00	Contacts not supplied
32	Pin, right angle, dip solder, .140" x .020" dia	57	Socket, straight, crimp removable (20-22 AWG)*
33	Pin, right angle, dip solder, .172" x .020" dia	58	Socket, straight, crimp removable (24-26 AWG)*
34	Pin, right angle, dip solder, .109" x .016" dia	59	Socket, straight, crimp removable (28-30 AWG)*
35	Pin, right angle, dip solder, .140" x .016" dia		
36	Pin, right angle, dip solder, .172" x .016" dia		
37	Pin, right angle, dip solder, .250" x .020" dia		

<b>PLATING OPTIONS:</b>		<b>PLATING OPTIONS:</b>	
1	Gold plated termination	0	No plating (use with Contact Option "00" only)
2	Pre-tinned termination, SnPb alloy <input checked="" type="checkbox"/>	1	Gold plated termination
3	Pre-tinned termination, SAC305 alloy		

**HARDWARE**

<b>STYLE OF HARDWARE:</b> (See R-41 & R-42 for all options)		<b>STYLE OF HARDWARE:</b> (See R-41 & R-42 for all options)	
0256	None	0256	None
55	Guide set	55	Guide set
57	Two guide pins	57	Two guide pins
58	Two guide sockets	58	Two guide sockets
29	Fixed jackset	29	Fixed jackset
30	Fixed jackset, reversed	30	Fixed jackset, reversed
19	Two fixed jackscrews	19	Two fixed jackscrews
20	Two fixed jacksockets	20	Two fixed jacksockets
59	Hex turning jackset, .200" knob	59	Hex turning jackset, .200" knob
60	Hex turning jackset, reversed, .200" knob	60	Hex turning jackset, reversed, .200" knob
61	Two hex turning jackscrews, .200" knob	61	Two hex turning jackscrews, .200" knob
62	Two hex turning jacksockets, .200" knob	62	Two hex turning jacksockets, .200" knob
64	Turning jackset, .490" knob	64	Turning jackset, .490" knob
65	Turning jackset, reversed, .490" knob	65	Turning jackset, reversed, .490" knob
66	Two turning jackscrews, .490" knob	66	Two turning jackscrews, .490" knob
67	Two turning jacksockets, .490" knob	67	Two turning jacksockets, .490" knob

<b>POLARIZATION:</b>		<b>POLARIZATION</b>	
00	None	00	None
01	thru 68 are special identifiers, see R-38	01	thru 68 are special identifiers, see R-38
70	Same configuration as 01 without Loctite® (To be keyed by customer)	70	Same configuration as 01 without Loctite® (To be keyed by customer)

**OPTIONS**

BN Bond #1-72, sm. pattern hex nuts into mtg. ears |

- \* Full compliment of crimp removable sockets packaged with connectors
- 1. Crimp tool - AirBorn part number: CDG4601, Mil Spec number M22520/2-01
- 2. Crimp positioner - AirBorn part number: CDG4602 (24-26 AWG and 28-30 AWG); CDG4603 (20-22 AWG)
- 3. Crimp removal tool - AirBorn part number: CDG8161 (All AWGs)
- 4. Crimp contact part number on previous page.

= Option not RoHS compliant



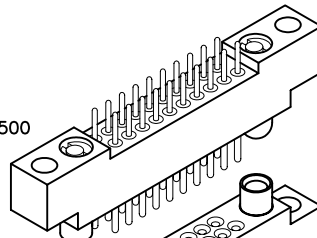
# 2 · ROW Cable or Board to Crimp Removable

.075"

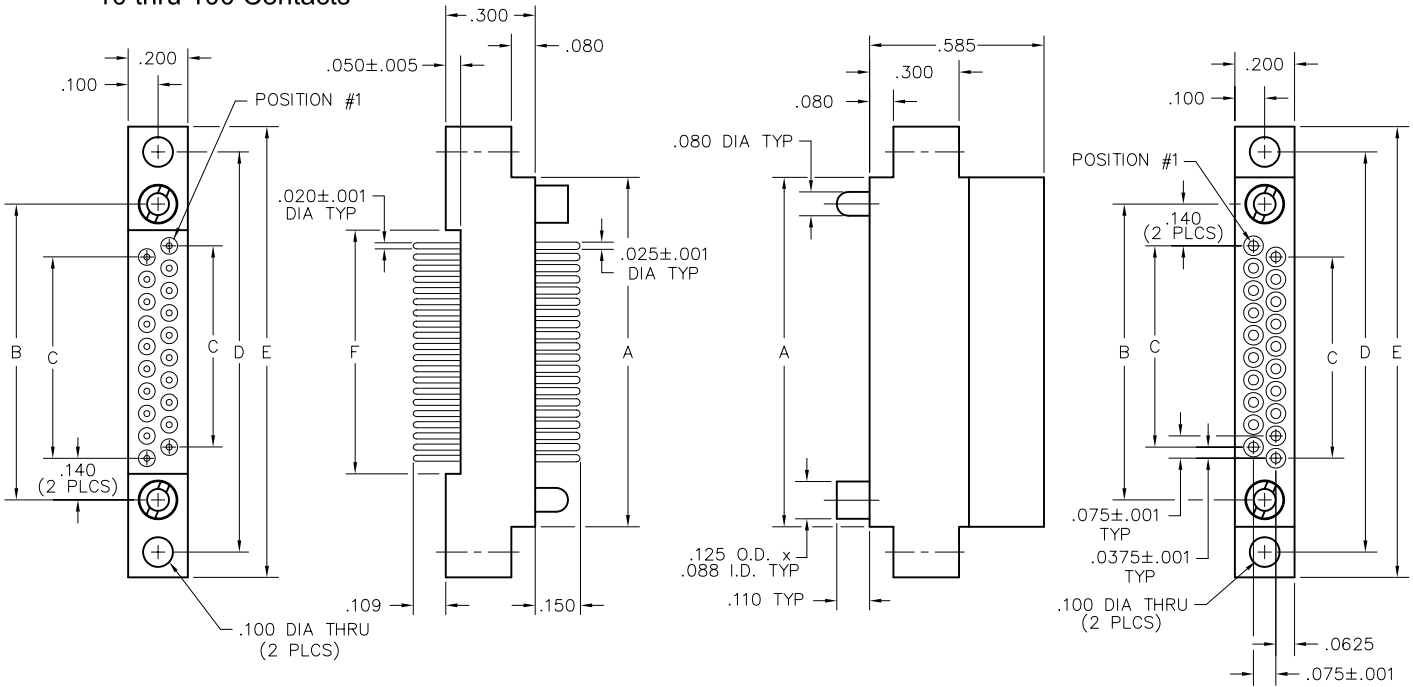
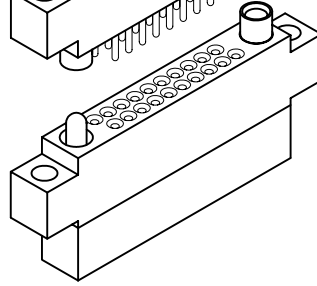
**RM2**

10 thru 100 Contacts

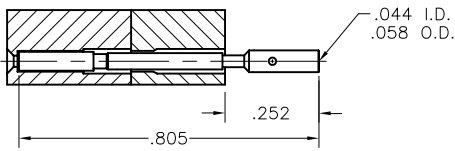
RM212-020-101-5500



RM222-020-581-5500

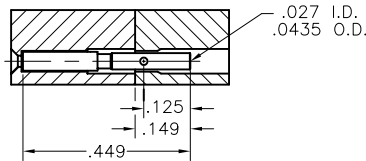


**PLUG**

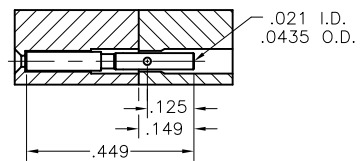


20-22 AWG

**RECEPTACLE**



24-26 AWG



28-30 AWG

**NOTE:**

When using crimp contacts with 20 gage barrel, barrel must be cut off prior to removing contact from connector body.

CRIMP REMOVABLE CONTACTS	
SIZE	PART NUMBER
20-22 AWG	RM200-000-571-0000
24-26 AWG	RM200-000-581-0000
28-30 AWG	RM200-000-591-0000

DIMENSIONS						
SIZE	A	B	C	D	E	F
10	.797	.617	.300	.967	1.137	.442
20	1.172	.992	.675	1.342	1.512	.817
30	1.547	1.367	1.050	1.717	1.887	1.192
40	1.922	1.742	1.425	2.092	2.262	1.567
50	2.297	2.117	1.800	2.467	2.637	1.942
60	2.672	2.492	2.175	2.842	3.012	2.317
70	3.047	2.867	2.550	3.217	3.387	2.692
80	3.422	3.242	2.925	3.592	3.762	3.067
90	3.797	3.617	3.300	3.967	4.137	3.442
100	4.172	3.992	3.675	4.342	4.512	3.817

**PLUG:** RM212-020-101-5500  
**RECEPTACLE:** RM222-020-581-5500  
 XXXXX-XXX-XXX-XXXX

**PLUG**

**RECEPTACLE**

**SERIES**

RM .075" Screw Machine PC Connector | RM .075" Screw Machine PC Connector

**BODY**

2 2-Row | 2 2-Row

<b>BODY STYLE:</b> 1 Plug, straight, with mounting ears 3 Plug, straight, without mounting ears	<b>BODY STYLE:</b> 2 Receptacle, straight, with mounting ears 4 Receptacle, straight, without mounting ears
---	---

<b>BODY MATERIAL:</b> 2 Polyphenylene sulfide (PPS)	<b>BODY MATERIAL:</b> 2 Polyphenylene sulfide (PPS)
--	--

**SIZE**

010, 020, 030, 040, 050, 060, 070, 080, 090, 100 | 010, 020, 030, 040, 050, 060, 070, 080, 090, 100

**CONTACTS**

<b>TYPE CONTACTS/TERMINATIONS:</b> 10 Pin, straight, dip solder, .109" x .020" dia 11 Pin, straight, solder cup 12 Pin, straight, dip solder, .140" x .020" dia 13 Pin, straight, dip solder, .172" x .020" dia 14 Pin, straight, dip solder, .250" x .020" dia 15 Pin, straight, flex, .093" x .017" dia	<b>TYPE CONTACTS/TERMINATIONS:</b> 00 Contacts not supplied 57 Socket, straight, crimp removable (20-22 AWG)* 58 Socket, straight, crimp removable (24-26 AWG)* 59 Socket, straight, crimp removable (28-30 AWG)*
---	---

<b>PLATING OPTIONS:</b> 1 Gold plated termination 2 Pre-tinned termination, SnPb alloy (dip solder options only) <input checked="" type="checkbox"/> 3 Pre-tinned termination, SAC305 alloy (dip solder options only)	<b>PLATING OPTIONS:</b> 0 No plating (use with Contact Option "00" only) 1 Gold plated termination
--	--

**HARDWARE**

<b>STYLE OF HARDWARE:</b> (See R-41 & R-42 for all options) 0256 None 55 Guide set 57 Two guide pins 58 Two guide sockets 29 Fixed jackset 30 Fixed jackset, reversed 19 Two fixed jackscrews 20 Two fixed jacksockets 59 Hex turning jackset, .200" 60 Hex turning jackset, reversed, .200" 61 Two hex turning jackscrews, .200" 62 Two hex turning jacksockets, .200" 64 Turning jackset, .490" 65 Turning jackset, reversed, .490" 66 Two turning jackscrews, .490" 67 Two turning jacksockets, .490"	<b>STYLE OF HARDWARE:</b> (See R-41 & R-42 for all options) 0256 None 55 Guide set 57 Two guide pins 58 Two guide sockets 29 Fixed jackset 30 Fixed jackset, reversed 19 Two fixed jackscrews 20 Two fixed jacksockets 59 Hex turning jackset, .200" 60 Hex turning jackset, reversed, .200" 61 Two hex turning jackscrews, .200" 62 Two hex turning jacksockets, .200" 64 Turning jackset, .490" 65 Turning jackset, reversed, .490" 66 Two turning jackscrews, .490" 67 Two turning jacksockets, .490"
---	---

<b>POLARIZATION:</b> 00 None 01 thru 68 are special identifiers, see R-38 70 Same configuration as 01 without Loctite® (To be keyed by customer)	<b>POLARIZATION</b> 00 None 01 thru 68 are special identifiers, see R-38 70 Same configuration as 01 without Loctite® (To be keyed by customer)
--	---

\* Full compliment of crimp removable sockets packaged with connectors  
 1. Crimp tool - AirBorn part number: CDG4601, Mil Spec number M22520/2-01  
 2. Crimp positioner - AirBorn part number: CDG4602 (24-26 AWG and 28-30 AWG)  
     CDG4603 (20-22 AWG)  
 3. Crimp removal tool - AirBorn part number: CDG8161 (All AWGs)  
 4. Crimp contact part number on previous page.  
 = Option not RoHS compliant

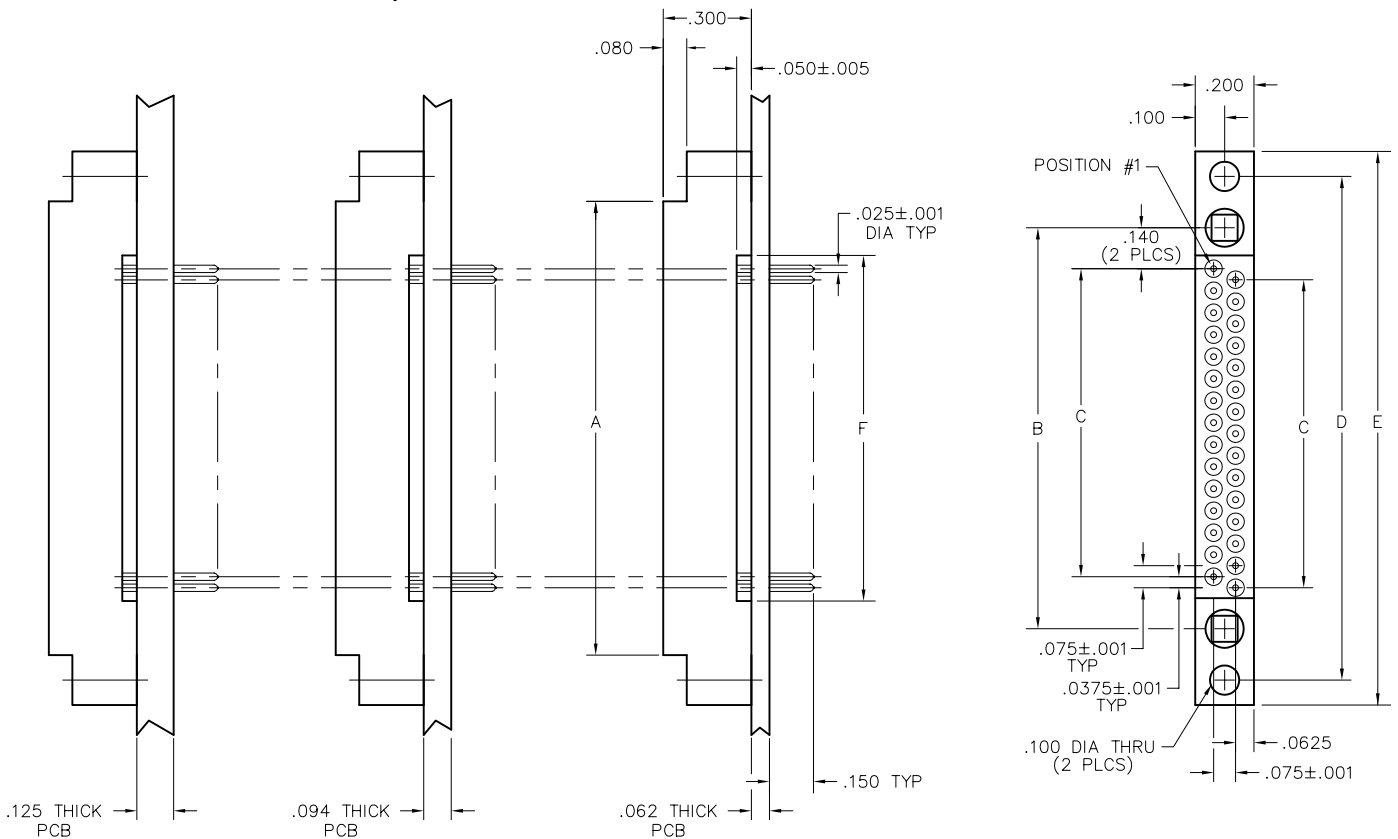
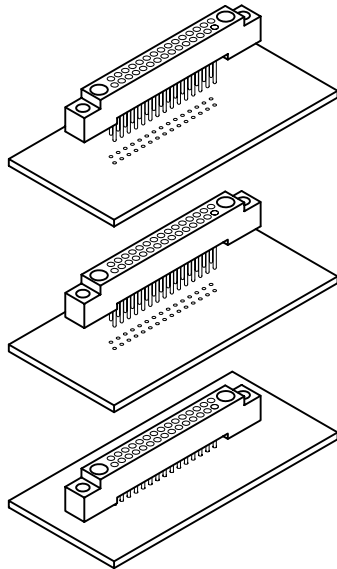


# 2 · ROW PC Board Stackable or Connector Saver

.075"

**RM2**

10 thru 100 Contacts



**NOTE:**  
Stacking connectors cannot have mating hardware.  
(-0256 indicates no hardware)

PC BOARD THICKNESS	TERMINATION LENGTH	PART NUMBER EXAMPLES
.062	.212	RM222-030-531-0256
.094	.244	RM222-030-541-0256
.125	.275	RM222-030-551-0256
CONNECTOR SAVER	.150	RM222-030-291-0256

DIMENSIONS						
SIZE	A	B	C	D	E	F
10	.797	.617	.300	.967	1.137	.442
20	1.172	.992	.675	1.342	1.512	.817
30	1.547	1.367	1.050	1.717	1.887	1.192
40	1.922	1.742	1.425	2.092	2.262	1.567
50	2.297	2.117	1.800	2.467	2.637	1.942
60	2.672	2.492	2.175	2.842	3.012	2.317
70	3.047	2.867	2.550	3.217	3.387	2.692
80	3.422	3.242	2.925	3.592	3.762	3.067
90	3.797	3.617	3.300	3.967	4.137	3.442
100	4.172	3.992	3.675	4.342	4.512	3.817

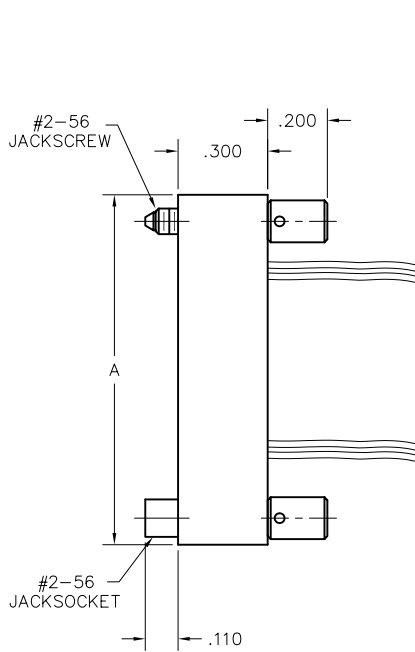
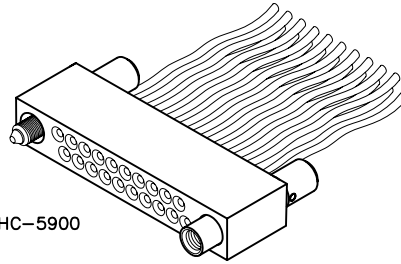
# 2 • ROW Crimped Wire I/O Receptacle

.075"

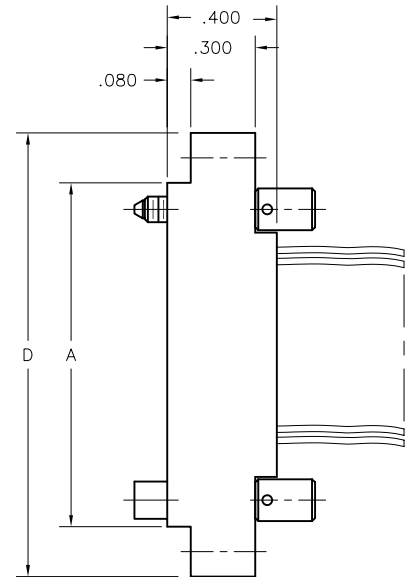
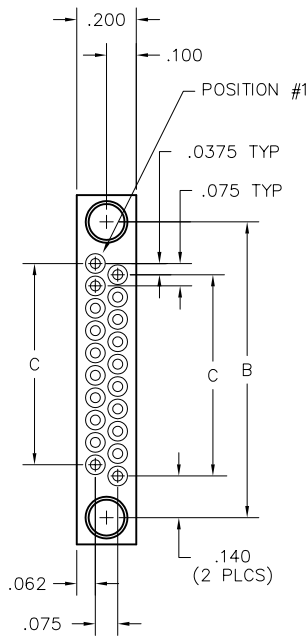
**RA2**

10 thru 100 Contacts

RA2H2-020-2HC-5900



RECEPTACLE WITHOUT  
MOUNTING EARS OR  
POTTING WELL



RECEPTACLE WITH  
MOUNTING EARS AND  
POTTING WELL

DIMENSIONS				
SIZE	A	B	C	D
10	.797	.617	.300	1.137
20	1.172	.992	.675	1.512
30	1.547	1.367	1.050	1.887
40	1.922	1.742	1.425	2.262
50	2.297	2.117	1.800	2.637
60	2.672	2.492	2.175	3.012
70	3.047	2.867	2.550	3.387
80	3.422	3.242	2.925	3.762
90	3.797	3.617	3.300	4.137
100	4.172	3.992	3.675	4.512

RA2 RECEPTACLE CONNECTORS MATE WITH:		
MATE	DESCRIPTION	PAGE
RM212	2 ROW STRAIGHT PLUG WITH EARS	R-11
RM232	2 ROW STRAIGHT PLUG WITHOUT EARS	R-11
RM252	2 ROW RIGHT ANGLE PLUG WITH EARS	R-13
RM272	2 ROW RIGHT ANGLE PLUG WITHOUT EARS	R-13

**REPLACEMENT CONTACTS:**

RA000-001-200-0000  
RA000-001-400-0000

SEE PAGE R-33.4 FOR CRIMP INSTRUCTIONS, CONTACT INSERTION AND CONTACT REMOVAL TOOLS.



RECEPTACLE: RA2H2-020-2HC-5900  
XXXXX-XXX-XXX-XXXX

<b>SERIES</b>	
RA .075" Screw Machine PC Connector	
<b>BODY</b>	
2 2-Row	
BODY STYLE:	
E	Receptacle, straight, w/ potting well, w/ mounting ears
F	Receptacle, straight, w/ potting well, w/out mounting ears
G	Receptacle, straight, w/out potting well, w/ mounting ears
H	Receptacle, straight, w/out potting well, w/out mounting ears
BODY MATERIAL:	
2	Polyphenylene sulfide (PPS)
<b>SIZE</b>	
010, 020, 030, 040, 050, 060, 070, 080, 090, 100	
<b>CONTACTS</b>	
TYPE CONTACTS/TERMINATIONS:	
2	Socket, crimp, 28-30 awg. contacts
4	Socket, crimp, 22-26 awg. contacts
WIRING OPTIONS:	
XX	Crimped terminations, see wiring codes at right
<b>HARDWARE</b>	
GUIDE HARDWARE	
0256	None
5500	Guide set
5501-5568	Guide set, polarized (see page R-38)
5570	Guide set, polarized, same as 5501 without Loctite® (to be keyed by customer)
5700	Two guide pins
5800	Two guide sockets
JACKING HARDWARE	
2900	Fixed jackset
3000	Fixed jackset, reversed
1900	Two fixed jackscrews
2000	Two fixed jacksockets
5900	Hex turning jackset, .200" knob
6000	Hex turning jackset, reversed, .200" knob
6100	Two hex turning jackscrews, .200" knob
6200	Two hex turning jacksockets, .200" knob
6400	Turning jackset, .490" knob
6500	Turning jackset, reversed, .490" knob
6600	Two turning jackscrews, .490" knob
6700	Two turning jacksockets, .490" knob

= Option not RoHS compliant

If potting well is used with a pre-wired connector, it will be potted and not repairable.  
If potting well is not used with a pre-wired connector, it will not be potted.  
Contacts that are not potted in place can be removed and replaced only one time.  
See page R-33.4 for crimp instructions, contact insertion and contact removal tools.

**WIRE CODES**

TYPE and COLOR			LENGTH	
Code	Size	Color	Code	Length (+1"/-0")
<b>Mil-W-16878/4</b>				
A	22 awg	Ten repeating	A	6"
B	22 awg	White	B	12"
C	24 awg	Ten repeating	C	18"
D	24 awg	White	D	24"
E	26 awg	Ten repeating	E	30"
F	26 awg	White	F	36"
G	28 awg	Ten repeating	G	42"
H	28 awg	White	H	48"
J	30 awg	Ten repeating	J	54"
K	30 awg	White	K	60"
			L	66"
			M	72"
<b>Mil-W-22759/33</b>				
L	22 awg	Ten repeating	N	84"
M	22 awg	White	P	96"
N	24 awg	Ten repeating	R	108"
P	24 awg	White	S	120"
R	26 awg	Ten repeating		
S	26 awg	White		
T	28 awg	Ten repeating		
U	28 awg	White		
V	30 awg	Ten repeating		
W	30 awg	White		

**USING WIRE CODES:**

RA2H2-020-2HC-5900

Type and Color  Length

**Color sequence for  
Ten repeating wire colors:**

(Beginning in position #1)

Black  
Brown  
Red  
Orange  
Yellow  
Green  
Blue  
Violet  
Grey  
White

Repeat this sequence until  
connector is fully loaded.

# 2 · ROW

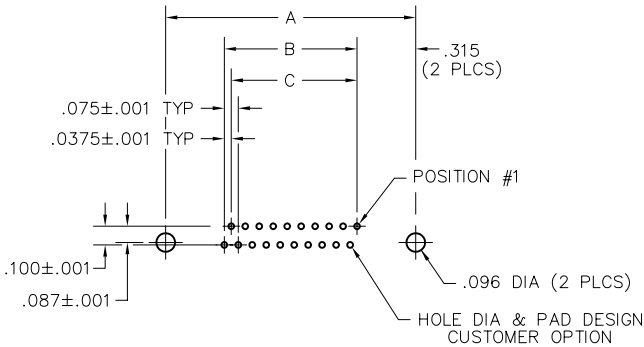
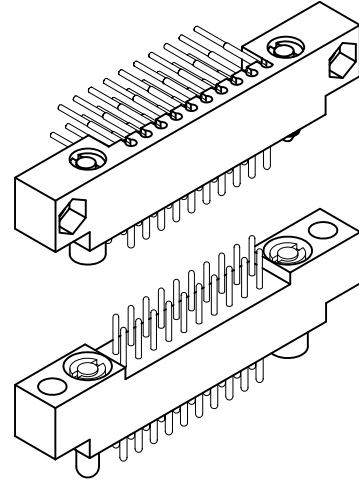
## Right Angle PTH Plug Straight PTH Plug

.075"

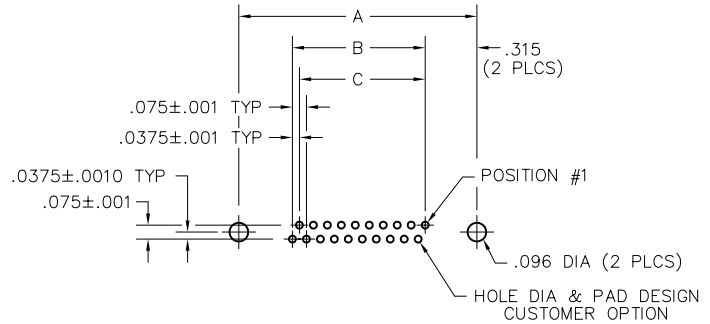
**RM2**

10 thru 100 Contacts  
Recommended  
Board Layout

DIMENSIONS			
SIZE	A	B	C
10	.967	.337	.300
20	1.342	.712	.675
30	1.717	1.087	1.050
40	2.092	1.462	1.425
50	2.467	1.837	1.800
60	2.842	2.212	2.175
70	3.217	2.587	2.550
80	3.592	2.962	2.925
90	3.967	3.337	3.300
100	4.342	3.712	3.675

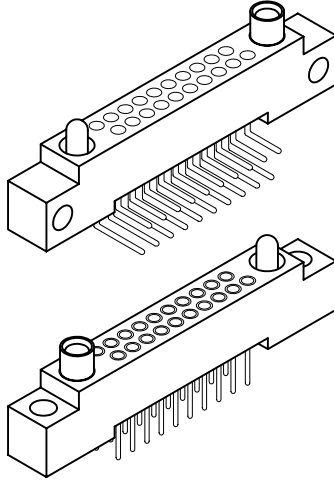


**RIGHT ANGLE PTH PLUG**  
PC BOARD VIEWED FROM COMPONENT SIDE



**STRAIGHT PTH PLUG**  
PC BOARD VIEWED FROM COMPONENT SIDE

SIZE	CONTACT ID	SIZE	CONTACT ID
10		60	
20		70	
30		80	
40		90	
50		100	



DIMENSIONS			
SIZE	A	B	C
10	.967	.337	.300
20	1.342	.712	.675
30	1.717	1.087	1.050
40	2.092	1.462	1.425
50	2.467	1.837	1.800
60	2.842	2.212	2.175
70	3.217	2.587	2.550
80	3.592	2.962	2.925
90	3.967	3.337	3.300
100	4.342	3.712	3.675

## 2 • ROW

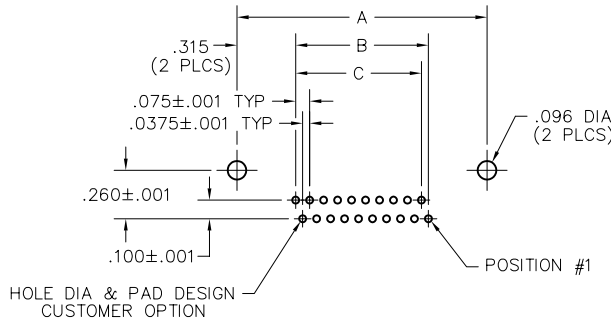
### Right Angle PTH Rcpt

### Straight PTH Rcpt

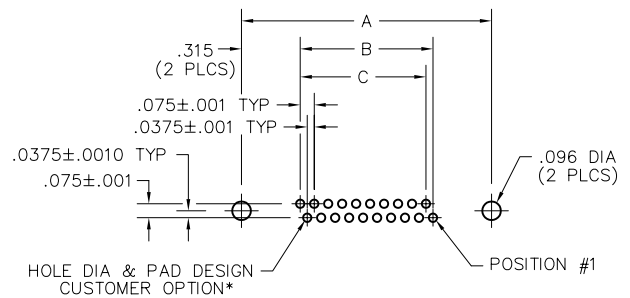
.075"

**RM2**

10 thru 100 Contacts  
Recommended  
Board Layout



**RIGHT ANGLE PTH RECEPTACLE**  
PC BOARD VIEWED FROM COMPONENT SIDE



**STRAIGHT PTH RECEPTACLE**  
PC BOARD VIEWED FROM COMPONENT SIDE

\*COMPLIANT TERMINATION REQUIREMENTS:  
Board Material: FR-4 w/ 1.0 oz. copper  
Minimum nominal board thickness: .062"  
Drilled hole: .0319"-.0339"  
Copper plating thickness: .0010" minimum  
Tin-lead plating thickness: .0006" maximum  
Electroplated tin-lead composition: 63/37 (Sn/Pb)  
Finished hole diameter: .028"±.002"

SIZE	CONTACT ID	SIZE	CONTACT ID
10		60	
20		70	
30		80	
40		90	
50		100	

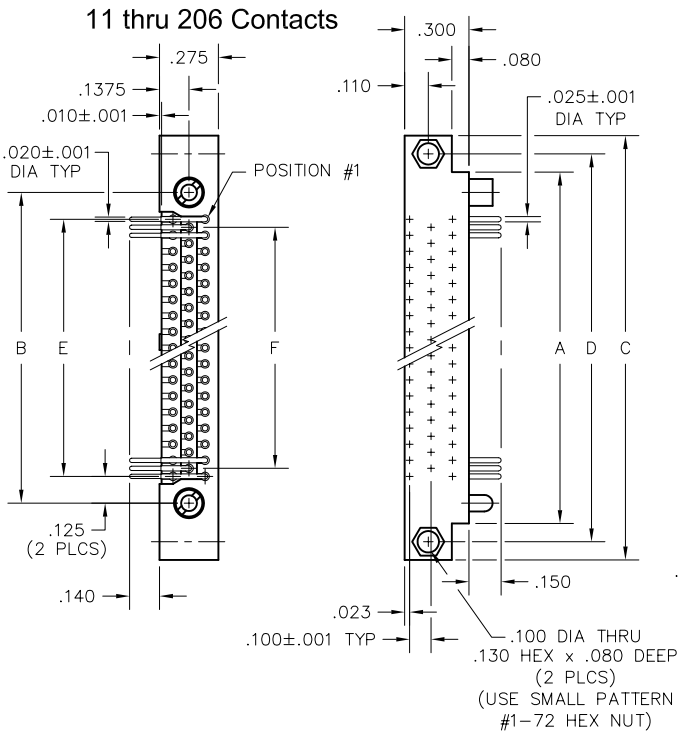
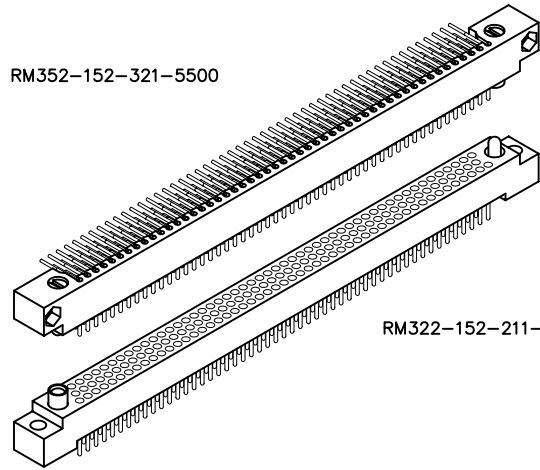
# 3 • ROW Daughterboard to Motherboard or Chassis

.075"

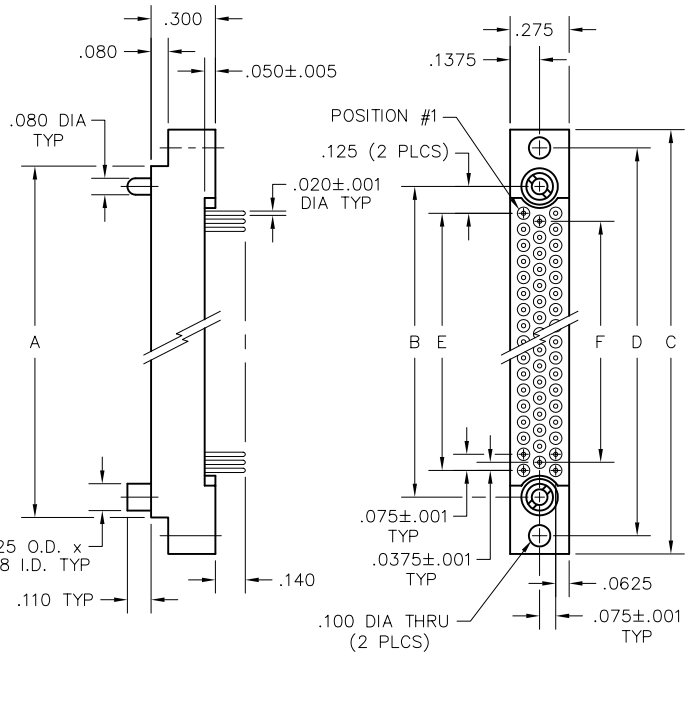
**RM3**

RM352-152-321-5500

RM322-152-211-5500



PLUG



RECEPTACLE

DIMENSIONS						
SIZE	A	B	C	D	E	F
11	.665	.475	1.005	.835	.225	.150
23	.965	.775	1.305	1.135	.525	.450
35	1.265	1.075	1.605	1.435	.825	.750
47	1.565	1.375	1.905	1.735	1.125	1.050
59	1.865	1.675	2.205	2.035	1.425	1.350
71	2.165	1.975	2.505	2.335	1.725	1.650
80	2.390	2.200	2.730	2.560	1.950	1.875
92	2.690	2.500	3.030	2.860	2.250	2.175
104	2.990	2.800	3.330	3.160	2.550	2.475
122	3.440	3.250	3.780	3.610	3.000	2.925
140	3.890	3.700	4.230	4.060	3.450	3.375
152	4.190	4.000	4.530	4.360	3.750	3.675
182	4.940	4.750	5.280	5.110	4.500	4.425
206	5.540	5.350	5.880	5.710	5.100	5.025

**PLUG:** RM352-152-321-5500  
**RECEPTACLE:** RM322-152-211-5500  
 XXXXX-XXX-XXX-XXXXXX

**PLUG**

**RECEPTACLE**

SERIES	
RM .075" Screw Machine PC Connector	RM .075" Screw Machine PC Connector

BODY	
3 3-Row	3 3-Row
<b>BODY STYLE:</b>	<b>BODY STYLE:</b>
5 Plug, right angle, with mounting ears	2 Receptacle, straight, with mounting ears
7 Plug, right angle, without mounting ears	4 Receptacle, straight, without mounting ears

<b>BODY MATERIAL:</b>	<b>BODY MATERIAL:</b>
2 Polyphenylene sulfide (PPS)	2 Polyphenylene sulfide (PPS)

SIZE	
011, 023, 035, 047, 059, 071, 080, 092, 104, 122, 140, 152, 182, 206	011, 023, 035, 047, 059, 071, 080, 092, 104, 122, 140, 152, 182, 206

CONTACTS	
<b>TYPE CONTACTS/TERMINATIONS:</b>	<b>TYPE CONTACTS/TERMINATIONS:</b>
31 Pin, right angle, dip solder, .109" x .020" dia	20 Socket, straight, dip solder, .109" x .020" dia
32 Pin, right angle, dip solder, .140" x .020" dia	21 Socket, straight, dip solder, .140" x .020" dia
33 Pin, right angle, dip solder, .172" x .020" dia	22 Socket, straight, dip solder, .172" x .020" dia
34 Pin, right angle, dip solder, .109" x .016" dia	23 Socket, straight, dip solder, .250" x .020" dia
35 Pin, right angle, dip solder, .140" x .016" dia	24 Socket, straight, solder cup
36 Pin, right angle, dip solder, .172" x .016" dia	25 Socket, straight, flex circuit, 093" x .017" dia
37 Pin, right angle, dip solder, .250" x .020" dia	26 Socket, straight, wire wrap®, .500" x .018 sq
	27 Socket, straight, wire wrap®, .375" x .018 sq
	28 Socket, straight, wire wrap®, .625" x .018 sq
	29 Socket, connector saver, .150" x .025" dia
	50 Socket, straight, dip solder, .140" x .016" dia
	51 Socket, straight, dip solder, .172" x .016" dia
	53 Socket, straight, stacking, .212" x .025" dia
	54 Socket, straight, stacking, .244" x .025" dia
	55 Socket, straight, stacking, .275" x .025" dia
	64 Socket, straight, press-fit, .203" (Board .093"-1.125" thk)
	65 Socket, straight, press-fit, .323" (Board .156"-1.200" thk)
	66 Socket, straight, press-fit, .403" (Board .250"+ thk)

<b>PLATING OPTIONS:</b>	<b>PLATING OPTIONS:</b>
1 Gold plated termination	1 Gold plated termination
2 Pre-tinned termination, SnPb alloy <input checked="" type="checkbox"/>	2 Pre-tinned termination, SnPb alloy (dip solder options only) <input checked="" type="checkbox"/>
3 Pre-tinned termination, SAC305 alloy	3 Pre-tinned termination, SAC305 alloy (dip solder options only)

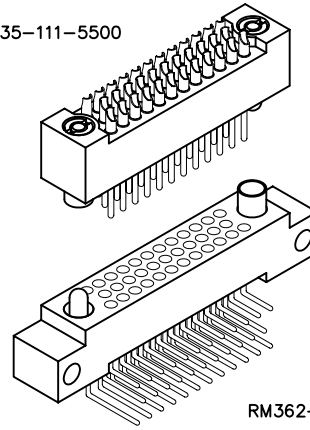
HARDWARE	
<b>STYLE OF HARDWARE:</b> (See R-41 & R-42 for all options)	<b>STYLE OF HARDWARE:</b> (See R-41 & R-42 for all options)
0256 None	0256 None
55 Guide set	55 Guide set
57 Two guide pins	57 Two guide pins
58 Two guide sockets	58 Two guide sockets
29 Fixed jackset	29 Fixed jackset
30 Fixed jackset, reversed	30 Fixed jackset, reversed
19 Two fixed jackscrews	19 Two fixed jackscrews
20 Two fixed jacksockets	20 Two fixed jacksockets
59 Hex turning jackset, .200"	59 Hex turning jackset, .200"
60 Hex turning jackset, reversed, .200"	60 Hex turning jackset, reversed, .200"
61 Two hex turning jackscrews, .200"	61 Two hex turning jackscrews, .200"
62 Two hex turning jacksockets, .200"	62 Two hex turning jacksockets, .200"
64 Turning jackset, .490"	64 Turning jackset, .490"
65 Turning jackset, reversed, .490"	65 Turning jackset, reversed, .490"
66 Two turning jackscrews, .490"	66 Two turning jackscrews, .490"
67 Two turning jacksockets, .490"	67 Two turning jacksockets, .490"

<b>POLARIZATION:</b>	<b>POLARIZATION</b>
00 None	00 None
01 thru 68 are special identifiers, see R-38	01 thru 68 are special identifiers, see R-38
70 Same configuration as 01 without Loctite® (To be keyed by customer)	70 Same configuration as 01 without Loctite® (To be keyed by customer)

OPTIONS	
BN Bond #1-72, sm. pattern hex nuts into mtg. ears	

= Option not RoHS compliant

RM332-035-111-5500



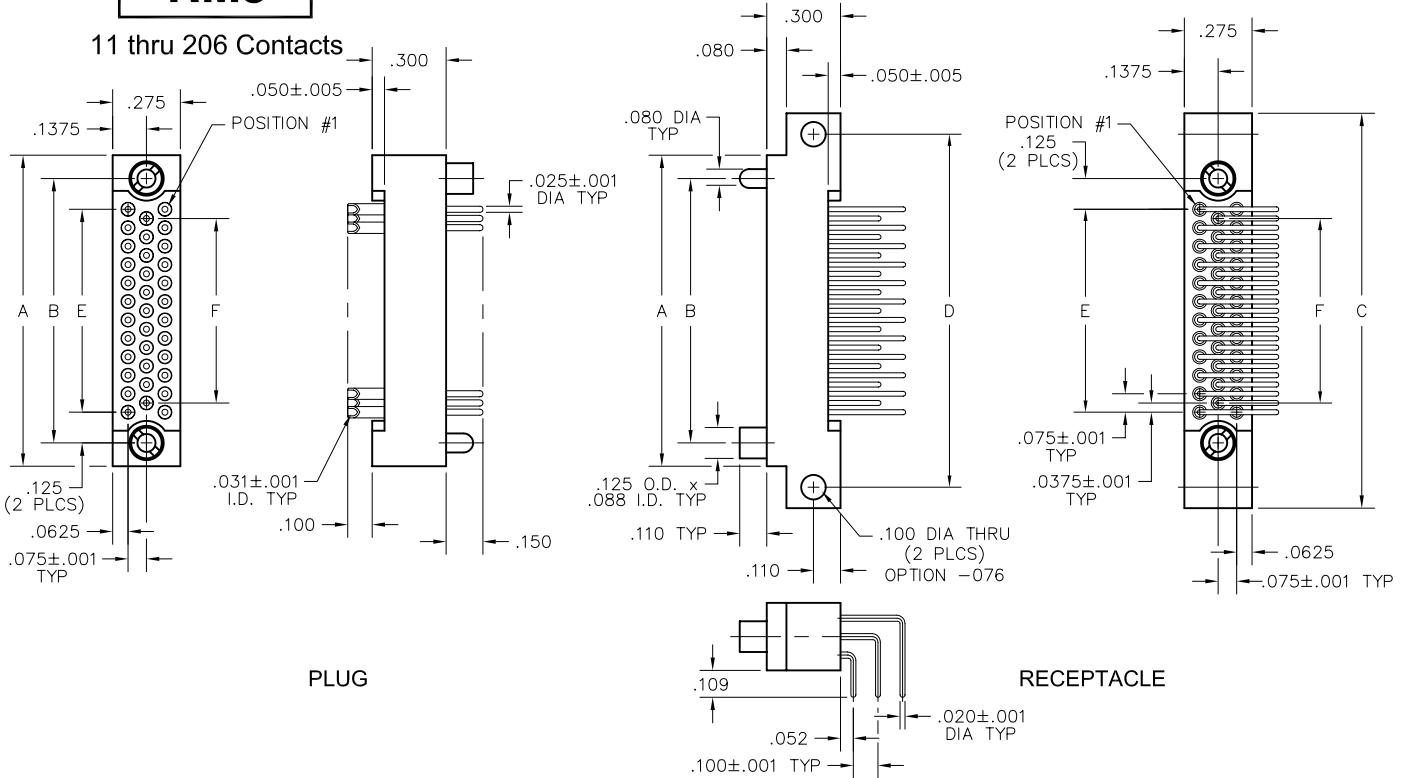
RM362-035-441-5500-076

# 3 • ROW Motherboard or Chassis to Daughterboard

.075"

**RM3**

11 thru 206 Contacts



DIMENSIONS						
SIZE	A	B	C	D	E	F
11	.665	.475	1.005	.835	.225	.150
23	.965	.775	1.305	1.135	.525	.450
35	1.265	1.075	1.605	1.435	.825	.750
47	1.565	1.375	1.905	1.735	1.125	1.050
59	1.865	1.675	2.205	2.035	1.425	1.350
71	2.165	1.975	2.505	2.335	1.725	1.650
80	2.390	2.200	2.730	2.560	1.950	1.875
92	2.690	2.500	3.030	2.860	2.250	2.175
104	2.990	2.800	3.330	3.160	2.550	2.475
122	3.440	3.250	3.780	3.610	3.000	2.925
140	3.890	3.700	4.230	4.060	3.450	3.375
152	4.190	4.000	4.530	4.360	3.750	3.675
182	4.940	4.750	5.280	5.110	4.500	4.425
206	5.540	5.350	5.880	5.710	5.100	5.025

**PLUG:** RM332-035- 111-5500  
**RECEPTACLE:** RM362-035- 441-5500-076  
 XXXXX-XXX-XXX-XXXX-XXX

**PLUG**

**RECEPTACLE**

**SERIES**

RM .075" Screw Machine PC Connector | RM .075" Screw Machine PC Connector

**BODY**

3 3-Row | 3 3-Row

**BODY STYLE:**

1 Plug, straight, with mounting ears	6 Receptacle, right angle, with mounting ears
3 Plug, straight, without mounting ears	8 Receptacle, right angle, without mounting ears

**BODY MATERIAL:**

2 Polyphenylene sulfide (PPS) | 2 Polyphenylene sulfide (PPS)

**SIZE**

011, 023, 035, 047, 059, 071, 080, 092, 104, 122, 140, 152, 182, 206 | 011, 023, 035, 047, 059, 071, 080, 092, 104, 122, 140, 152, 182, 206

**CONTACTS**

**TYPE CONTACTS/TERMINATIONS:**

10 Pin, straight, dip solder, .109" x .020" dia	44 Socket, right angle, dip solder, .109" x .020" dia
11 Pin, straight, solder cup	45 Socket, right angle, dip solder, .140" x .020" dia
12 Pin, straight, dip solder, .140" x .020" dia	46 Socket, right angle, dip solder, .172" x .020" dia
13 Pin, straight, dip solder, .172" x .020" dia	47 Socket, right angle, dip solder, .250" x .020" dia
14 Pin, straight, dip solder, .250" x .020" dia	
15 Pin, straight, flex, .093" x .017 dia	

**PLATING OPTIONS:**

1 Gold plated termination	1 Gold plated termination
2 Pre-finned termination, SnPb alloy (dip solder options only) <input checked="" type="checkbox"/>	2 Pre-finned termination, SnPb alloy <input checked="" type="checkbox"/>
3 Pre-tinned termination, SAC305 alloy (dip solder options only)	3 Pre-tinned termination, SAC305 alloy

**HARDWARE**

**STYLE OF HARDWARE:**

(See R-41 & R-42 for all options)

0256 None	0256 None
55 Guide set	55 Guide set
57 Two guide pins	57 Two guide pins
58 Two guide sockets	58 Two guide sockets
29 Fixed jackset	29 Fixed jackset
30 Fixed jackset, reversed	30 Fixed jackset, reversed
19 Two fixed jackscrews	19 Two fixed jackscrews
20 Two fixed jackscrews	20 Two fixed jackscrews
59 Hex turning jackset, .200"	59 Hex turning jackset, .200"
60 Hex turning jackset, reversed, .200"	60 Hex turning jackset, reversed, .200"
61 Two hex turning jackscrews, .200"	61 Two hex turning jackscrews, .200"
62 Two hex turning jackscrews, .200"	62 Two hex turning jackscrews, .200"
64 Turning jackset, .490"	64 Turning jackset, .490"
65 Turning jackset, reversed, .490"	65 Turning jackset, reversed, .490"
66 Two turning jackscrews, .490"	66 Two turning jackscrews, .490"
67 Two turning jackscrews, .490"	67 Two turning jackscrews, .490"

**POLARIZATION:**

00 None	00 None
01 thru 68 are special identifiers, see R-38	01 thru 68 are special identifiers, see R-38
70 Same configuration as 01 without Loctite® (To be keyed by customer)	70 Same configuration as 01 without Loctite® (To be keyed by customer)

**OPTIONS**

| 076 PWB mounting holes, .100" dia (cross drilled)

= Option not RoHS compliant

**Ask About AirBorn's Accelerated Delivery Service**





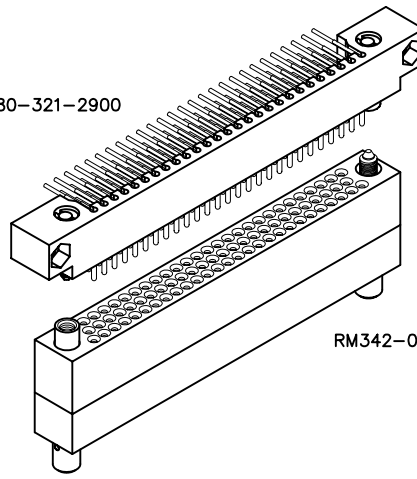
# 3 • ROW Board to Crimp Removable

.075"

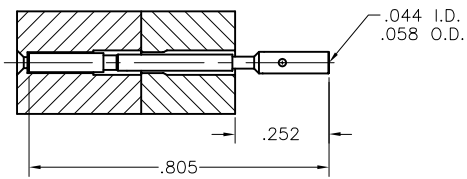
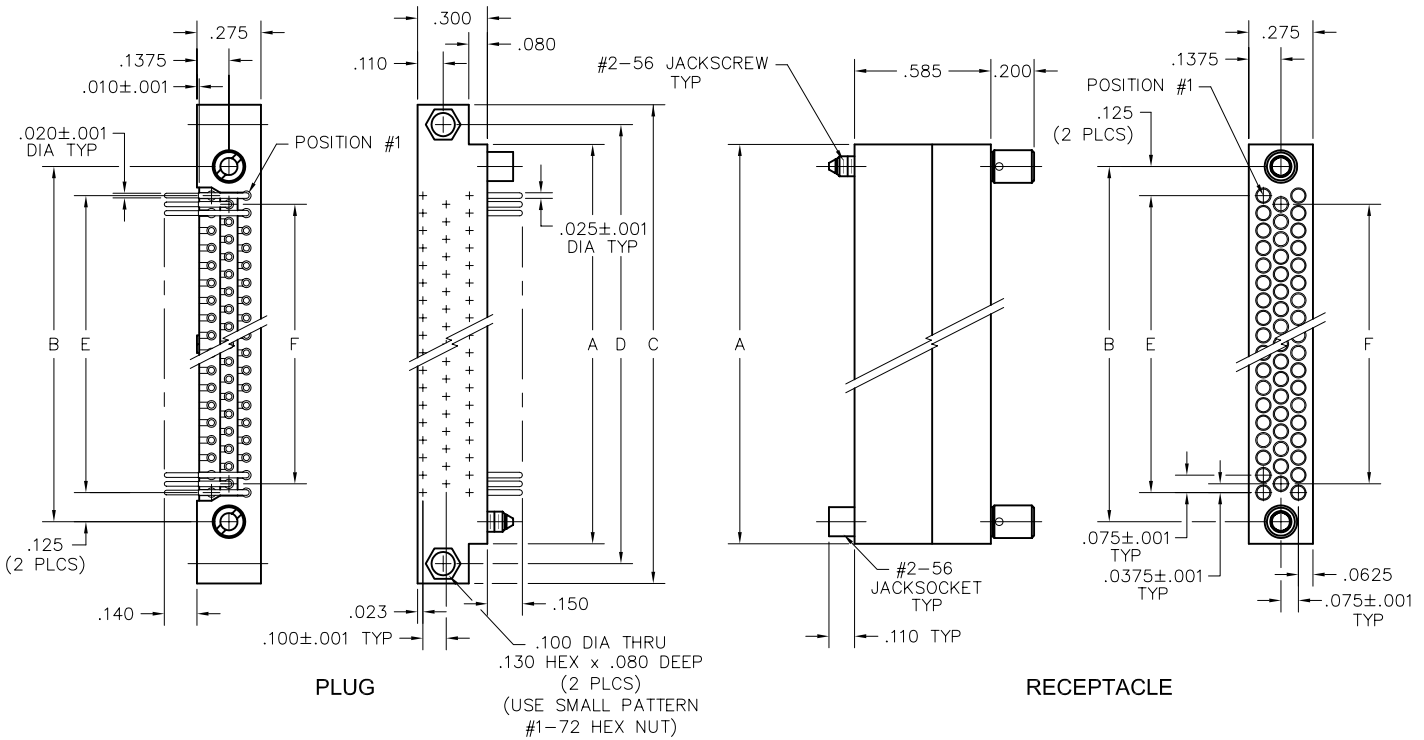
**RM3**

11 thru 80 Contacts

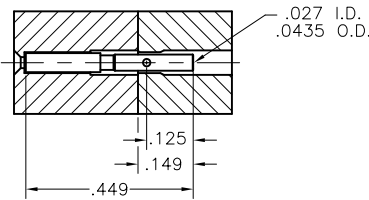
RM352-080-321-2900



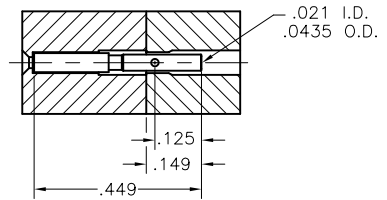
RM342-080-581-5900



20-22 AWG



24-26 AWG



28-30 AWG

**NOTE:**

When using crimp contacts with 20 gage barrel, barrel must be cut off prior to removing contact from connector body.

CRIMP REMOVABLE CONTACTS	
SIZE	PART NUMBER
20-22 AWG	RM300-000-571-0000
24-26 AWG	RM300-000-581-0000
28-30 AWG	RM300-000-591-0000

DIMENSIONS						
SIZE	A	B	C	D	E	F
11	.665	.475	1.005	.835	.225	.150
23	.965	.775	1.305	1.135	.525	.450
35	1.265	1.075	1.605	1.435	.825	.750
47	1.565	1.375	1.905	1.735	1.125	1.050
59	1.865	1.675	2.205	2.035	1.425	1.350
71	2.165	1.975	2.505	2.335	1.725	1.650
80	2.390	2.200	2.730	2.560	1.950	1.875



**PLUG:** RM352-080-321-2900  
**RECEPTACLE:** RM342-080-581-5900  
 XXXXX-XXX-XXX-XXXXXX

**PLUG**

**RECEPTACLE**

**SERIES**

RM .075" Screw Machine PC Connector | RM .075" Screw Machine PC Connector

**BODY**

3 3-Row | 3 3-Row

<b>BODY STYLE:</b>	<b>BODY STYLE:</b>
5 Plug, right angle, with mounting ears	2 Receptacle, straight, with mounting ears
7 Plug, right angle, without mounting ears	4 Receptacle, straight, without mounting ears

<b>BODY MATERIAL:</b>	<b>BODY MATERIAL:</b>
2 Polyphenylene sulfide (PPS)	2 Polyphenylene sulfide (PPS)

**SIZE**

011, 023, 035, 047, 059, 071, 080 | 011, 023, 035, 047, 059, 071, 080

**CONTACTS**

<b>TYPE CONTACTS/TERMINATIONS:</b>	<b>TYPE CONTACTS/TERMINATIONS:</b>
31 Pin, right angle, dip solder, .109" x .020" dia	00 Contacts not supplied
32 Pin, right angle, dip solder, .140" x .020" dia	57 Socket, straight, crimp removable (20-22 AWG)*
33 Pin, right angle, dip solder, .172" x .020" dia	58 Socket, straight, crimp removable (24-26 AWG)*
34 Pin, right angle, dip solder, .109" x .016" dia	59 Socket, straight, crimp removable (28-30 AWG)*
35 Pin, right angle, dip solder, .140" x .016" dia	
36 Pin, right angle, dip solder, .172" x .016" dia	

<b>PLATING OPTIONS:</b>	<b>PLATING OPTIONS:</b>
1 Gold plated termination	0 No plating (use with Contact Option "00" only)
2 Pre-tinned termination, SnPb alloy <input checked="" type="checkbox"/>	1 Gold plated termination
3 Pre-tinned termination, SAC305 alloy	

**HARDWARE**

<b>STYLE OF HARDWARE:</b> (See R-41 & R-42 for all options)	<b>STYLE OF HARDWARE:</b> (See R-41 & R-42 for all options)
0256 None	0256 None
55 Guide set	55 Guide set
57 Two guide pins	57 Two guide pins
58 Two guide sockets	58 Two guide sockets
29 Fixed jackset	29 Fixed jackset
30 Fixed jackset, reversed	30 Fixed jackset, reversed
19 Two fixed jackscrews	19 Two fixed jackscrews
20 Two fixed jackscrews	20 Two fixed jackscrews
59 Hex turning jackset, .200" knob	59 Hex turning jackset, .200" knob
60 Hex turning jackset, reversed, .200" knob	60 Hex turning jackset, reversed, .200" knob
61 Two hex turning jackscrews, .200" knob	61 Two hex turning jackscrews, .200" knob
62 Two hex turning jackscrews, .200" knob	62 Two hex turning jackscrews, .200" knob
64 Turning jackset, .490" knob	64 Turning jackset, .490" knob
65 Turning jackset, reversed, .490" knob	65 Turning jackset, reversed, .490" knob
66 Two turning jackscrews, .490" knob	66 Two turning jackscrews, .490" knob
67 Two turning jackscrews, .490" knob	67 Two turning jackscrews, .490" knob

<b>POLARIZATION:</b>	<b>POLARIZATION</b>
00 None	00 None
01 thru 68 are special identifiers, see R-38	01 thru 68 are special identifiers, see R-38
70 Same configuration as 01 without Loctite® (To be keyed by customer)	70 Same configuration as 01 without Loctite® (To be keyed by customer)

**OPTIONS**

BN Bond #1-72, sm. pattern hex nuts into mtg. ears |

- \* Full compliment of crimp removable sockets packaged with connectors
  - 1. Crimp tool - AirBorn part number: CDG4601, Mil Spec number M22520/2-01
  - 2. Crimp positioner - AirBorn part number: CDG4602 (24-26 AWG and 28-30 AWG)  
CDG4603 (20-22 AWG)
  - 3. Crimp removal tool - AirBorn part number: CDG8161 (All AWGs)
  - 4. Crimp contact part number on previous page.
- = Option not RoHS compliant



**PLUG:** RM312-080-121-2900  
**RECEPTACLE:** RM322-080-581-5900  
 XXXXX-XXX-XXX-XXXX

**PLUG**

**RECEPTACLE**

**SERIES**

RM .075" Screw Machine PC Connector | RM .075" Screw Machine PC Connector

**BODY**

3 3-Row | 3 3-Row

**BODY STYLE:**

1 Plug, straight, with mounting ears	2 Receptacle, straight, with mounting ears
3 Plug, straight, without mounting ears	4 Receptacle, straight, without mounting ears

**BODY MATERIAL:**

2 Polyphenylene sulfide (PPS) | 2 Polyphenylene sulfide (PPS)

**SIZE**

011, 023, 035, 047, 059, 071, 080 | 011, 023, 035, 047, 059, 071, 080

**CONTACTS**

**TYPE CONTACTS/TERMINATIONS:**

10 Pin, straight, dip solder, .109" x .020" dia  
 11 Pin, straight, solder cup  
 12 Pin, straight, dip solder, .140" x .020" dia  
 13 Pin, straight, dip solder, .172" x .020" dia  
 14 Pin, straight, dip solder, .250" x .020" dia  
 15 Pin, straight, flex, .093" x .017" dia

**TYPE CONTACTS/TERMINATIONS:**

00 Contacts not supplied  
 57 Socket, straight, crimp removable (20-22 AWG)\*  
 58 Socket, straight, crimp removable (24-26 AWG)\*  
 59 Socket, straight, crimp removable (28-30 AWG)\*

**PLATING OPTIONS:**

1 Gold plated termination  
 2 Pre-tinned termination, SnPb alloy (dip solder options only)   
 3 Pre-tinned termination, SAC305 alloy (dip solder options only)

**PLATING OPTIONS:**

0 No plating (use with Contact Option "00" only)  
 1 Gold plated termination

**HARDWARE**

**STYLE OF HARDWARE:**

(See R-41 & R-42 for all options)

0256 None  
 55 Guide set  
 57 Two guide pins  
 58 Two guide sockets  
 29 Fixed jackset  
 30 Fixed jackset, reversed  
 19 Two fixed jackscrews  
 20 Two fixed jacksockets  
 59 Hex turning jackset, .200" knob  
 60 Hex turning jackset, reversed, .200" knob  
 61 Two hex turning jackscrews, .200" knob  
 62 Two hex turning jacksockets, .200" knob  
 64 Turning jackset, .490" knob  
 65 Turning jackset, reversed, .490" knob  
 66 Two turning jackscrews, .490" knob  
 67 Two turning jacksockets, .490" knob

**STYLE OF HARDWARE:**

(See R-41 & R-42 for all options)

0256 None  
 55 Guide set  
 57 Two guide pins  
 58 Two guide sockets  
 29 Fixed jackset  
 30 Fixed jackset, reversed  
 19 Two fixed jackscrews  
 20 Two fixed jacksockets  
 59 Hex turning jackset, .200" knob  
 60 Hex turning jackset, reversed, .200" knob  
 61 Two hex turning jackscrews, .200" knob  
 62 Two hex turning jacksockets, .200" knob  
 64 Turning jackset, .490" knob  
 65 Turning jackset, reversed, .490" knob  
 66 Two turning jackscrews, .490" knob  
 67 Two turning jacksockets, .490" knob

**POLARIZATION:**

00 None  
 01 thru 68 are special identifiers, see R-38  
 70 Same configuration as 01 without Loctite®  
 (To be keyed by customer)

**POLARIZATION**

00 None  
 01 thru 68 are special identifiers, see R-38  
 70 Same configuration as 01 without Loctite®  
 (To be keyed by customer)

\* Full complement of crimp removable sockets packaged with connectors

1. Crimp tool - AirBorn part number: CDG4601, Mil Spec number M22520/2-01
2. Crimp positioner - AirBorn part number: CDG4602 (24-26 AWG and 28-30 AWG)  
 CDG4603 (20-22 AWG)
3. Crimp removal tool - AirBorn part number: CDG8161 (All AWGs)
4. Crimp contact part number on previous page.

= Option not RoHS compliant



# 3 • ROW Crimp Removable to Crimp Removable

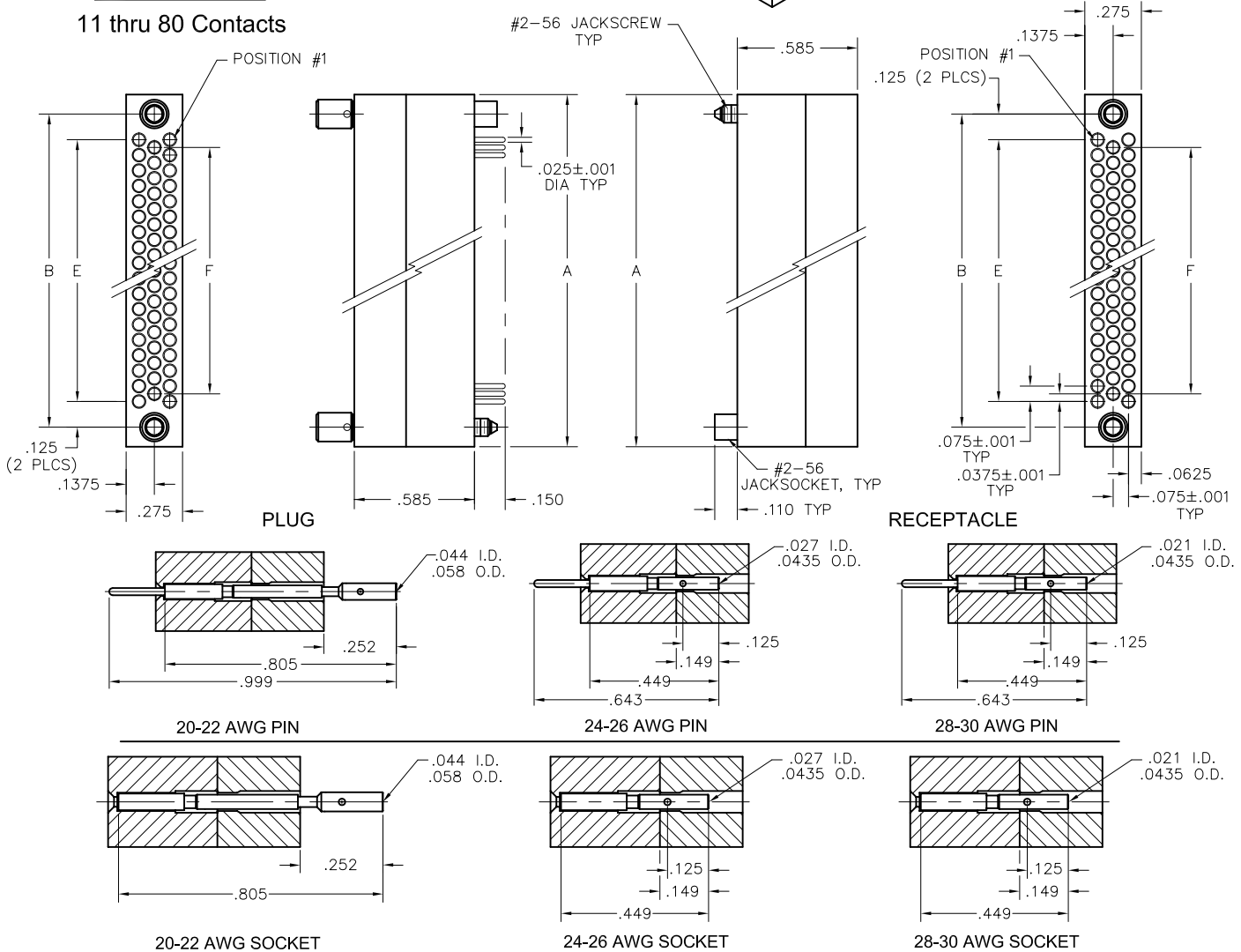
.075"

**RM3**

11 thru 80 Contacts

RM332-080-181-5900

RM342-080-581-2900



NOTE: When using crimp contacts with 20 gage barrel, barrel must be cut off prior to removing contact from connector body.

CRIMP REMOVABLE CONTACTS	
SIZE	PART NUMBER
20-22 AWG PIN	RM300-000-171-0000
24-26 AWG PIN	RM300-000-181-0000
28-30 AWG PIN	RM300-000-191-0000
20-22 AWG SKT	RM300-000-571-0000
24-26 AWG SKT	RM300-000-581-0000
28-30 AWG SKT	RM300-000-591-0000

DIMENSIONS				
SIZE	A	B	E	F
11	.665	.475	.225	.150
23	.965	.775	.525	.450
35	1.265	1.075	.825	.750
47	1.565	1.375	1.125	1.050
59	1.865	1.675	1.425	1.350
71	2.165	1.975	1.725	1.650
80	2.390	2.200	1.950	1.875

**PLUG:** RM332-080- 181-5900  
**RECEPTACLE:** RM342-080- 581-2900  
 XXXXX-XXX-XXX-XXXX

**PLUG**

**RECEPTACLE**

**SERIES**

RM .075" Screw Machine PC Connector | RM .075" Screw Machine PC Connector

**BODY**

3 3-Row  BODY STYLE: 1 Plug, straight, with mounting ears 3 Plug, straight, without mounting ears	3 3-Row  BODY STYLE: 2 Receptacle, straight, with mounting ears 4 Receptacle, straight, without mounting ears
---	---

BODY MATERIAL: 2 Polyphenylene sulfide (PPS)	BODY MATERIAL: 2 Polyphenylene sulfide (PPS)
---	---

**SIZE**

011, 023, 035, 047, 059, 071, 080 | 011, 023, 035, 047, 059, 071, 080

**CONTACTS**

TYPE CONTACTS/TERMINATIONS: 00 Contacts not supplied 17 Pin, straight, crimp removable (20-22 AWG)* 18 Pin, straight, crimp removable (24-26 AWG)* 19 Pin, straight, crimp removable (28-30 AWG)*	TYPE CONTACTS/TERMINATIONS: 00 Contacts not supplied 57 Socket, straight, crimp removable (20-22 AWG)* 58 Socket, straight, crimp removable (24-26 AWG)* 59 Socket, straight, crimp removable (28-30 AWG)*
---	--

PLATING OPTIONS: 0 No plating (use with Contact Option "00" only) 1 Gold plated termination	PLATING OPTIONS: 0 No plating (use with Contact Option "00" only) 1 Gold plated termination
---	---

**HARDWARE**

STYLE OF HARDWARE: (See R-41 & R-42 for all options) 0256 None 55 Guide set 57 Two guide pins 58 Two guide sockets 29 Fixed jackset 30 Fixed jackset, reversed 19 Two fixed jackscrews 20 Two fixed jacksockets 59 Hex turning jackset, .200" knob 60 Hex turning jackset, reversed, .200" knob 61 Two hex turning jackscrews, .200" knob 62 Two hex turning jacksockets, .200" knob 64 Turning jackset, .490" knob 65 Turning jackset, reversed, .490" knob 66 Two turning jackscrews, .490" knob 67 Two turning jacksockets, .490" knob	STYLE OF HARDWARE: (See R-41 & R-42 for all options) 0256 None 55 Guide set 57 Two guide pins 58 Two guide sockets 29 Fixed jackset 30 Fixed jackset, reversed 19 Two fixed jackscrews 20 Two fixed jacksockets 59 Hex turning jackset, .200" knob 60 Hex turning jackset, reversed, .200" knob 61 Two hex turning jackscrews, .200" knob 62 Two hex turning jacksockets, .200" knob 64 Turning jackset, .490" knob 65 Turning jackset, reversed, .490" knob 66 Two turning jackscrews, .490" knob 67 Two turning jacksockets, .490" knob
--	--

POLARIZATION: 00 None 01 thru 68 are special identifiers, see R-38 70 Same configuration as 01 without Loctite® (To be keyed by customer)	POLARIZATION 00 None 01 thru 68 are special identifiers, see R-38 70 Same configuration as 01 without Loctite® (To be keyed by customer)
---	--

- \* Full compliment of crimp removable sockets packaged with connectors
1. Crimp tool - AirBorn part number: CDG4601, Mil Spec number M22520/2-01
  2. Crimp positioner - AirBorn part number: CDG4602 (24-26 AWG and 28-30 AWG)  
 CDG4603 (20-22 AWG)
  3. Crimp removal tool - AirBorn part number: CDG8161 (All AWGs)
  4. Crimp contact part number on previous page.



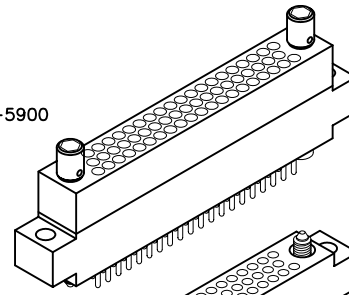
# 3 · ROW Crimp Removable to Cable or Board

.075"

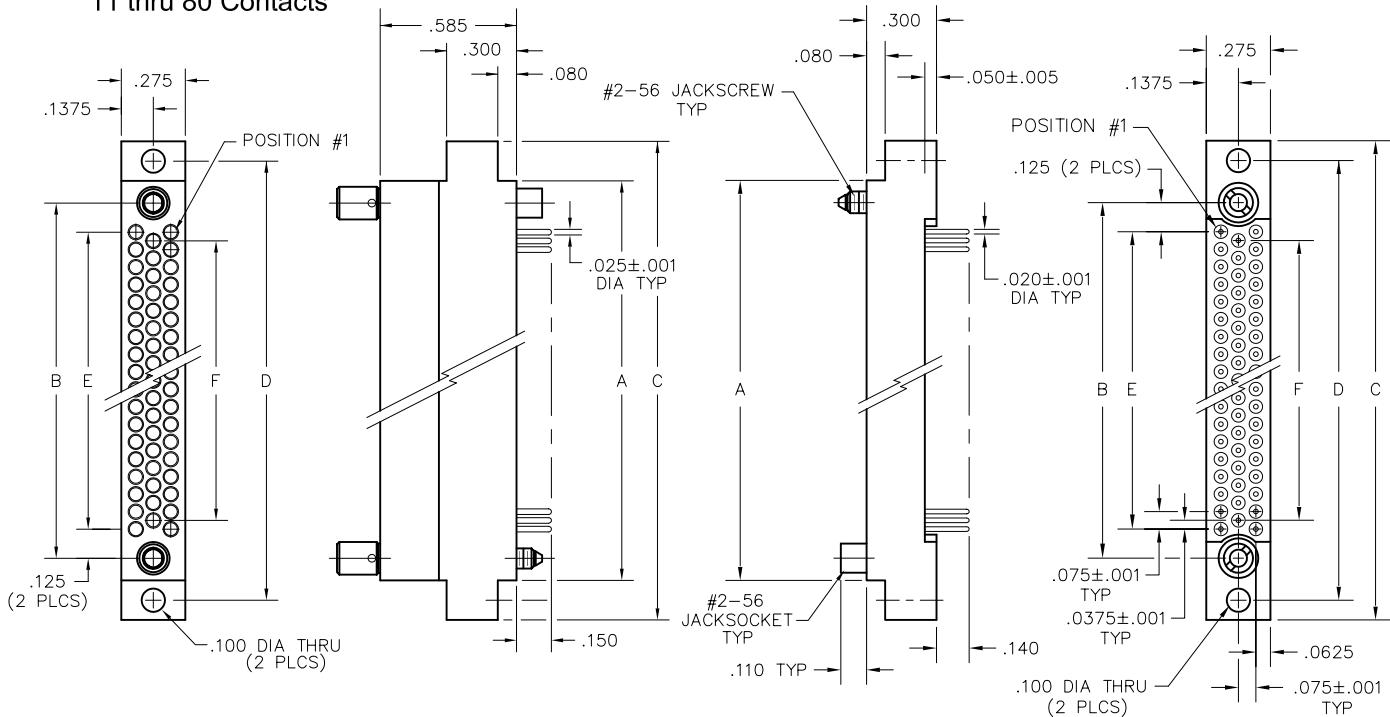
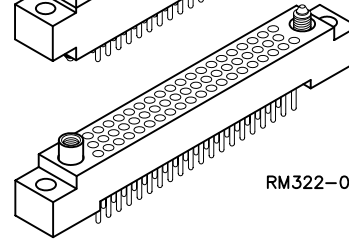
**RM3**

11 thru 80 Contacts

RM312-059-181-5900

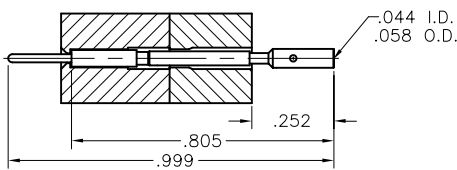


RM322-059-211-2900

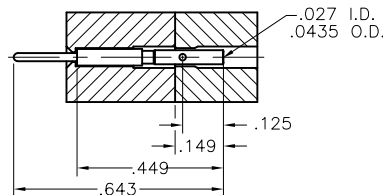


PLUG

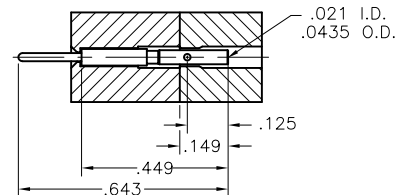
RECEPTACLE



20-22 AWG



24-26 AWG



28-30 AWG

**NOTE:**  
When using crimp contacts with 20 gage barrel, barrel must be cut off prior to removing contact from connector body.

CRIMP REMOVABLE CONTACTS	
SIZE	PART NUMBER
20-22 AWG	RM300-000-171-0000
24-26 AWG	RM300-000-181-0000
28-30 AWG	RM300-000-191-0000

DIMENSIONS						
SIZE	A	B	C	D	E	F
11	.665	.475	1.005	.835	.225	.150
23	.965	.775	1.305	1.135	.525	.450
35	1.265	1.075	1.605	1.435	.825	.750
47	1.565	1.375	1.905	1.735	1.125	1.050
59	1.865	1.675	2.205	2.035	1.425	1.350
71	2.165	1.975	2.505	2.335	1.725	1.650
80	2.390	2.200	2.730	2.560	1.950	1.875

**PLUG:** RM312-059- 181-5900  
**RECEPTACLE:** RM322-059- 211-2900  
 XXXXX-XXX-XXX-XXXX

PLUG		RECEPTACLE	
<b>SERIES</b>			
RM .075" Screw Machine PC Connector		RM .075" Screw Machine PC Connector	
<b>BODY</b>			
3	3-Row	3	3-Row
1	<b>BODY STYLE:</b> Plug, straight, with mounting ears	2	<b>BODY STYLE:</b> Receptacle, straight, with mounting ears
3	Plug, straight, without mounting ears	4	Receptacle, straight, without mounting ears
2	<b>BODY MATERIAL:</b> Polyphenylene sulfide (PPS)	2	<b>BODY MATERIAL:</b> Polyphenylene sulfide (PPS)
<b>SIZE</b>			
011, 023, 035, 047, 059, 071, 080		011, 023, 035, 047, 059, 071, 080	
<b>CONTACTS</b>			
<b>TYPE CONTACTS/TERMINATIONS:</b>		<b>TYPE CONTACTS/TERMINATIONS:</b>	
00	Contacts not supplied	20	Socket, straight, dip solder, .109" x .020" dia
17	Pin, straight, crimp removable (20-22 AWG)*	21	Socket, straight, dip solder, .140" x .020" dia
18	Pin, straight, crimp removable (24-26 AWG)*	22	Socket, straight, dip solder, .172" x .020" dia
19	Pin, straight, crimp removable (28-30 AWG)*	23	Socket, straight, dip solder, .250" x .020" dia
		24	Socket, straight, solder cup
		25	Socket, straight, flex circuit, .093" x .017" dia
		26	Socket, straight, wire wrap®, .500" x .018 sq
		27	Socket, straight, wire wrap®, .375" x .018 sq
		28	Socket, straight, wire wrap®, .625" x .018 sq
		29	Socket, connector saver, .150" x .025" dia
		50	Socket, straight, dip solder, .140" x .016" dia
		51	Socket, straight, dip solder, .172" x .016" dia
		53	Socket, straight, stacking, .212" x .025" dia
		54	Socket, straight, stacking, .244" x .025" dia
		55	Socket, straight, stacking, .275" x .025" dia
		64	Socket, straight, press-fit, .203" (Board .093"-.125" thk)
		65	Socket, straight, press-fit, .323" (Board .156"-.200" thk)
		66	Socket, straight, press-fit, .403" (Board .250"+ thk)
<b>PLATING OPTIONS:</b>		<b>PLATING OPTIONS:</b>	
0	No plating (use with Contact Option "00" only)	1	Gold plated termination
1	Gold plated termination	2	Pre-tinned termination, SnPb alloy (dip solder options only) <input checked="" type="checkbox"/>
		3	Pre-tinned termination, SAC305 alloy (dip solder options only)
<b>HARDWARE</b>			
<b>STYLE OF HARDWARE:</b> (See R-41 & R-42 for all options)		<b>STYLE OF HARDWARE:</b> (See R-41 & R-42 for all options)	
0256	None	0256	None
55	Guide set	55	Guide set
57	Two guide pins	57	Two guide pins
58	Two guide sockets	58	Two guide sockets
29	Fixed jackset	29	Fixed jackset
30	Fixed jackset, reversed	30	Fixed jackset, reversed
19	Two fixed jackscrews	19	Two fixed jackscrews
20	Two fixed jacksockets	20	Two fixed jacksockets
59	Hex turning jackset, .200" knob	59	Hex turning jackset, .200" knob
60	Hex turning jackset, reversed, .200" knob	60	Hex turning jackset, reversed, .200" knob
61	Two hex turning jackscrews, .200" knob	61	Two hex turning jackscrews, .200" knob
62	Two hex turning jacksockets, .200" knob	62	Two hex turning jacksockets, .200" knob
64	Turning jackset, .490" knob	64	Turning jackset, .490" knob
65	Turning jackset, reversed, .490" knob	65	Turning jackset, reversed, .490" knob
66	Two turning jackscrews, .490" knob	66	Two turning jackscrews, .490" knob
67	Two turning jacksockets, .490" knob	67	Two turning jacksockets, .490" knob
<b>POLARIZATION:</b>		<b>POLARIZATION</b>	
00	None	00	None
01	thru 68 are special identifiers, see R-38	01	thru 68 are special identifiers, see R-38
70	Same configuration as 01 without Loctite® (To be keyed by customer)	70	Same configuration as 01 without Loctite® (To be keyed by customer)

\* Full compliment of crimp removable sockets packaged with connectors  
 1. Crimp tool - AirBorn part number: CDG4601, Mil Spec number M22520/2-01  
 2. Crimp positioner - AirBorn part number: CDG4602 (24-26 AWG and 28-30 AWG) / CDG4603 (20-22 AWG)  
 3. Crimp removal tool - AirBorn part number: CDG8161 (All AWGs)  
 4. Crimp contact part number on previous page.  
 = Option not RoHS compliant



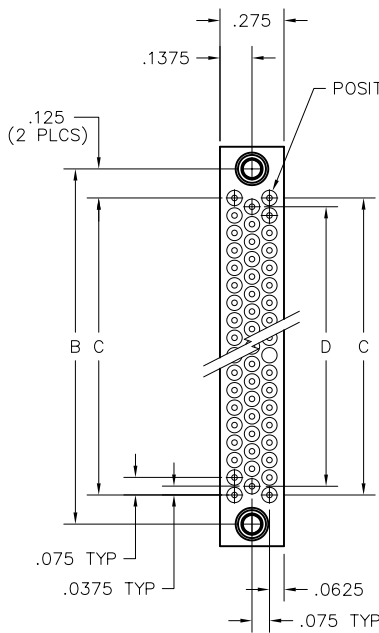
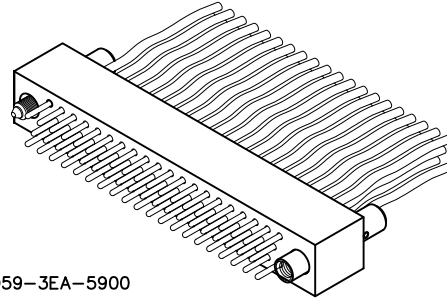
# 3 · ROW Crimped Wire I/O Plug

.075"

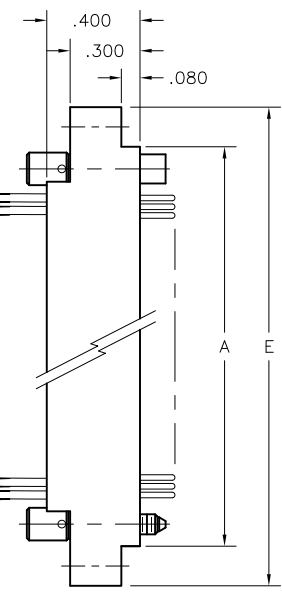
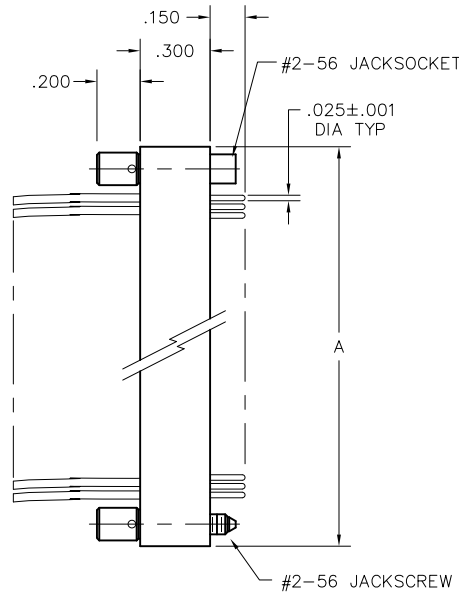
**RA3**

11 thru 104 Contacts

RA3D2-059-3EA-5900



PLUG WITHOUT  
MOUNTING EARS OR  
POTTING WELL



PLUG WITH  
MOUNTING EARS AND  
POTTING WELL

DIMENSIONS					
SIZE	A	B	C	D	E
11	.665	.475	.225	.150	1.005
23	.965	.775	.525	.450	1.305
35	1.265	1.075	.825	.750	1.605
47	1.565	1.375	1.125	1.050	1.905
59	1.865	1.675	1.425	1.350	2.205
71	2.165	1.975	1.725	1.650	2.505
80	2.390	2.200	1.950	1.875	2.730
104	2.990	2.800	2.550	2.475	3.330

RA3 PLUG CONNECTORS MATE WITH:		
MATE	DESCRIPTION	PAGE
RM322	3 ROW STRAIGHT RECEPTACLE WITH EARS	R-21
RM342	3 ROW STRAIGHT RECEPTACLE WITHOUT EARS	R-21
RM362	3 ROW RIGHT ANGLE RECEPTACLE WITH EARS	R-23
RM382	3 ROW RIGHT ANGLE RECEPTACLE WITHOUT EARS	R-23

**REPLACEMENT CONTACTS:**

RA000-001-100-0000  
RA000-001-300-0000

SEE PAGE R-33.4 FOR CRIMP INSTRUCTIONS, CONTACT INSERTION AND CONTACT REMOVAL TOOLS.



PLUG: RA3D2-059-3EA-5900  
XXXXX-XXX-XXX-XXXX

<b>SERIES</b>	
RA .075" Screw Machine PC Connector	
<b>BODY</b>	
3	3-Row
BODY STYLE:	
A	Plug, straight, w/ potting well, w/ mounting ears
B	Plug, straight, w/ potting well, w/out mounting ears
C	Plug, straight, w/out potting well, w/ mounting ears
D	Plug, straight, w/out potting well, w/out mounting ears
BODY MATERIAL:	
2	Polyphenylene sulfide (PPS)
<b>SIZE</b>	
011, 023, 035, 047, 059, 071, 080, 104	
<b>CONTACTS</b>	
TYPE CONTACTS/TERMINATIONS:	
1	Pin, crimp, 28-30 awg. contact
3	Pin, crimp, 22-26 awg. contact
WIRING OPTIONS:	
XX	See wiring codes at right
<b>HARDWARE</b>	
STYLE OF HARDWARE:	
0256	None
Guide Hardware	
5500	Guide set
5501-5568	Guide set, polarized (see page R-38)
5570	Guide set, polarized, same as 5501 without Loctite® (to be keyed by customer)
5700	Two guide pins
5800	Two guide sockets
Jacking Hardware	
2900	Fixed jackset
3000	Fixed jackset, reversed
1900	Two fixed jackscrews
2000	Two fixed jackscrews
5900	Hex turning jackset, .200" knob
6000	Hex turning jackset, reversed, .200" knob
6100	Two hex turning jackscrews, .200" knob
6200	Two hex turning jackscrews, .200" knob
6400	Turning jackset, .490" knob
6500	Turning jackset, reversed, .490" knob
6600	Two turning jackscrews, .490" knob
6700	Two turning jackscrews, .490" knob

= Option not RoHS compliant

If potting well is used with a pre-wired connector, it will be potted and not repairable.

If potting well is not used with a pre-wired connector, it will not be potted.

Contacts that are not potted in place can be removed and replaced only one time.

See page R-33.4 for crimp instructions, contact insertion and contact removal tools.

**WIRE CODES**

TYPE and COLOR			LENGTH	
Code	Size	Color	Code	Length (+1"/-0")
Mil-W-16878/4				
A	22 awg	Ten repeating	A	6"
B	22 awg	White	B	12"
C	24 awg	Ten repeating	C	18"
D	24 awg	White	D	24"
E	26 awg	Ten repeating	E	30"
F	26 awg	White	F	36"
G	28 awg	Ten repeating	G	42"
H	28 awg	White	H	48"
J	30 awg	Ten repeating	J	54"
K	30 awg	White	K	60"
L			L	66"
M			M	72"
N			N	84"
P			P	96"
R			R	108"
S			S	120"
Mil-W-22759/33				
L	22 awg	Ten repeating		
M	22 awg	White		
N	24 awg	Ten repeating		
P	24 awg	White		
R	26 awg	Ten repeating		
S	26 awg	White		
T	28 awg	Ten repeating		
U	28 awg	White		
V	30 awg	Ten repeating		
W	30 awg	White		

**USING WIRE CODES:**

RA3D2-059-3EA-5900

Type and Color  Length

**Color sequence for Ten repeating wire colors:**

(Beginning in position #1)

- Black
- Brown
- Red
- Orange
- Yellow
- Green
- Blue
- Violet
- Grey
- White

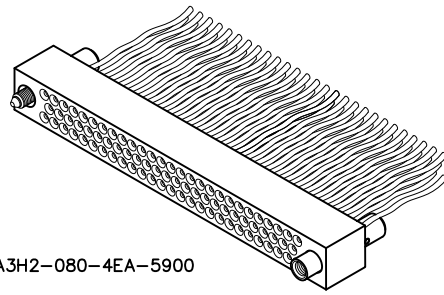
Repeat this sequence until connector is fully loaded.

# 3 · ROW Crimped Wire I/O Receptacle

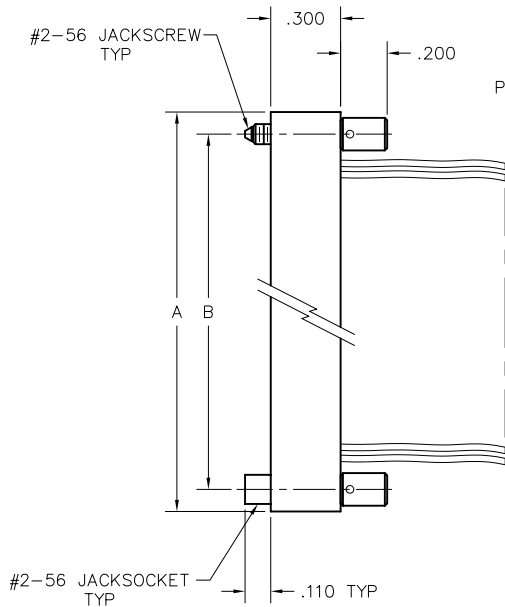
.075"

**RA3**

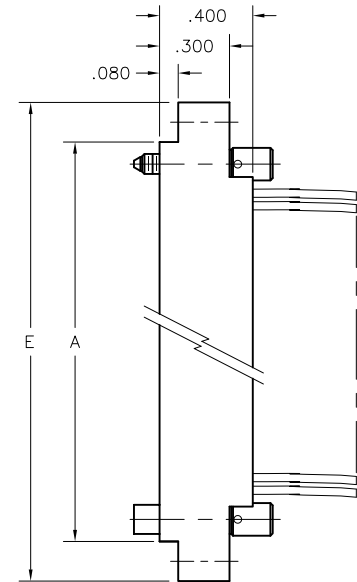
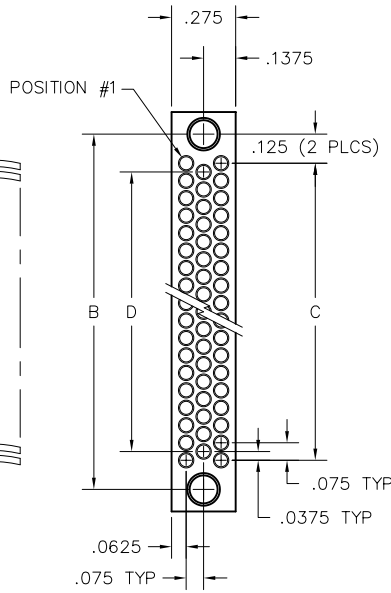
11 thru 104 Contacts



RA3H2-080-4EA-5900



RECEPTACLE WITHOUT  
MOUNTING EARS OR  
POTTING WELL



RECEPTACLE WITH  
MOUNTING EARS AND  
POTTING WELL

DIMENSIONS					
SIZE	A	B	C	D	E
11	.665	.475	.225	.150	1.005
23	.965	.775	.525	.450	1.305
35	1.265	1.075	.825	.750	1.605
47	1.565	1.375	1.125	1.050	1.905
59	1.865	1.675	1.425	1.350	2.205
71	2.165	1.975	1.725	1.650	2.505
80	2.390	2.200	1.950	1.875	2.730
104	2.990	2.800	2.550	2.475	3.330

RA3 RECEPTACLE CONNECTORS MATE WITH:		
MATE	DESCRIPTION	PAGE
RM312	3 ROW STRAIGHT PLUG WITH EARS	R-32
RM332	3 ROW STRAIGHT PLUG WITHOUT EARS	R-32
RM352	3 ROW RIGHT ANGLE PLUG WITH EARS	R-26
RM372	3 ROW RIGHT ANGLE PLUG WITHOUT EARS	R-26

**REPLACEMENT CONTACTS:**

RA000-001-200-0000  
RA000-001-400-0000

SEE PAGE R-33.4 FOR CRIMP INSTRUCTIONS, CONTACT INSERTION AND CONTACT REMOVAL TOOLS.

**PLUG:** RA3H2-080-4EA-5900  
XXXXX-XXX-XXX-XXXX

<b>SERIES</b>	
RA .075" Screw Machine PC Connector	
<b>BODY</b>	
3	3-Row
<b>BODY STYLE:</b>	
E	Receptacle, straight, w/ potting well, w/ mounting ears
F	Receptacle, straight, w/ potting well, w/out mounting ears
G	Receptacle, straight, w/out potting well, w/ mounting ears
H	Receptacle, straight, w/out potting well, w/out mounting ears
<b>BODY MATERIAL:</b>	
2	Polyphenylene sulfide (PPS)
<b>SIZE</b>	
011, 023, 035, 047, 059, 071, 080, 104	
<b>CONTACTS</b>	
<b>TYPE CONTACTS/TERMINATIONS:</b>	
2	Socket, crimp, 28-30 awg. contact
4	Socket, crimp, 22-26 awg. contact
<b>WIRING OPTIONS:</b>	
XX	See wiring codes at right
<b>HARDWARE</b>	
<b>STYLE OF HARDWARE:</b>	
0256	None
Guide Hardware	
5500	Guide set
5501-5568	Guide set, polarized (see page R-38)
5570	Guide set, polarized, same as 5501 without Loctite® (to be keyed by customer)
5700	Two guide pins
5800	Two guide sockets
Jacking Hardware	
2900	Fixed jackset
3000	Fixed jackset, reversed
1900	Two fixed jackscrews
2000	Two fixed jacksockets
5900	Hex turning jackset, .200" knob
6000	Hex turning jackset, reversed, .200" knob
6100	Two hex turning jackscrews, .200" knob
6200	Two hex turning jacksockets, .200" knob
6400	Turning jackset, .490" knob
6500	Turning jackset, reversed, .490" knob
6600	Two turning jackscrews, .490" knob
6700	Two turning jacksockets, .490" knob

= Option not RoHS compliant

If potting well is used with a pre-wired connector, it will be potted and not repairable.

If potting well is not used with a pre-wired connector, it will not be potted.

Contacts that are not potted in place can be removed and replaced only one time.  
See page R-33.4 for crimp instructions, contact insertion and contact removal tools.

**WIRE CODES**

TYPE and COLOR			LENGTH	
Code	Size	Color	Code	Length (+1"/-0")
<b>Mil-W-16878/4</b>				
A	22 awg	Ten repeating	A	6"
B	22 awg	White	B	12"
C	24 awg	Ten repeating	C	18"
D	24 awg	White	D	24"
E	26 awg	Ten repeating	E	30"
F	26 awg	White	F	36"
G	28 awg	Ten repeating	G	42"
H	28 awg	White	H	48"
J	30 awg	Ten repeating	J	54"
K	30 awg	White	K	60"
L			L	66"
M			M	72"
N			N	84"
P			P	96"
R			R	108"
S			S	120"
<b>Mil-W-22759/33</b>				
L	22 awg	Ten repeating		
M	22 awg	White		
N	24 awg	Ten repeating		
P	24 awg	White		
R	26 awg	Ten repeating		
S	26 awg	White		
T	28 awg	Ten repeating		
U	28 awg	White		
V	30 awg	Ten repeating		
W	30 awg	White		

**USING WIRE CODES:**

RA3H2-080-4EA-5900

Type and Color  Length

**Color sequence for Ten repeating wire colors:**

(Beginning in position #1)

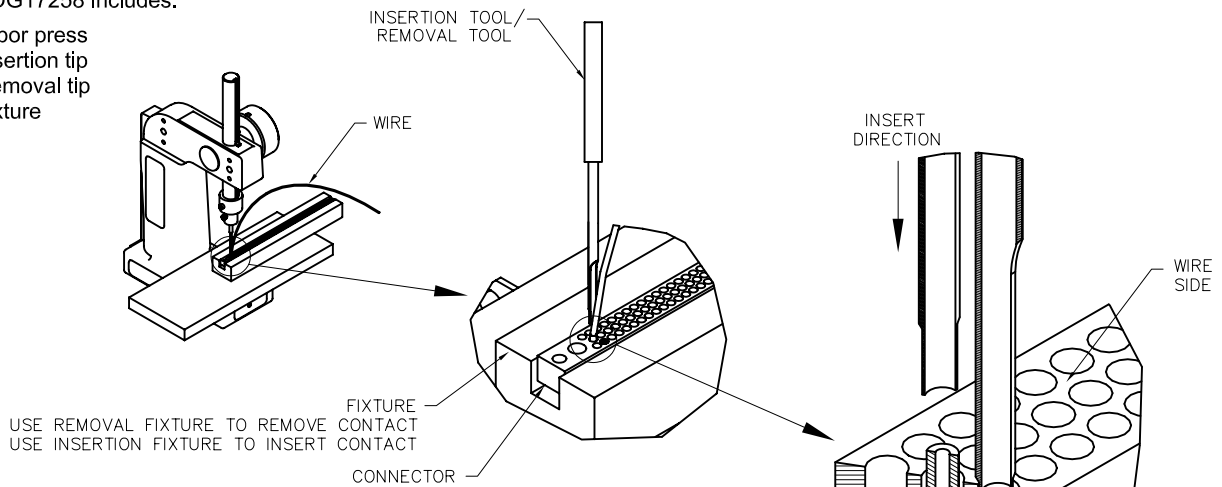
- Black
- Brown
- Red
- Orange
- Yellow
- Green
- Blue
- Violet
- Grey
- White

Repeat this sequence until connector is fully loaded.

# RA Assembly Instructions

CDG17258 includes:

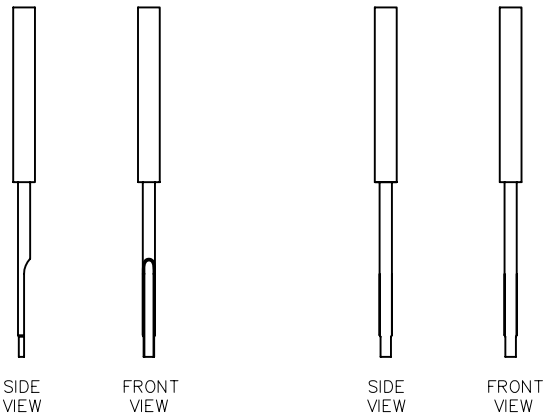
- Arbor press
- Insertion tip
- Removal tip
- Fixture



## CONTACT INSERTION INSTRUCTIONS:

1. Load connector with crimped contacts.
2. Place preloaded connector on insertion fixture with wire side facing up.
3. Position fixture so insertion tool is over contact.
4. Place wire against insertion tool cutout trench.
5. Crank handle on press to seat contact.

FIGURE 1



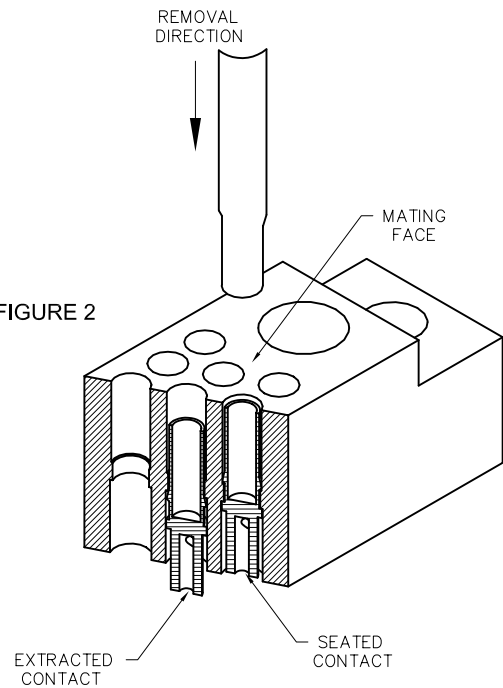
INSERTION TOOL:  
AIRBORN P/N: CDG17256

REMOVAL TOOL:  
AIRBORN P/N: CDG17257

## CONTACT REMOVAL INSTRUCTIONS:

1. Place connector on removal fixture with mating side facing up.
2. Position fixture so removal tool is over contact.
3. Crank handle on press to remove contact.

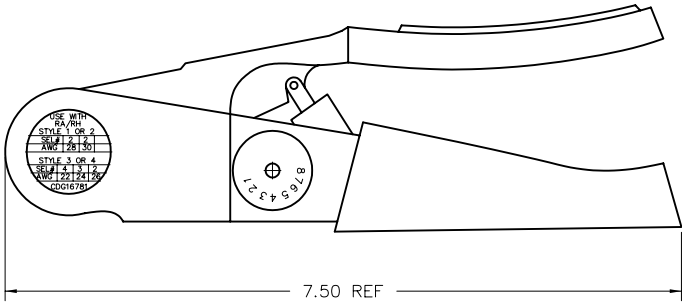
FIGURE 2



# RA Crimp Instructions

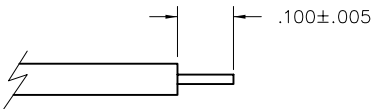
## 1. SET UP CRIMP TOOL

Install proper positioner into the crimp tool. Crimp settings are shown on the positioner for various wire gauge sizes. Adjust the wheel to the proper setting.



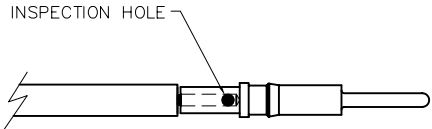
## 2. STRIP WIRE

Remove insulation from wire as shown.



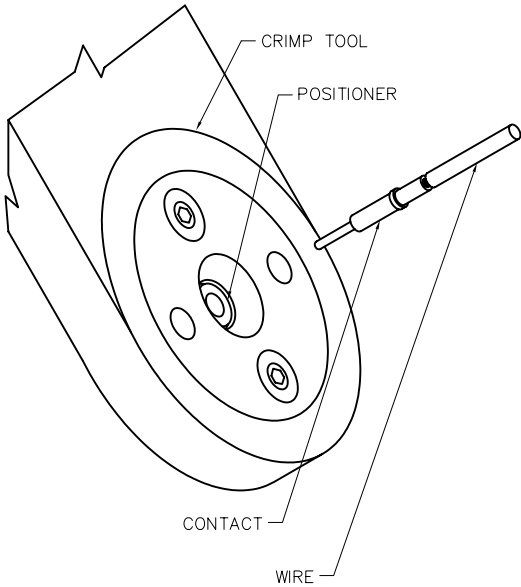
## 3. INSERT WIRE

Insert wire into the contact. Wire should be visible in the inspection hole.



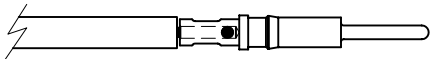
## 4. INSERT CONTACT INTO CRIMP TOOL

Make sure the contact is fully seated in the positioner. Squeeze the handles fully. The ratcheting mechanism of the tool will not allow a partial crimp. The handles will not return to the open position until fully compressed. Release the handles and remove the contact.



## 5. INSPECT CRIMPED CONTACT

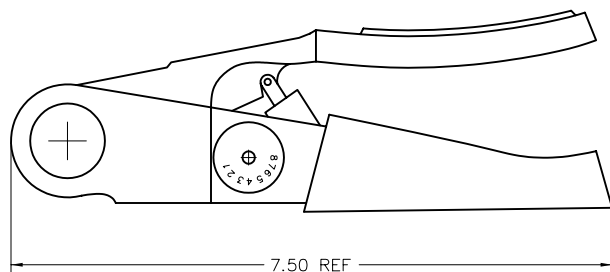
Crimp indentions should be uniform in depth and location.



# RA Crimp Accessories

Crimp Tool

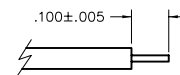
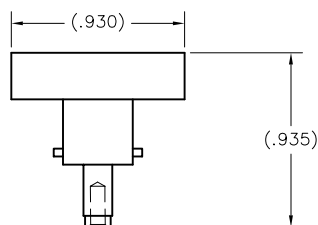
TC2963 - CRIMP TOOL  
REF M22520/2-01



Crimp Positioner

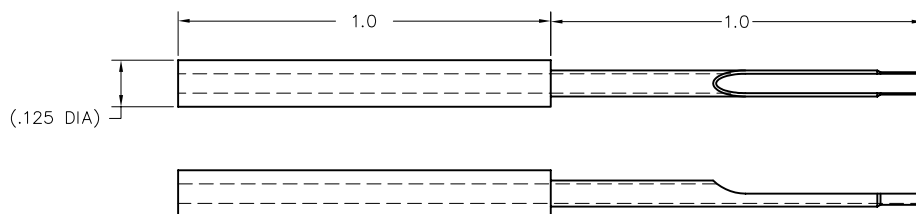
USE WITH RA/RH			
STYLE 1 OR 2			
SEL#	2	2	
AWG	28	30	
STYLE 3 OR 4			
SEL#	4	3	2
AWG	22	24	26
CDG16781			

TOOL SELECTION TABLE	
CONTACT	POSITIONER
RA000-001-100-0000	CDG16781
RA000-001-200-0000	
RA000-001-300-0000	
RA000-001-400-0000	

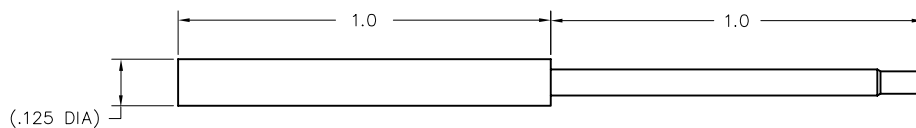


INSULATION STRIPPING  
EXPOSE .100 BARE WIRE  
LENGTH FOR INSERTION INTO  
CONTACT.

Insertion Tool - CDG17256



Removal Tool - CDG17257

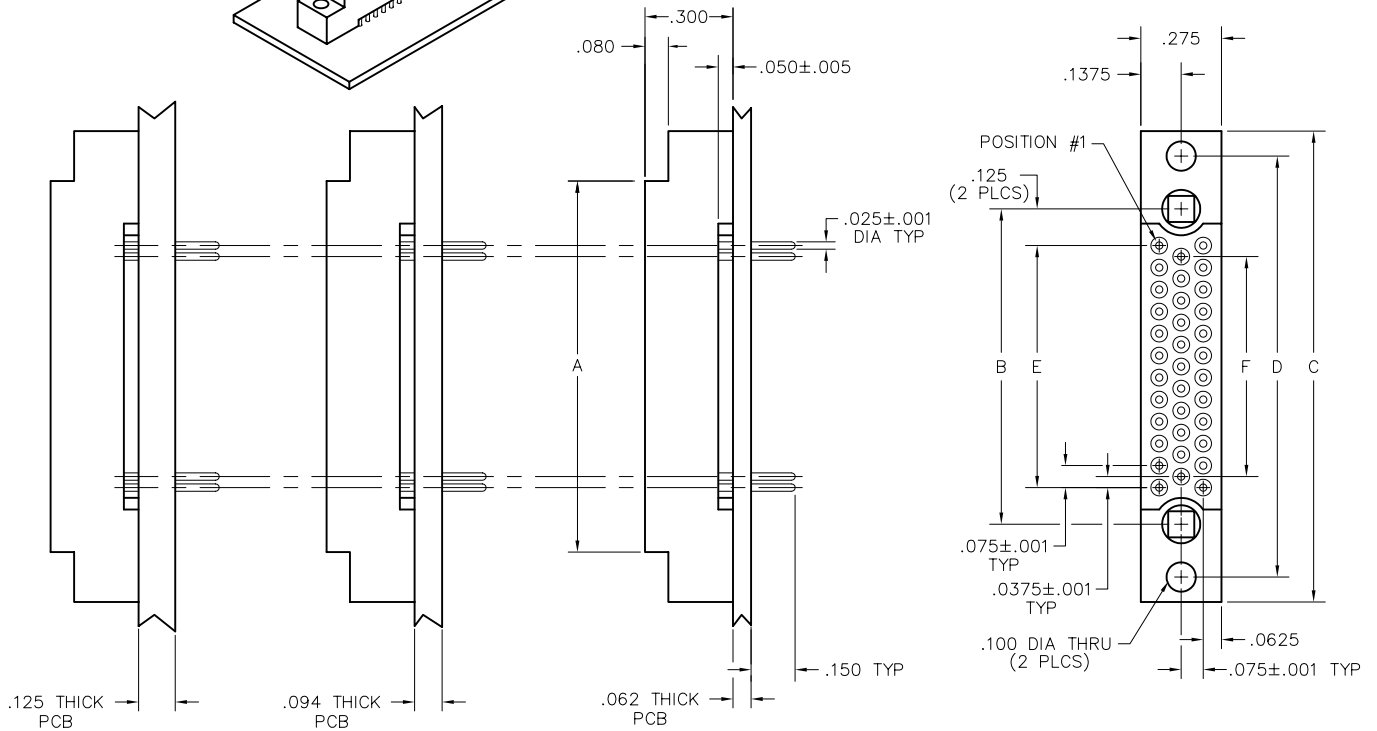


# 3 • ROW PC Board Stackable or Connector Saver

.075"

**RM3**

11 thru 206 Contacts



**NOTE:**  
Stacking connectors cannot have mating hardware.  
(-0256 indicates no hardware)

PC BOARD THICKNESS	TERMINATION LENGTH	PART NUMBER
.062	.212	RM322-035-531-0256
.094	.244	RM322-035-541-0256
.125	.275	RM322-035-551-0256
CONNECTOR SAVER	.150	RM322-035-291-0256

DIMENSIONS						
SIZE	A	B	C	D	E	F
11	.665	.475	1.005	.835	.225	.150
23	.965	.775	1.305	1.135	.525	.450
35	1.265	1.075	1.605	1.435	.825	.750
47	1.565	1.375	1.905	1.735	1.125	1.050
59	1.865	1.675	2.205	2.035	1.425	1.350
71	2.165	1.975	2.505	2.335	1.725	1.650
80	2.390	2.200	2.730	2.560	1.950	1.875
92	2.690	2.500	3.030	2.860	2.250	2.175
104	2.990	2.800	3.330	3.160	2.550	2.475
122	3.440	3.250	3.780	3.610	3.000	2.925
140	3.890	3.700	4.230	4.060	3.450	3.375
152	4.190	4.000	4.530	4.360	3.750	3.675
182	4.940	4.750	5.280	5.110	4.500	4.425
206	5.540	5.350	5.880	5.710	5.100	5.025





# 3 • ROW

## Right Angle PTH Plug

## Straight PTH Plug

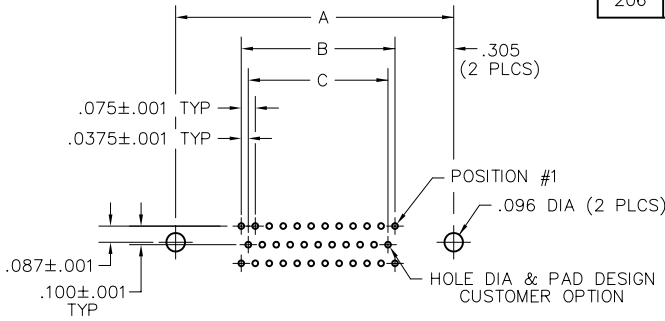
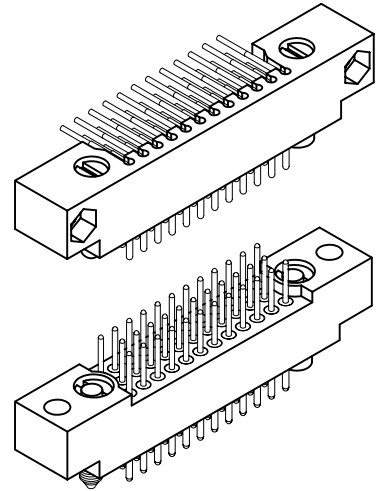
.075"

**RM3**

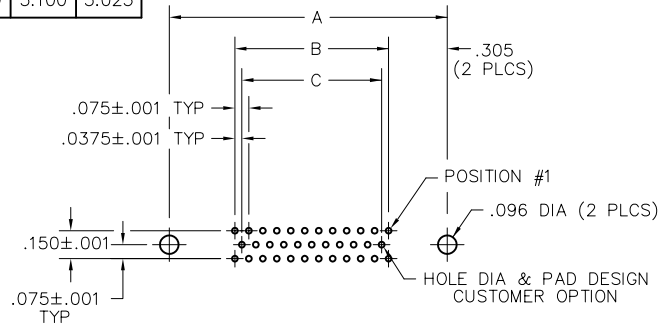
11 thru 206 Contacts

Recommended  
Board Layout

DIMENSIONS			
SIZE	A	B	C
11	.835	.225	.150
23	1.135	.525	.450
35	1.435	.825	.750
47	1.735	1.125	1.050
59	2.035	1.425	1.350
71	2.335	1.725	1.650
80	2.560	1.950	1.875
92	2.860	2.250	2.175
104	3.160	2.550	2.475
122	3.610	3.000	2.925
140	4.060	3.450	3.375
152	4.360	3.750	3.675
182	5.110	4.500	4.425
206	5.710	5.100	5.025

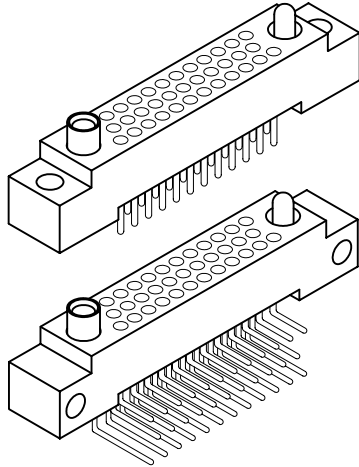


**RIGHT ANGLE PTH PLUG**  
PC BOARD VIEWED FROM COMPONENT SIDE



**STRAIGHT PTH PLUG**  
PC BOARD VIEWED FROM COMPONENT SIDE

SIZE	CONTACT ID	SIZE	CONTACT ID
11	<pre> 4 3 2 1 7 6 5 11 10 9 8           </pre>	92	<pre> 31 30 29      3 2 1 61 60 59      34 33 32 92 91 90      64 63 62           </pre>
23	<pre> 8 7 6 5 4 3 2 1 15 14 13 12 11 10 9 23 22 21 20 19 18 17 16           </pre>	104	<pre> 35 34 33      3 2 1 69 68 67      38 37 36 104 103 102    72 71 70           </pre>
35	<pre> 12 11 10      3 2 1 23 22 21      15 14 13 35 34 33      26 25 24           </pre>	122	<pre> 41 40 39      3 2 1 81 80 79      44 43 42 122 121 120    84 83 82           </pre>
47	<pre> 16 15 14      3 2 1 31 30 29      19 18 17 47 46 45      34 33 32           </pre>	140	<pre> 47 46 45      3 2 1 93 92 91      50 49 48 140 139 138    96 95 94           </pre>
59	<pre> 20 19 18      3 2 1 39 38 37      23 22 21 59 58 57      42 41 40           </pre>	152	<pre> 51 50 49      3 2 1 101 100 99    54 53 52 152 151 150    104 103 102           </pre>
71	<pre> 24 23 22      3 2 1 47 46 45      27 26 25 71 70 69      50 49 48           </pre>	182	<pre> 61 60 59      3 2 1 121 120 119    64 63 62 182 181 180    124 123 122           </pre>
80	<pre> 27 26 25      3 2 1 53 52 51      30 29 28 80 79 78      56 55 54           </pre>	206	<pre> 69 68 67      3 2 1 137 136 135    72 71 70 206 205 204    140 139 138           </pre>



DIMENSIONS			
SIZE	A	B	C
11	.835	.225	.150
23	1.135	.525	.450
35	1.435	.825	.750
47	1.735	1.125	1.050
59	2.035	1.425	1.350
71	2.335	1.725	1.650
80	2.560	1.950	1.875
92	2.860	2.250	2.175
104	3.160	2.550	2.475
122	3.610	3.000	2.925
140	4.060	3.450	3.375
152	4.360	3.750	3.675
182	5.110	4.500	4.425
206	5.710	5.100	5.025

# 3 • ROW

## Right Angle PTH Rcpt

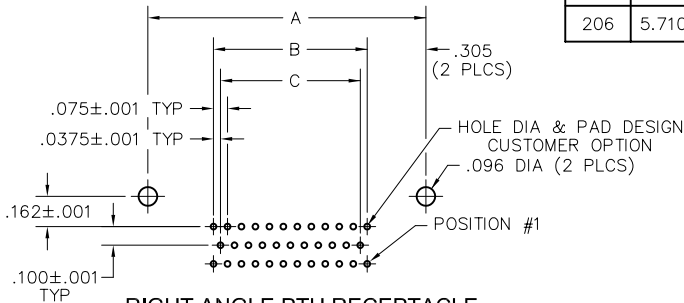
## Straight PTH Rcpt

.075"

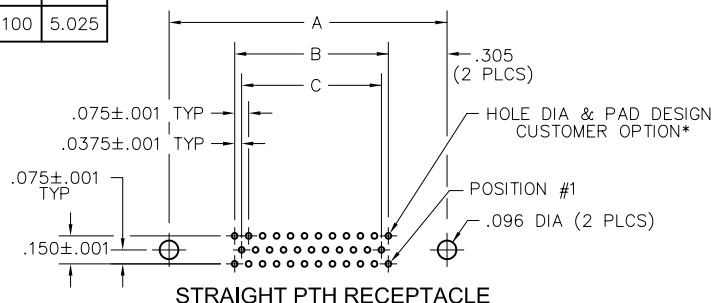
**RM3**

11 thru 206 Contacts

Recommended Board Layout



**RIGHT ANGLE PTH RECEPTACLE**  
PC BOARD VIEWED FROM COMPONENT SIDE



**STRAIGHT PTH RECEPTACLE**  
PC BOARD VIEWED FROM COMPONENT SIDE

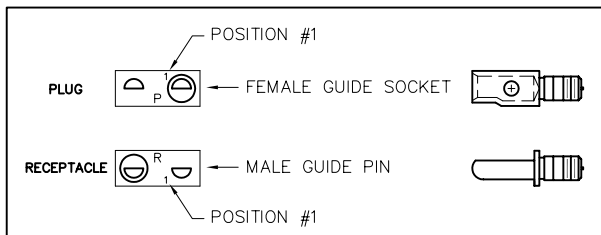
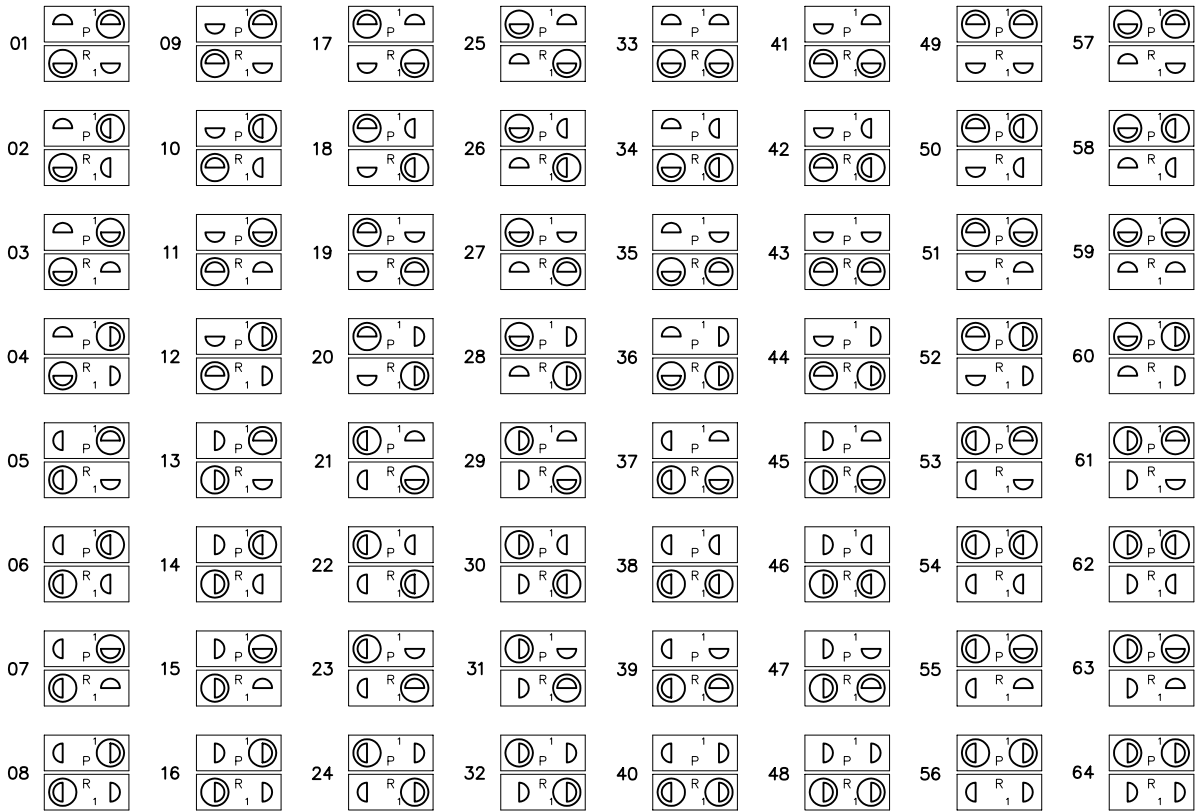
\*COMPLIANT TERMINATION REQUIREMENTS:  
Board Material: FR-4 w/ 1.0 oz. copper  
Minimum nominal board thickness: .062"  
Drilled hole: .0319"-.0339"  
Copper plating thickness: .0010" minimum

Tin-lead plating thickness: .0006" maximum  
Electroplated tin-lead composition: 63/37 (Sn/Pb)  
Finished hole diameter: .028"±.002"

SIZE	CONTACT ID	SIZE	CONTACT ID
11		92	
23		104	
35		122	
47		140	
59		152	
71		182	
80		206	

# Polarization 2 & 3 Row

## D-Shaped Guide Sets



For optimum safety, use polarization number 01-06-11-16-17-22-27 or 32 when possible. These positions will exclude entry or guide pins at both ends of connectors when an attempt is made to mate incorrectly.

Select the appropriate two digit number above and include as the last two digits of the hardware code in the part number.

Example:

Plug RM252-100-311-5501  
Receptacle RM222-100-211-5501

To order polarization guide set only, see catalog page R-42. This set consists of one "D-shaped" guide pin, one "D-shaped" guide socket and two spanner nuts (#2-56 UNC thread).

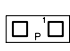
To change polarization position of guide sets, order spanner nut wrench, part number TN-1680.

### UNIVERSAL TEST CONNECTORS

The following test guide sets are designed to mate with any of several connectors having different polarization positions. Note that the square guide pin in test connector will enter the D-shaped socket in any of the four positions in which it may be installed. Likewise, the round guide socket in test connector will fit the D-shaped pin in any position.


5565 CD8783  For positions 5501 thru 5516

5566 CD8783  For positions 5517 thru 5532

5567P CD8784  For positions 5533 thru 5548

5567R CD7743  For positions 5533 thru 5548

5568P CD7743  For positions 5549 thru 5564

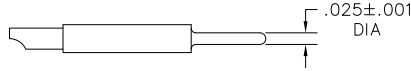
5568R CD8784  For positions 5549 thru 5564

Hardware type shown above catalog order number.

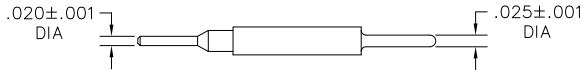
# Contacts 2 & 3 Row

Pins and Sockets

## PINS



11 Pin, straight, solder cup

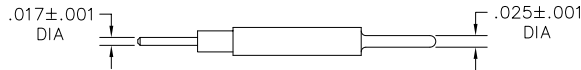


10 Pin, straight, dip solder, .109"

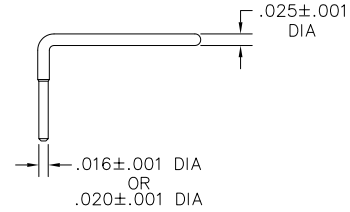
12 Pin, straight, dip solder, .140"

13 Pin, straight, dip solder, .172"

14 Pin, straight, dip solder, .250"



15 Pin, straight, flex circuit, .093"



31 Pin, right angle, dip solder, .109" x .020" dia

32 Pin, right angle, dip solder, .140" x .020" dia

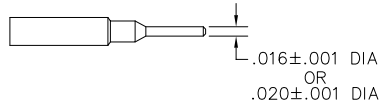
33 Pin, right angle, dip solder, .172" x .020" dia

34 Pin, right angle, dip solder, .109" x .016" dia

35 Pin, right angle, dip solder, .140" x .016" dia

36 Pin, right angle, dip solder, .172" x .016" dia

## SOCKETS



20 Socket, straight, dip solder, .109" x .020" dia

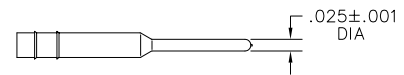
21 Socket, straight, dip solder, .140" x .020" dia

22 Socket, straight, dip solder, .172" x .020" dia

23 Socket, straight, dip solder, .250" x .020" dia

50 Socket, straight, dip solder, .140" x .016" dia

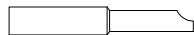
51 Socket, straight, dip solder, .172" x .016" dia



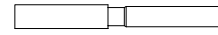
53 Socket, straight, stackable, .212" (Board: .062")

54 Socket, straight, stackable, .244" (Board: .094")

55 Socket, straight, stackable, .275" (Board: .125")



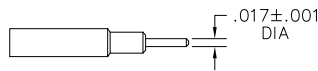
24 Socket, straight, solder cup



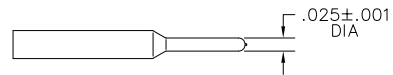
57 Socket, straight, crimp removable (20-22 awg)

58 Socket, straight, crimp removable (24-26 awg)

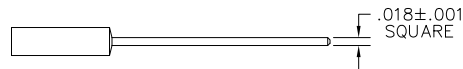
59 Socket, straight, crimp removable (28-30 awg)



25 Socket, straight, flex circuit, .093"



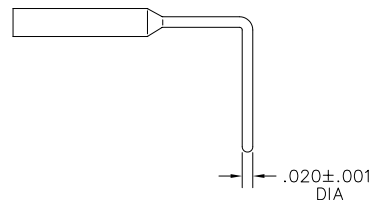
29 Socket, connector saver, .150"



26 Socket, straight, wire-wrap®, .500"

27 Socket, straight, wire-wrap®, .375"

28 Socket, straight, wire-wrap®, .625"

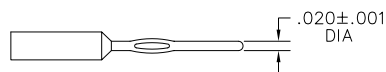


44 Socket, right angle, dip solder, .109"

45 Socket, right angle, dip solder, .140"

46 Socket, right angle, dip solder, .172"

47 Socket, right angle, dip solder, .250"



64 Socket, straight, press-fit, .203" (Board: .093"-.125")

65 Socket, straight, press-fit, .323" (Board: .156"-.200")

66 Socket, straight, press-fit, .403" (Board: .250" or <)

# Military Cross Reference Chart

## M55302/190, 191, 192, 193

Rows	Series & Body Type	Number of Contacts	Type of Terminal	Hardware
2	M55302/190L RM222	10, 20, 30, 40, 50, 60, 70, 80, 90, 100	Sockets	X = 5500
			A = 241	Y = 5501
			B = 201	F = 2900
3	M55302/192L RM322	122 152	Sockets	S = 5900
			D = 221	N = 7600
			E = 251	L = 5100
			F = 271	M = 6400
			G = 261	
2	M55302/191 RM252	10, 20, 30, 40, 50, 60, 70, 80, 90, 100	Pins	X = 5500
			A = 311	Y = 5501
			B = 321	F = 2900
3	M55302/193 RM352	122 152	Pins	S = 5900
			A = 311	N = 7600
			B = 321	L = 5100
			C = 331	M = 6400

### Terminal Description Refer 190L, 192L

A = Solder cup  
 B = Dip terminal, .109" long  
 C = Dip terminal, .140" long  
 D = Dip terminal, .172" long  
 E = Flex circuit, .093" long  
 F = Wire wrap®, .375" long  
 G = Wire wrap®, .500 long

### Hardware Description Refer 190L, 192L, 191, 193

Type X = Full round  
 Type Y = "D-shaped"  
 Type F = Fixed jackset  
 Type S = Short turning hex jackset  
 Type N = Turning hex jackset  
 Type L = Turning slotted jackset  
 Type M = Short turning slotted jackset

### Refer 191, 193

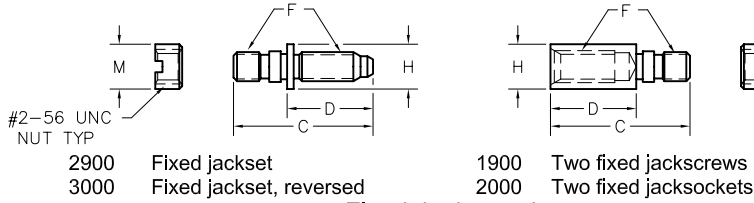
A = Dip terminal, .109" long  
 B = Dip terminal, .140" long  
 C = Dip terminal, .172" long

### Examples: Mating Pair

Military AirBorn	M55302/190LC100X RM222-100-211-5500	Two row receptacle, .100 socket contacts with dip terminal, .140" long in a straight thru housing with mounting ears and full round guide set.
Military AirBorn	M55302/191A100X RM252-100-311-5500	Two row plug, 100 pin contacts with dip terminals, .109" long in a right angle housing with mounting ears and full round guide set.

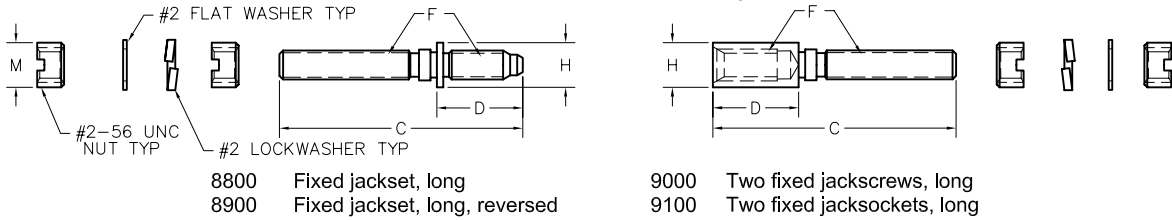
## #2-56 Jacksets

### Fixed Jacksets



2900 Fixed jackset  
3000 Fixed jackset, reversed  
1900 Two fixed jackscrews  
2000 Two fixed jacksockets

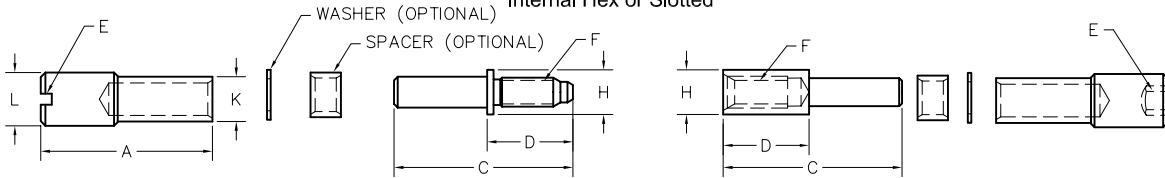
### Fixed Jacksets, Long



8800 Fixed jackset, long  
8900 Fixed jackset, long, reversed  
9000 Two fixed jackscrews, long  
9100 Two fixed jacksockets, long

### Turning Jacksets

Internal Hex or Slotted



#### SLOTTED

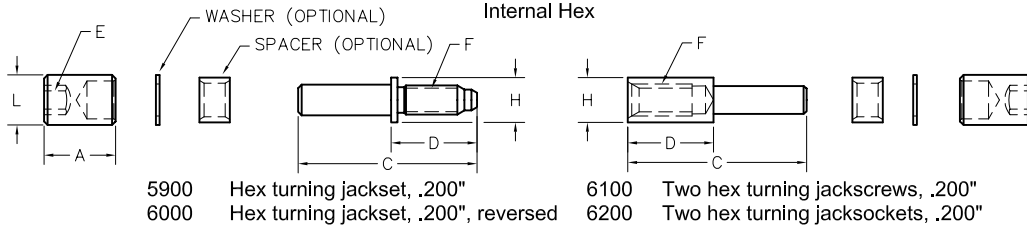
5100 Turning jackset, .700"  
5200 Turning jackset, .700", reversed  
5300 Two turning jackscrews, .700"  
5400 Two turning jacksockets, .700"  
6400 Turning jackset, .490"  
6500 Turning jackset, .490", reversed  
6600 Two turning jackscrews, .490"  
6700 Two turning jacksockets, .490"  
6800 Turning jackset, .545"  
6900 Turning jackset, .545", reversed  
7000 Two turning jackscrews, .545"  
7100 Two turning jacksockets, .545"

#### HEX

7200 Hex turning jackset, .490"  
7300 Hex turning jackset, .490", reversed  
7400 Two hex turning jackscrews, .490"  
7500 Two hex turning jacksockets, .490"  
7600 Hex turning jackset, .545"  
7700 Hex turning jackset, .545", reversed  
7800 Two hex turning jackscrews, .545"  
7900 Two hex turning jacksockets, .545"  
8000 Hex turning jackset, .700"  
8100 Hex turning jackset, .700", reversed  
8200 Two hex turning jackscrews, .700"  
8300 Two hex turning jacksockets, .700"

### Low Profile Jacksets

Internal Hex



5900 Hex turning jackset, .200"  
6000 Hex turning jackset, .200", reversed  
6100 Two hex turning jackscrews, .200"  
6200 Two hex turning jacksockets, .200"

### Hardware Only

HARDWARE TYPE	PART NUMBER
1900	RM000-000-000-1900
2000	RM000-000-000-2000
2900 or 3000	RM000-000-000-2900 (or -3000)
5100 or 5200	RM000-000-000-5100 (or -5200)
5300	RM000-000-000-5300
5400	RM000-000-000-5400
5900 or 6000	RM000-000-000-5900 (or -6000)
6100	RM000-000-000-6100
6200	RM000-000-000-6200
6400 or 6500	RM000-000-000-6400 (or -6500)
6600	RM000-000-000-6600
6700	RM000-000-000-6700

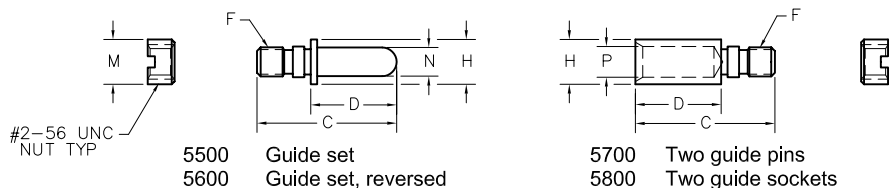
HARDWARE TYPE	PART NUMBER
6800 or 6900	RM000-000-000-6800 (or -6900)
7000	RM000-000-000-7000
7100	RM000-000-000-7100
7200 or 7300	RM000-000-000-7200 (or -7300)
7400	RM000-000-000-7400
7500	RM000-000-000-7500
7600 or 7700	RM000-000-000-7600 (or -7700)
7800	RM000-000-000-7800
7900	RM000-000-000-7900
8000 or 8100	RM000-000-000-8000 (or -8100)
8200	RM000-000-000-8200
8300	RM000-000-000-8300

#### Notes:

- For spanner nut wrench, order part number TN1680 (refer to page WA-9 in W-Series Catalog).
- When installing fixed jacksets, apply Loctite® to threads.

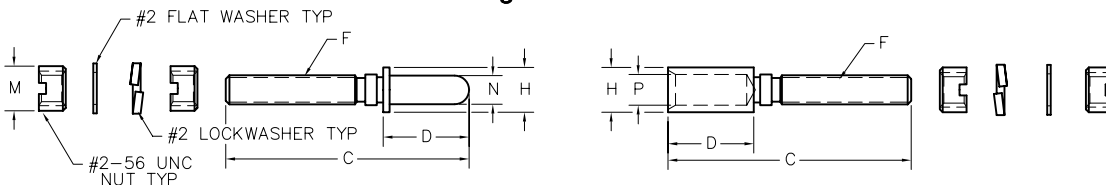
# Guide Sets

## Guide Sets



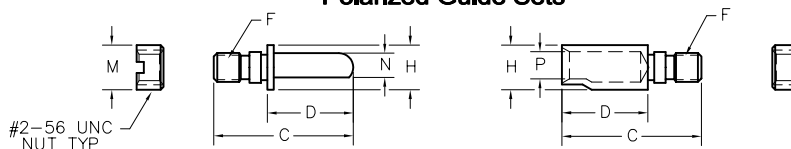
5500 Guide set  
5600 Guide set, reversed  
5700 Two guide pins  
5800 Two guide sockets

## Long Guide Sets



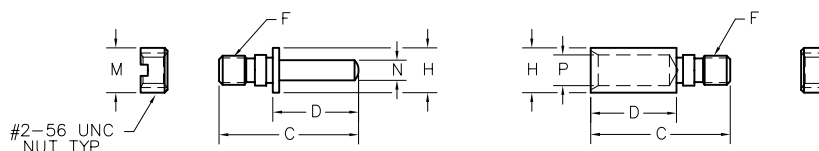
8400 Guide set, long  
8500 Guide set, long, reversed  
8600 Two guide pins, long  
8700 Two guide sockets, long

## Polarized Guide Sets



5501 thru 5564, & 5570  
Note: For polarization options, see page R-38.

## Universal Test Guide Sets



5565 thru 5568  
Note: For polarization options, see page R-38.

DIMENSIONS															
HARDWARE TYPE	A	C	D	E	F	H	K	L	M	N	P				
1900/2000/2900/3000	—	.390	.240	—	#2-56 UNC TH'D	.125 DIA	—	—	.125 DIA	—	—				
5100 THRU 5400	.700	.750		.031 x .031 SLOT			—	.125 DIA	.156 DIA	—	—	—	—		
5500 THRU 5800	—	—		—			—	—	—	—	—	.080 DIA	.088 DIA		
5501 THRU 5564	—	.390		—			—	—	—	—	.125 DIA	.068	.076		
5565 THRU 5568	—	—		—			—	—	—	—	—	.056 SQ	.088 DIA		
5900 THRU 6200	.200	.500		5/64 INT HEX			—	—	.140 DIA	—	—	—	—		
6400 THRU 6700	.490	.750		.031 x .031 SLOT			—	—	.125 DIA	.156 DIA	—	—	—		
6800 THRU 7100	.545			—			—	—			—	—	—	—	—
7200 THRU 7500	.490			—			5/64 INTERNAL HEX	—			—	—	—	—	—
7600 THRU 7900	.545			—			—	—			—	—	—	—	—
8000 THRU 8300	.700			—			—	—			—	—	—	—	—
8400 THRU 8700	—			.680			—	—			—	—	—	.125 DIA	.080 DIA
8800 THRU 9100	—	—					—	—	—	—	—	—	—		

## Hardware Only

HARDWARE TYPE	PART NUMBER
5500 or 5600	RM000-000-000-5500 (or -5600)
5501 - 5532	RM000-000-000-5501 (thru -5532)
5533 - 5548	RM000-000-000-5533 (thru -5548)
5549 - 5564	RM000-000-000-5549 (thru -5564)
5565 or 5566	RM000-000-000-5565 (or -5566)
5568	RM000-000-000-5568
5567	RM000-000-000-5567

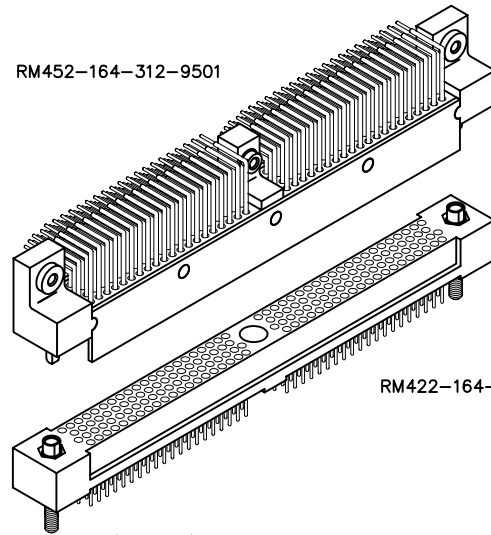
HARDWARE TYPE	PART NUMBER
5570	RM000-000-000-5570
5700	RM000-000-000-5700
5800	RM000-000-000-5800
8400 or 8500	RM000-000-000-8400 (or -8500)
8600	RM000-000-000-8600
8700	RM000-000-000-8700

To order connector without hardware, place "-0256" in hardware designation area of catalog number

Example: RM322-152-221-0256



RM452-164-312-9501



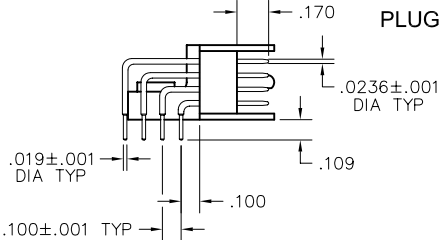
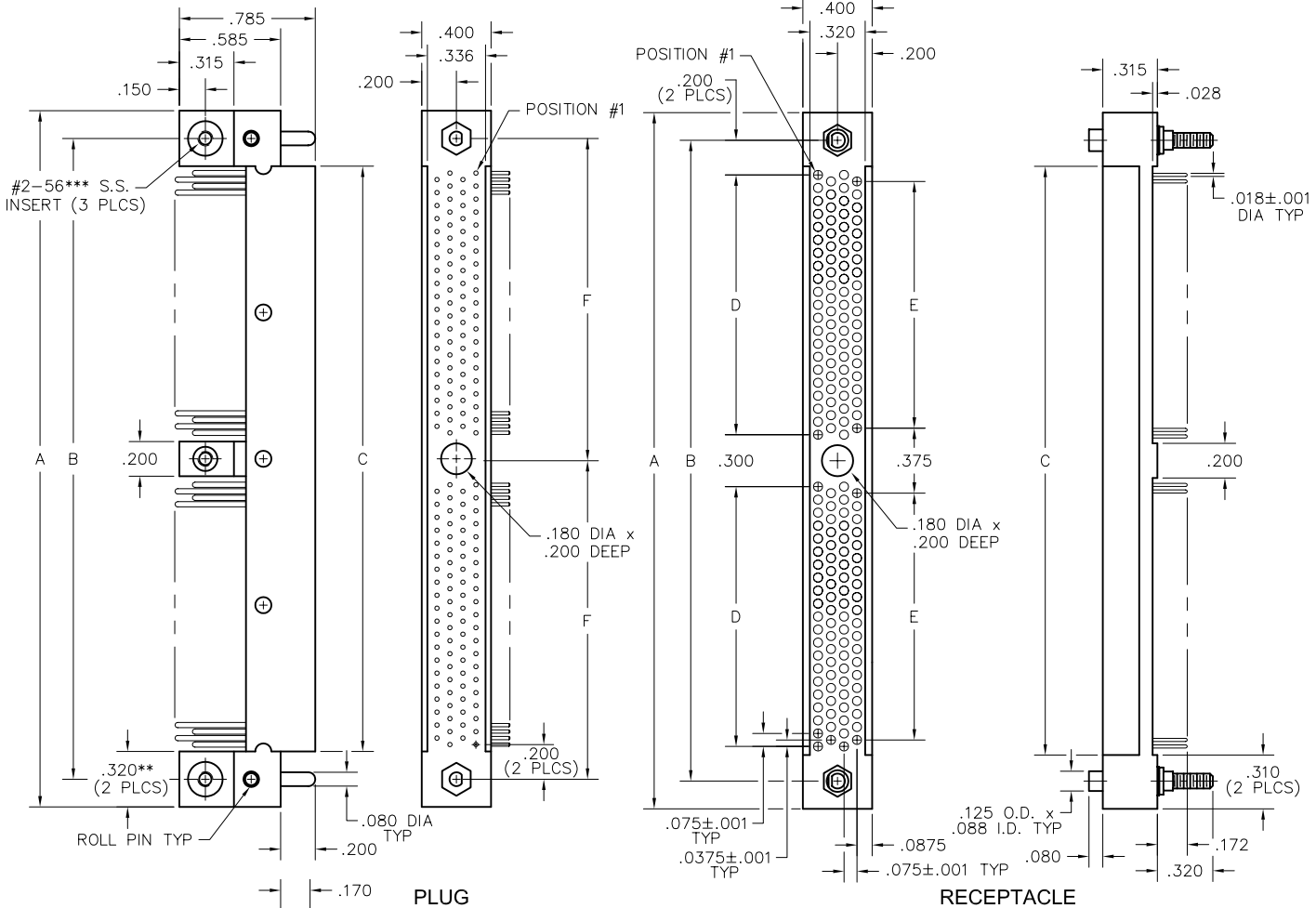
RM422-164-832-9601

# 4 • ROW Daughterboard to Motherboard or Chassis

.075"

**RM4**

86 thru 404 Contacts



SIZE	DIMENSIONS							
	A		B	C		D	E	F
	PLUG	RCPT		PLUG	RCPT			
86*	2.255	2.295	1.975	1.655	1.675	1.575	1.500	—
110*	2.745	2.745	2.425	2.105	2.125	2.025	1.950	—
164	4.020	4.020	3.700	3.380	3.400	1.500	1.425	1.850
196	4.620	4.620	4.300	3.980	4.000	1.800	1.725	2.150
204	4.770	4.770	4.450	4.130	4.150	1.875	1.800	2.225
220	5.070	5.070	4.750	4.430	4.450	2.025	1.950	2.375
250*	5.370	5.370	5.050	4.730	4.750	4.650	4.575	—
276	6.120	6.120	5.800	5.480	5.500	2.550	2.475	2.900
300	6.570	6.570	6.250	5.930	5.950	2.775	2.700	3.125
404	8.520	8.520	8.200	7.880	7.900	3.750	3.675	4.100

**NOTES:**  
 \* = Single section, no center mounting hole  
 \*\* = .280" for 86 position  
 \*\*\* = #4-40 for 404 position

**PLUG:** RM452-164-312-9501  
**RECEPTACLE:** RM422-164-832-9601  
 XXXXX-XXX-XXX-XXXX

PLUG		RECEPTACLE	
<b>SERIES</b>			
RM .075" Screw Machine PC Connector		RM .075" Screw Machine PC Connector	
<b>BODY</b>			
4	4-Row	4	4-Row
<b>BODY STYLE:</b>		<b>BODY STYLE:</b>	
5	Plug, right angle, with mounting ears	2	Receptacle, straight, without mounting ears
<b>BODY MATERIAL:</b>		<b>BODY MATERIAL:</b>	
2	Polyphenylene sulfide (PPS)	2	Polyphenylene sulfide (PPS)
<b>SIZE</b>			
086, 110, 164, 196, 204, 220, 250, 276, 300, 404		086, 110, 164, 196, 204, 220, 250, 276, 300, 404	
<b>CONTACTS</b>			
<b>TYPE CONTACTS/TERMINATIONS:</b>		<b>TYPE CONTACTS/TERMINATIONS:</b>	
31	Pin, right angle, dip solder, .109" x .019" dia	75	Socket, straight, dip solder, .250" x .018" dia
32	Pin, right angle, dip solder, .140" x .019" dia	76	Socket, straight, solder cup
33	Pin, right angle, dip solder, .172" x .019" dia	77	Socket, straight, flex, .093" x .017" dia
34	Pin, right angle, dip solder, .250" x .019" dia	78	Socket, straight, wire wrap®, .500" x .018" sq
		79	Socket, straight, wire wrap®, .375" x .018" sq
		81	Socket, straight, dip solder, .109" x .018" dia
		82	Socket, straight, dip solder, .140" x .018" dia
		83	Socket, straight, dip solder, .172" x .018" dia
		87	Socket, straight, press-fit, .188" (Board: .093" - .125" thk)
		88	Socket, straight, press-fit, .308" (Board: .156" - .200" thk)
		89	Socket, straight, press-fit, .388" (Board: .250"+ thk)
<b>PLATING OPTIONS:</b>		<b>PLATING OPTIONS:</b>	
1	Gold plated termination	1	Gold plated termination
2	Pre-tinned termination, SnPb alloy <input checked="" type="checkbox"/>	2	Pre-tinned termination, SnPb alloy (dip solder options only) <input checked="" type="checkbox"/>
3	Pre-tinned termination, SAC305 alloy	3	Pre-tinned termination, SAC305 alloy (dip solder options only)
<b>HARDWARE</b>			
<b>STYLE OF HARDWARE:</b>		<b>STYLE OF HARDWARE:</b>	
0256	None	0256	None
83	Fixed jackset, reversed, installed	82	Hex turning jackset, reversed, installed, .200 knob
90	Guide pins, full round, installed	83	Fixed jackset, reversed, installed, #2-56 x .247" thd ext
93	Fixed jackset, installed	84	Fixed jackset, reversed, installed, #2-56 x .320" thd ext
95	Guide pins, polarized, unassembled	91	Guide sockets, full round, installed, #2-56 x .247" thd ext
9501 - 9536	Guide pins, polarized, installed	92	Hex turning jackset, installed, .200 knob
99	Guide pins, universal, installed	93	Fixed jackset, installed, #2-56 x .247" thd ext
		94	Fixed jackset, installed, #2-56 x .320" thd ext
		96	Guide sockets, polarized, unassembled, #2-56 x .320" thd ext
		9601 - 9636	Guide sockets, polarized, installed, #2-56 x .320" thd ext
		97	Guide sockets, polarized, unassembled, #2-56 x .247" thd ext
		9701 - 9736	Guide sockets, polarized, installed, #2-56 x .247" thd ext
		98	Guide sockets, universal, installed, #2-56 x .247" thd ext
<b>POLARIZATION:</b>		<b>POLARIZATION</b>	
00	None	00	None
01	thru 36 are special identifiers, see page R-57	01	thru 36 are special identifiers, see page R-57

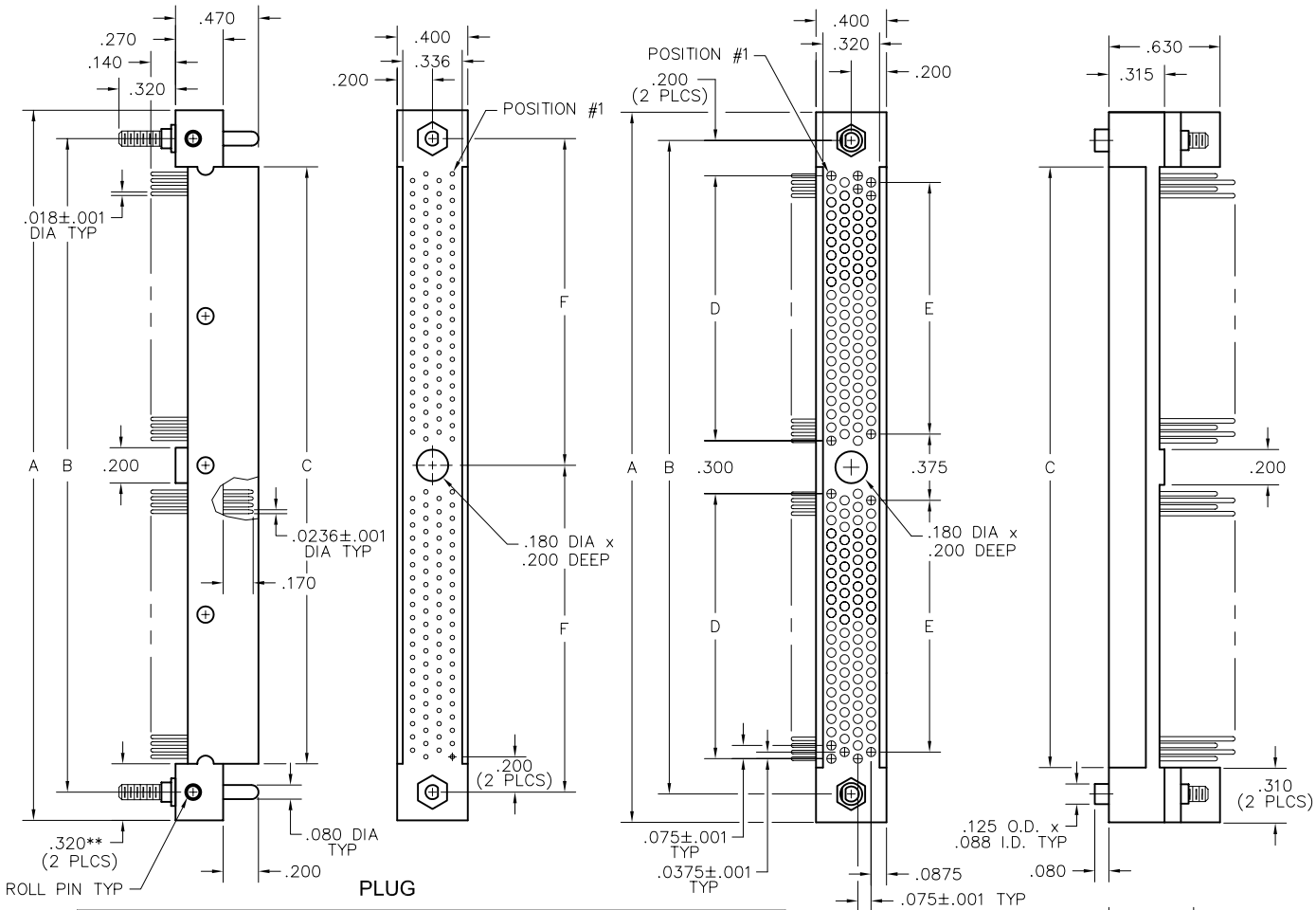
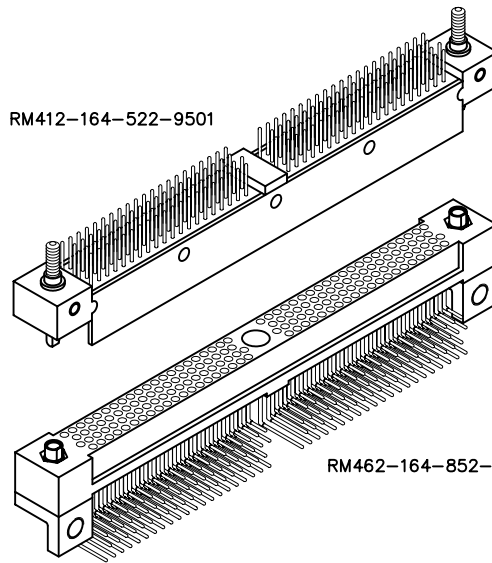
= Option not RoHS compliant

# 4 • ROW Motherboard or Chassis to Daughterboard

.075"

**RM4**

86 thru 404 Contacts



SIZE	A		B	C		D	E	F
	PLUG	RCPT		PLUG	RCPT			
86*	2.255	2.295	1.975	1.655	1.675	1.575	1.500	-
110*	2.745	2.745	2.425	2.105	2.125	2.025	1.950	-
164	4.020	4.020	3.700	3.380	3.400	1.500	1.425	1.850
196	4.620	4.620	4.300	3.980	4.000	1.800	1.725	2.150
204	4.770	4.770	4.450	4.130	4.150	1.875	1.800	2.225
220	5.070	5.070	4.750	4.430	4.450	2.025	1.950	2.375
250*	5.370	5.370	5.050	4.730	4.750	4.650	4.575	-
276	6.120	6.120	5.800	5.480	5.500	2.550	2.475	2.900
300	6.570	6.570	6.250	5.930	5.950	2.775	2.700	3.125
404	8.520	8.520	8.200	7.880	7.900	3.750	3.675	4.100

**RECEPTACLE**

**NOTES:**

- \* = Single section, no center mounting hole
- \*\* = .280" for 86 position

**PLUG:** RM412-164-522-9501  
**RECEPTACLE:** RM462-164-852-9601  
 XXXXX-XXX-XXX-XXXX

**PLUG**

**RECEPTACLE**

**SERIES**

RM .075" Screw Machine PC Connector | RM .075" Screw Machine PC Connector

**BODY**

4	4-Row	4	4-Row
1	<b>BODY STYLE:</b> Plug, straight, without mounting ears	6	<b>BODY STYLE:</b> Receptacle, right angle, with mounting brackets
2	<b>BODY MATERIAL:</b> Polyphenylene sulfide (PPS)	2	<b>BODY MATERIAL:</b> Polyphenylene sulfide (PPS)

**SIZE**

086, 110, 164, 196, 204, 220, 250, 276, 300, 404 | 086, 110, 164, 196, 204, 220, 250, 276, 300, 404

**CONTACTS**

<b>TYPE CONTACTS/TERMINATIONS:</b>		<b>TYPE CONTACTS/TERMINATIONS:</b>	
17	Pin, straight, solder cup	84	Socket, right angle, dip solder, .109" x .019" dia
40	Pin, straight, flex .093" x .017" dia	85	Socket, right angle, dip solder, .140" x .019" dia
51	Pin, straight, dip solder, .109" x .018" dia	86	Socket, right angle, dip solder, .172" x .019" dia
52	Pin, straight, dip solder, .140" x .018" dia		
53	Pin, straight, dip solder, .172" x .018" dia		
54	Pin, straight, dip solder, .250" x .018" dia		

<b>PLATING OPTIONS:</b>		<b>PLATING OPTIONS:</b>	
1	Gold plated termination	1	Gold plated termination
2	Pre-tinned termination, SnPb alloy (dip solder options only) <input checked="" type="checkbox"/>	2	Pre-tinned termination, SnPb alloy <input checked="" type="checkbox"/>
3	Pre-tinned termination, SAC305 alloy (dip solder options only)	3	Pre-tinned termination, SAC305 alloy

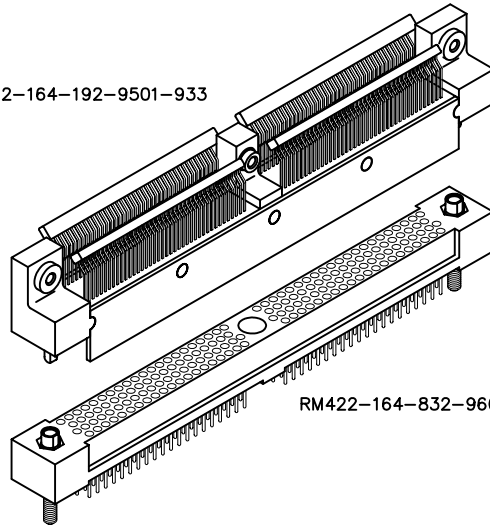
**HARDWARE**

<b>STYLE OF HARDWARE:</b>		<b>STYLE OF HARDWARE:</b>	
0256	None	0256	None
82	Hex turning jackset, reversed, installed, .200 knob	82	Hex turning jackset, reversed, installed, .200 knob
83	Fixed jackset, reversed, installed, #2-56 x .247" thd ext	83	Fixed jackset, reversed, installed
84	Fixed jackset, reversed, installed, #2-56 x .320" thd ext	91	Guide sockets, full round, installed
90	Guide pins, full round, installed, #2-56 x .320" thd ext	92	Hex turning jackset, installed, .200 knob
92	Hex turning jackset, installed, .200 knob	93	Fixed jackset, installed
93	Fixed jackset, installed, #2-56 x .247" thd ext	96	Guide sockets, polarized, unassembled
94	Fixed jackset, installed, #2-56 x .320" thd ext	9601 - 9636	Guide sockets, polarized, installed
95	Guide pins, polarized, unassembled, #2-56 x .320" thd ext	97	Guide sockets, polarized, unassembled
9501 - 9536	Guide pins, polarized, installed, #2-56 x .320" thd ext	9701 - 9736	Guide sockets, polarized, installed
99	Guide pins, universal, installed #2-56 x .320" thd ext	98	Guide sockets, universal, installed

Note: Includes mounting bracket when right angle contacts are supplied

<b>POLARIZATION:</b>		<b>POLARIZATION</b>	
00	None	00	None
01	thru 36 are special identifiers, see page R-57	01	thru 36 are special identifiers, see page R-57

= Option not RoHS compliant



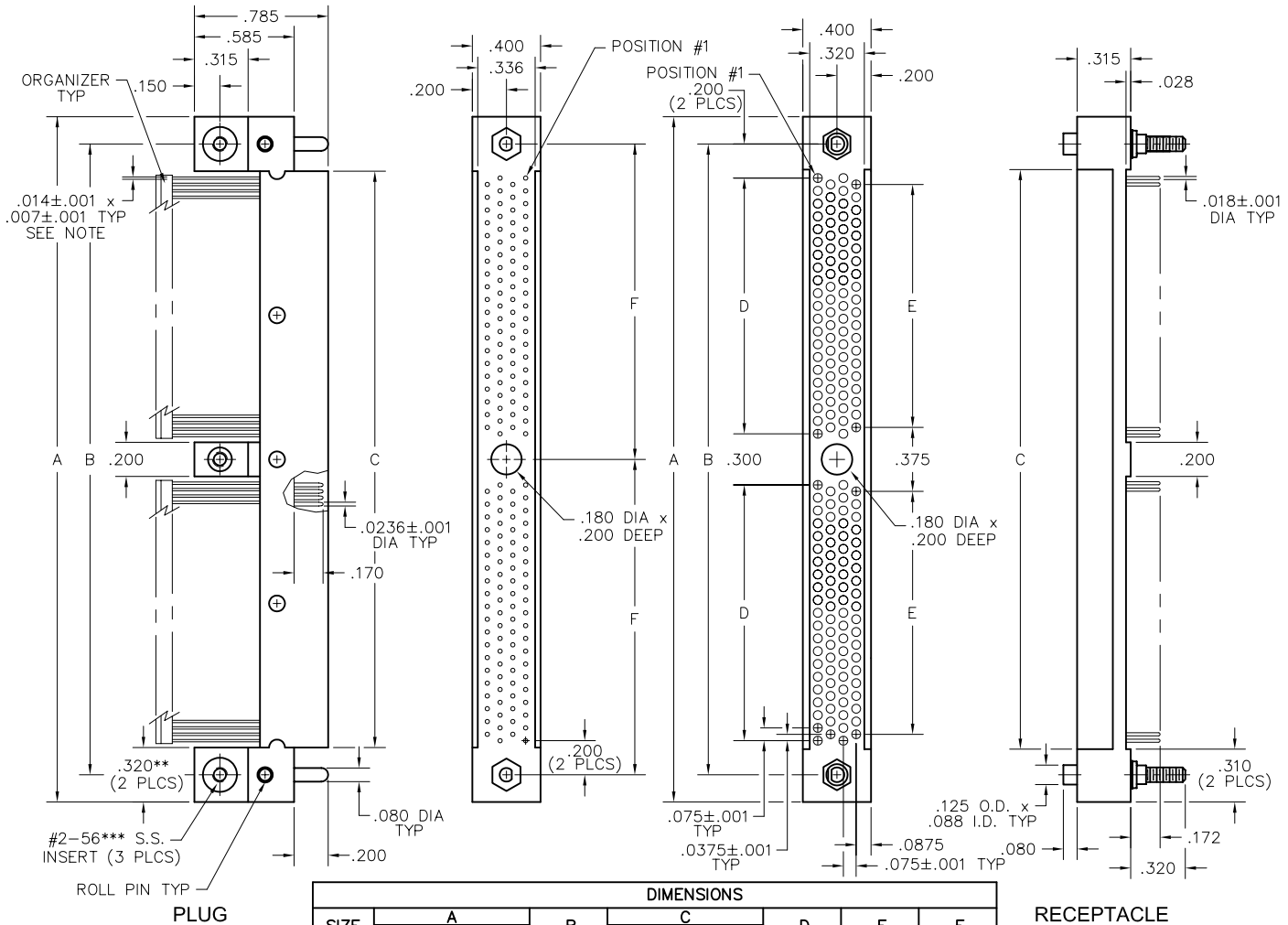
RM422-164-832-9601

# 4 • ROW Daughterboard to Motherboard or Chassis

.075"

**RM4**

86 thru 404 Contacts



SIZE	DIMENSIONS							
	A		B	C		D	E	F
	PLUG	RCPT		PLUG	RCPT			
86*	2.255	2.295	1.975	1.655	1.675	1.575	1.500	-
110*	2.745	2.745	2.425	2.105	2.125	2.025	1.950	-
164	4.020	4.020	3.700	3.380	3.400	1.500	1.425	1.850
196	4.620	4.620	4.300	3.980	4.000	1.800	1.725	2.150
204	4.770	4.770	4.450	4.130	4.150	1.875	1.800	2.225
220	5.070	5.070	4.750	4.430	4.450	2.025	1.950	2.375
250*	5.370	5.370	5.050	4.730	4.750	4.650	4.575	-
276	6.120	6.120	5.800	5.480	5.500	2.550	2.475	2.900
300	6.570	6.570	6.250	5.930	5.950	2.775	2.700	3.125
404	8.520	8.520	8.200	7.880	7.900	3.750	3.675	4.100

**RECEPTACLE**
**NOTES:**

\* = Single section, no center mounting hole.

\*\* = .280" for 86 position

\*\*\* = Insert is #4-40 for size 404.

Refer to SMT Configuration Chart (R-56) for available options.

**PLUG:** RM412-164-192-9501-933  
**RECEPTACLE:** RM422-164-832-9601  
 XXXXX-XXX-XXX-XXXX-XXX

<b>PLUG</b>	<b>RECEPTACLE</b>
<b>SERIES</b>	
RM .075" Screw Machine PC Connector	RM .075" Screw Machine PC Connector
<b>BODY</b>	
4 4-Row	4 4-Row
<b>BODY STYLE:</b> 1 Plug, straight, with mounting ears	<b>BODY STYLE:</b> 2 Receptacle, straight, without mounting ears
<b>BODY MATERIAL:</b> 2 Polyphenylene sulfide (PPS)	<b>BODY MATERIAL:</b> 2 Polyphenylene sulfide (PPS)
<b>SIZE</b>	
086, 110, 164, 196, 204, 220, 250, 276, 300, 404	086, 110, 164, 196, 204, 220, 250, 276, 300, 404
<b>CONTACTS</b>	
<b>TYPE CONTACTS/TERMINATIONS:</b> 19 Pin, SMT, .014" x .007" tail, scored for organizer removal (see R-56) 39 Pin, SMT, .014" x .007" tail, unscored	<b>TYPE CONTACTS/TERMINATIONS:</b> 75 Socket, straight, dip solder, .250" x .018" dia 76 Socket, straight, solder cup 77 Socket, straight, flex, .093" x .017" dia 78 Socket, straight, wire wrap®, .500" x .018" sq 79 Socket, straight, wire wrap®, .375" x .018" sq 81 Socket, straight, dip solder, .109" x .018" dia 82 Socket, straight, dip solder, .140" x .018" dia 83 Socket, straight, dip solder, .172" x .018" dia 87 Socket, straight, press-fit, .188" (Board: .093" - .125" thk) 88 Socket, straight, press-fit, .308" (Board: .156" - .200" thk) 89 Socket, straight, press-fit, .388" (Board: .250"+ thk)
<b>PLATING OPTIONS:</b> 2 Pre-tinned termination, SnPb alloy <input checked="" type="checkbox"/> 3 Pre-tinned termination, SAC305 alloy	<b>PLATING OPTIONS:</b> 1 Gold plated termination 2 Pre-tinned termination, SnPb alloy (dip solder options only) <input checked="" type="checkbox"/> 3 Pre-tinned termination, SAC305 alloy (dip solder options only)
<b>HARDWARE</b>	
<b>STYLE OF HARDWARE:</b> 0256 None 83 Fixed jackset, reversed, installed 90 Guide pins, full round, installed 93 Fixed jackset, installed 95 Guide pins, polarized, unassembled 9501 - 9536 Guide pins, polarized, installed 99 Guide pins, universal, installed	<b>STYLE OF HARDWARE:</b> 0256 None 82 Hex turning jackset, reversed, installed, .200 knob 83 Fixed jackset, reversed, installed, #2-56 x .247" thd ext 84 Fixed jackset, reversed, installed, #2-56 x .320" thd ext 91 Guide sockets, full round, installed, #2-56 x .247" thd ext 92 Hex turning jackset, installed, .200 knob 93 Fixed jackset, installed, #2-56 x .247" thd ext 94 Fixed jackset, installed, #2-56 x .320" thd ext 96 Guide sockets, polarized, unassembled, #2-56 x .320" thd ext 9601 - 9636 Guide sockets, polarized, installed, #2-56 x .320" thd ext 97 Guide sockets, polarized, unassembled, #2-56 x .247" thd ext 9701 - 9736 Guide sockets, polarized, installed, #2-56 x .247" thd ext 98 Guide sockets, universal, installed, #2-56 x .247" thd ext
<b>POLARIZATION:</b> 00 None 01 thru 36 are special identifiers, see page R-57	<b>POLARIZATION</b> 00 None 01 thru 36 are special identifiers, see page R-57
<b>OPTIONS</b>	
9XX SMT configuration code, see page R-56	

= Option not RoHS compliant

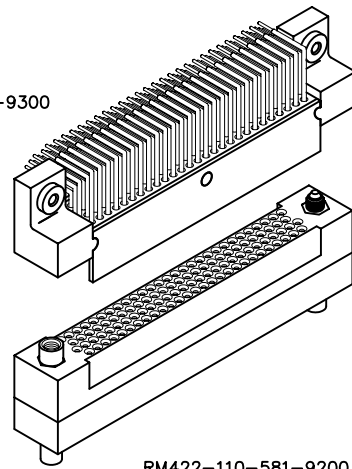
# 4 • ROW Cable or Board to Crimp Removable

.075"

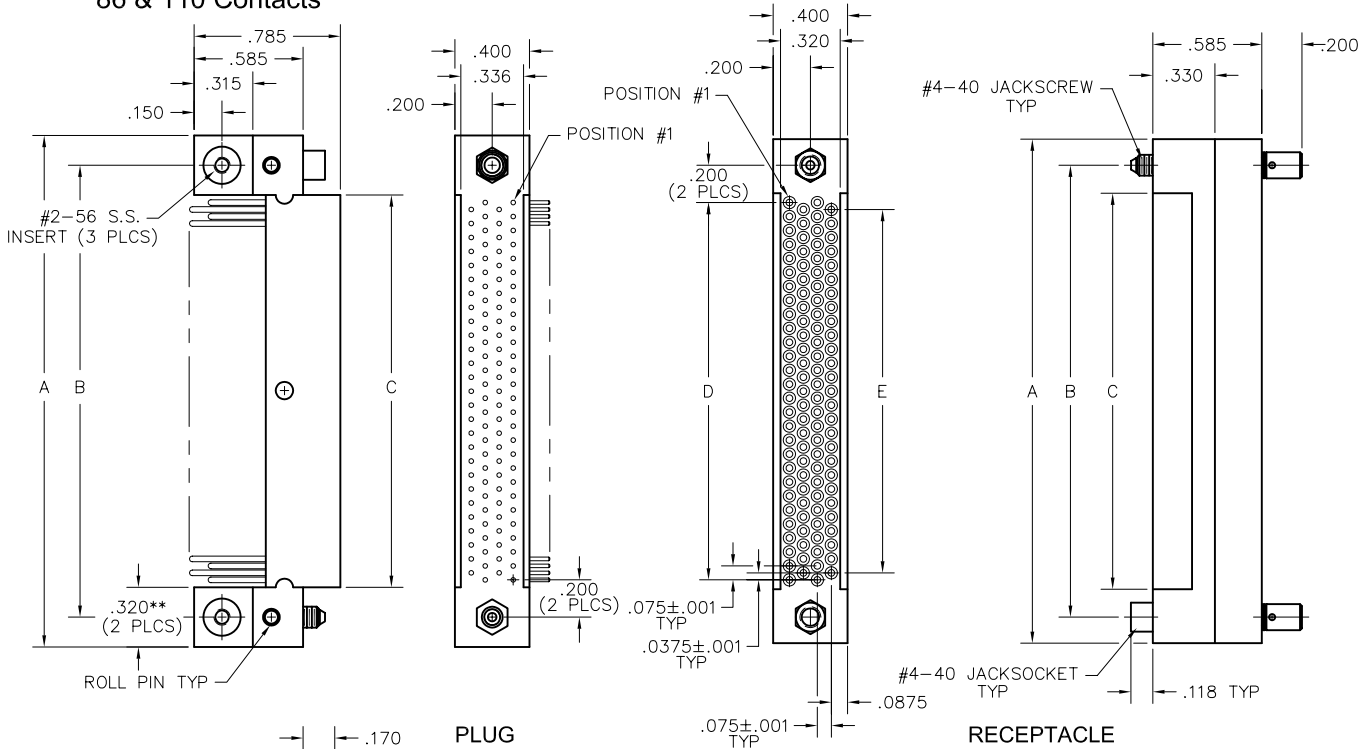
**RM4**

86 & 110 Contacts

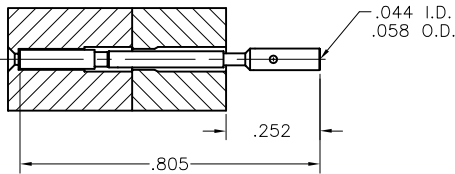
RM452-110-312-9300



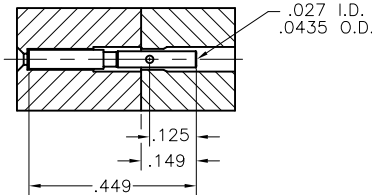
RM422-110-581-9200



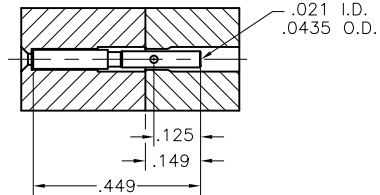
**NOTES:**  
 \* = Single section, no center mounting hole.  
 \*\* = .280" for 86 position  
 When using crimp contacts with 20 gage barrel, barrel must be cut off prior to removing contact from connector body.



20-22 AWG



24-26 AWG



28-30 AWG

CRIMP REMOVABLE CONTACTS	
SIZE	PART NUMBER
20-22 AWG	RM400-000-571-0000
24-26 AWG	RM400-000-581-0000
28-30 AWG	RM400-000-591-0000

SIZE	DIMENSIONS					
	A	B	C		D	E
			PLUG	RCPT		
86*	2.255	1.975	1.655	1.675	1.575	1.500
110*	2.745	2.425	2.105	2.125	2.025	1.950



**PLUG:** RM452-110-312-9300  
**RECEPTACLE:** RM422-110-581-9200  
 XXXXX-XXX-XXX-XXXX

**PLUG**

**RECEPTACLE**

**SERIES**

RM .075" Screw Machine PC Connector | RM .075" Screw Machine PC Connector

**BODY**

4	4-Row	4	4-Row
5	BODY STYLE: Plug, right angle, with mounting ears	2	BODY STYLE: Receptacle, straight, without mounting ears
2	BODY MATERIAL: Polyphenylene sulfide (PPS)	2	BODY MATERIAL: Polyphenylene sulfide (PPS)

**SIZE**

086, 110 | 086, 110

**CONTACTS**

<b>TYPE CONTACTS/TERMINATIONS:</b>		<b>TYPE CONTACTS/TERMINATIONS:</b>	
31	Pin, right angle, dip solder, .109" x .019" dia	00	Contacts not supplied
32	Pin, right angle, dip solder, .140" x .019" dia	57	Socket, straight, crimp removable (20-22 AWG)*
33	Pin, right angle, dip solder, .172" x .019" dia	58	Socket, straight, crimp removable (24-26 AWG)*
34	Pin, right angle, dip solder, .250" x .019" dia	59	Socket, straight, crimp removable (28-30 AWG)*
<b>PLATING OPTIONS:</b>		<b>PLATING OPTIONS:</b>	
1	Gold plated termination	0	No plating (use with Contact Option "00" only)
2	Pre-tinned termination, SnPb alloy <input checked="" type="checkbox"/>	1	Gold plated termination
3	Pre-tinned termination, SAC305 alloy		

**HARDWARE**

<b>STYLE OF HARDWARE:</b>		<b>STYLE OF HARDWARE:</b>	
0256	None	0256	None
83	Fixed jackset, reversed, installed	82	Hex turning jackset, reversed, installed, .200 knob
90	Guide pins, full round, installed	91	Guide sockets, full round, installed
93	Fixed jackset, installed	92	Hex turning jackset, installed, .200" knob
95	Guide pins, polarized, unassembled	96	Guide sockets, polarized, unassembled
9501 - 9536	Guide pins, polarized, installed	9601 - 9636	Guide sockets, polarized, installed
99	Guide pins, universal, installed	98	Guide sockets, universal, installed
<b>POLARIZATION:</b>		<b>POLARIZATION</b>	
00	None	00	None
01	thru 36 are special identifiers, see page R-57	01	thru 36 are special identifiers, see page R-57

- \* Full compliment of crimp removable sockets packaged with connectors
1. Crimp tool - AirBorn part number: CDG4601, Mil Spec number M22520/2-01
  2. Crimp positioner - AirBorn part number: CDG4602 (24-26 AWG and 28-30 AWG)  
CDG4603 (20-22 AWG)
  3. Crimp removal tool - AirBorn part number: CDG8161 (All AWGs)
  4. Crimp contact part number on previous page.

= Option not RoHS compliant

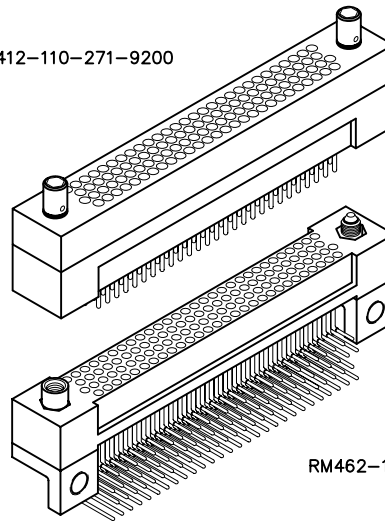
# 4 • ROW Crimp Removable to Board

.075"

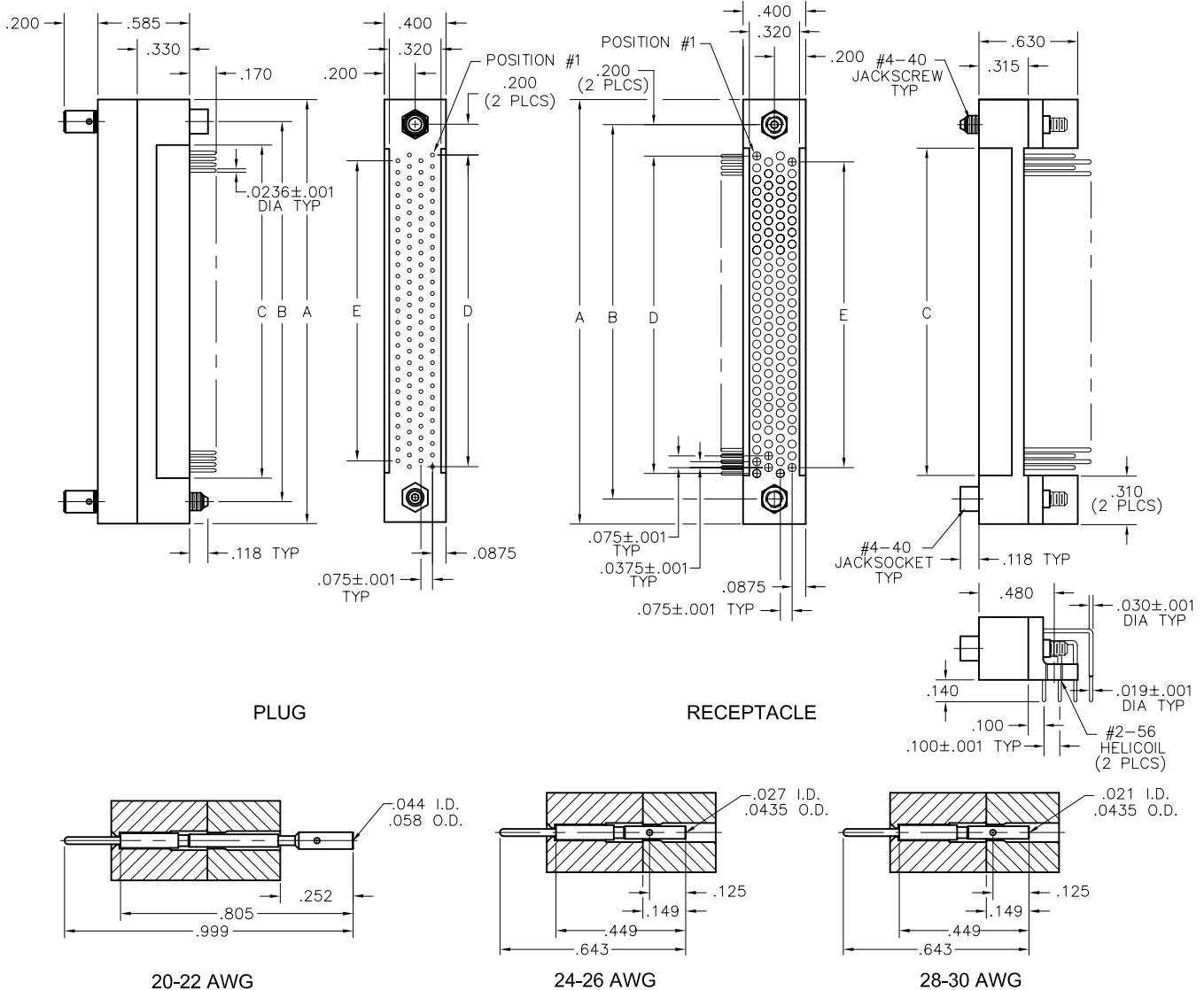
**RM4**

86 & 110 Contacts

RM412-110-271-9200



RM462-110-852-9300



CRIMP REMOVABLE CONTACTS	
SIZE	PART NUMBER
20-22 AWG	RM400-000-261-0000
24-26 AWG	RM400-000-271-0000
28-30 AWG	RM400-000-281-0000

SIZE	DIMENSIONS		C		D	E
	A	B	PLUG	RCPT		
86	2.255	1.975	1.655	1.675	1.575	1.500
110	2.745	2.425	2.105	2.125	2.025	1.950

**PLUG:** RM412-110-271-9200  
**RECEPTACLE:** RM462-110-852-9300  
 XXXXX-XXX-XXX-XXXX

**PLUG**

**RECEPTACLE**

**SERIES**

RM .075" Screw Machine PC Connector | RM .075" Screw Machine PC Connector

**BODY**

4 4-Row | 4 4-Row

**BODY STYLE:**  
 1 Plug, straight, without mounting ears | 6 Receptacle, right angle, with mounting ears

**BODY MATERIAL:**  
 2 Polyphenylene sulfide (PPS) | 2 Polyphenylene sulfide (PPS)

**SIZE**

086, 110 | 086, 110

**CONTACTS**

<p><b>TYPE CONTACTS/TERMINATIONS:</b>          00 Contacts not supplied          26 Pin, straight, crimp removable (20-22 AWG)*          27 Pin, straight, crimp removable (24-26 AWG)*          28 Pin, straight, crimp removable (28-30 AWG)*</p>	<p><b>TYPE CONTACTS/TERMINATIONS:</b>          84 Socket, right angle, dip solder, .109" x .019" dia          85 Socket, right angle, dip solder, .140" x .019" dia          86 Socket, right angle, dip solder, .172" x .019" dia</p>
---	--

<p><b>PLATING OPTIONS:</b>          0 No plating (use with Contact Option "00" only)          1 Gold plated termination</p>	<p><b>PLATING OPTIONS:</b>          1 Gold plated termination          2 Pre-tinned termination, SnPb alloy <input checked="" type="checkbox"/>          3 Pre-tinned termination, SAC305 alloy</p>
---	---

**HARDWARE**

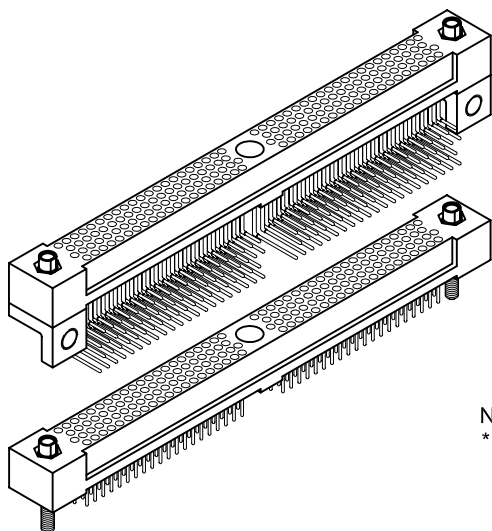
<p><b>STYLE OF HARDWARE:</b>          0256 None          82 Hex turning jackset, reversed, installed, .200" knob          83 Fixed jackset, reversed, installed,          90 Guide pins, full round, installed          92 Hex turning jackset, installed, .200" knob          93 Fixed jackset, installed          95 Guide pins, polarized, unassembled          9501 - 9536 Guide pins, polarized, installed          99 Guide pins, universal, installed</p>	<p><b>STYLE OF HARDWARE:</b>          0256 None          82 Hex turning jackset, reversed, installed, .200 knob          83 Fixed jackset, reversed, installed, #2-56 x .247 thd ext          84 Fixed jackset, reversed, installed, #2-56 x .320 thd ext          91 Guide sockets, full round, installed, #2-56 x .247" thd ext          92 Hex turning jackset, installed, .200 knob          93 Fixed jackset, installed, #2-56 x .247" thd ext          94 Fixed jackset, installed, #2-56 x .320" thd ext          96 Guide sockets, polarized, unassembled, #2-56 x .320" thd ext          9601 - 9636 Guide sockets, polarized, installed, #2-56 x .320" thd ext          97 Guide sockets, polarized, unassembled, #2-56 x .247" thd ext          9701 - 9736 Guide sockets, polarized, installed, #2-56 x .247" thd ext          98 Guide sockets, universal, installed, #2-56 x .247" thd ext</p> <p>Note: Includes mounting bracket when right angle contacts are supplied</p>
--	--

<p><b>POLARIZATION:</b>          00 None          01 thru 36 are special identifiers, see page R-57</p>	<p><b>POLARIZATION</b>          00 None          01 thru 36 are special identifiers, see page R-57</p>
---	--

- \* Full compliment of crimp removable sockets packaged with connectors
1. Crimp tool - AirBorn part number: CDG4601, Mil Spec number M22520/2-01
  2. Crimp positioner - AirBorn part number: CDG4602 (24-26 AWG and 28-30 AWG)  
 CDG4603 (20-22 AWG)
  3. Crimp removal tool - AirBorn part number: CDG8161 (All AWGs)
  4. Crimp contact part number on previous page.

= Option not RoHS compliant





DIMENSIONS			
SIZE	A	B	C
86*	1.975	1.575	1.500
110*	2.425	2.025	1.950
164	3.700	1.500	1.425
196	4.300	1.800	1.725
204	4.450	1.875	1.800
220	4.750	2.025	1.950
250*	5.050	4.650	4.575
276	5.800	2.550	2.475
300	6.250	2.775	2.700
404	8.200	3.750	3.675

# 4 • ROW

## Right Angle PTH Rcpt

## Straight PTH Rcpt

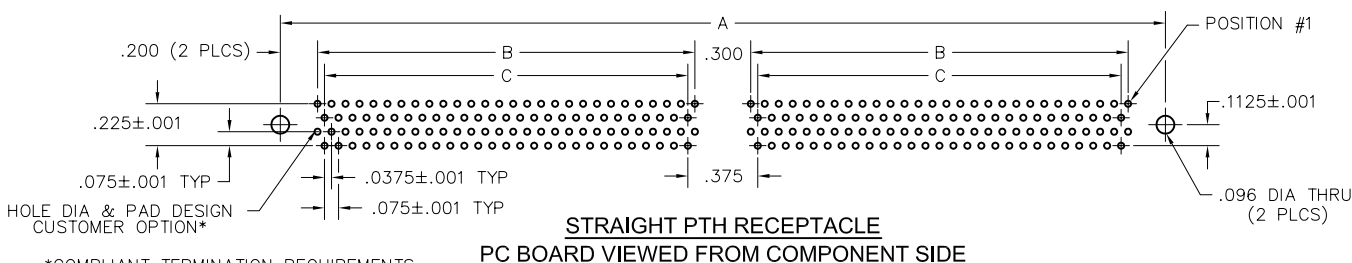
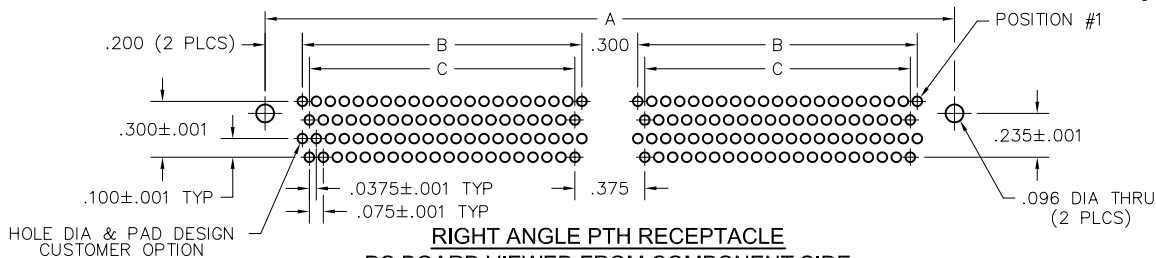
.075"

**RM4**

NOTES:  
\* = Single section, no center mounting hole

86 thru 404 Contacts

Recommended Board Layout



\*COMPLIANT TERMINATION REQUIREMENTS:  
Board Material: FR-4 w/ 1.0 oz. copper  
Minimum nominal board thickness: .062"  
Drilled hole: .0319"-.0339"  
Copper plating thickness: .0010" minimum  
Tin-lead plating thickness: .0006" maximum  
Electroplated tin-lead composition: 63/37 (Sn/Pb)  
Finished hole diameter: .028"±.002"

SIZE	CONTACT ID	SIZE	CONTACT ID
86*		220	
110*		250*	
164		276	
196		300	
204		404	

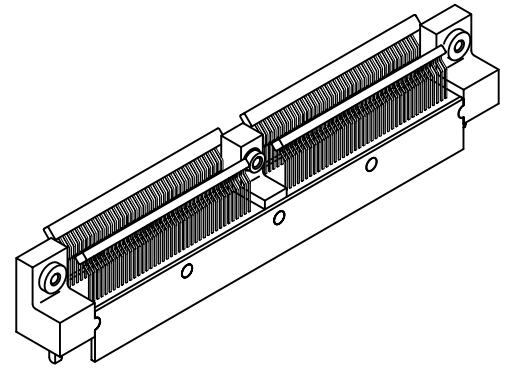
# 4 ROW

## Straight SMT Plug

.075"

**RM4**

DIMENSIONS			
SIZE	A	B	C
86*	1.975	1.575	-
110*	2.425	2.025	-
164	3.700	1.500	1.850
196	4.300	1.800	2.150
204	4.450	1.875	2.225
220	4.750	2.025	2.375
250*	5.050	4.650	-
276	5.800	2.550	2.475
300	6.250	2.775	3.125
404	8.200	3.750	4.100

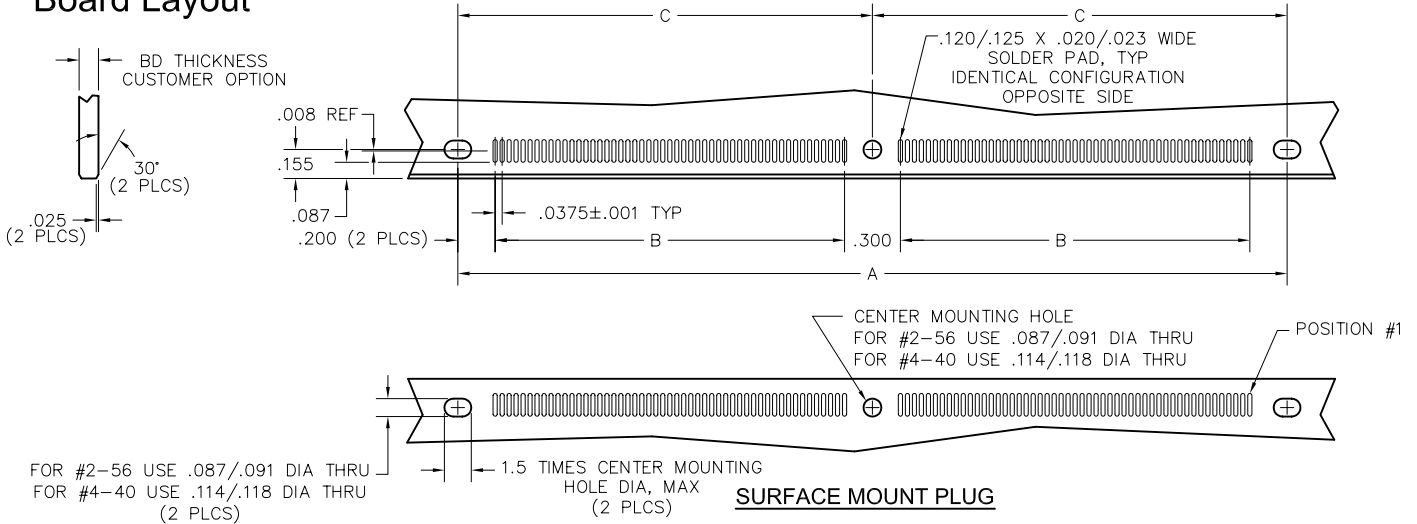


86 thru 404 Contacts

### Recommended Board Layout

**NOTES:**

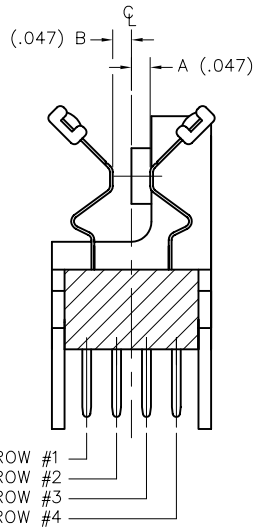
\* = Single section, no center mounting hole



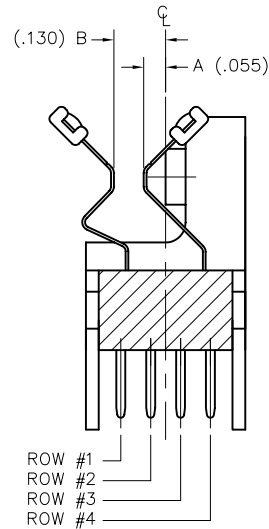
FOR #2-56 USE .087/.091 DIA THRU  
FOR #4-40 USE .114/.118 DIA THRU  
(2 PLCS)

SIZE	CONTACT ID	SIZE	CONTACT ID
86*	C 65	220	C 166
	C 43		C 220
	C 21		C 163
	C 42		C 109
	C 20		C 54
110*	C 83	250*	C 188
	C 110		C 250
	C 27		C 187
	C 54		C 49
	C 26		C 61
164	C 42	276	C 208
	C 82		C 276
	C 41		C 207
	C 81		C 137
	C 40		C 68
196	C 50	300	C 226
	C 98		C 300
	C 49		C 225
	C 97		C 149
	C 48		C 74
204	C 154	404	C 404
	C 204		C 308
	C 51		C 307
	C 203		C 40
	C 50		C 305

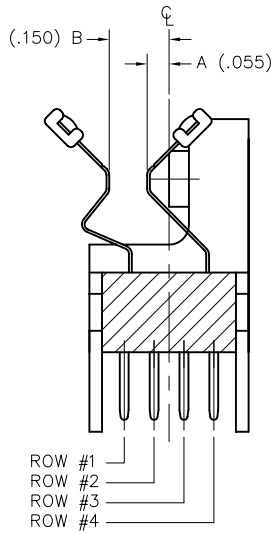
# SMT Configuration Options



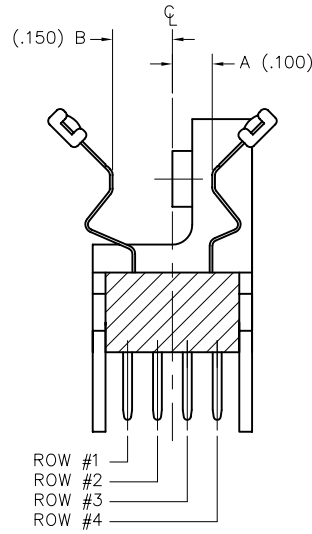
STYLE 933



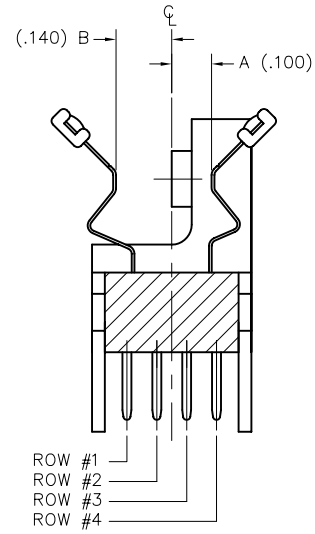
STYLE 925



STYLE 927



STYLE 947



STYLE 946

DISTANCE FROM  $\zeta$  (A)

- 1 .005
- 2 .055

DISTANCE FROM  $\zeta$  (A OR B)

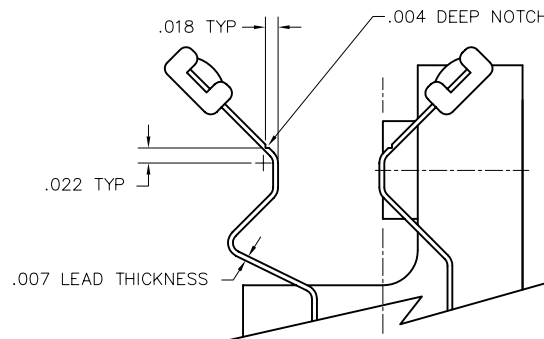
- 3 .047
- 4 .100
- 5 .130
- 6 .140
- 7 .150
- 8 .070
- 9 .080

DISTANCE FROM  $\zeta$  (B)

- 0 .090

**NOTES:**

1. Various board thicknesses can be accommodated by specifying A and B designators. For example: 9 (A)(B)
2. Consult factory for other available options.



CONTACT NOTCH DETAIL



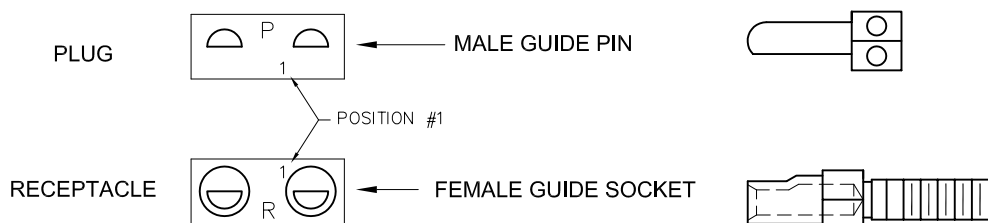


# Polarization

## 4 Row and 6 Row

D-Shaped Guide Hardware

01		07		13		19		25		31	
02		08		14		20		26		32	
03		09		15		21		27		33	
04		10		16		22		28		34	
05		11		17		23		29		35	
06		12		18		24		30		36	



Select the appropriate two digit number above and include as the last two digits of the hardware code in the part number.

Example:

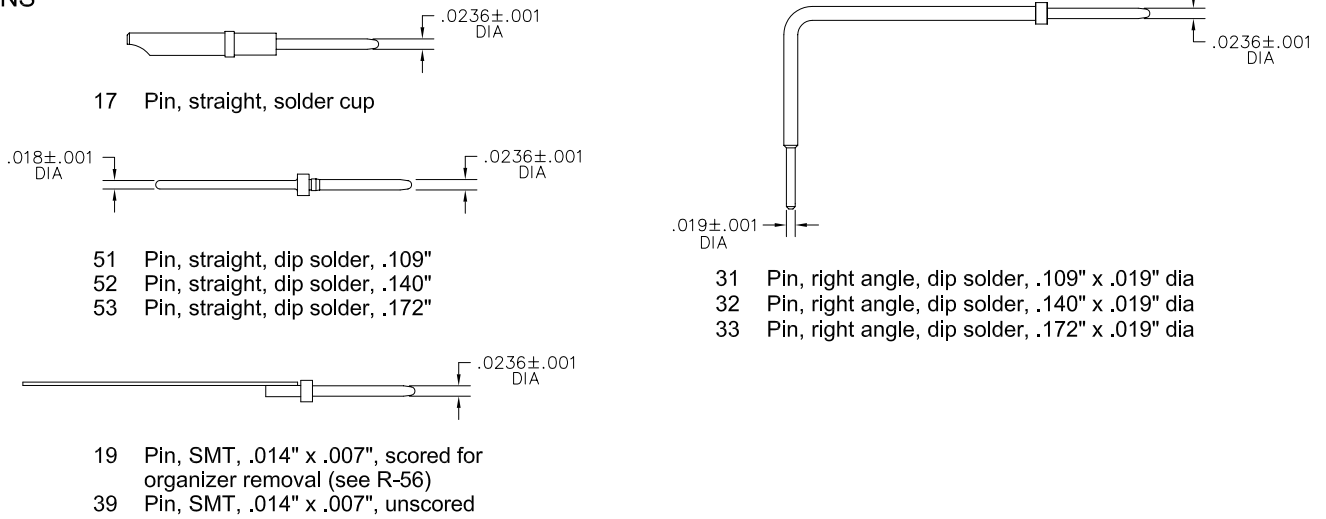
Plug RM452-220-311-9501

Receptacle RM462-220-811-9601

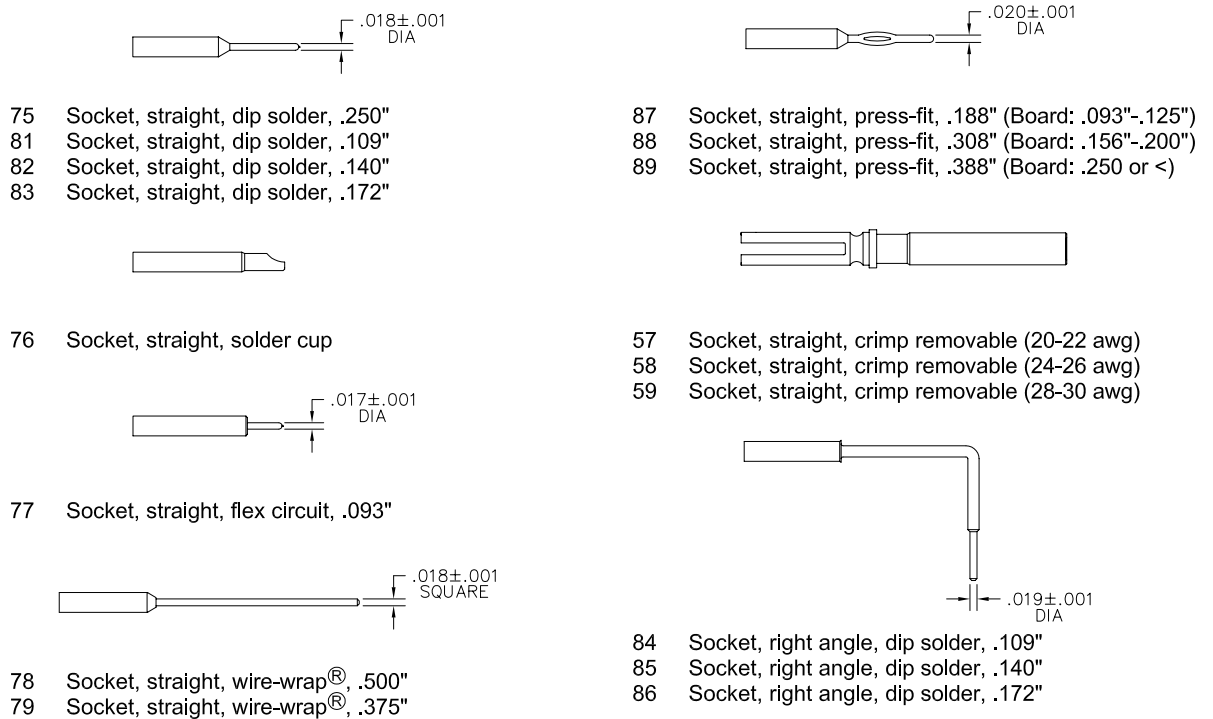
# Contacts 4 Row

## Pins and Sockets

### PINS



### SOCKETS





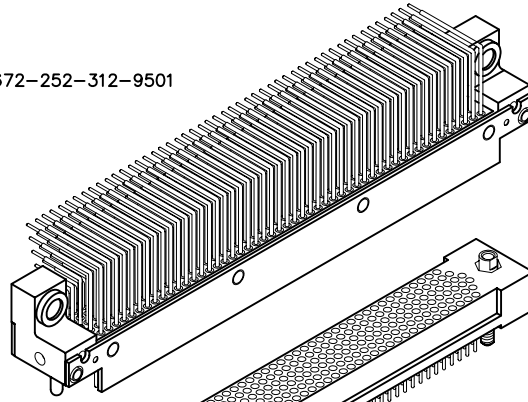
# 6 · ROW Daughterboard to Motherboard or Chassis

.075"

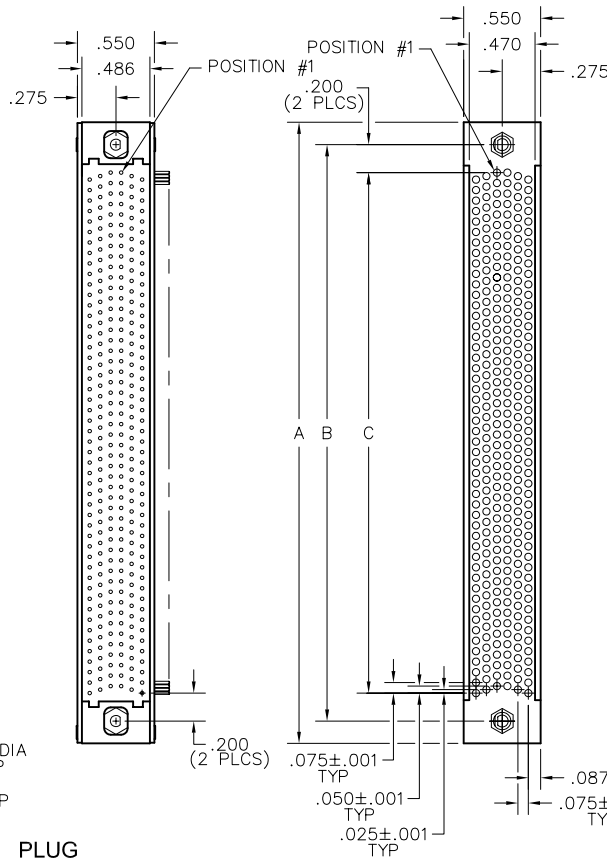
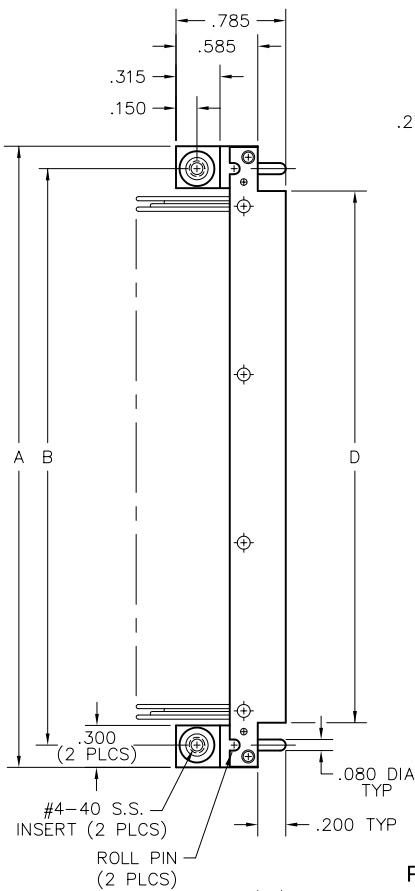
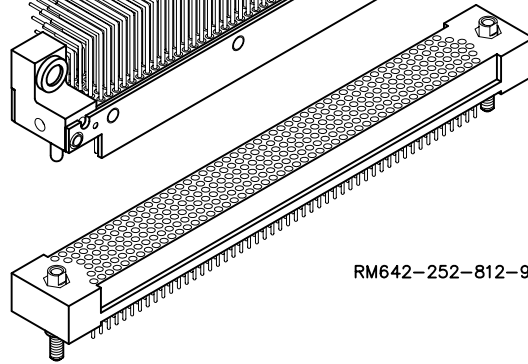
**RM6**

162 thru 402 Contacts

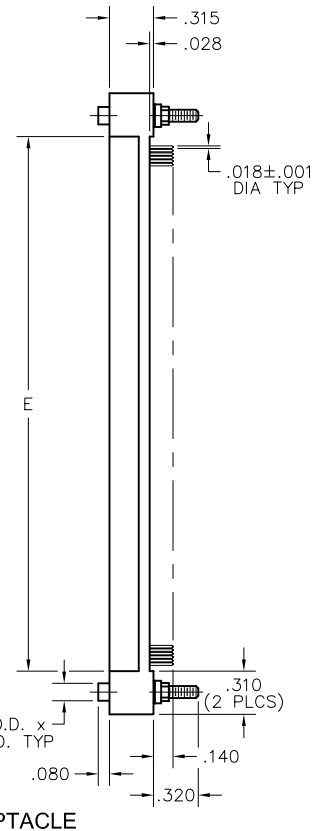
RM672-252-312-9501



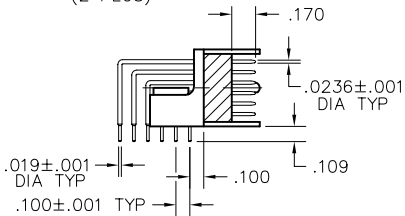
RM642-252-812-9601



PLUG



RECEPTACLE



DIMENSIONS					
SIZE	A	B	C	D	E
162	2.720	2.400	2.000	2.080	2.100
204	3.245	2.925	2.525	2.605	2.625
252	3.845	3.525	3.125	3.205	3.225
300	4.445	4.125	3.725	3.805	3.825
360	5.195	4.875	4.475	4.550	4.575
402	5.720	5.400	5.000	5.080	5.100

**PLUG:** RM672-252-312-9501  
**RECEPTACLE:** RM642-252-812-9601  
 XXXXX-XXX-XXX-XXXX

PLUG		RECEPTACLE	
<b>SERIES</b>			
RM .075" Screw Machine PC Connector		RM .075" Screw Machine PC Connector	
<b>BODY</b>			
6	6-Row	6	6-Row
<b>BODY STYLE:</b>		<b>BODY STYLE:</b>	
7	Plug, right angle, with mounting ears	4	Receptacle, straight, with mounting ears
<b>BODY MATERIAL:</b>		<b>BODY MATERIAL:</b>	
2	Polyphenylene sulfide (PPS)	2	Polyphenylene sulfide (PPS)
<b>SIZE</b>			
162, 204, 252, 300, 360, 402		162, 204, 252, 300, 360, 402	
<b>CONTACTS</b>			
<b>TYPE CONTACTS/TERMINATIONS:</b>		<b>TYPE CONTACTS/TERMINATIONS:</b>	
31	Pin, right angle, dip solder, .109" x .019" dia	75	Socket, straight, dip solder, .250" x .018" dia
32	Pin, right angle, dip solder, .140" x .019" dia	76	Socket, straight, solder cup
33	Pin, right angle, dip solder, .172" x .019" dia	77	Socket, straight, flex, .093" x .017" dia
34	Pin, right angle, dip solder, .250" x .019" dia	81	Socket, straight, dip solder, .109" x .018" dia
		82	Socket, straight, dip solder, .140" x .018" dia
		83	Socket, straight, dip solder, .172" x .018" dia
		87	Socket, straight, press-fit, .188" (Board: .093" - .125" thk)
		88	Socket, straight, press-fit, .308" (Board: .156" - .200" thk)
		89	Socket, straight, press-fit, .388" (Board: .250"+ thk)
<b>PLATING OPTIONS:</b>		<b>PLATING OPTIONS:</b>	
1	Gold plated termination	1	Gold plated termination
2	Pre-tinned termination, SnPb alloy <input checked="" type="checkbox"/>	2	Pre-tinned termination, SnPb alloy (dip solder options only) <input checked="" type="checkbox"/>
3	Pre-tinned termination, SAC305 alloy	3	Pre-tinned termination, SAC305 alloy (dip solder options only)
<b>HARDWARE</b>			
<b>STYLE OF HARDWARE:</b>		<b>STYLE OF HARDWARE:</b>	
0256	None	0256	None
83	Fixed jackset, reversed, installed	82	Hex turning jackset, reversed, installed, .200 knob
90	Guide pins, full round, installed	83	Fixed jackset, reversed, installed, #2-56 x .247" thd ext
93	Fixed jackset, installed	84	Fixed jackset, reversed, installed, #2-56 x .320" thd ext
95	Guide pins, polarized, unassembled	91	Guide sockets, full round, installed, #2-56 x .247" thd ext
9501 - 9536	Guide pins, polarized, installed	92	Hex turning jackset, installed, .200 knob
99	Guide pins, universal, installed	93	Fixed jackset, installed, #2-56 x .247" thd ext
		94	Fixed jackset, installed, #2-56 x .320" thd ext
		96	Guide sockets, polarized, unassembled, #2-56 x .320" thd ext
		9601 - 9636	Guide sockets, polarized, installed, #2-56 x .320" thd ext
		97	Guide sockets, polarized, unassembled, #2-56 x .247" thd ext
		9701 - 9736	Guide sockets, polarized, installed, #2-56 x .247" thd ext
		98	Guide sockets, universal, installed, #2-56 x .247" thd ext
<b>POLARIZATION:</b>		<b>POLARIZATION:</b>	
00	None	00	None
01	thru 36 are special identifiers, see page R-57	01	thru 36 are special identifiers, see page R-57

= Option not RoHS compliant



**PLUG:** RM632-252-522-9501  
**RECEPTACLE:** RM682-252-852-9601  
 XXXXX-XXX-XXX-XXXX

**PLUG**

**RECEPTACLE**

SERIES	
RM .075" Screw Machine PC Connector	RM .075" Screw Machine PC Connector

BODY	
6 6-Row	6 6-Row
BODY STYLE: 3 Plug, straight, without mounting ears	BODY STYLE: 8 Receptacle, right angle, with mounting brackets
BODY MATERIAL: 2 Polyphenylene sulfide (PPS)	BODY MATERIAL: 2 Polyphenylene sulfide (PPS)

SIZE	
162, 204, 252, 300, 360, 402	162, 204, 252, 300, 360, 402

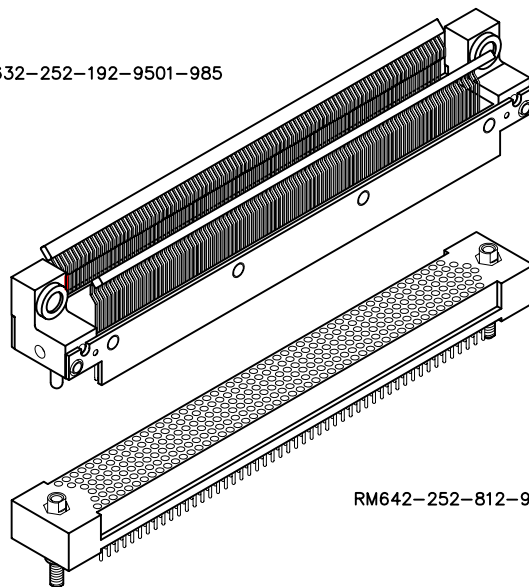
CONTACTS	
TYPE CONTACTS/TERMINATIONS: 17 Pin, straight, solder cup 40 Pin, straight, flex .093" x .017" dia 51 Pin, straight, dip solder, .109" x .018" dia 52 Pin, straight, dip solder, .140" x .018" dia 53 Pin, straight, dip solder, .172" x .018" dia 54 Pin, straight, dip solder, .250" x .018" dia	TYPE CONTACTS/TERMINATIONS: 84 Socket, right angle, dip solder, .109" x .019" dia 85 Socket, right angle, dip solder, .140" x .019" dia 86 Socket, right angle, dip solder, .172" x .019" dia
PLATING OPTIONS: 1 Gold plated termination 2 Pre-tinned termination, SnPb alloy (dip solder options only) <input checked="" type="checkbox"/> 3 Pre-tinned termination, SAC305 alloy (dip solder options only)	PLATING OPTIONS: 1 Gold plated termination 2 Pre-tinned termination, SnPb alloy <input checked="" type="checkbox"/> 3 Pre-tinned termination, SAC305 alloy

HARDWARE	
STYLE OF HARDWARE: 0256 None 82 Hex turning jackset, reversed, installed, .200 knob 83 Fixed jackset, reversed, installed #2-56 x .247" thd ext 84 Fixed jackset, reversed, installed #2-56 x .320" thd ext 90 Guide pins, full round, installed #2-56 x .320" thd ext 92 Hex turning jackset, installed, .200 knob 93 Fixed jackset, installed, #2-56 x .247" thd ext 94 Fixed jackset, installed, #2-56 x .320" thd ext 95 Guide pins, polarized, unassembled, #2-56 x .320" thd ext 9501 - 9536 Guide pins, polarized, installed, #2-56 x .320" thd ext 99 Guide pins, universal, installed #2-56 x .320" thd ext	STYLE OF HARDWARE: 0256 None 82 Hex turning jackset, reversed, installed, .200 knob 83 Fixed jackset, reversed, installed 91 Guide sockets, full round, installed 92 Hex turning jackset, installed, .200 knob 93 Fixed jackset, installed 96 Guide sockets, polarized, unassembled 9601 - 9636 Guide sockets, polarized, installed 97 Guide sockets, polarized, unassembled 9701 - 9736 Guide sockets, polarized, installed 98 Guide sockets, universal, installed  Note: Includes mounting bracket when right angle contacts are supplied
POLARIZATION: 00 None 01 thru 36 are special identifiers, see page R-57	POLARIZATION: 00 None 01 thru 36 are special identifiers, see page R-57

= Option not RoHS compliant



RM632-252-192-9501-985



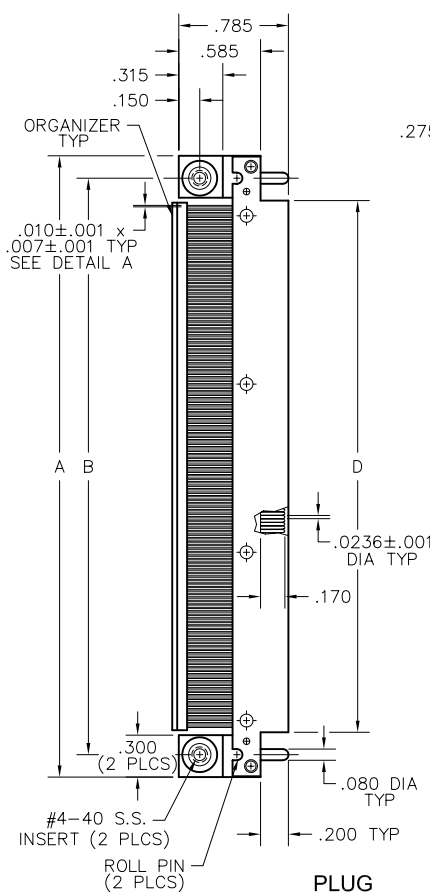
RM642-252-812-9601

# 6 • ROW Daughterboard to Motherboard or Chassis

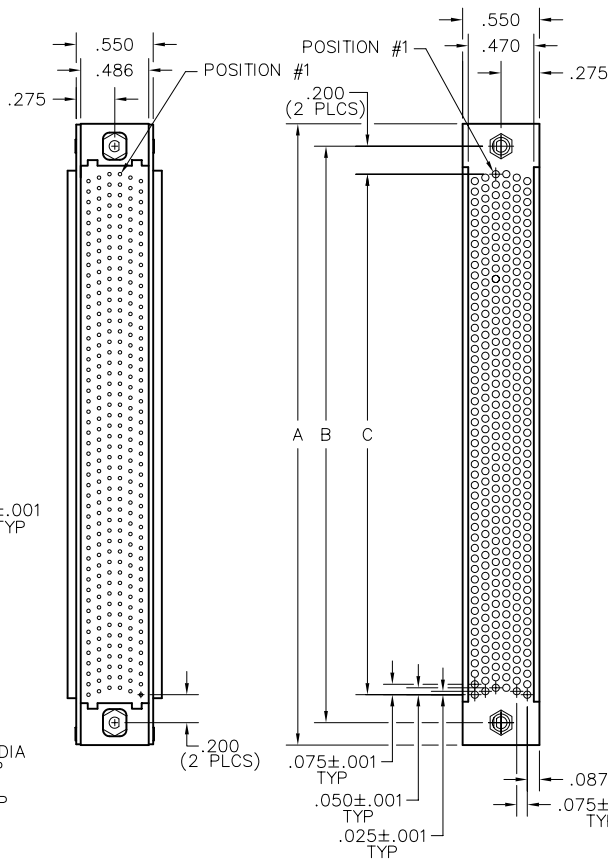
.075"

**RM6**

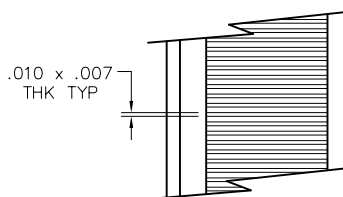
162 thru 402 Contacts



PLUG



RECEPTACLE



DETAIL A

DIMENSIONS					
SIZE	A	B	C	D	E
162	2.720	2.400	2.000	2.080	2.100
204	3.245	2.925	2.525	2.605	2.625
252	3.845	3.525	3.125	3.205	3.225
300	4.445	4.125	3.725	3.805	3.825
360	5.195	4.875	4.475	4.550	4.575
402	5.720	5.400	5.000	5.080	5.100



**PLUG:** RM632-252-192-9501-985  
**RECEPTACLE:** RM642-252-812-9601  
 XXXXX-XXX-XXX-XXXX-XXX

**PLUG**

**RECEPTACLE**

SERIES	
RM .075" Screw Machine PC Connector	RM .075" Screw Machine PC Connector

BODY	
6 6-Row	6 6-Row
BODY STYLE: 3 Plug, straight, with mounting ears	BODY STYLE: 4 Receptacle, straight, with mounting ears
BODY MATERIAL: 2 Polyphenylene sulfide (PPS)	BODY MATERIAL: 2 Polyphenylene sulfide (PPS)

SIZE	
162, 204, 252, 300, 360, 402	162, 204, 252, 300, 360, 402

CONTACTS	
TYPE CONTACTS/TERMINATIONS: 19 Pin, SMT, .014" x .007" tail, scored for organizer removal (see R-56) 39 Pin, SMT, .014" x .007" tail, unscored	TYPE CONTACTS/TERMINATIONS: 75 Socket, straight, dip solder, .250" x .018" dia 76 Socket, straight, solder cup 77 Socket, straight, flex, .093" x .017" dia 81 Socket, straight, dip solder, .109" x .018" dia 82 Socket, straight, dip solder, .140" x .018" dia 83 Socket, straight, dip solder, .172" x .018" dia 87 Socket, straight, press-fit, .188" (Board: .093" - .125" thk) 88 Socket, straight, press-fit, .308" (Board: .156" - .200" thk) 89 Socket, straight, press-fit, .388" (Board: .250"+ thk)
PLATING OPTIONS: 2 Pre-tinned termination, SnPb alloy <input checked="" type="checkbox"/> 3 Pre-tinned termination, SAC305 alloy	PLATING OPTIONS: 1 Gold plated termination 2 Pre-tinned termination, SnPb alloy (dip solder options only) <input checked="" type="checkbox"/> 3 Pre-tinned termination, SAC305 alloy (dip solder options only)

HARDWARE	
STYLE OF HARDWARE: 0256 None 83 Fixed jackset, reversed, installed 90 Guide pins, full round, installed 93 Fixed jackset, installed 95 Guide pins, polarized, unassembled 9501 - 9536 Guide pins, polarized, installed 99 Guide pins, universal, installed	STYLE OF HARDWARE: 0256 None 82 Hex turning jackset, reversed, installed, .200 knob 83 Fixed jackset, reversed, installed, #2-56 x .247" thd ext 84 Fixed jackset, reversed, installed, #2-56 x .320" thd ext 91 Guide sockets, full round, installed, #2-56 x .247" thd ext 92 Hex turning jackset, installed, .200 knob 93 Fixed jackset, installed, #2-56 x .247" thd ext 94 Fixed jackset, installed, #2-56 x .320" thd ext 96 Guide sockets, polarized, unassembled, #2-56 x .320" thd ext 9601 - 9636 Guide sockets, polarized, installed, #2-56 x .320" thd ext 97 Guide sockets, polarized, unassembled, #2-56 x .247" thd ext 9701 - 9736 Guide sockets, polarized, installed, #2-56 x .247" thd ext 98 Guide sockets, universal, installed, #2-56 x .247" thd ext
POLARIZATION: 00 None 01 thru 36 are special identifiers, see page R-57	POLARIZATION: 00 None 01 thru 36 are special identifiers, see page R-57

OPTIONS	
9XX SMT configuration code, see page R-56	

= Option not RoHS compliant

# 6 • ROW

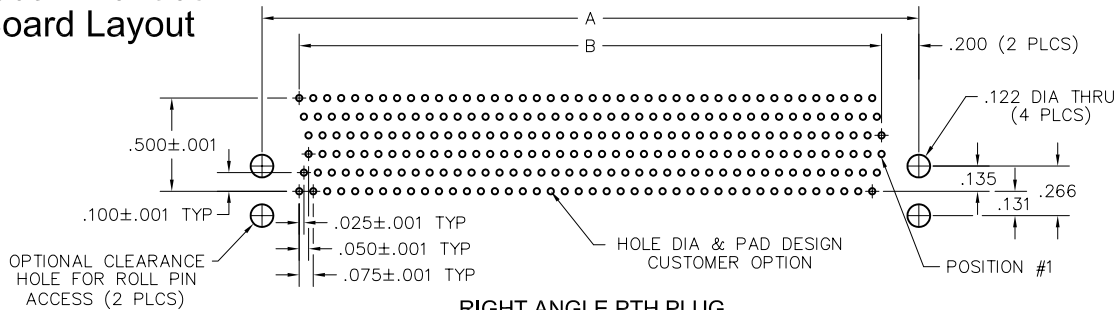
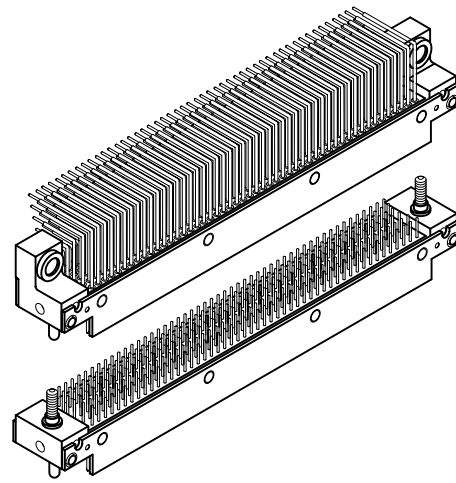
## Right Angle PTH Plug Straight PTH Plug

.075"

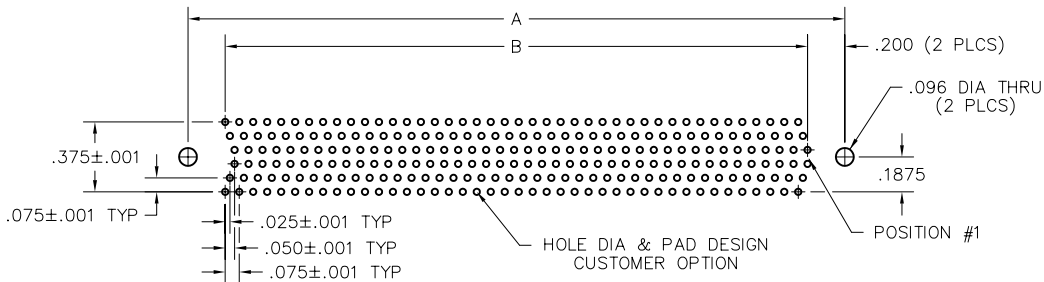
**RM6**

162 thru 402 Contacts  
Recommended  
Board Layout

DIMENSIONS		
SIZE	A	B
162	2.400	2.000
204	2.925	2.525
252	3.525	3.125
300	4.125	3.725
360	4.875	4.475
402	5.400	5.000

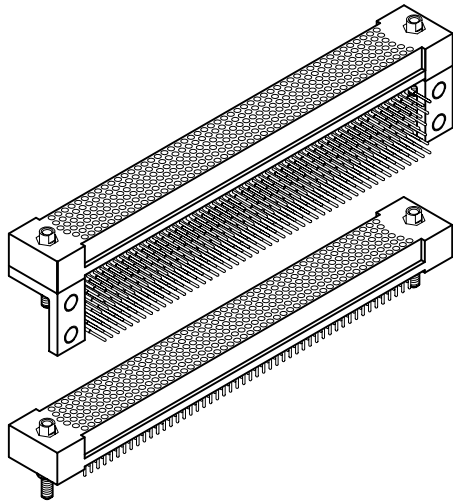


**RIGHT ANGLE PTH PLUG**  
PC BOARD VIEWED FROM COMPONENT SIDE



**STRAIGHT PTH PLUG**  
PC BOARD VIEWED FROM COMPONENT SIDE

SIZE	CONTACT ID	SIZE	CONTACT ID
162	162 159 156	300	500 297 294
	161 158 155		159 156 153
	160 157 154		298 296 293
	79 76 73		298 295 292
	80 77 74		148 145 142
	81 78 75		149 146 143
	90 87 84		150 147 144
	89 86 83		159 156 153
	88 85 82		158 153 152
	7 4 1		157 154 151
	8 5 2		7 4 1
	9 6 3		8 5 2
			9 6 3
204	204 201 198	360	560 357 354
	203 200 197		189 186 183
	202 199 196		359 356 353
	100 97 94		188 185 182
	101 98 95		358 355 352
	102 99 96		178 175 172
	111 108 105		179 176 173
	110 107 104		180 177 174
	109 106 103		189 186 183
	7 4 1		188 185 182
	8 5 2		187 184 181
	9 6 3		7 4 1
			8 5 2
			9 6 3
252	252 249 246	402	402 399 396
	251 248 245		210 207 204
	250 247 244		401 398 395
	124 121 118		209 206 203
	125 122 119		400 397 394
	126 123 120		199 196 193
	135 132 129		208 205 202
	134 131 128		7 4 1
	133 130 127		8 5 2
	7 4 1		9 6 3
	8 5 2		
	9 6 3		



# 6 · ROW

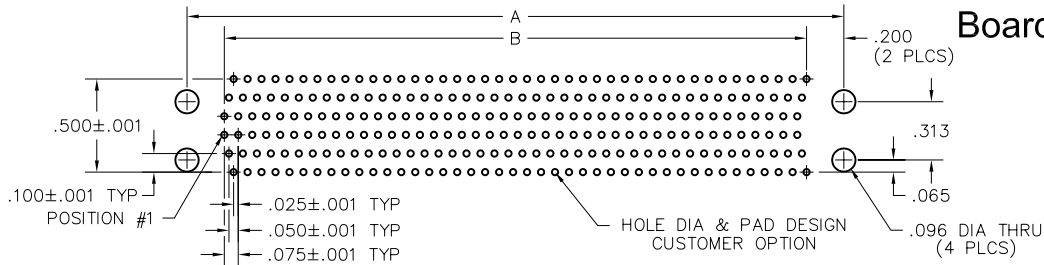
## Right Angle PTH Rcpt Straight PTH Rcpt

.075"

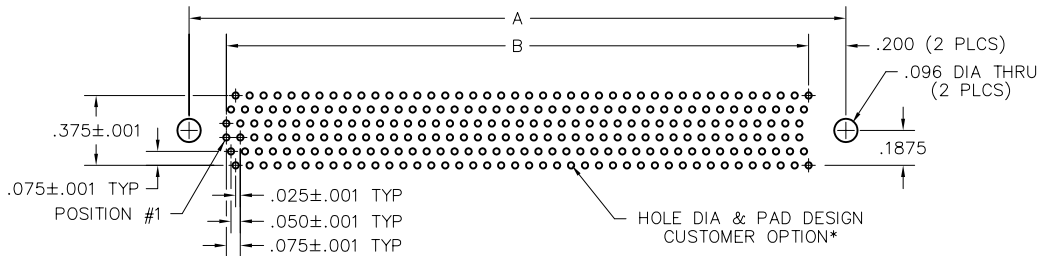
**RM6**

162 thru 402 Contacts  
Recommended  
Board Layout

DIMENSIONS		
SIZE	A	B
162	2.400	2.000
204	2.925	2.525
252	3.525	3.125
300	4.125	3.725
360	4.875	4.475
402	5.400	5.000



**RIGHT ANGLE PTH RECEPTACLE**  
PC BOARD VIEWED FROM COMPONENT SIDE



**STRAIGHT PTH RECEPTACLE**  
PC BOARD VIEWED FROM COMPONENT SIDE

\*COMPLIANT TERMINATION REQUIREMENTS:

Board Material: FR-4 w/ 1.0 oz. copper  
Minimum nominal board thickness: .062"  
Drilled hole: .0319"-.0339"  
Copper plating thickness: .0010" minimum

Tin-lead plating thickness: .0006" maximum  
Electroplated tin-lead composition: .63/37 (Sn/Pb)  
Finished hole diameter: .028"±.002"

SIZE	CONTACT ID	SIZE	CONTACT ID																																																																										
162	<table border="0"> <tr><td>84</td><td>87</td><td>90</td></tr> <tr><td>83</td><td>86</td><td>89</td></tr> <tr><td>82</td><td>85</td><td>88</td></tr> <tr><td>1</td><td>4</td><td>7</td></tr> <tr><td>2</td><td>5</td><td>8</td></tr> <tr><td>3</td><td>6</td><td>9</td></tr> </table>	84	87	90	83	86	89	82	85	88	1	4	7	2	5	8	3	6	9	<table border="0"> <tr><td>156</td><td>159</td><td>162</td></tr> <tr><td>155</td><td>158</td><td>161</td></tr> <tr><td>154</td><td>157</td><td>160</td></tr> <tr><td>73</td><td>76</td><td>79</td></tr> <tr><td>74</td><td>77</td><td>80</td></tr> <tr><td>75</td><td>78</td><td>81</td></tr> </table>	156	159	162	155	158	161	154	157	160	73	76	79	74	77	80	75	78	81	300	<table border="0"> <tr><td>153</td><td>156</td><td>159</td></tr> <tr><td>152</td><td>155</td><td>158</td></tr> <tr><td>151</td><td>154</td><td>157</td></tr> <tr><td>1</td><td>4</td><td>7</td></tr> <tr><td>2</td><td>5</td><td>8</td></tr> <tr><td>3</td><td>6</td><td>9</td></tr> </table>	153	156	159	152	155	158	151	154	157	1	4	7	2	5	8	3	6	9	<table border="0"> <tr><td>294</td><td>297</td><td>300</td></tr> <tr><td>293</td><td>296</td><td>299</td></tr> <tr><td>292</td><td>295</td><td>298</td></tr> <tr><td>142</td><td>145</td><td>148</td></tr> <tr><td>143</td><td>146</td><td>149</td></tr> <tr><td>144</td><td>147</td><td>150</td></tr> </table>	294	297	300	293	296	299	292	295	298	142	145	148	143	146	149	144	147	150
	84	87	90																																																																										
83	86	89																																																																											
82	85	88																																																																											
1	4	7																																																																											
2	5	8																																																																											
3	6	9																																																																											
156	159	162																																																																											
155	158	161																																																																											
154	157	160																																																																											
73	76	79																																																																											
74	77	80																																																																											
75	78	81																																																																											
153	156	159																																																																											
152	155	158																																																																											
151	154	157																																																																											
1	4	7																																																																											
2	5	8																																																																											
3	6	9																																																																											
294	297	300																																																																											
293	296	299																																																																											
292	295	298																																																																											
142	145	148																																																																											
143	146	149																																																																											
144	147	150																																																																											
204	<table border="0"> <tr><td>105</td><td>108</td><td>111</td></tr> <tr><td>104</td><td>107</td><td>110</td></tr> <tr><td>103</td><td>106</td><td>109</td></tr> <tr><td>1</td><td>4</td><td>7</td></tr> <tr><td>2</td><td>5</td><td>8</td></tr> <tr><td>3</td><td>6</td><td>9</td></tr> </table>	105	108	111	104	107	110	103	106	109	1	4	7	2	5	8	3	6	9	<table border="0"> <tr><td>198</td><td>201</td><td>204</td></tr> <tr><td>197</td><td>200</td><td>203</td></tr> <tr><td>196</td><td>199</td><td>202</td></tr> <tr><td>94</td><td>97</td><td>100</td></tr> <tr><td>95</td><td>98</td><td>101</td></tr> <tr><td>96</td><td>99</td><td>102</td></tr> </table>	198	201	204	197	200	203	196	199	202	94	97	100	95	98	101	96	99	102	360	<table border="0"> <tr><td>183</td><td>186</td><td>189</td></tr> <tr><td>182</td><td>185</td><td>188</td></tr> <tr><td>181</td><td>184</td><td>187</td></tr> <tr><td>1</td><td>4</td><td>7</td></tr> <tr><td>2</td><td>5</td><td>8</td></tr> <tr><td>3</td><td>6</td><td>9</td></tr> </table>	183	186	189	182	185	188	181	184	187	1	4	7	2	5	8	3	6	9	<table border="0"> <tr><td>354</td><td>357</td><td>360</td></tr> <tr><td>353</td><td>356</td><td>359</td></tr> <tr><td>352</td><td>355</td><td>358</td></tr> <tr><td>172</td><td>175</td><td>178</td></tr> <tr><td>173</td><td>176</td><td>179</td></tr> <tr><td>174</td><td>177</td><td>180</td></tr> </table>	354	357	360	353	356	359	352	355	358	172	175	178	173	176	179	174	177	180
	105	108	111																																																																										
104	107	110																																																																											
103	106	109																																																																											
1	4	7																																																																											
2	5	8																																																																											
3	6	9																																																																											
198	201	204																																																																											
197	200	203																																																																											
196	199	202																																																																											
94	97	100																																																																											
95	98	101																																																																											
96	99	102																																																																											
183	186	189																																																																											
182	185	188																																																																											
181	184	187																																																																											
1	4	7																																																																											
2	5	8																																																																											
3	6	9																																																																											
354	357	360																																																																											
353	356	359																																																																											
352	355	358																																																																											
172	175	178																																																																											
173	176	179																																																																											
174	177	180																																																																											
252	<table border="0"> <tr><td>129</td><td>132</td><td>135</td></tr> <tr><td>128</td><td>131</td><td>134</td></tr> <tr><td>127</td><td>130</td><td>133</td></tr> <tr><td>1</td><td>4</td><td>7</td></tr> <tr><td>2</td><td>5</td><td>8</td></tr> <tr><td>3</td><td>6</td><td>9</td></tr> </table>	129	132	135	128	131	134	127	130	133	1	4	7	2	5	8	3	6	9	<table border="0"> <tr><td>246</td><td>249</td><td>252</td></tr> <tr><td>245</td><td>248</td><td>251</td></tr> <tr><td>244</td><td>247</td><td>250</td></tr> <tr><td>118</td><td>121</td><td>124</td></tr> <tr><td>119</td><td>122</td><td>125</td></tr> <tr><td>120</td><td>123</td><td>126</td></tr> </table>	246	249	252	245	248	251	244	247	250	118	121	124	119	122	125	120	123	126	402	<table border="0"> <tr><td>204</td><td>207</td><td>210</td></tr> <tr><td>203</td><td>206</td><td>209</td></tr> <tr><td>202</td><td>205</td><td>208</td></tr> <tr><td>1</td><td>4</td><td>7</td></tr> <tr><td>2</td><td>5</td><td>8</td></tr> <tr><td>3</td><td>6</td><td>9</td></tr> </table>	204	207	210	203	206	209	202	205	208	1	4	7	2	5	8	3	6	9	<table border="0"> <tr><td>398</td><td>399</td><td>402</td></tr> <tr><td>397</td><td>398</td><td>401</td></tr> <tr><td>396</td><td>397</td><td>400</td></tr> <tr><td>193</td><td>196</td><td>199</td></tr> <tr><td>194</td><td>197</td><td>200</td></tr> <tr><td>195</td><td>198</td><td>201</td></tr> </table>	398	399	402	397	398	401	396	397	400	193	196	199	194	197	200	195	198	201
	129	132	135																																																																										
128	131	134																																																																											
127	130	133																																																																											
1	4	7																																																																											
2	5	8																																																																											
3	6	9																																																																											
246	249	252																																																																											
245	248	251																																																																											
244	247	250																																																																											
118	121	124																																																																											
119	122	125																																																																											
120	123	126																																																																											
204	207	210																																																																											
203	206	209																																																																											
202	205	208																																																																											
1	4	7																																																																											
2	5	8																																																																											
3	6	9																																																																											
398	399	402																																																																											
397	398	401																																																																											
396	397	400																																																																											
193	196	199																																																																											
194	197	200																																																																											
195	198	201																																																																											

# 6 • ROW

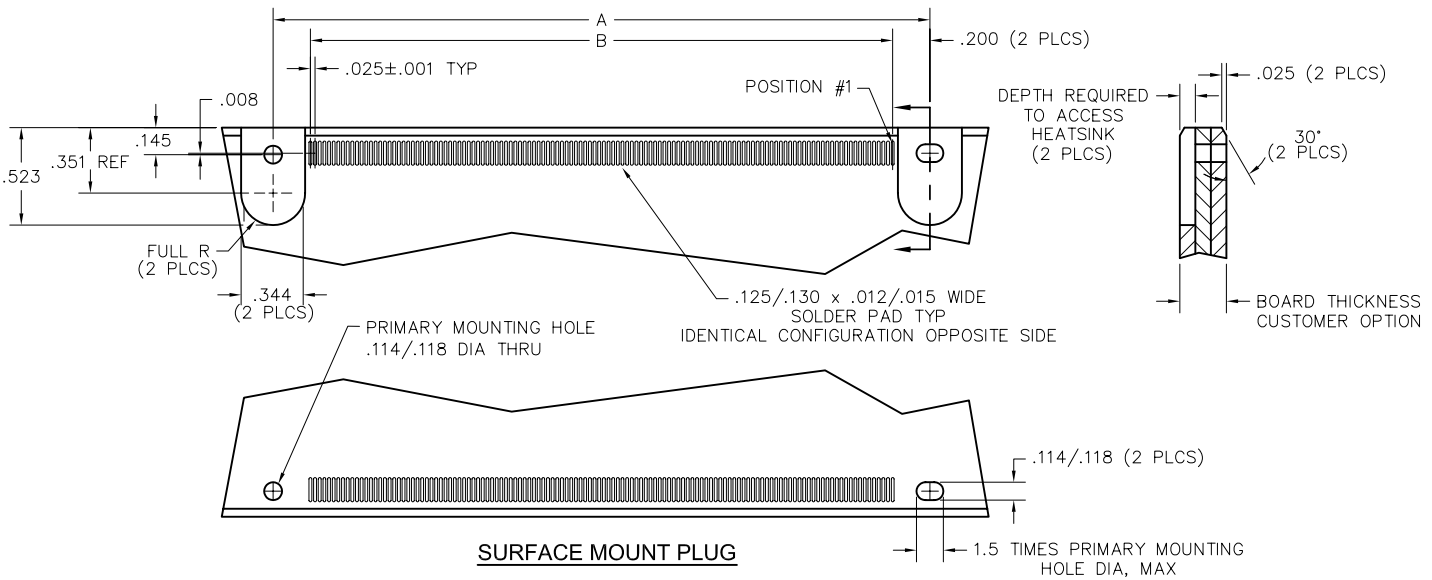
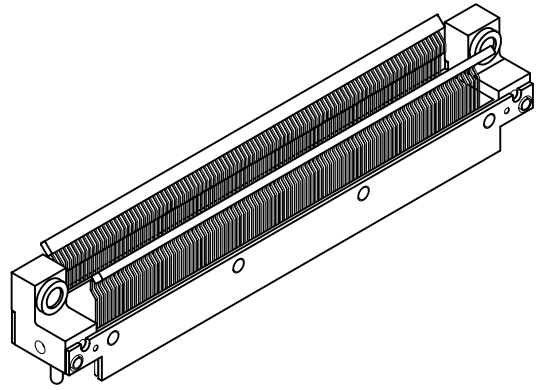
## Straight SMT Plug

.075"

**RM6**

162 thru 402 Contacts  
Recommended Board Layout

DIMENSIONS		
SIZE	A	B
162	2.400	2.000
204	2.925	2.525
252	3.525	3.125
300	4.125	3.725
360	4.875	4.475
402	5.400	5.000



SIZE	CONTACT ID	SIZE	CONTACT ID
162	C162	300	C300
	C161		C299
	C160		C149
	C159		C148
C81	C86	C147	C297
C80	C85	C146	C296
C79	C84	C5	C155
C78	C83	C4	C154
C77	C82	C3	C153
		C2	C152
		C1	C151
204	C204	360	C360
	C203		C359
	C202		C185
	C201		C184
C102	C107	C180	C179
C101	C106	C178	C177
C99	C105	C176	C5
C98	C104	C4	C183
	C103	C3	C182
		C2	C181
		C1	
252	C252	402	C402
	C251		C401
	C250		C206
	C249		C205
C248	C131	C4	C204
	C130	C3	C203
	C129	C2	C202
	C128	C1	
	C127		
		C201	
		C199	
		C198	
		C197	
		C398	



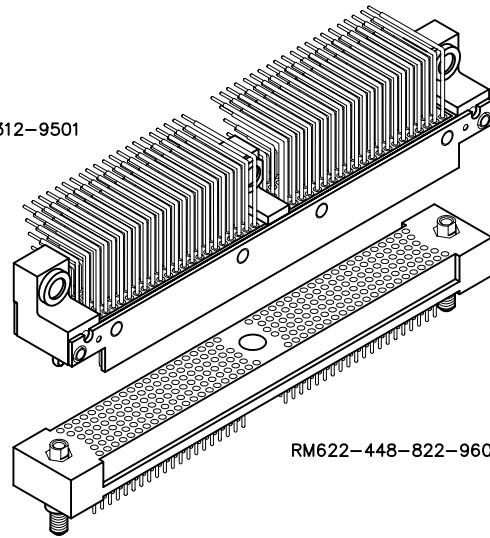
# 6 • ROW Daughterboard to Motherboard or Chassis

.075"

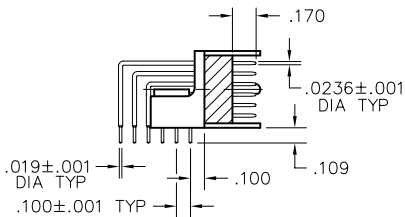
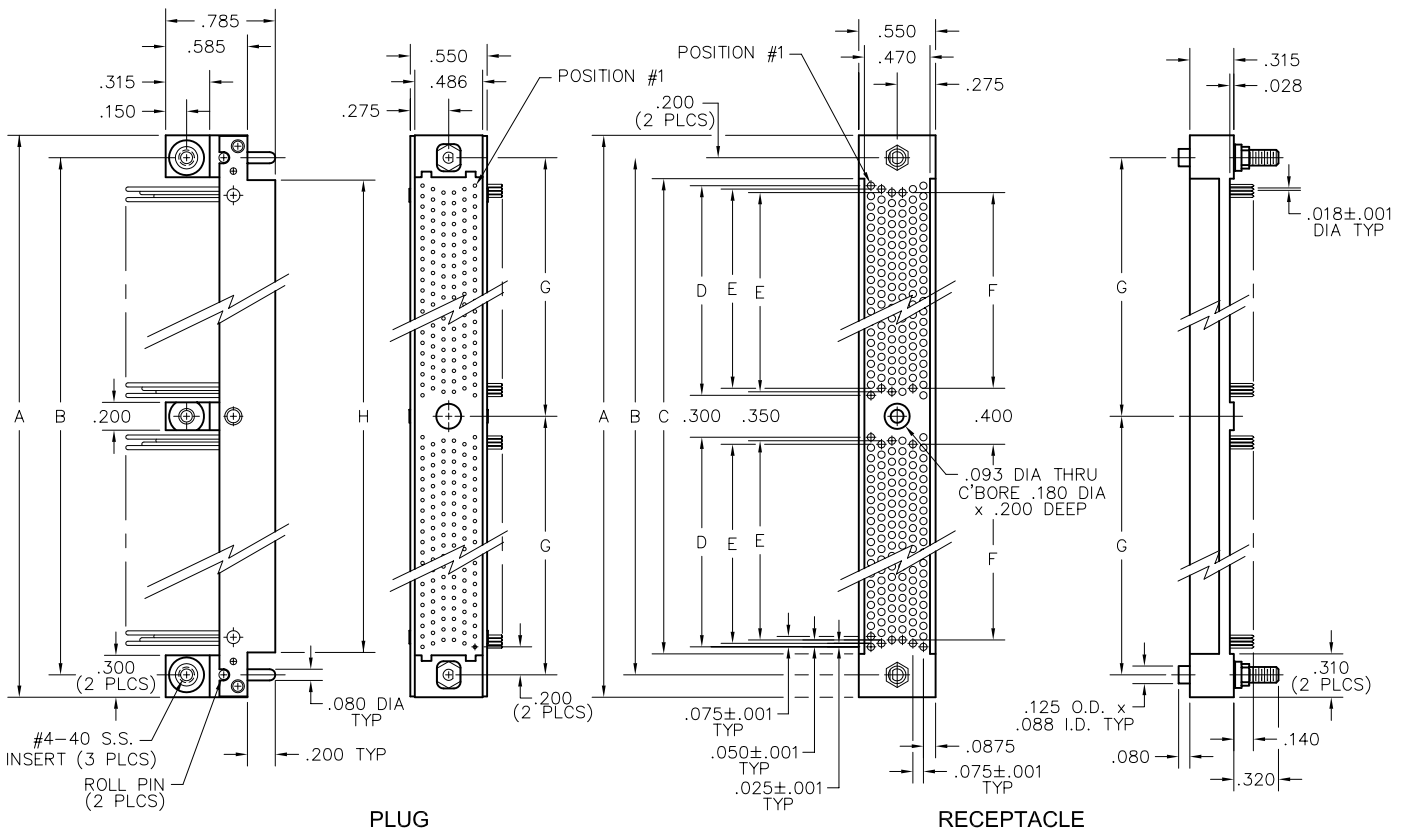
**RM6**

448 & 604 Contacts

RM652-448-312-9501



RM622-448-822-9601



DIMENSIONS								
SIZE	A	B	C	D	E	F	G	H
448	6.570	6.250	5.950	2.775	2.700	2.675	3.125	5.930
604	8.520	8.200	7.900	3.750	3.675	3.650	4.100	7.880

**PLUG:** RM652-448-312-9501  
**RECEPTACLE:** RM622-448-822-9601  
 XXXXX-XXX-XXX-XXXX

**PLUG**

**RECEPTACLE**

SERIES	
RM .075" Screw Machine PC Connector	RM .075" Screw Machine PC Connector

BODY	
6 6-Row	6 6-Row
BODY STYLE: 5 Plug, right angle, with mounting ears	BODY STYLE: 2 Receptacle, straight, with mounting ears
BODY MATERIAL: 2 Polyphenylene sulfide (PPS)	BODY MATERIAL: 2 Polyphenylene sulfide (PPS)

SIZE	
448, 604	448, 604

**CONTACTS**

TYPE CONTACTS/TERMINATIONS:	TYPE CONTACTS/TERMINATIONS:
31 Pin, right angle, dip solder, .109" x .019" dia	75 Socket, straight, dip solder, .250" x .018" dia
32 Pin, right angle, dip solder, .140" x .019" dia	76 Socket, straight, solder cup
33 Pin, right angle, dip solder, .172" x .019" dia	77 Socket, straight, flex, .093" x .017" dia
34 Pin, right angle, dip solder, .250" x .019" dia	81 Socket, straight, dip solder, .109" x .018" dia
	82 Socket, straight, dip solder, .140" x .018" dia
	83 Socket, straight, dip solder, .172" x .018" dia
	87 Socket, straight, press-fit, .188" (Board: .093" - .125" thk)
	88 Socket, straight, press-fit, .308" (Board: .156" - .200" thk)
	89 Socket, straight, press-fit, .388" (Board: .250"+ thk)

PLATING OPTIONS:	PLATING OPTIONS:
1 Gold plated termination	1 Gold plated termination
2 Pre-tinned termination, SnPb alloy <input checked="" type="checkbox"/>	2 Pre-tinned termination, SnPb alloy (dip solder options only) <input checked="" type="checkbox"/>
3 Pre-tinned termination, SAC305 alloy	3 Pre-tinned termination, SAC305 alloy (dip solder options only)

**HARDWARE**

STYLE OF HARDWARE:	STYLE OF HARDWARE:
0256 None	0256 None
83 Fixed jackset, reversed, installed	82 Hex turning jackset, reversed, installed, .200 knob
90 Guide pins, full round, installed	83 Fixed jackset, reversed, installed, #4-40 x .247" thd ext
93 Fixed jackset, installed	84 Fixed jackset, reversed, installed, #4-40 x .320" thd ext
95 Guide pins, polarized, unassembled	91 Guide sockets, full round, installed, #4-40 x .247" thd ext
9501 - 9536 Guide pins, polarized, installed	92 Hex turning jackset, installed, .200 knob
99 Guide pins, universal, installed	93 Fixed jackset, installed, #4-40 x .247" thd ext
	94 Fixed jackset, installed, #4-40 x .320" thd ext
	96 Guide sockets, polarized, unassembled, #4-40 x .320" thd ext
	9601 - 9636 Guide sockets, polarized, installed, #4-40 x .320" thd ext
	97 Guide sockets, polarized, unassembled, #4-40 x .247" thd ext
	9701 - 9736 Guide sockets, polarized, installed, #4-40 x .247" thd ext
	98 Guide sockets, universal, installed, #4-40 x .247" thd ext

POLARIZATION:	POLARIZATION:
00 None	00 None
01 thru 36 are special identifiers, see page R-57	01 thru 36 are special identifiers, see page R-57

= Option not RoHS compliant



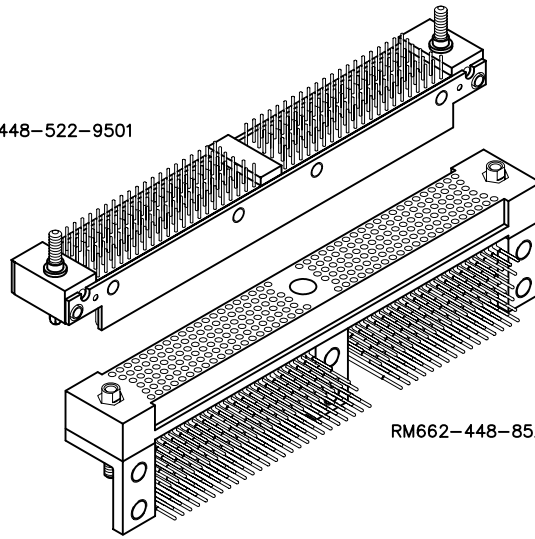
# 6 • ROW Motherboard or Chassis to Daughterboard

.075"

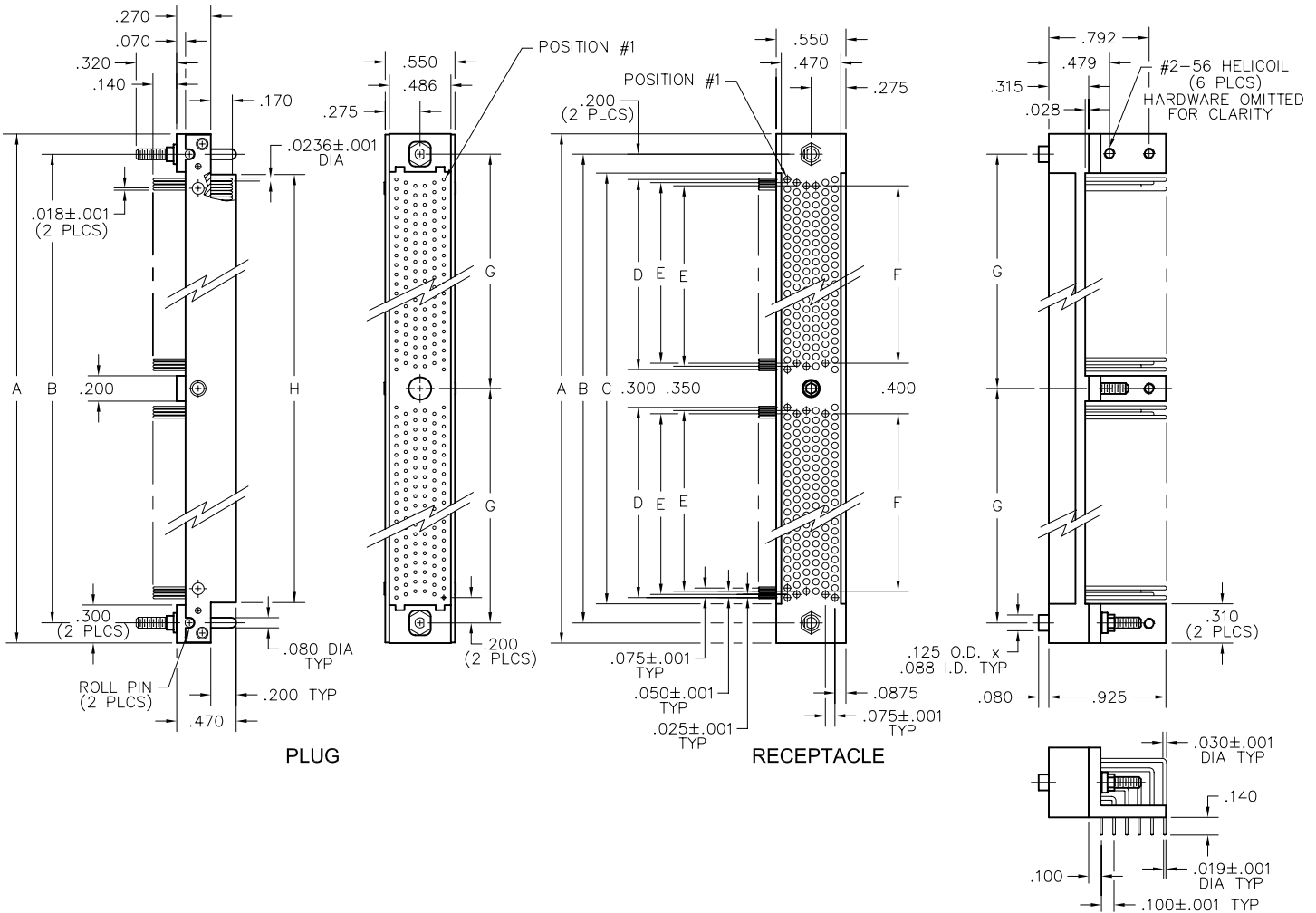
**RM6**

448 & 604 Contacts

RM612-448-522-9501



RM662-448-852-9601



DIMENSIONS								
SIZE	A	B	C	D	E	F	G	H
448	6.570	6.250	5.950	2.775	2.700	2.675	3.125	5.930
604	8.520	8.200	7.900	3.750	3.675	3.650	4.100	7.880



**PLUG:** RM612-448-522-9501  
**RECEPTACLE:** RM662-448-852-9601  
 XXXXX-XXX-XXX-XXXX

**PLUG**

**RECEPTACLE**

SERIES	
RM .075" Screw Machine PC Connector	RM .075" Screw Machine PC Connector

BODY	
6 6-Row	6 6-Row
<b>BODY STYLE:</b> 1 Plug, straight, without mounting ears	<b>BODY STYLE:</b> 6 Receptacle, right angle, with mounting brackets
<b>BODY MATERIAL:</b> 2 Polyphenylene sulfide (PPS)	<b>BODY MATERIAL:</b> 2 Polyphenylene sulfide (PPS)

SIZE	
448, 604	448, 604

CONTACTS	
<b>TYPE CONTACTS/TERMINATIONS:</b> 17 Pin, straight, solder cup 40 Pin, straight, flex .093" x .017" dia 51 Pin, straight, dip solder, .109" x .018" dia 52 Pin, straight, dip solder, .140" x .018" dia 53 Pin, straight, dip solder, .172" x .018" dia 54 Pin, straight, dip solder, .250" x .018" dia	<b>TYPE CONTACTS/TERMINATIONS:</b> 84 Socket, right angle, dip solder, .109" x .019" dia 85 Socket, right angle, dip solder, .140" x .019" dia 86 Socket, right angle, dip solder, .172" x .019" dia
<b>PLATING OPTIONS:</b> 1 Gold plated termination 2 Pre-tinned termination, SnPb alloy (dip solder options only) <input checked="" type="checkbox"/> 3 Pre-tinned termination, SAC305 alloy (dip solder options only)	<b>PLATING OPTIONS:</b> 1 Gold plated termination 2 Pre-tinned termination, SnPb alloy <input checked="" type="checkbox"/> 3 Pre-tinned termination, SAC305 alloy

HARDWARE	
<b>STYLE OF HARDWARE:</b> 0256 None 82 Hex turning jackset, reversed, installed, .200 knob 83 Fixed jackset, reversed, installed #4-40 x .247" thd ext 84 Fixed jackset, reversed, installed #4-40 x .320" thd ext 90 Guide pins, full round, installed #4-40 x .320" thd ext 92 Hex turning jackset, installed, .200 knob 93 Fixed jackset, installed, #4-40 x .247" thd ext 94 Fixed jackset, installed, #4-40 x .320" thd ext 95 Guide pins, polarized, unassembled, #4-40 x .320" thd ext 9501 - 9536 Guide pins, polarized, installed, #4-40 x .320" thd ext 99 Guide pins, universal, installed #4-40 x .320" thd ext	<b>STYLE OF HARDWARE:</b> 0256 None 82 Hex turning jackset, reversed, installed, .200 knob 83 Fixed jackset, reversed, installed 91 Guide sockets, full round, installed 92 Hex turning jackset, installed, .200 knob 93 Fixed jackset, installed 96 Guide sockets, polarized, unassembled 9601 - 9636 Guide sockets, polarized, installed 97 Guide sockets, polarized, unassembled 9701 - 9736 Guide sockets, polarized, installed 98 Guide sockets, universal, installed  Note: Includes mounting bracket when right angle contacts are supplied
<b>POLARIZATION:</b> 00 None 01 thru 36 are special identifiers, see page R-57	<b>POLARIZATION:</b> 00 None 01 thru 36 are special identifiers, see page R-57

= Option not RoHS compliant



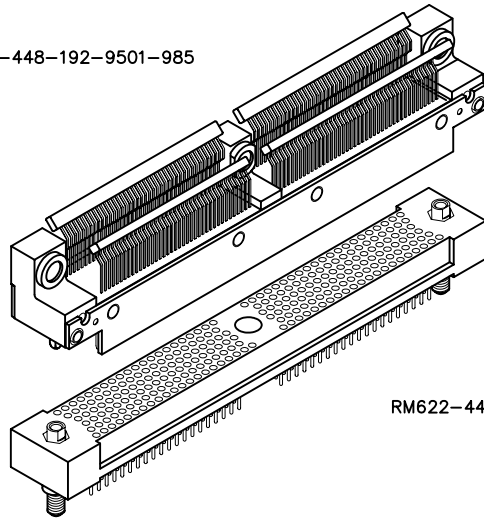
# 6 • ROW Daughterboard to Motherboard or Chassis

.075"

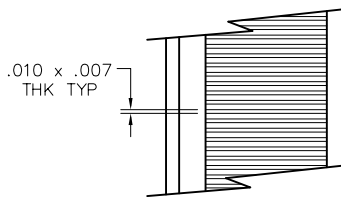
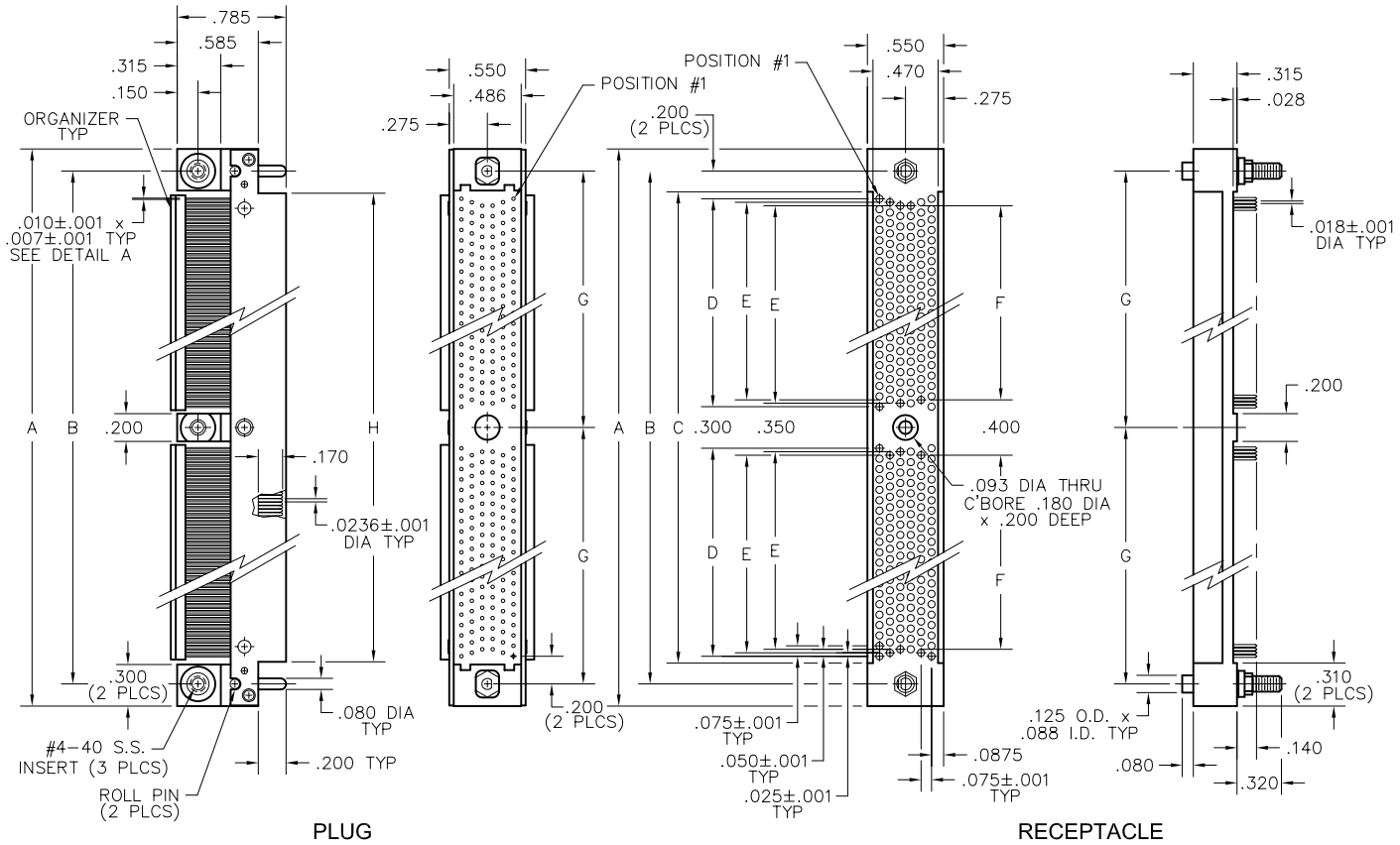
**RM6**

448 & 604 Contacts

RM612-448-192-9501-985



RM622-448-822-9601



DETAIL A

DIMENSIONS								
SIZE	A	B	C	D	E	F	G	H
448	6.570	6.250	5.950	2.775	2.700	2.675	3.125	5.930
604	8.520	8.200	7.900	3.750	3.675	3.650	4.100	7.880

PLUG: RM612-448-192-9501-985  
 RECEPTACLE: RM622-448-822-9601  
 XXXXX-XXX-XXX-XXXX-XXX

**PLUG**

**RECEPTACLE**

SERIES	
RM .075" Screw Machine PC Connector	RM .075" Screw Machine PC Connector

BODY	
6 6-Row	6 6-Row
BODY STYLE: 1 Plug, straight, with mounting ears	BODY STYLE: 2 Receptacle, straight, with mounting ears
BODY MATERIAL: 2 Black anodized side shield (PPS) 5 Nickel plated side shield (PPS)	BODY MATERIAL: 2 Black anodized side shield (PPS) 5 Nickel plated side shield (PPS)

SIZE	
448, 604	448, 604

CONTACTS	
TYPE CONTACTS/TERMINATIONS: 19 Pin, SMT, .014" x .007" tail, scored for organizer removal (see R-56) 39 Pin, SMT, .014" x .007" tail, unscored	TYPE CONTACTS/TERMINATIONS: 75 Socket, straight, dip solder, .250" x .018" dia 76 Socket, straight, solder cup 77 Socket, straight, flex, .093" x .017" dia 81 Socket, straight, dip solder, .109" x .018" dia 82 Socket, straight, dip solder, .140" x .018" dia 83 Socket, straight, dip solder, .172" x .018" dia 87 Socket, straight, press-fit, .188" (Board: .093" - .125" thk) 88 Socket, straight, press-fit, .308" (Board: .156" - .200" thk) 89 Socket, straight, press-fit, .388" (Board: .250"+ thk)
PLATING OPTIONS: 2 Pre-tinned termination, SnPb alloy <input checked="" type="checkbox"/> 3 Pre-tinned termination, SAC305 alloy	PLATING OPTIONS: 1 Gold plated termination 2 Pre-tinned termination, SnPb alloy (dip solder options only) <input checked="" type="checkbox"/> 3 Pre-tinned termination, SAC305 alloy (dip solder options only)

HARDWARE	
STYLE OF HARDWARE: 0256 None 83 Fixed jackset, reversed, installed 90 Guide pins, full round, installed 93 Fixed jackset, installed 95 Guide pins, polarized, unassembled 9501 - 9536 Guide pins, polarized, installed 99 Guide pins, universal, installed	STYLE OF HARDWARE: 0256 None 82 Hex turning jackset, reversed, installed, .200 knob 83 Fixed jackset, reversed, installed, #4-40 x .247 thd ext 84 Fixed jackset, reversed, installed, #4-40 x .320 thd ext 91 Guide sockets, full round, installed, #4-40 x .247" thd ext 92 Hex turning jackset, installed, .200 knob 93 Fixed jackset, installed, #4-40 x .247 thd ext 94 Fixed jackset, installed, #4-40 x .320 thd ext 96 Guide sockets, polarized, unassembled, #4-40 x .320" thd ext 9601 - 9636 Guide sockets, polarized, installed, #4-40 x .320" thd ext 97 Guide sockets, polarized, unassembled, #4-40 x .247" thd ext 9701 - 9736 Guide sockets, polarized, installed, #4-40 x .247" thd ext 98 Guide sockets, universal, installed, #4-40 x .247" thd ext
POLARIZATION: 00 None 01 thru 36 are special identifiers, see page R-57	POLARIZATION: 00 None 01 thru 36 are special identifiers, see page R-57

OPTIONS	
9XX SMT configuration code, see page R-56	

= Option not RoHS compliant



# 6 • ROW

## Right Angle PTH Plug

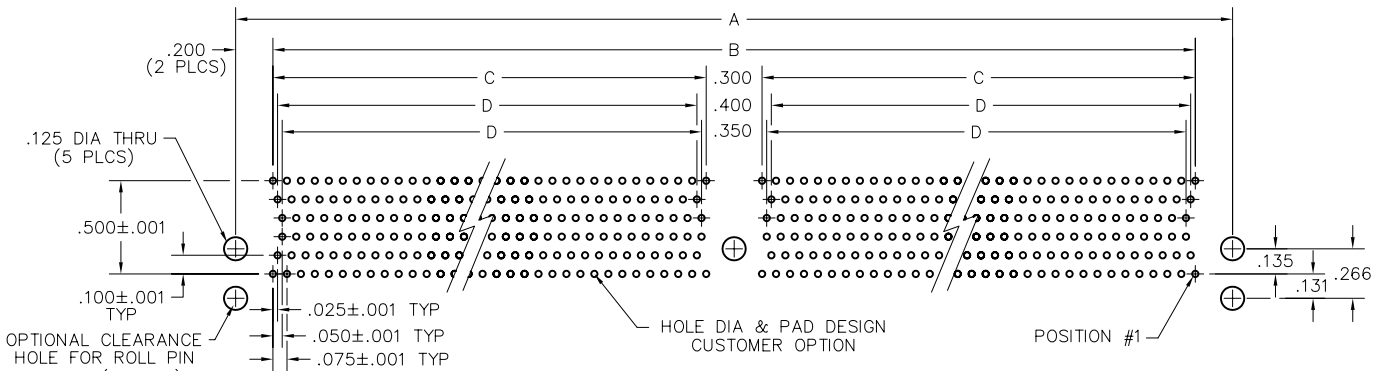
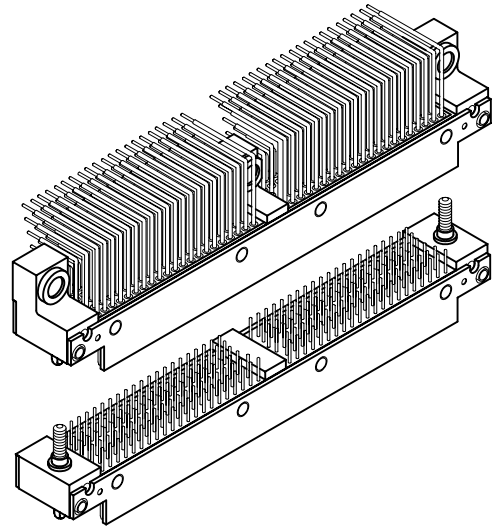
## Straight PTH Plug

.075"

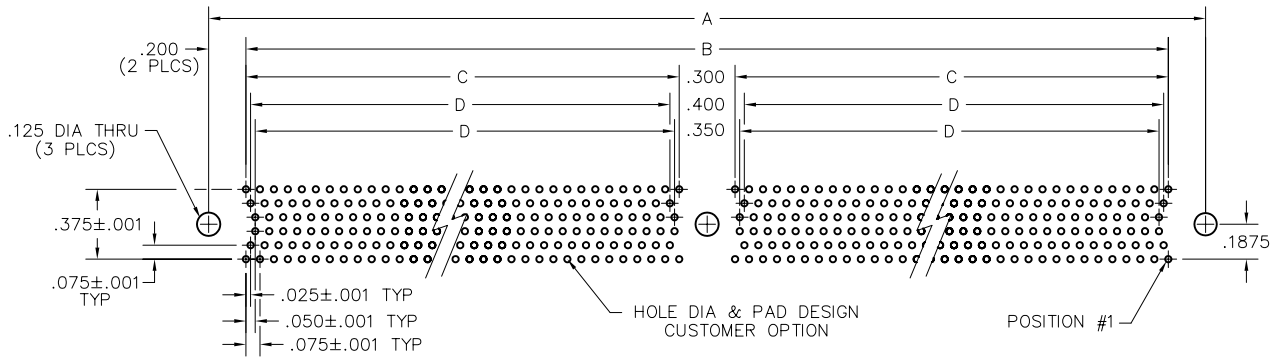
**RM6**

448 & 604 Contacts  
Recommended  
Board Layout

DIMENSIONS				
SIZE	A	B	C	D
448	6.250	5.850	2.775	2.700
604	8.200	7.800	3.750	3.675



**RIGHT ANGLE PTH PLUG**  
PC BOARD VIEWED FROM COMPONENT SIDE



**STRAIGHT PTH PLUG**  
PC BOARD VIEWED FROM COMPONENT SIDE

SIZE	CONTACT ID				SIZE	CONTACT ID																			
448	448	445	442	343	340	337	536	533	530	231	228	225	604	604	601	598	460	457	454	453	450	447	509	506	503
	447	444	441	345	342	339	534	531	528	232	229	226		603	600	597	462	459	456	451	448	445	310	307	304
	446	443	440	344	341	338	535	532	529	233	230	227		602	599	596	461	458	455	452	449	446	311	308	305
	222	219	216	120	117	114	111	108	105	9	6	3		500	297	294	159	156	153	150	147	144	9	6	3
	223	220	217	121	118	115	110	107	104	8	5	2		301	298	295	160	157	154	149	146	143	8	5	2
	224	221	218	119	116	113	112	109	106	7	4	1		502	299	296	158	155	152	151	148	145	7	4	1

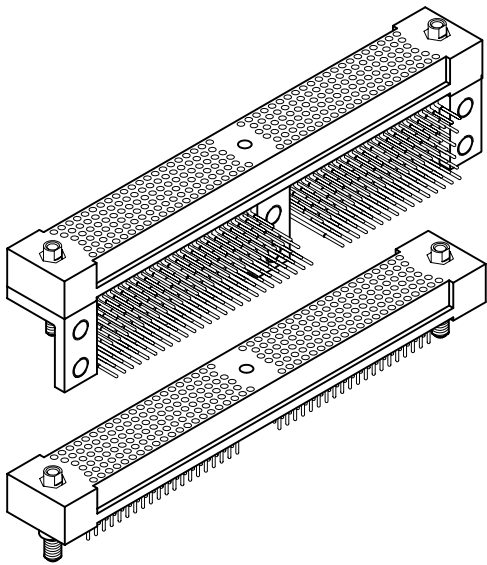
# 6 • ROW

## Right Angle PTH Rcpt Straight PTH Rcpt

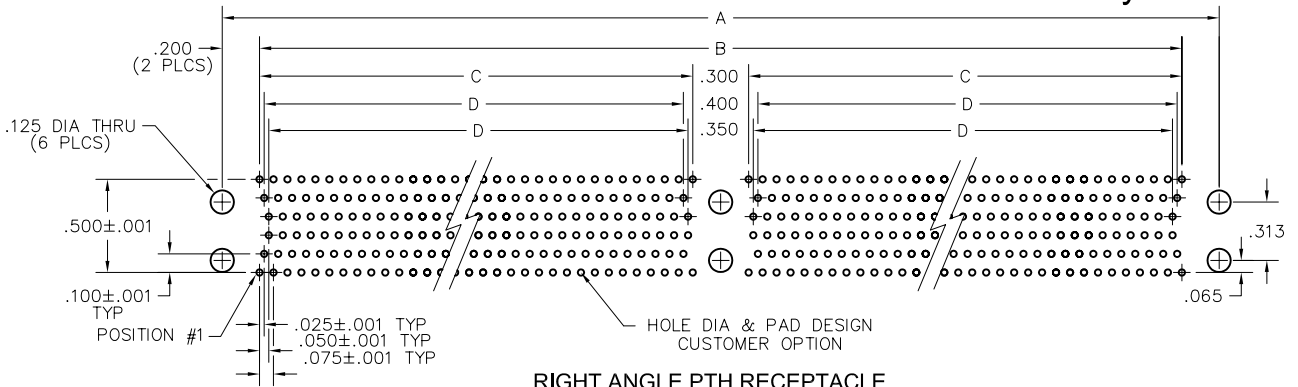
.075"

**RM6**

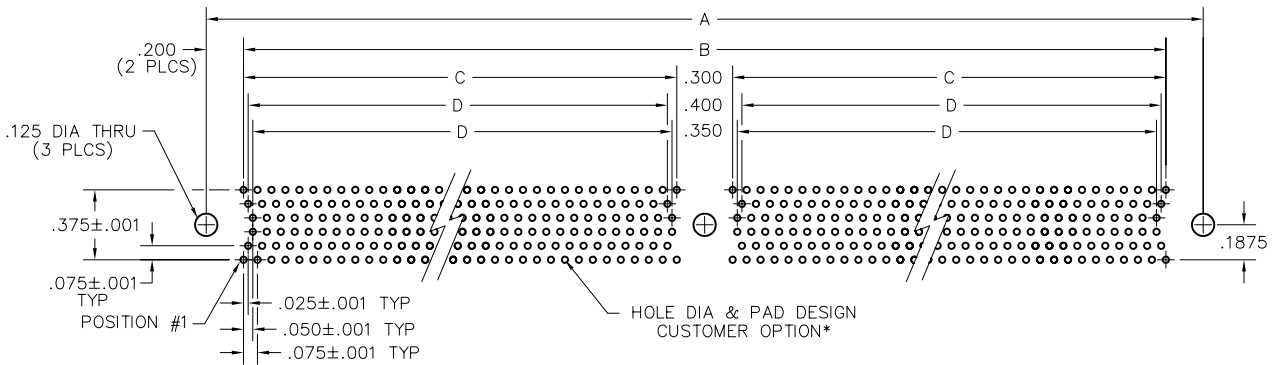
448 & 604 Contacts  
Recommended  
Board Layout



DIMENSIONS				
SIZE	A	B	C	D
448	6.250	5.850	2.775	2.700
604	8.200	7.800	3.750	3.675



**RIGHT ANGLE PTH RECEPTACLE**  
PC BOARD VIEWED FROM COMPONENT SIDE



**STRAIGHT PTH RECEPTACLE**  
PC BOARD VIEWED FROM COMPONENT SIDE

\*COMPLIANT TERMINATION REQUIREMENTS:  
Board Material: FR-4 w/ 1.0 oz. copper  
Minimum nominal board thickness: .062"  
Drilled hole: .0319"-.0339"  
Copper plating thickness: .0010" minimum  
Tin-lead plating thickness: .0006" maximum  
Electroplated tin-lead composition: 63/37 (Sn/Pb)  
Finished hole diameter: .028"±.002"

SIZE	CONTACT ID				SIZE	CONTACT ID																			
448	223	228	231	330	333	336	337	340	343	442	445	448	604	303	306	309	447	450	453	454	457	460	598	601	604
	226	229	232	328	331	334	339	342	345	441	444	447		504	307	310	445	448	451	456	459	462	597	600	603
	227	230	233	329	332	335	338	341	344	440	443	446		305	308	311	446	449	452	455	458	461	596	599	602
	3	6	9	103	108	111	114	117	120	216	219	222		3	6	9	144	147	150	153	156	159	294	297	300
	2	5	8	104	107	110	113	118	121	217	220	223		2	5	8	143	146	149	154	157	160	295	298	301
1	4	7	106	109	112	113	116	119	218	221	224	1	4	7	145	148	151	152	155	158	296	299	302		

# 6 • ROW

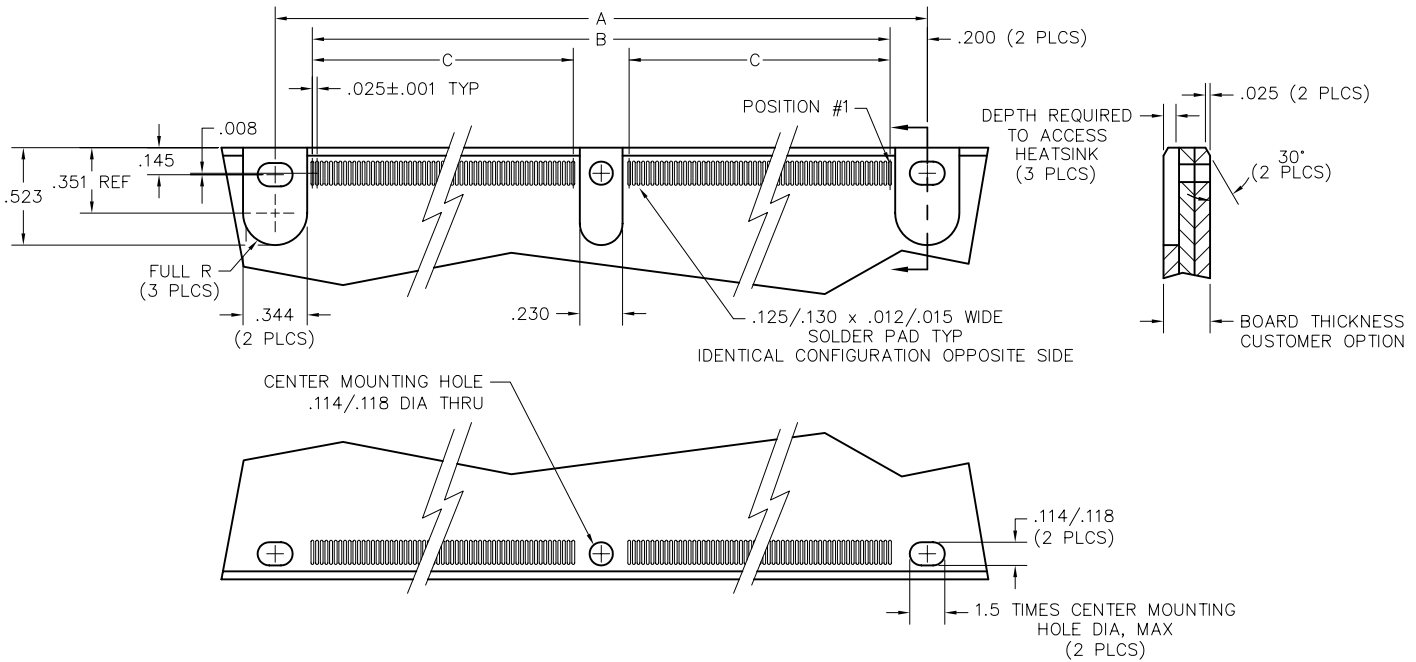
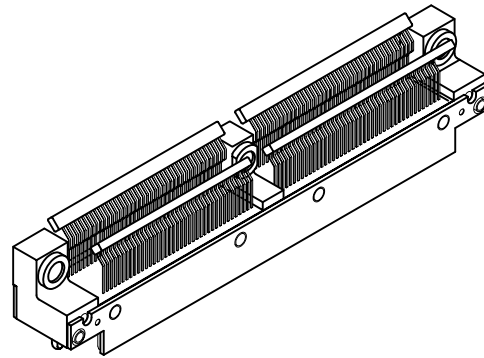
## Straight SMT Plug

.075"

**RM6**

448 & 604 Contacts  
Recommended Board Layout

DIMENSIONS			
SIZE	A	B	C
448	6.250	5.850	2.775
604	8.200	7.800	3.750



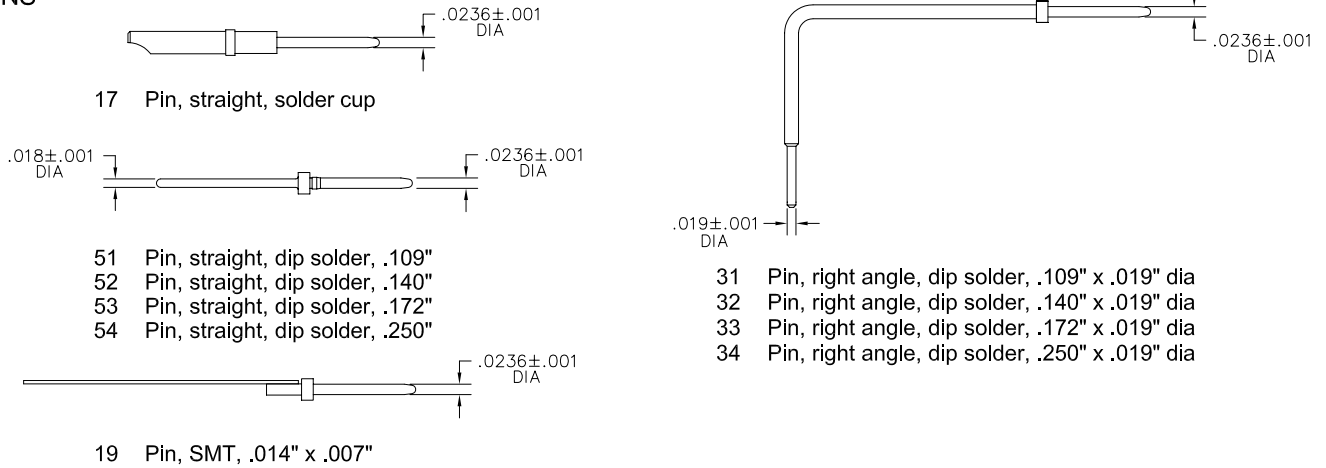
**SURFACE MOUNT PLUG**

SIZE	CONTACT ID										SIZE	CONTACT ID																													
448	C448D	C447D	C446D	C445D	C444D	C341D	C340D	C339D	C338D	C337D	C336D	C335D	C334D	C333D	C332D	C229D	C228D	C227D	C226D	C225D	604	C604D	C603D	C602D	C601D	C600D	C458D	C457D	C456D	C455D	C454D	C453D	C452D	C451D	C450D	C449D	C307D	C306D	C305D	C304D	C303D
	C224D	C223D	C222D	C221D	C220D	C117D	C116D	C115D	C114D	C113D	C112D	C111D	C110D	C109D	C108D	C5D	C4D	C3D	C2D	C1D		C302D	C301D	C300D	C299D	C298D	C156D	C155D	C154D	C153D	C152D	C151D	C149D	C148D	C147D	C5D	C4D	C3D	C2D	C1D	

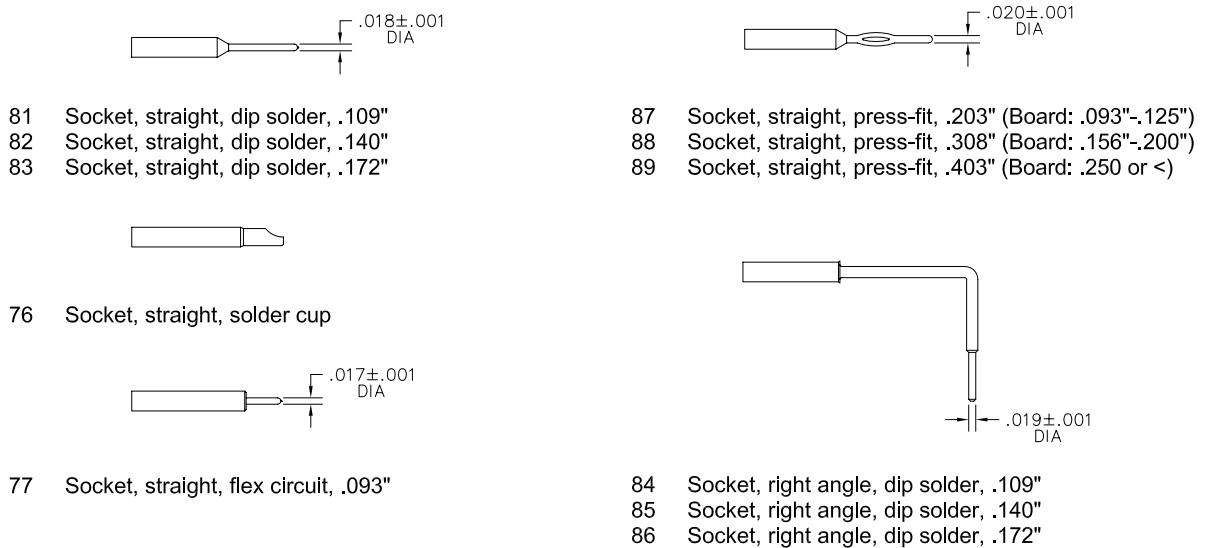
# Contacts 6 Row

Pins and Sockets

## PINS



## SOCKETS





## Specifications - Stackable Compliant Pin Connectors (075)

### Materials and Finishes \*

<b>Contacts:</b>	BeCu, per ASTM-B768 (BeCu C17410 Brush Alloy 174).
<b>Contact Finish:</b>	Gold plate per MIL-G-45204 over Nickel plating per IAW QQ-N-290.
<b>Molded Insulators:</b>	Glass filled polyphenylene sulfide (PPS) per MIL-M-24519.
<b>Screws:</b>	Stainless steel per ASTM-A-582, passivated per ASTM-A-967.
<b>Guide Pins, Guide Sockets:</b>	BeCu per ASTM-B-196, ASTM-B-197, Nickel plated per QQ-N-290.
<b>Connector Markings:</b>	Per MIL-C-55302. Additionally, end row contact numbers are identified on the mating face of the connector and the pin #1 locator identified on the side of the connector base.
<b>Tolerances:</b>	Unless otherwise specified: Fractions = $\pm 1/64$ " Decimals = $\pm .010$ " Angles = $\pm 5^\circ$

Note: AirBorn can manufacture special configurations for your exact specifications.

\* = Reference the above listed specifications or an equivalent industry standard when applicable

## Performance - Stackable Compliant Pin Connectors (075)

### Reference Modified MIL-C-55302, MIL-C-28859, MIL-STD-2166 and ANSI/EIA-616.

<b>Contact Current Rating:</b>	3 Amperes
<b>Operating Temperature:</b>	-65° to +125° C or -85° to +257° F
<b>DWV Test Voltage:</b>	750 V, RMS, 60 Hz @ sea level
<b>Insulation Resistance:</b>	5,000 megohms minimum @ 500 VDC
<b>Durability:</b>	500 connector mating cycles
<b>Contact Resistance:</b>	3 to 5 milliohms (contact length dependent)
<b>Contact Engagement Force:</b>	4.0 oz. (113 g.) maximum w/.0246" dia. test pin
<b>Contact Separation Force:</b>	0.5 oz. (14 g.) minimum w/.0226" dia. test pin.
<b>Total Mating Force:</b>	Maximum, 4.0 oz. (113 g.) X number of contacts Average 2.5 oz. (70 g.) X number of contacts
<b>Compliant Insertion and Removal Forces:</b>	Maximum insertion force ... 22.5 pounds (10.22 Kg.) Minimum retention force after conditioning ... 4.5 pounds (2.04 Kg.)
<b>Suggested Board and Plated Through Hole Requirements:</b>	Board material ... FR-4 with 1.0 oz. copper. Minimum board thickness ... .058". Drilled Hole ... .0319" - .0339". Copper plating thickness ... .0010" minimum Tin-lead plating thickness ... .0003" minimum. Electroplated tin-lead composition ... 63/37 (Sn/Pb) Finished hole diameter ... .028" ±.002

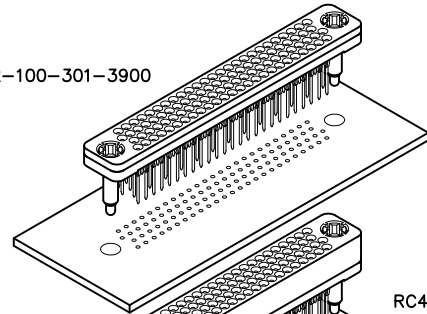
# 4 · ROW Press Fit Stackable

.075"

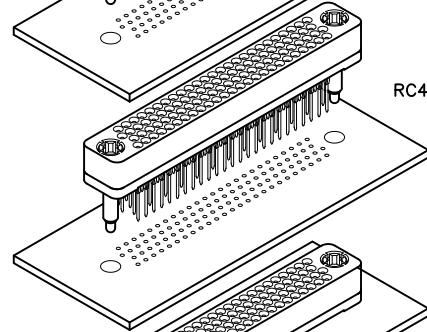
**RC4**

28 thru 300 Contacts

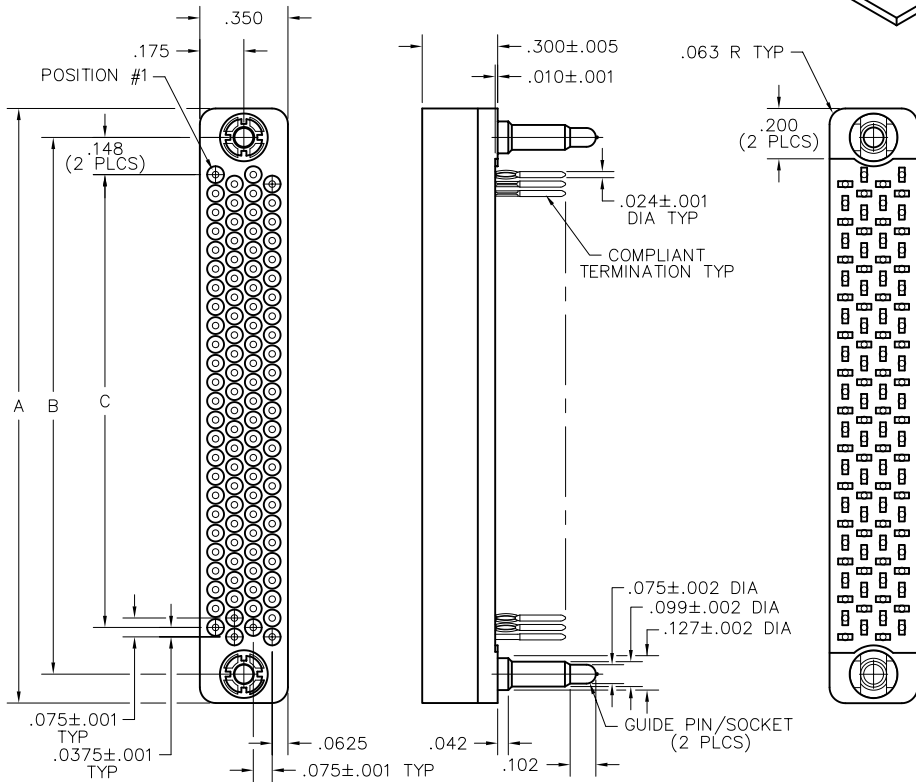
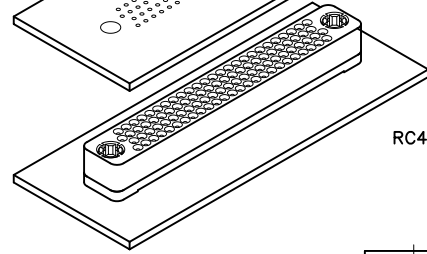
RC442-100-301-3900



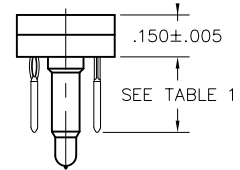
RC422-100-201-3900



RC422-100-101-3000

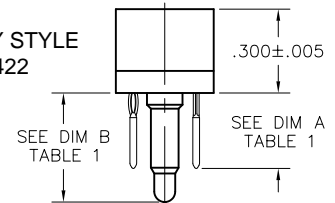


BODY STYLE  
442

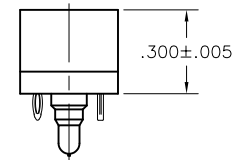


OPTIONAL INSULATOR FOR TOP  
CONNECTOR TERMINATION  
OPTIONS: 301, 311, 321, 331,  
341, 351, 361, 371 AND 381  
(W/CIRCUIT TEST POINT)

BODY STYLE  
422



BODY STYLE  
422



CONTACT/HARDWARE  
OPTION 101  
(TERMINATES CIRCUIT)

DIMENSIONS			
SIZE	A	B	C
28	1.014	.784	.450
52	1.464	1.234	.900
76	1.914	1.684	1.350
100	2.364	2.134	1.800
128	2.889	2.659	2.325
152	3.339	3.109	2.775
200	4.239	4.009	3.675
252	5.214	4.984	4.650
300	6.114	5.884	5.550

TABLE 1		
CONTACT TERMINATION	CONTACT	HARDWARE
	A	B
201, 301	.270	.370
211, 311	.300	.400
221, 321	.400	.500
231, 331	.500	.600
241, 341	.700	.800
251, 351	.800	.900
261, 361	.900	1.000
271, 371	.600	.700
281, 381	1.000	1.100
101	.095	.195

RC422-100- 211-4000  
XXXXX-XXX-XXX-XXXX

**SERIES**

RC Press fit stackable PC connector

**BODY**

**BODY STYLE:**

- 422 4 Row receptacle
- 442 4 Row low profile receptacle (Requires 3XX contact)

**SIZE**

028, 052, 076, 100, 128, 152, 200, 252, 300

**CONTACTS**

**TYPE CONTACTS/TERMINATIONS:**

- 101 Socket contact, press fit tail .095" (Use with body style 422 only)
- 201 Socket contact, press fit tail .270" (Use with body style 422 only)
- 211 Socket contact, press fit tail .300" (Use with body style 422 only)
- 221 Socket contact, press fit tail .400" (Use with body style 422 only)
- 231 Socket contact, press fit tail .500" (Use with body style 422 only)
- 241 Socket contact, press fit tail .700" (Use with body style 422 only)
- 251 Socket contact, press fit tail .800" (Use with body style 422 only)
- 261 Socket contact, press fit tail .900" (Use with body style 422 only)
- 271 Socket contact, press fit tail .600" (Use with body style 422 only)
- 281 Socket contact, press fit tail 1.000" (Use with body style 422 only)
- 301 Press fit tail .270" (Use with body style 442 or 422)
- 311 Press fit tail .300" (Use with body style 442 or 422)
- 321 Press fit tail .400" (Use with body style 442 or 422)
- 331 Press fit tail .500" (Use with body style 442 or 422)
- 341 Press fit tail .700" (Use with body style 442 or 422)
- 351 Press fit tail .800" (Use with body style 442 or 422)
- 361 Press fit tail .900" (Use with body style 442 or 422)
- 371 Press fit tail .600" (Use with body style 442 or 422)
- 381 Press fit tail 1.000" (Use with body style 442 or 422)

**HARDWARE**

**GUIDE HARDWARE**

- 3000 Use with -101 contact
- 3900 Use with -201 or -301 contact
- 4000 Use with -211 or -311 contact
- 4100 Use with -221 or -321 contact
- 4200 Use with -231 or -331 contact
- 4300 Use with -241 or -341 contact
- 4400 Use with -251 or -351 contact
- 4500 Use with -261 or -361 contact
- 4600 Use with -271 or -371 contact
- 4700 Use with -281 or -381 contact

**FIXED JACKSOCKET (to mate with RC cable only)**

- 30FT Use with -101 contact
- 39FT Use with -201 or -301 contact
- 40FT Use with -211 or -311 contact
- 41FT Use with -221 or -321 contact
- 42FT Use with -231 or -331 contact
- 43FT Use with -241 or -341 contact
- 44FT Use with -251 or -351 contact
- 45FT Use with -261 or -361 contact
- 46FT Use with -271 or -371 contact
- 47FT Use with -281 or -381 contact

**CONTACT/  
TERMINATION  
TYPES**



101



201 251  
211 261  
221 271  
231 281  
241



301 351  
311 361  
321 371  
331 381  
341

Minimum contact engagement from mating face (.305" insulator height) ..... .114"  
 Maximum contact engagement from mating face (.295" insulator height) ..... .214"  
 Minimum PWB thickness ..... .058"

4 Row Press Fit Stackable Tools Available:

Cap Removal Tool - AirBorn part number CDG10056

Contact Removal Tool - AirBorn part number CDG10057

**Ask About AirBorn's Accelerated Delivery Service**

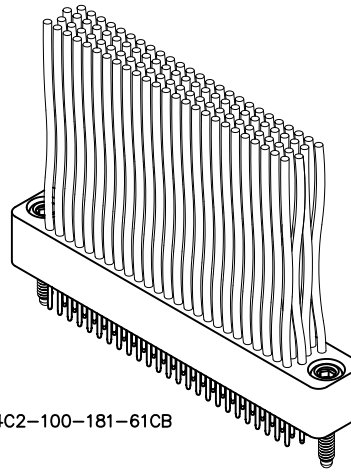


# 4 · ROW Press Fit Stackable Cable Mate

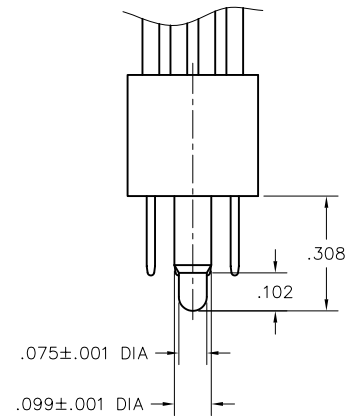
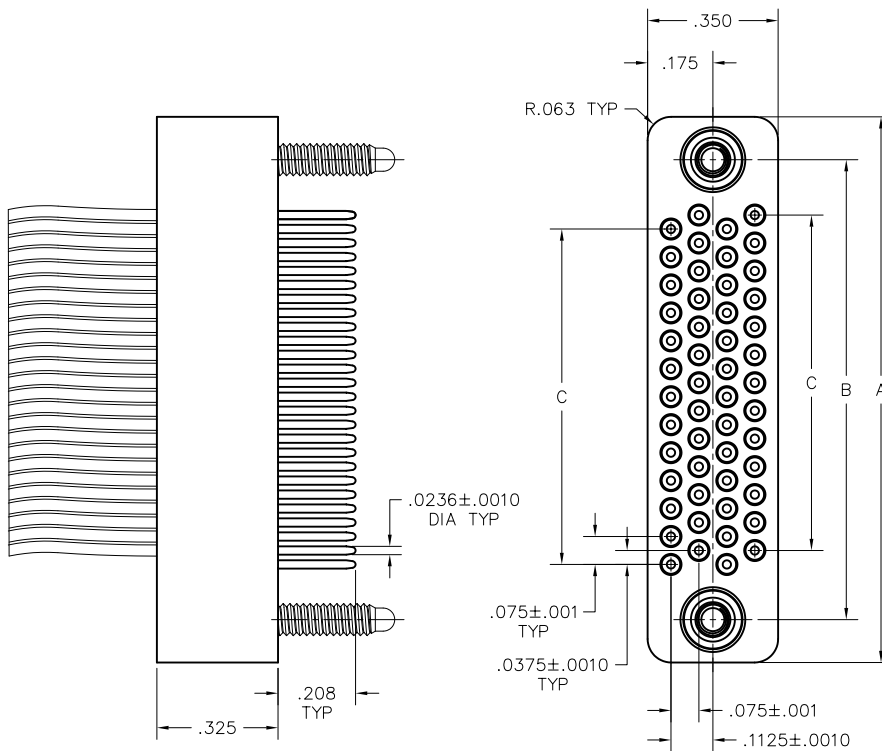
.075"

**RC4**

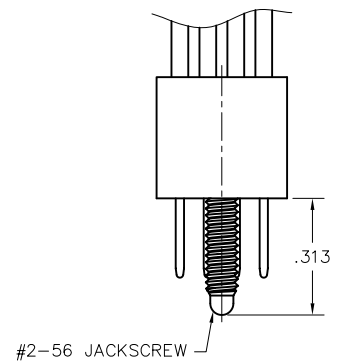
28 thru 152 Contacts



RC4C2-100-181-61CB



HARDWARE STYLE  
57



HARDWARE STYLE  
61

DIMENSIONS			
SIZE	A	B	C
28	1.014	.784	.450
52	1.464	1.234	.900
76	1.914	1.684	1.350
100	2.364	2.134	1.800
128	2.889	2.659	2.325
152	3.339	3.109	2.775

Call (972) 931-3200 Fax (972) 931-9305 [www.AirBorn.com](http://www.AirBorn.com)

RC4C2-100-181-61CB  
XXXXX-XXX-XXX-XXXX

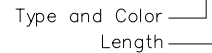
<b>SERIES</b>	
RC	Press fit stackable PC connector
<b>BODY</b>	
BODY STYLE:	
4C2	4 Row plug with potting well
<b>SIZE</b>	
028, 052, 076, 100, 128, 152	
<b>CONTACTS</b>	
TYPE CONTACTS/TERMINATIONS:	
111	Pin, straight, solder cup
151	Pin, straight, flex circuit
181	Pin, straight, stranded wire (24-26 awg)
191	Pin, straight, stranded wire (28-30 awg)
<b>HARDWARE</b>	
STYLE OF HARDWARE:	
00	None
57	Guide pins, non-polarized
61	Hex turning jackscrews (must have fixed jacksocket hardware on board connector)
<b>WIRE</b>	
00	None (solder cup or flex)
XX	See Wire Codes at right

**WIRE CODES**

TYPE and COLOR			LENGTH	
Code	Size	Color	Code	Length (+1"/-0")
Mil-W-16878/4				
C	24 awg	Ten repeating	A	6"
D	24 awg	White	B	12"
E	26 awg	Ten repeating	C	18"
F	26 awg	White	D	24"
G	28 awg	Ten repeating	E	30"
H	28 awg	White	F	36"
J	30 awg	Ten repeating	G	42"
K	30 awg	White	H	48"
Mil-W-22759/33				
N	24 awg	Ten repeating	J	54"
P	24 awg	White	K	60"
R	26 awg	Ten repeating	L	66"
S	26 awg	White	M	72"
T	28 awg	Ten repeating	N	84"
U	28 awg	White	P	96"
V	30 awg	Ten repeating	R	108"
W	30 awg	White	S	120"

Part number example:

RC4C2-100-181-61CB



Ten repeating colors:

- Black
- Brown
- Red
- Orange
- Yellow
- Green
- Blue
- Violet
- Grey
- White

# 4 • ROW

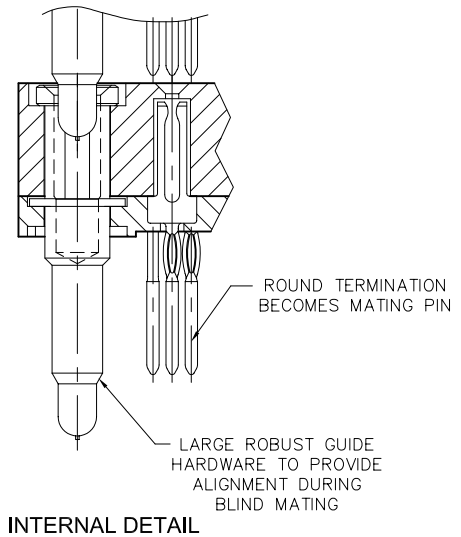
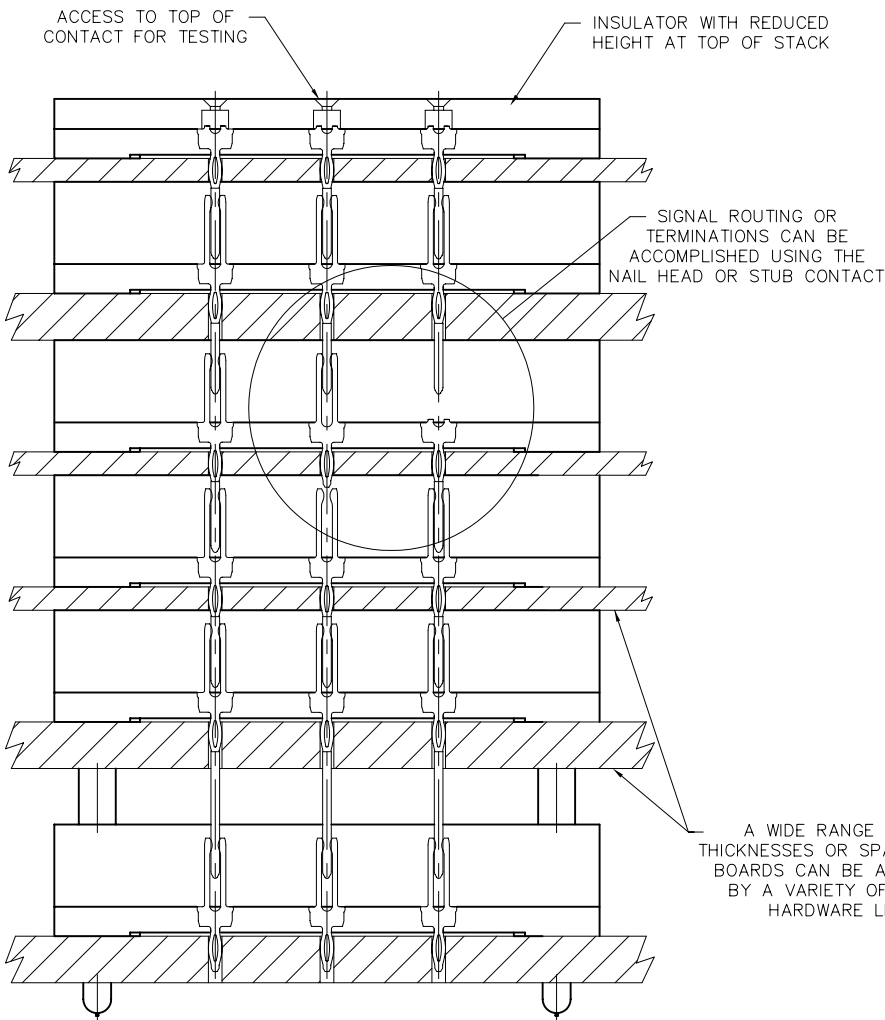
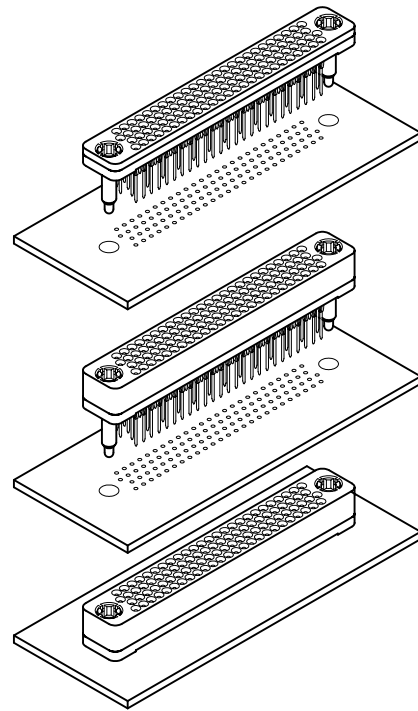
## Press Fit Stackable

.075"

**RC4**

28 thru 300 Contacts

Typical  
Applications





# ROW · 4

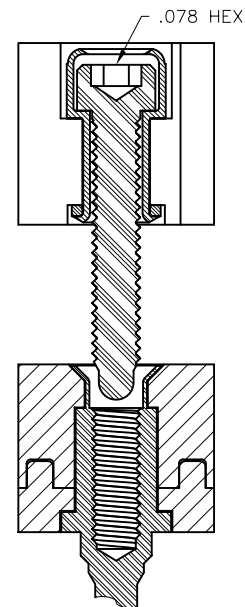
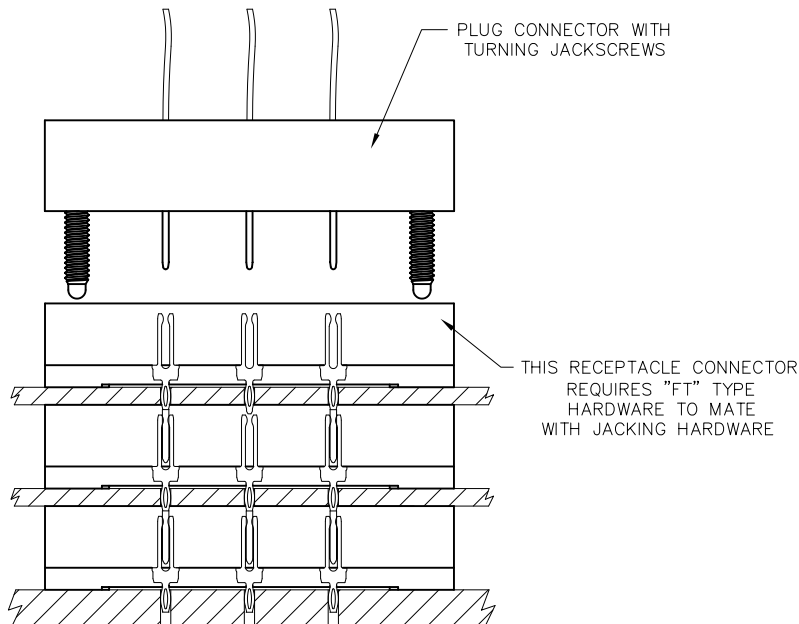
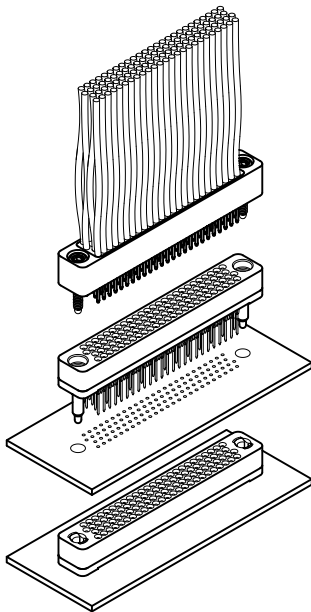
## Press Fit Stackable with Cable Mate

.075"

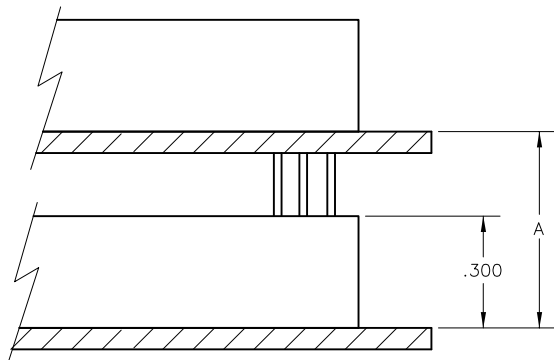
**RC4**

28 thru 152 Contacts

Typical  
Applications



INTERNAL DETAIL



Determine Required Termination Lead Length:

To calculate required termination lead length, use the example below. Measurements listed are in inches.

Dimension A = .720

.720 - .300 (insulator height) = .420

.420 + .114 (minimum pin engagement) = .534

.420 + .214 (maximum pin engagement) = .634

In this example, the termination option to choose is .600 lead length.

The contact termination option will be a length between the minimum and maximum pin engagement measurement. Contact lengths can be found on page R-82.