



Welcome to the World of AirBorn Interconnect Solutions

**CATALOG PAGES CURRENT AS OF MAY 2013 FOR MOST CURRENT CATALOG
VISIT US AT WWW.AIRBORN.COM OR CLICK ON THE CATALOG PAGE REVISION**

AirBorn has been manufacturing high reliability interconnect systems for more than 45 years with leading-edge, innovative technology that is more reliable and better-performing than practically all other alternatives.

Our advanced technologies, experienced design support, incomparable lead times and personalized customer service and support provide customers with complete solutions to a vast array of highly specialized design requirements in diverse markets and applications.

You will find in this catalog technical drawings and specification information that will help you solve your interconnection needs from the design stage through production specification.

The products in this catalog are organized by the AirBorn part number assigned to them.

Each connector part number identifies five elements:

- AirBorn Series
- Body
- Size (number of contacts)
- Contact Type
- Hardware Type

Each catalog page shows the choices available for each of these elements. By selecting one option from any category on the page, you can build a set of connectors to meet your requirements.

If you do not find a particular connector size or option, please contact AirBorn for further assistance. AirBorn can manufacture special configurations for your exact specifications.

When everything matters, go AirBorn.

www.AirBorn.com

AirBorn International LTD

Mercury House, Station Road
Edenbridge. Kent. TN8 6HL
United Kingdom

Phone: +44 (0)1732 864930
E-mail: cs@airbornint.com

AirBorn

4321 AirBorn Drive
Addison, TX 75001-0519
United States

Phone: (972) 931-3200
Fax: (972) 931-9305
E-mail: info@airborn.com

AirBorn

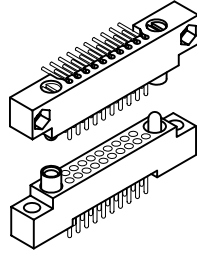
3500 AirBorn Circle
Georgetown, TX 78626
United States

Phone: (512) 863-5585
Fax: (512) 863-8259
E-mail: info@airborn.com

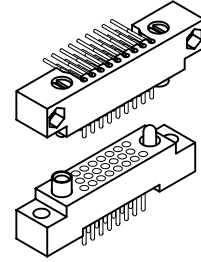
"R" SERIES - .075"
MIL-C-55302

Daughterboard to Motherboard or Chassis

Right angle plug mating to
straight receptacle.

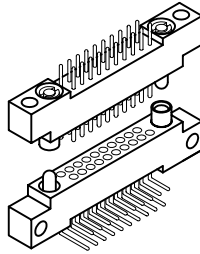


2 Row
Sizes: 10 thru 100
Page: R-9

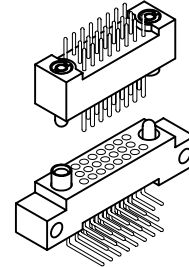


3 Row
Sizes: 11 thru 206
Page: R-21

Right angle receptacle mating to
straight plug.

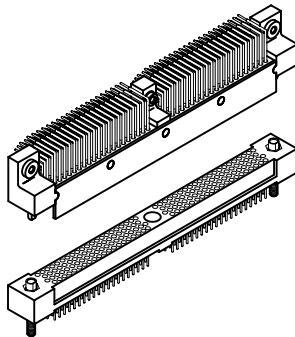


2 Row
Sizes: 10 thru 100
Page: R-11

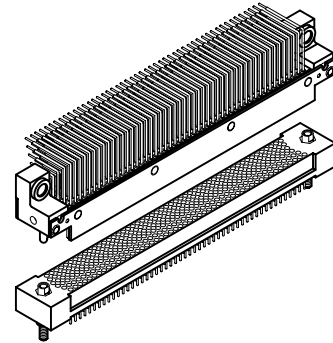


3 Row
Sizes: 11 thru 206
Page: R-23

Right angle plug mating to
straight receptacle.

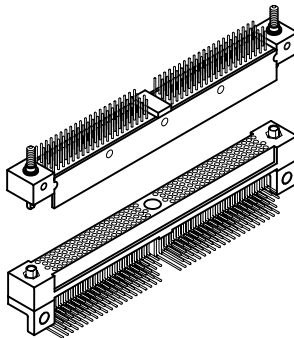


4 Row
Sizes: 86 thru 404
Page: R-43

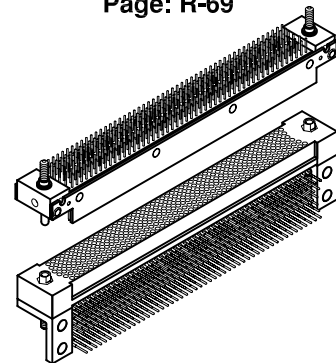


6 Row
Sizes: 162 thru 402
Page: R-59
Sizes: 448 & 604
Page: R-69

Right angle receptacle
mating to straight plug.



4 Row
Sizes: 86 thru 404
Page: R-45

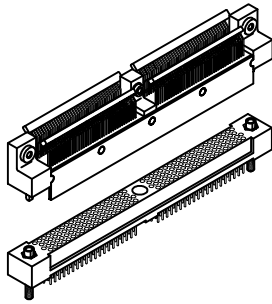


6 Row
Sizes: 162 thru 402
Page: R-61
Sizes: 448 & 604
Page: R-71

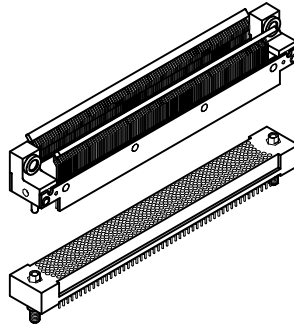


Daughterboard to Motherboard or Chassis

Surface mount plug
mating to straight receptacle.



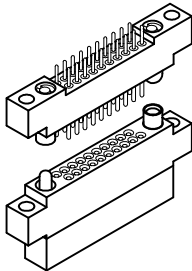
4 Row
Sizes: 86 thru 404
Page: R-47



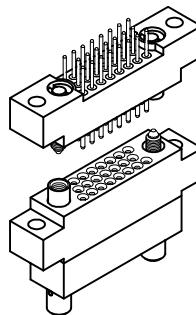
6 Row
Sizes: 162 thru 402
Page: R-63
Sizes: 448 & 604
Page: R-73

Cable or Board mating to Crimp Removable

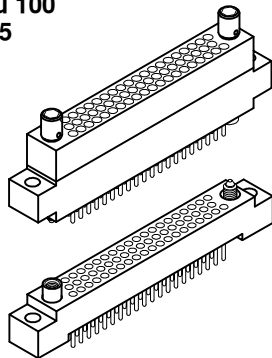
Straight plug mating to
crimp removable receptacle.



2 Row
Sizes: 10 thru 100
Page: R-15

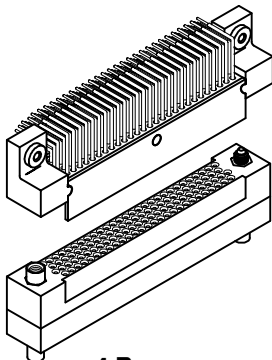


3 Row
Sizes: 11 thru 80
Page: R-27



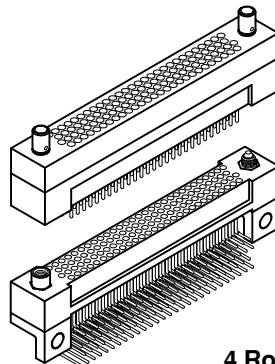
3 Row
Sizes: 11 thru 80
Page: R-31

Crimp removable plug mating to
straight receptacle



4 Row
Sizes: 86 & 110
Page: R-49

Straight plug mating to
crimp removable receptacle.

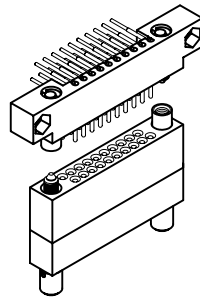


Crimp removable plug mating
to right angle receptacle.

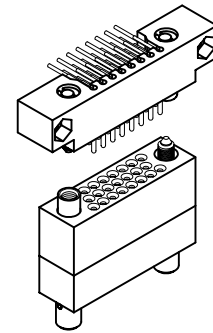
4 Row
Sizes: 86 & 110
Page: R-51



Right angle plug mating to crimp removable receptacle.

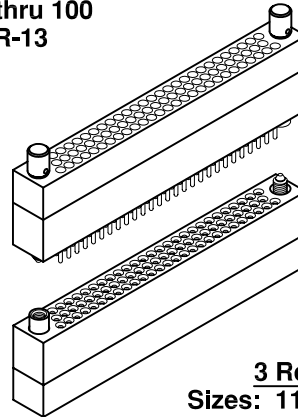


2 Row
Sizes: 10 thru 100
Page: R-13



3 Row
Sizes: 11 thru 80
Page: R-25

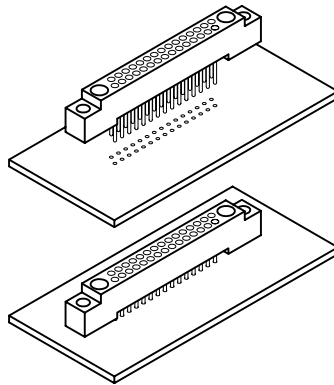
Crimp removable plug mating to crimp removable receptacle.



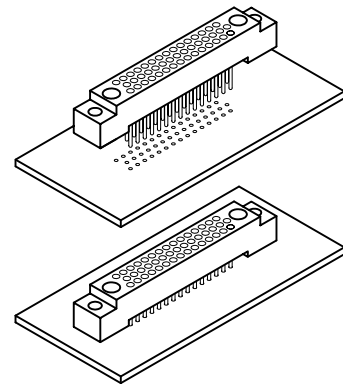
3 Row
Sizes: 11 thru 80
Page: R-29

PC Board Stackable

Plated thru hole stackable or connector saver.

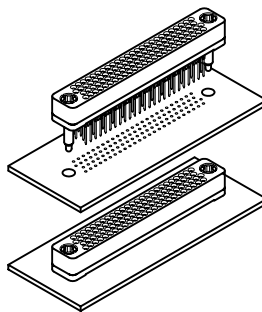


2 Row
Sizes: 10 thru 100
Page: R-18

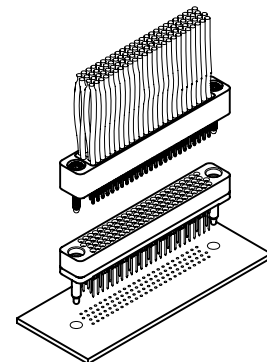


3 Row
Sizes: 11 thru 206
Page: R-34

Compliant pin (press fit) stackable.



4 Row
Sizes: 28 thru 300
Page: R-82



4 Row
Sizes: 28 thru 152
Page: R-85

Call (972) 931-3200 · Fax (972) 931-9305 · www.AirBorn.com

Contents



"R" Series

.075" Rectangular Plastic Board Level Connectors

- R-1 Index
- R-4 Contents
- R-6 Specifications
- R-7 Performance
- R-8 Part number description

2-Row Connectors - Board to Board, Board to Cable, Sizes: 10-100

- R-9 RM252, RM272 Plug, right angle with or without mounting ears
RM222, RM242 Receptacle, straight, with or without mounting ears
- R-11 RM212, RM232 Plug, straight, with or without mounting ears
RM262, RM282 Receptacle, right angle, with or without mounting ears
- R-13 RM252, RM272 Plug, right angle, with or without mounting ears
RM222, RM242 Receptacle, straight, crimp removable, with or without mounting ears
- R-15 RM212, RM232 Plug, straight, with or without mounting ears
RM222, RM242 Receptacle, straight, crimp removable, with or without mounting ears
- R-18 RM222, RM242 Receptacle, straight, stackable or connector saver
- R-18.1 RA2 Receptacle, straight with or without potting well or mounting ears
- R-19 RM252, RM272 Board layout - plug, right angle
RM212, RM232 Board layout - plug, straight
- R-20 RM262, RM282 Board layout - receptacle, right angle
RM222, RM242 Board layout - receptacle, straight

3-Row Connectors - Board to Board, Board to Cable, Sizes: 11-206

- R-21 RM352, RM372 Plug, right angle with or without mounting ears
RM322, RM342 Receptacle, straight, with or without mounting ears
- R-23 RM312, RM332 Plug, straight, with or without mounting ears
RM362, RM382 Receptacle, right angle, with or without mounting ears
- R-25 RM352, RM372 Plug, right angle, with or without mounting ears
RM322, RM342 Receptacle, straight, crimp removable, with or without mounting ears
- R-27 RM312, RM332 Plug, straight, with or without mounting ears
RM322, RM342 Receptacle, straight, crimp removable, with or without mounting ears
- R-29 RM312, RM332 Plug, straight, crimp removable, with or without mounting ears
RM322, RM342 Receptacle, straight, crimp removable, with or without mounting ears
- R-31 RM312, RM332 Plug, straight, crimp removable, with or without mounting ears
RM322, RM342 Receptacle, straight, with or without mounting ears
- R-33 RA3 Plug, straight, with or without potting well or mounting ears
- R-33.2 RA3 Receptacle, straight, with or without potting well or mounting ears
- R-33.4 RA RA Assembly instructions, crimp instructions and crimp accessories
- R-34 RM322, RM342 Receptacle, straight, stackable or connector saver
- R-35 RM352, RM372 Board layout - plug, right angle
RM312, RM332 Board layout - plug, straight
- R-36 RM362, RM382 Board layout - receptacle, right angle
RM322, RM342 Board layout - receptacle, straight
- R-38 Guide hardware, polarization chart, 2 & 3 row
- R-39 Contacts, 2 & 3 row
- R-40 Military cross reference chart, 2 & 3 row
- R-41 Jacksets and guide sets, 2 & 3 row

4-Row Connectors - Board to Board, Board to Cable, Sizes: 86-300

- R-43 RM452 Plug, right angle, with mounting ears
RM422 Receptacle, straight, with mounting ears
- R-45 RM412 Plug, straight, with mounting ears
RM462 Receptacle, right angle, with mounting brackets
- R-47 RM412 Plug, surface mount, with mounting ears
RM422 Receptacle, straight, with mounting ears
- R-49 RM412 Plug, right angle, with mounting ears
RM422 Receptacle, straight, crimp removable, without mounting ears

-- Continued on next page

Contents

-- Continued from previous page

R-51	RM412	Plug, straight, crimp removable, with or without mounting ears
	RM462	Receptacle, right angle, with mounting ears
R-53	RM452	Board layout - plug, right angle
	RM412	Board layout - plug, straight
R-54	RM462	Board layout - receptacle, right angle
	RM422	Board layout - receptacle, straight
R-55	RM412	Board layout - plug, straddle mount SMT, with mounting ears
R-56	RM412	Configuration chart - plug, straddle mount SMT
R-57	RM4	Polarization chart - guide hardware
R-58	RM4	Contacts, 4 row
6-Row Connectors - PC Card SMT to Board, Sizes: 162-402		
R-59	RM672	Plug, right angle, with mounting ears
	RM642	Receptacle, straight, with mounting ears
R-61	RM632	Plug, straight, with mounting ears
	RM682	Receptacle, right angle, with mounting brackets
R-63	RM632	Plug, surface mount, with mounting ears
	RM642	Receptacle, straight, with mounting ears
R-65	RM672	Board layout - plug, right angle
	RM632	Board layout - plug, straight
R-66	RM682	Board layout - receptacle, right angle
	RM642	Board layout - receptacle, straight
R-67	RM632	Board layout - plug, straddle mount SMT, with mounting ears
6-Row Connectors - PC Card SMT to Board, Sizes: 448 & 604		
R-69	RM652	Plug, right angle, with mounting ears
	RM622	Receptacle, straight, with mounting ears
R-71	RM612	Plug, straight, with mounting ears
	RM662	Receptacle, right angle, with mounting brackets
R-73	RM612	Plug, surface mount, with mounting ears
	RM622	Receptacle, straight, with mounting ears
R-75	RM652	Board layout - plug, right angle
	RM612	Board layout - plug, straight
R-76	RM662	Board layout - receptacle, right angle
	RM622	Board layout - receptacle, straight
R-77	RM612	Board layout - plug, straddle mount SMT, with mounting ears
R-78	RM6	Contacts, 6 row
4-Row Connectors - Press fit, Stackable, Sizes: 28-300		
R-79	RC422, RC442	Specifications, Stackable Compliant Pin Connectors
R-80	RC422, RC442	Performance, Stackable Compliant Pin Connectors
R-81	RC422, RC442	Receptacle, standard and low profile
R-82	RC422, RC442	Part number build-up
R-82.1	RC4C2	Plug, with potting well, stranded wire
R-82.2	RC4C2	Part number build-up
R-83	RC422, RC442	Typical applications
R-83.1	RC4C2	Press fit stackable with cable mate
R-84	RC422, RC442	Board layout

Specifications

Materials and Finishes *

Pin Contacts:	BeCu, per ASTM-B196, ASTM B 197/B 197M-, or brass alloy per ASTM B 16/B 16M or ASTM-B134
Socket Contacts:	BeCu per ASTM-B194 and/or ASTM-B196, ASTM B 197/B 197M-, or brass per ASTM B 16/B 16M or ASTM-B134
Contact Finish:	Gold plate per ASTM B 488-, SAE AMS 2422, or localized finish per MIL-C-55302
Solder:	Sn/Pb Alloy - 63% Tin, 37% Lead composition (☒). SAC305 - 96.5% Tin, 3.0% Silver, 0.5% Copper composition.
Molded Insulators:	Glass filled polyphenylene sulfide per MIL-M-24519, Type GST-40F
Jackscrews:	Stainless steel per ASTM A 582/A582M-, Passivated per ASTM-A967, SAE AMS-QQ-P-35
Jacksockets:	Stainless steel per ASTM A 582/A582M-, Passivated per ASTM-A967, SAE AMS-QQ-P-35
Jackscrew Knobs:	Stainless steel per ASTM A 582/A582M-, Passivated per ASTM-A967, SAE AMS-QQ-P-35
Guide Pins, Guide Sockets:	Stainless steel per ASTM A 582/A582M-, Passivated per ASTM-A967, SAE AMS-QQ-P-35
Guide Sockets, Polarized "D" type:	BeCu per ASTM-B196, ASTM B 197/B 197M-, Nickel plated per SAE AMS-QQ-N-290
Connector Markings:	Contact numbers are stamped on the side of the connector. Numbers are stamped on the low-numbered side only on 2-row and 3-row right angle connectors
Tolerances:	Unless otherwise specified: Fractions = $\pm 1/64$ " Decimals = $\pm .010$ " Angles = $\pm 5^\circ$

Note: AirBorn can manufacture special configurations for your exact specifications.

* = Reference the above listed specifications or an equivalent industry standard when applicable

☒ Symbolizes options that are not ROHS compliant.



Performance Reference MIL-C-55302

Contact Rating:	3-amperes (2 amperes for .016 diameter)
Solderability:	Terminals (except wire wrap [®] , crimp and stackables) tested in accordance with MIL-STD-202, Method 208
Wire Size:	Stranded #26 AWG
Operating Temperature:	-65° to +125° C or -85° to +257° F

<u>Category:</u>	<u>Requirements:</u>	<u>Test Method Per:</u> <u>SAE AS 13441</u>
Test Voltage:	750 V, RMS, 60 Hz @ sea level 250 V, RMS, 60 Hz @ 70,000 feet	#3001
Insulation Resistance:	5,000 megohms minimum @ 500 VDC	#3003
Durability:	500 connector mating cycles	
Vibration:	Mated connectors, Test condition III	#2005
Salt Spray:	Mated connectors, Test condition B	#1001
Shock:	Mated connectors, Test condition G	#2004
Humidity:	Test Type II, except steps 7A and 7B not required	#1002
Temperature Cycling:	Mated connectors, Test condition A	#1003
Contact Resistance:	.015 ohms max (interface measurement) @ 3 amperes	#3004
Connector Mating Force:	2.50 oz. x number of contacts average	
Outgassing:	The entire connector assembly shall have maximum total mass loss (TML) of 1.0 percent of the original specimen mass and shall have a maximum volatile condensable material (VCM) content of 0.1 percent of the original specimen mass.	
Sizes 50 and larger:	Upon engagement, center area of mating faces may remain open .010" to .025" due to slight flexing of molding. Vibration or shock should provide complete closure.	
Guides and Jacks:	If location of pin or socket contacts is reversed, location of male and female guides or jacks is also reversed; except when using "D" shaped polarized guides. When polarized positions are changed, apply Loctite [®] 242-12 or equivalent to threads.	

Part Number Description

Each part number consists of at least five elements: series, body description, size (number of contacts), type of contacts, and type of hardware. A sixth element is added whenever special modifications or options are available.

Each catalog page shows the choices available for each of these elements. By selecting one option from each category on the page, you can build a set of connectors to meet your requirements.

Each element is identified by a combination of letters and/or numbers in fixed field lengths, and separated by a hyphen (-). Each space must be filled in to complete the number. When the size, for example, is less than 100, indicate as 010, 080, etc.

Series:

This will always be a two letter designator, and will identify the connector series. All .075" connectors begin with the letter "R". The second letter designates the various styles of .075" connectors.

Body:

Each digit of the Body Designator will normally identify (1) the number of rows, (2) the style of body, and (3) the body materials. The three digit number to identify the body consists of one digit from each group.

Size:

The size is determined by the number of contacts in the connector, and is an integral part of the part number. Order only sizes shown on the catalog page unless otherwise noted.

Contacts:

Each page also identifies all contact options for a given connector. The first two digits designate the type of contacts and terminations; the third digit designates the plating option.

Hardware:

The hardware designator is four digits; two for style of hardware and two for polarization or wiring instruction. Follow the choices for each connector.

Special Instructions (Options):

Special instructions are referenced by a three digit number added to the end of the part number. The last three digits are included only when applicable. AirBorn, Inc. will provide individual code numbers as needed.

Note:

Each page is as comprehensive as possible. However, if you do not find a particular connector size or option, please contact the factory for further assistance.

Symbolizes options that are not RoHS compliant.

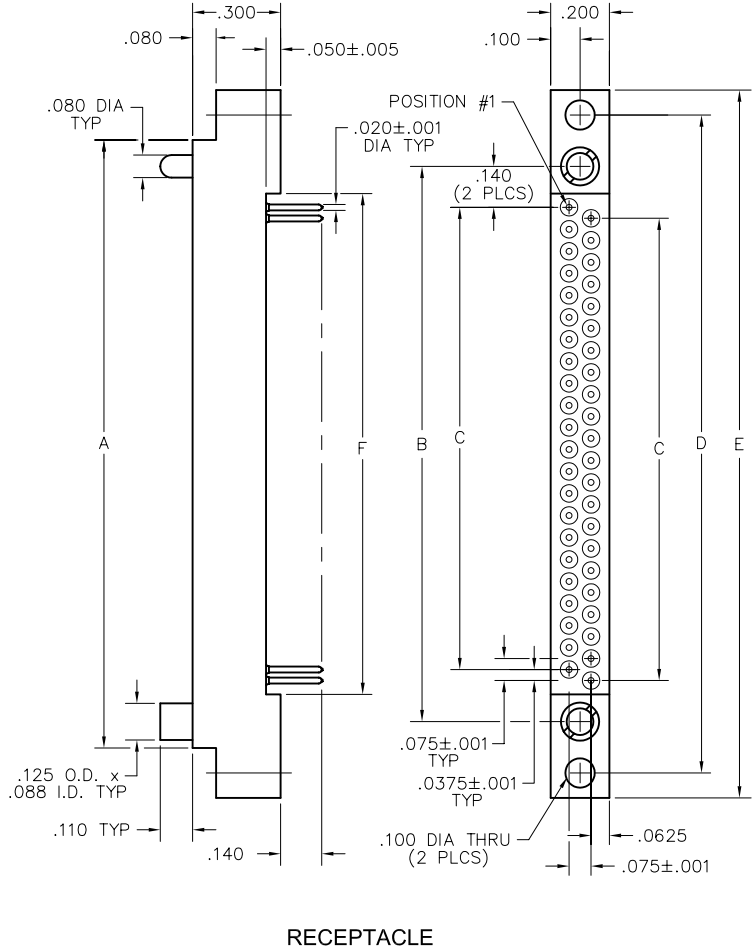
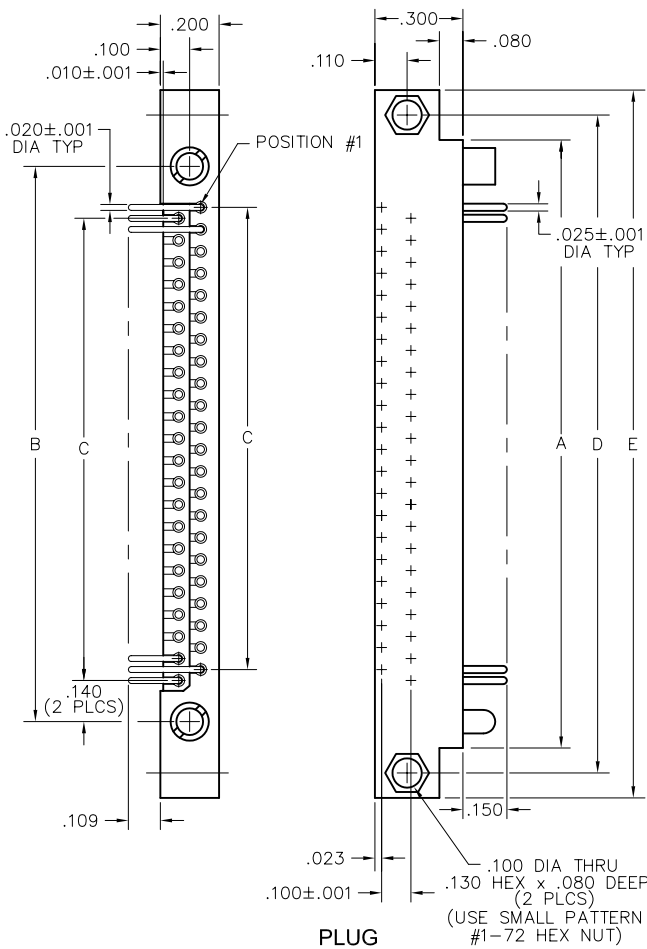
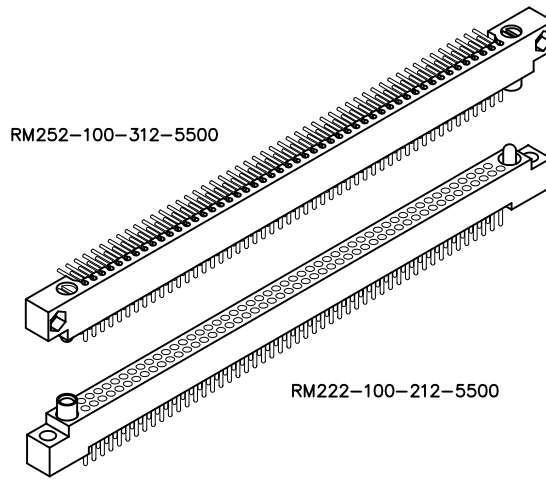


2 · ROW Daughterboard to Motherboard or Chassis

.075"

RM2

10 thru 100 Contacts



PLUG

RECEPTACLE

DIMENSIONS						
SIZE	A	B	C	D	E	F
10	.797	.617	.300	.967	1.137	.432
20	1.172	.992	.675	1.342	1.512	.807
30	1.547	1.367	1.050	1.717	1.887	1.182
40	1.922	1.742	1.425	2.092	2.262	1.557
50	2.297	2.117	1.800	2.467	2.637	1.932
60	2.672	2.492	2.175	2.842	3.012	2.307
70	3.047	2.867	2.550	3.217	3.387	2.682
80	3.422	3.242	2.925	3.592	3.762	3.057
90	3.797	3.617	3.300	3.967	4.137	3.432
100	4.172	3.992	3.675	4.342	4.512	3.807

PLUG: RM252-100-312-5500
RECEPTACLE: RM222-100-212-5500
 XXXXX-XXX-XXX-XXXXXX

PLUG

RECEPTACLE

SERIES	
RM .075" Screw Machine PC Connector	RM .075" Screw Machine PC Connector

BODY	
2 2-Row	2 2-Row
BODY STYLE:	BODY STYLE:
5 Plug, right angle, with mounting ears	2 Receptacle, straight with mounting ears
7 Plug, right angle, without mounting ears	4 Receptacle, straight without mounting ears

BODY MATERIAL:	BODY MATERIAL:
2 Polyphenylene sulfide (PPS)	2 Polyphenylene sulfide (PPS)

SIZE	
010, 020, 030, 040, 050, 060, 070, 080, 090, 100	010, 020, 030, 040, 050, 060, 070, 080, 090, 100

CONTACTS	
TYPE CONTACTS/TERMINATIONS:	TYPE CONTACTS/TERMINATIONS:
31 Pin, right angle, dip solder, .109" x .020" dia	20 Socket, straight, dip solder, .109" x .020 dia
32 Pin, right angle, dip solder, .140" x .020" dia	21 Socket, straight, dip solder, .140" x .020 dia
33 Pin, right angle, dip solder, .172" x .020" dia	22 Socket, straight, dip solder, .172" x .020 dia
34 Pin, right angle, dip solder, .109" x .016" dia	23 Socket, straight, dip solder, .250" x .020 dia
35 Pin, right angle, dip solder, .140" x .016" dia	24 Socket, straight, solder cup
36 Pin, right angle, dip solder, .172" x .016" dia	25 Socket, straight, flex circuit, .093" x .017 dia
37 Pin, right angle, dip solder, .250" x .020" dia	26 Socket, straight, wire wrap®, .500" x .018 square
	27 Socket, straight, wire wrap®, .375" x .018 square
	28 Socket, straight, wire wrap®, .625" x .018 square
	29 Socket, connector saver, .150" x .025" dia
	50 Socket, straight, dip solder, .140" x .016" dia
	51 Socket, straight, dip solder, .172" x .016" dia
	53 Socket, straight, stackable, .212" x .025" dia
	54 Socket, straight, stackable, .244" x .025" dia
	55 Socket, straight, stackable, .275" x .025" dia
	64 Socket, straight, press fit, .203" (Board .093"-.125" thk)
	65 Socket, straight, press fit, .323" (Board .156"-.200" thk)
	66 Socket, straight, press fit, .403" (Board .250"+ thk)

PLATING OPTIONS:	PLATING OPTIONS:
1 Gold plated termination	1 Gold plated termination
2 Pre-tinned termination, SnPb alloy <input checked="" type="checkbox"/>	2 Pre-tinned termination, SnPb alloy (dip solder options only) <input checked="" type="checkbox"/>
3 Pre-tinned termination, SAC305 alloy	3 Pre-tinned termination, SAC305 alloy (dip solder options only)

HARDWARE	
STYLE OF HARDWARE: (See R-41 & R-42 for all options)	STYLE OF HARDWARE: (See R-41 & R-42 for all options)
0256 None	0256 None
55 Guide set	55 Guide set
57 Two guide pins	57 Two guide pins
58 Two guide sockets	58 Two guide sockets
29 Fixed jackset	29 Fixed jackset
30 Fixed jackset, reversed	30 Fixed jackset, reversed
19 Two fixed jackscrews	19 Two fixed jackscrews
20 Two fixed jacksockets	20 Two fixed jacksockets
59 Hex turning jackset, .200"	59 Hex turning jackset, .200"
60 Hex turning jackset, reversed, .200"	60 Hex turning jackset, reversed, .200"
61 Two hex turning jackscrews, .200"	61 Two hex turning jackscrews, .200"
62 Two hex turning jacksockets, .200"	62 Two hex turning jacksockets, .200"
64 Turning jackset, .490"	64 Turning jackset, .490"
65 Turning jackset, reversed, .490"	65 Turning jackset, reversed, .490"
66 Two turning jackscrews, .490"	66 Two turning jackscrews, .490"
67 Two turning jacksockets, .490"	67 Two turning jacksockets, .490"

POLARIZATION:	POLARIZATION
00 None	00 None
01 thru 68 are special identifiers, see R-38	01 thru 68 are special identifiers, see R-38
70 Same configuration as 01 without Loctite® (To be keyed by customer)	70 Same configuration as 01 without Loctite® (To be keyed by customer)

OPTIONS	
BN Bond #1-72 small pattern hex nuts into mounting ears	

= Option not RoHS compliant

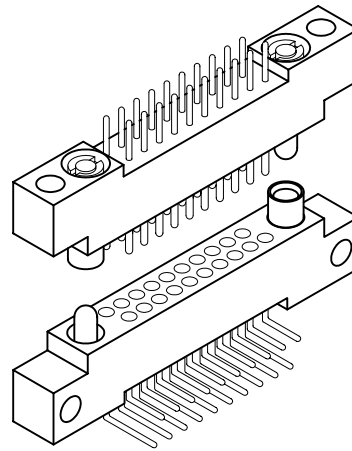
2 • ROW Motherboard or Chassis to Daughterboard

.075"

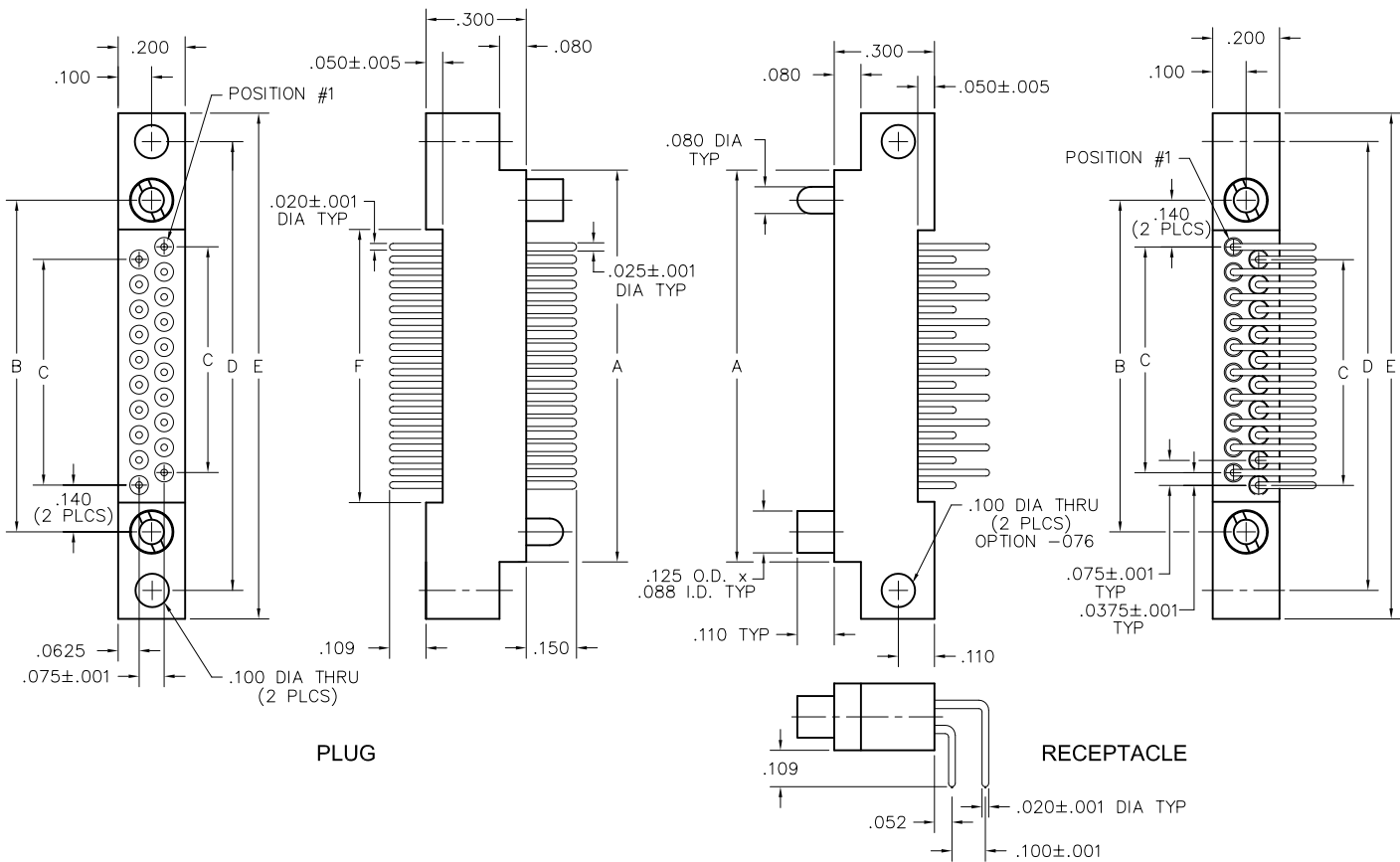
RM2

10 thru 100 Contacts

RM212-020-102-5500



RM262-020-442-5500-076



SIZE	DIMENSIONS					
	A	B	C	D	E	F
10	.797	.617	.300	.967	1.137	.442
20	1.172	.992	.675	1.342	1.512	.817
30	1.547	1.367	1.050	1.717	1.887	1.192
40	1.922	1.742	1.425	2.092	2.262	1.567
50	2.297	2.117	1.800	2.467	2.637	1.942
60	2.672	2.492	2.175	2.842	3.012	2.317
70	3.047	2.867	2.550	3.217	3.387	2.692
80	3.422	3.242	2.925	3.592	3.762	3.067
90	3.797	3.617	3.300	3.967	4.137	3.442
100	4.172	3.992	3.675	4.342	4.512	3.817

PLUG: RM212-020-102-5500
RECEPTACLE: RM262-020-442-5500-076
 XXXXX-XXX-XXX-XXXX-XXX

PLUG

RECEPTACLE

SERIES

RM .075" Screw Machine PC Connector | RM .075" Screw Machine PC Connector

BODY

2 2-Row | 2 2-Row

BODY STYLE:
 1 Plug, straight, with mounting ears | 6 Receptacle, right angle, with mounting ears
 3 Plug, straight, without mounting ears | 8 Receptacle, right angle, without mounting ears

BODY MATERIAL:
 2 Polyphenylene sulfide (PPS) | 2 Polyphenylene sulfide (PPS)

SIZE

010, 020, 030, 040, 050, 060, 070, 080, 090, 100 | 010, 020, 030, 040, 050, 060, 070, 080, 090, 100

CONTACTS

TYPE CONTACTS/TERMINATIONS:
 10 Pin, straight, dip solder, .109" x .020" dia | 44 Socket, right angle, dip solder, .109" x .020" dia
 11 Pin, straight, solder cup | 45 Socket, right angle, dip solder, .140" x .020" dia
 12 Pin, straight, dip solder, .140" x .020" dia | 46 Socket, right angle, dip solder, .172" x .020" dia
 13 Pin, straight, dip solder, .172" x .020" dia | 47 Socket, right angle, dip solder, .250" x .020" dia
 14 Pin, straight, dip solder, .250" x .020" dia
 15 Pin, straight, flex, .093" x .017" dia

PLATING OPTIONS:
 1 Gold plated termination | 1 Gold plated termination
 2 Pre-tinned termination, SnPb alloy (dip solder options only) | 2 Pre-tinned termination, SnPb alloy
 3 Pre-tinned termination, SAC305 alloy (dip solder options only) | 3 Pre-tinned termination, SAC305 alloy

HARDWARE

STYLE OF HARDWARE:
 (See R-41 & R-42 for all options)
 0256 None | 0256 None
 55 Guide set | 55 Guide set
 57 Two guide pins | 57 Two guide pins
 58 Two guide sockets | 58 Two guide sockets
 29 Fixed jackset | 29 Fixed jackset
 30 Fixed jackset, reversed | 30 Fixed jackset, reversed
 19 Two fixed jackscrews | 19 Two fixed jackscrews
 20 Two fixed jackscrews | 20 Two fixed jackscrews
 59 Hex turning jackset, .200" | 59 Hex turning jackset, .200"
 60 Hex turning jackset, reversed, .200" | 60 Hex turning jackset, reversed, .200"
 61 Two hex turning jackscrews, .200" | 61 Two hex turning jackscrews, .200"
 62 Two hex turning jackscrews, .200" | 62 Two hex turning jackscrews, .200"
 64 Turning jackset, .490" | 64 Turning jackset, .490"
 65 Turning jackset, reversed, .490" | 65 Turning jackset, reversed, .490"
 66 Two turning jackscrews, .490" | 66 Two turning jackscrews, .490"
 67 Two turning jackscrews, .490" | 67 Two turning jackscrews, .490"

POLARIZATION:
 00 None | 00 None
 01 thru 68 are special identifiers, see R-38 | 01 thru 68 are special identifiers, see R-38
 70 Same configuration as 01 without Loctite® (To be keyed by customer) | 70 Same configuration as 01 without Loctite® (To be keyed by customer)

OPTIONS

| 076 PWB mounting holes, .100" dia (cross drilled)

= Option not RoHS compliant

Ask About AirBorn's Accelerated Delivery Service

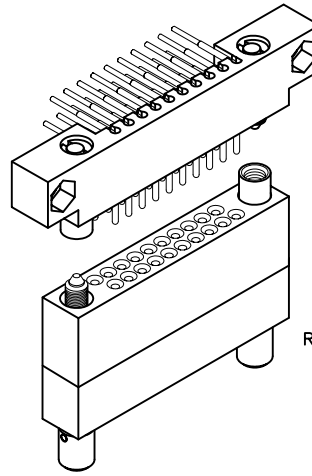
2 · ROW Board to Crimp Removable

.075"

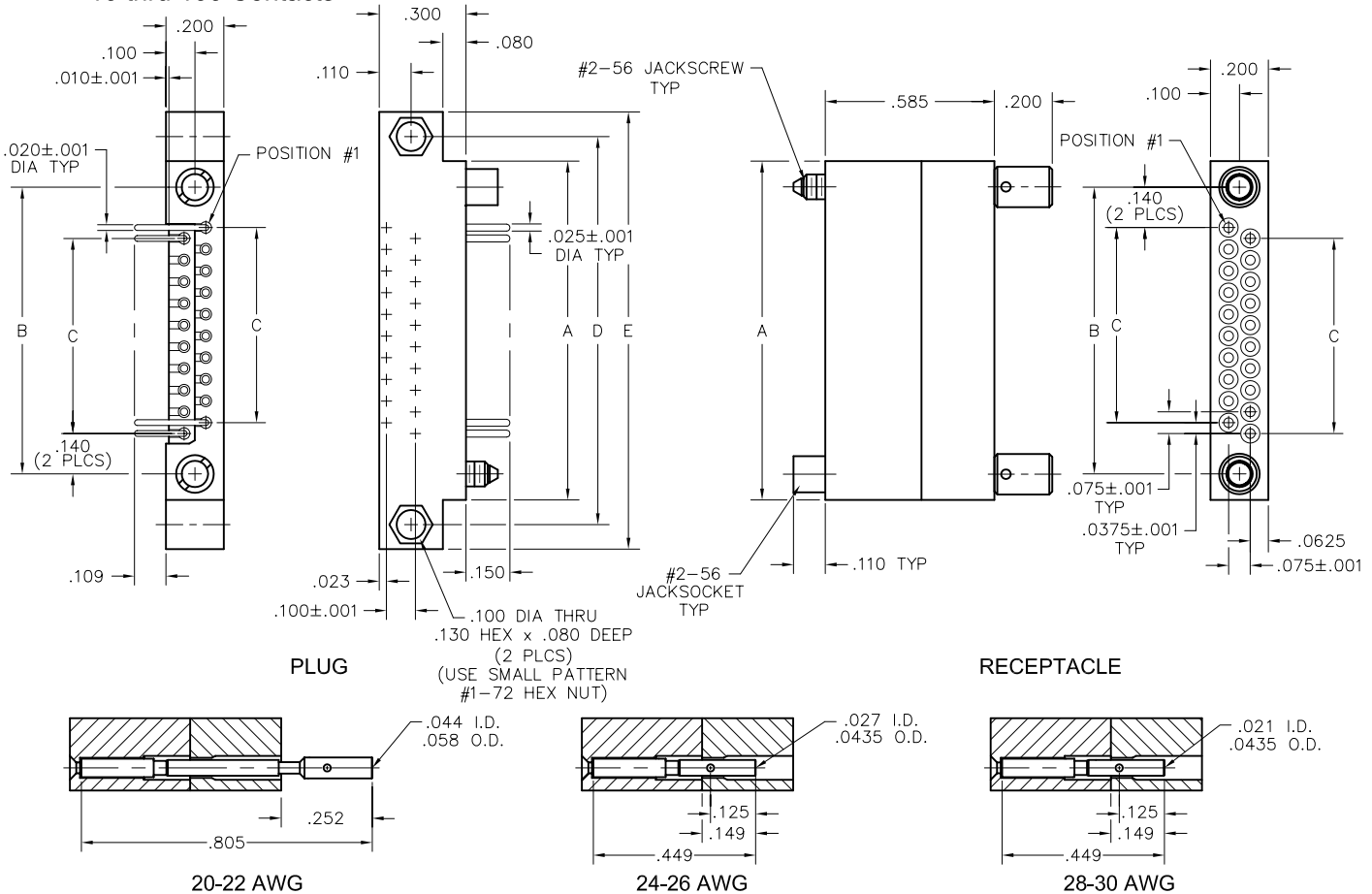
RM2

10 thru 100 Contacts

RM252-020-311-2900



RM242-020-581-5900



NOTE:

When using crimp contacts with 20 gage barrel, barrel must be cut off prior to removing contact from connector body.

CRIMP REMOVABLE CONTACTS	
SIZE	PART NUMBER
20-22 AWG	RM200-000-571-0000
24-26 AWG	RM200-000-581-0000
28-30 AWG	RM200-000-591-0000

DIMENSIONS					
SIZE	A	B	C	D	E
10	.797	.617	.300	.967	1.137
20	1.172	.992	.675	1.342	1.512
30	1.547	1.367	1.050	1.717	1.887
40	1.922	1.742	1.425	2.092	2.262
50	2.297	2.117	1.800	2.467	2.637
60	2.672	2.492	2.175	2.842	3.012
70	3.047	2.867	2.550	3.217	3.387
80	3.422	3.242	2.925	3.592	3.762
90	3.797	3.617	3.300	3.967	4.137
100	4.172	3.992	3.675	4.342	4.512

PLUG: RM252-020-311-2900
RECEPTACLE: RM242-020-581-5900
 XXXXX-XXX-XXX-XXXXXX

PLUG

RECEPTACLE

SERIES	
RM .075" Screw Machine PC Connector	RM .075" Screw Machine PC Connector
BODY	
2 2-Row	2 2-Row
BODY STYLE:	BODY STYLE:
5 Plug, right angle, with mounting ears	2 Receptacle, straight, with mounting ears
7 Plug, right angle, without mounting ears	4 Receptacle, straight, without mounting ears
BODY MATERIAL:	BODY MATERIAL:
2 Polyphenylene sulfide (PPS)	2 Polyphenylene sulfide (PPS)
SIZE	
010, 020, 030, 040, 050, 060, 070, 080, 090, 100	010, 020, 030, 040, 050, 060, 070, 080, 090, 100

CONTACTS	
TYPE CONTACTS/TERMINATIONS:	TYPE CONTACTS/TERMINATIONS:
31 Pin, right angle, dip solder, .109" x .020" dia	00 Contacts not supplied
32 Pin, right angle, dip solder, .140" x .020" dia	57 Socket, straight, crimp removable (20-22 AWG)*
33 Pin, right angle, dip solder, .172" x .020" dia	58 Socket, straight, crimp removable (24-26 AWG)*
34 Pin, right angle, dip solder, .109" x .016" dia	59 Socket, straight, crimp removable (28-30 AWG)*
35 Pin, right angle, dip solder, .140" x .016" dia	
36 Pin, right angle, dip solder, .172" x .016" dia	
37 Pin, right angle, dip solder, .250" x .020" dia	
PLATING OPTIONS:	PLATING OPTIONS:
1 Gold plated termination	0 No plating (use with Contact Option "00" only)
2 Pre-tinned termination, SnPb alloy <input checked="" type="checkbox"/>	1 Gold plated termination
3 Pre-tinned termination, SAC305 alloy	

HARDWARE	
STYLE OF HARDWARE: (See R-41 & R-42 for all options)	STYLE OF HARDWARE: (See R-41 & R-42 for all options)
0256 None	0256 None
55 Guide set	55 Guide set
57 Two guide pins	57 Two guide pins
58 Two guide sockets	58 Two guide sockets
29 Fixed jackset	29 Fixed jackset
30 Fixed jackset, reversed	30 Fixed jackset, reversed
19 Two fixed jackscrews	19 Two fixed jackscrews
20 Two fixed jacksockets	20 Two fixed jacksockets
59 Hex turning jackset, .200" knob	59 Hex turning jackset, .200" knob
60 Hex turning jackset, reversed, .200" knob	60 Hex turning jackset, reversed, .200" knob
61 Two hex turning jackscrews, .200" knob	61 Two hex turning jackscrews, .200" knob
62 Two hex turning jacksockets, .200" knob	62 Two hex turning jacksockets, .200" knob
64 Turning jackset, .490" knob	64 Turning jackset, .490" knob
65 Turning jackset, reversed, .490" knob	65 Turning jackset, reversed, .490" knob
66 Two turning jackscrews, .490" knob	66 Two turning jackscrews, .490" knob
67 Two turning jacksockets, .490" knob	67 Two turning jacksockets, .490" knob
POLARIZATION:	POLARIZATION
00 None	00 None
01 thru 68 are special identifiers, see R-38	01 thru 68 are special identifiers, see R-38
70 Same configuration as 01 without Loctite® (To be keyed by customer)	70 Same configuration as 01 without Loctite® (To be keyed by customer)

OPTIONS	
BN Bond #1-72, sm. pattern hex nuts into mtg. ears	

* Full compliment of crimp removable sockets packaged with connectors
 1. Crimp tool - AirBorn part number: CDG4601, Mil Spec number M22520/2-01
 2. Crimp positioner - AirBorn part number: CDG4602 (24-26 AWG and 28-30 AWG); CDG4603 (20-22 AWG)
 3. Crimp removal tool - AirBorn part number: CDG8161 (All AWGs)
 4. Crimp contact part number on previous page.
 = Option not RoHS compliant



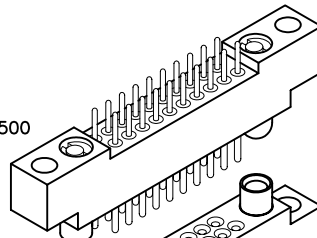
2 · ROW Cable or Board to Crimp Removable

.075"

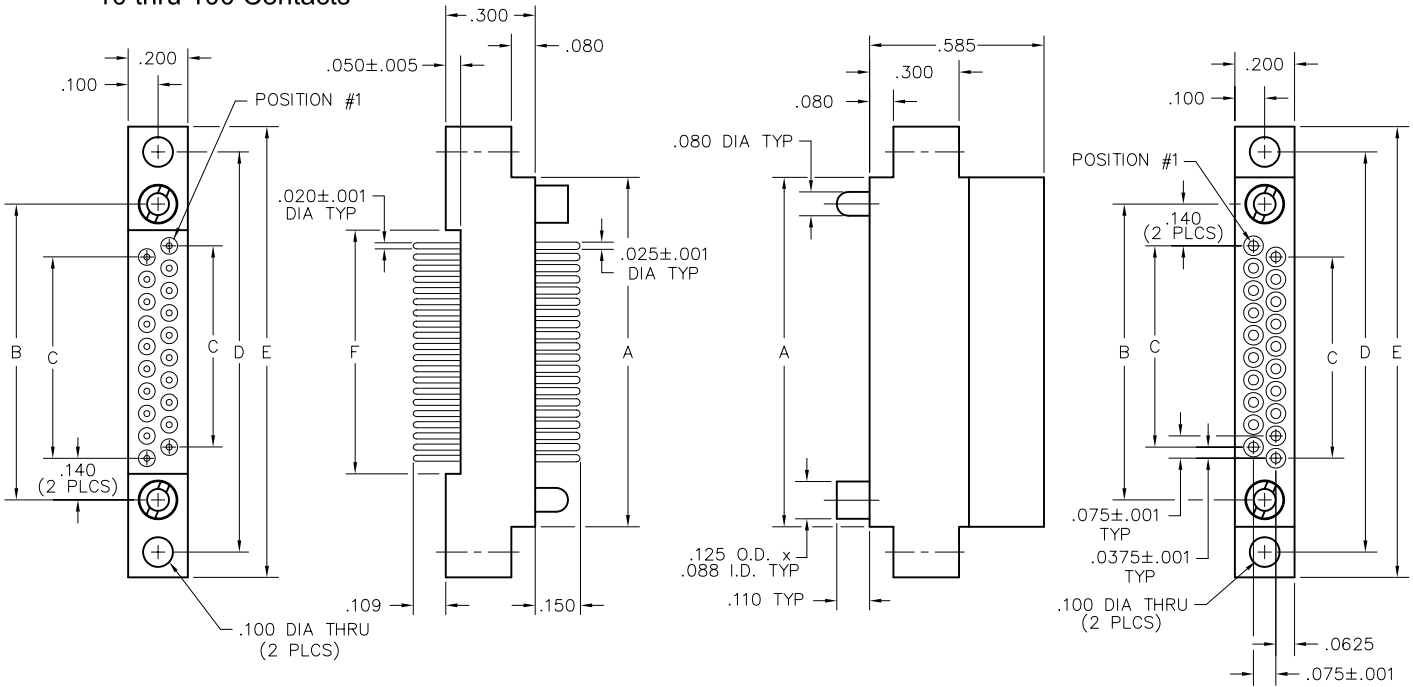
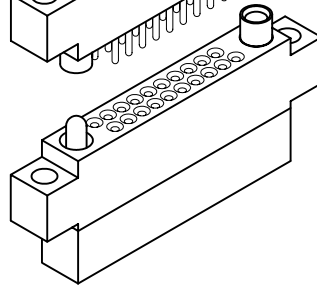
RM2

10 thru 100 Contacts

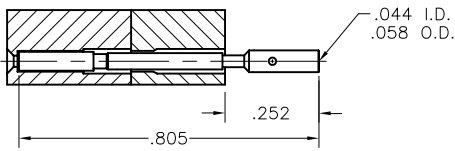
RM212-020-101-5500



RM222-020-581-5500

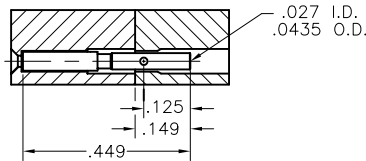


PLUG

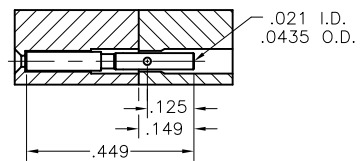


20-22 AWG

RECEPTACLE



24-26 AWG



28-30 AWG

NOTE:

When using crimp contacts with 20 gage barrel, barrel must be cut off prior to removing contact from connector body.

CRIMP REMOVABLE CONTACTS	
SIZE	PART NUMBER
20-22 AWG	RM200-000-571-0000
24-26 AWG	RM200-000-581-0000
28-30 AWG	RM200-000-591-0000

DIMENSIONS						
SIZE	A	B	C	D	E	F
10	.797	.617	.300	.967	1.137	.442
20	1.172	.992	.675	1.342	1.512	.817
30	1.547	1.367	1.050	1.717	1.887	1.192
40	1.922	1.742	1.425	2.092	2.262	1.567
50	2.297	2.117	1.800	2.467	2.637	1.942
60	2.672	2.492	2.175	2.842	3.012	2.317
70	3.047	2.867	2.550	3.217	3.387	2.692
80	3.422	3.242	2.925	3.592	3.762	3.067
90	3.797	3.617	3.300	3.967	4.137	3.442
100	4.172	3.992	3.675	4.342	4.512	3.817

PLUG: RM212-020-101-5500
RECEPTACLE: RM222-020-581-5500
 XXXXX-XXX-XXX-XXXX

PLUG

RECEPTACLE

SERIES

RM .075" Screw Machine PC Connector | RM .075" Screw Machine PC Connector

BODY

2 2-Row | 2 2-Row

BODY STYLE: 1 Plug, straight, with mounting ears 3 Plug, straight, without mounting ears	BODY STYLE: 2 Receptacle, straight, with mounting ears 4 Receptacle, straight, without mounting ears
-------------------------------------------------------------------------------------------------------	-------------------------------------------------------------------------------------------------------------------

BODY MATERIAL: 2 Polyphenylene sulfide (PPS)	BODY MATERIAL: 2 Polyphenylene sulfide (PPS)
--------------------------------------------------------	--------------------------------------------------------

SIZE

010, 020, 030, 040, 050, 060, 070, 080, 090, 100 | 010, 020, 030, 040, 050, 060, 070, 080, 090, 100

CONTACTS

TYPE CONTACTS/TERMINATIONS: 10 Pin, straight, dip solder, .109" x .020" dia 11 Pin, straight, solder cup 12 Pin, straight, dip solder, .140" x .020" dia 13 Pin, straight, dip solder, .172" x .020" dia 14 Pin, straight, dip solder, .250" x .020" dia 15 Pin, straight, flex, .093" x .017" dia	TYPE CONTACTS/TERMINATIONS: 00 Contacts not supplied 57 Socket, straight, crimp removable (20-22 AWG)* 58 Socket, straight, crimp removable (24-26 AWG)* 59 Socket, straight, crimp removable (28-30 AWG)*
-----------------------------------------------------------------------------------------------------------------------------------------------------------------------------------------------------------------------------------------------------------------------------------------------------------------------------	-------------------------------------------------------------------------------------------------------------------------------------------------------------------------------------------------------------------------------

PLATING OPTIONS: 1 Gold plated termination 2 Pre-tinned termination, SnPb alloy (dip solder options only) <input checked="" type="checkbox"/> 3 Pre-tinned termination, SAC305 alloy (dip solder options only)	PLATING OPTIONS: 0 No plating (use with Contact Option "00" only) 1 Gold plated termination
--------------------------------------------------------------------------------------------------------------------------------------------------------------------------------------------------------------------------------	----------------------------------------------------------------------------------------------------------

HARDWARE

STYLE OF HARDWARE: (See R-41 & R-42 for all options) 0256 None 55 Guide set 57 Two guide pins 58 Two guide sockets 29 Fixed jackset 30 Fixed jackset, reversed 19 Two fixed jackscrews 20 Two fixed jacksockets 59 Hex turning jackset, .200" 60 Hex turning jackset, reversed, .200" 61 Two hex turning jackscrews, .200" 62 Two hex turning jacksockets, .200" 64 Turning jackset, .490" 65 Turning jackset, reversed, .490" 66 Two turning jackscrews, .490" 67 Two turning jacksockets, .490"	STYLE OF HARDWARE: (See R-41 & R-42 for all options) 0256 None 55 Guide set 57 Two guide pins 58 Two guide sockets 29 Fixed jackset 30 Fixed jackset, reversed 19 Two fixed jackscrews 20 Two fixed jacksockets 59 Hex turning jackset, .200" 60 Hex turning jackset, reversed, .200" 61 Two hex turning jackscrews, .200" 62 Two hex turning jacksockets, .200" 64 Turning jackset, .490" 65 Turning jackset, reversed, .490" 66 Two turning jackscrews, .490" 67 Two turning jacksockets, .490"
-------------------------------------------------------------------------------------------------------------------------------------------------------------------------------------------------------------------------------------------------------------------------------------------------------------------------------------------------------------------------------------------------------------------------------------------------------------------------------------------------------------------------------------------------------------	-------------------------------------------------------------------------------------------------------------------------------------------------------------------------------------------------------------------------------------------------------------------------------------------------------------------------------------------------------------------------------------------------------------------------------------------------------------------------------------------------------------------------------------------------------------

POLARIZATION: 00 None 01 thru 68 are special identifiers, see R-38 70 Same configuration as 01 without Loctite® (To be keyed by customer)	POLARIZATION 00 None 01 thru 68 are special identifiers, see R-38 70 Same configuration as 01 without Loctite® (To be keyed by customer)
--------------------------------------------------------------------------------------------------------------------------------------------------------------	-------------------------------------------------------------------------------------------------------------------------------------------------------------

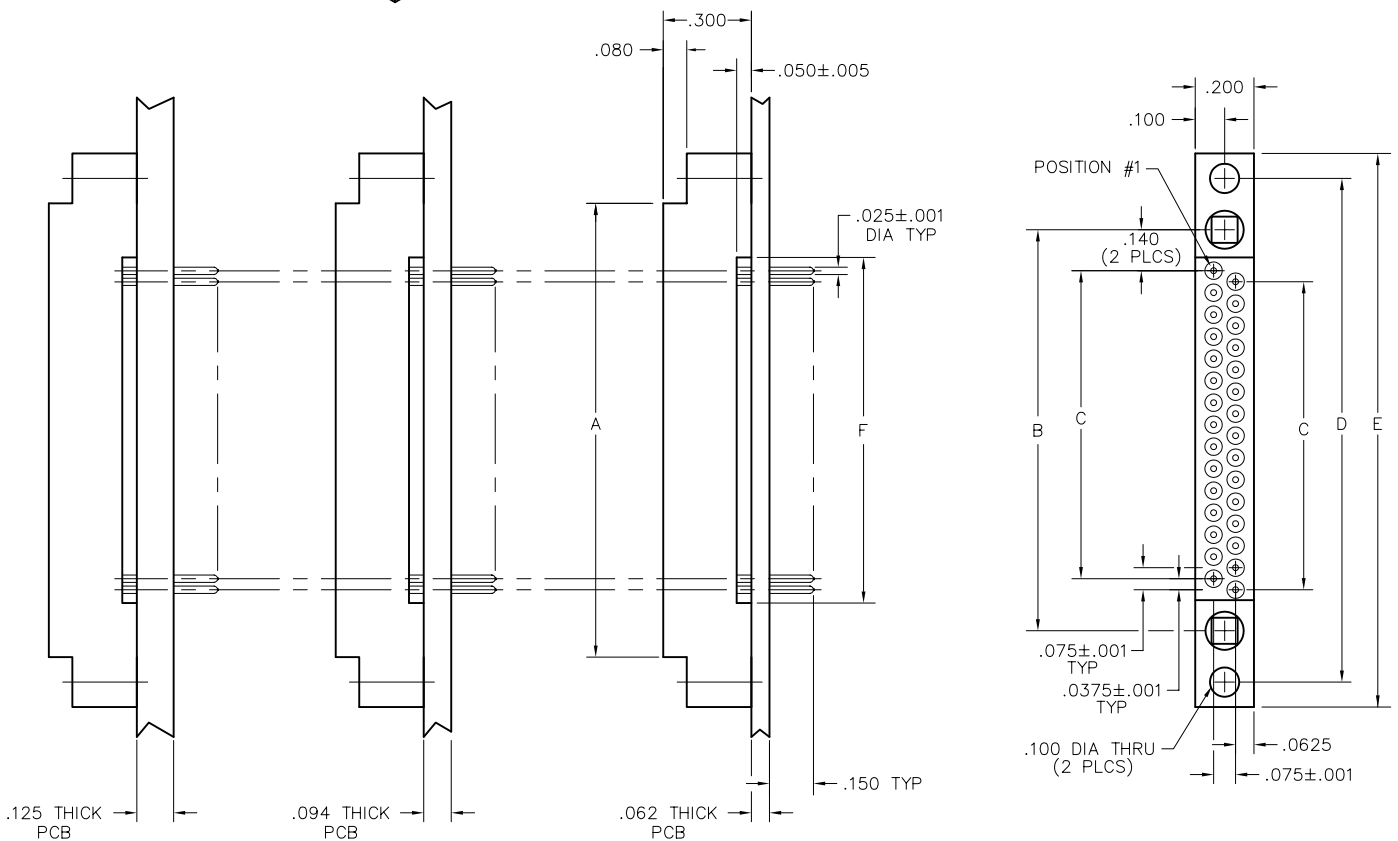
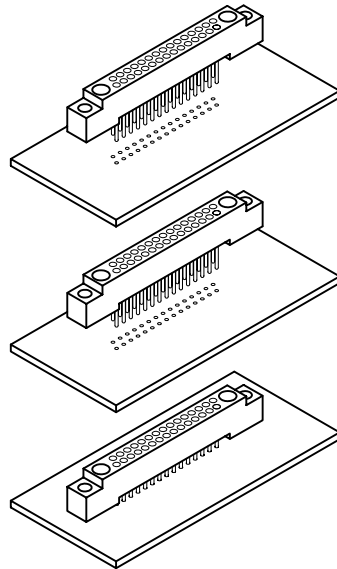
* Full compliment of crimp removable sockets packaged with connectors
 1. Crimp tool - AirBorn part number: CDG4601, Mil Spec number M22520/2-01
 2. Crimp positioner - AirBorn part number: CDG4602 (24-26 AWG and 28-30 AWG)
 CDG4603 (20-22 AWG)
 3. Crimp removal tool - AirBorn part number: CDG8161 (All AWGs)
 4. Crimp contact part number on previous page.
 = Option not RoHS compliant

2 · ROW PC Board Stackable or Connector Saver

.075"

RM2

10 thru 100 Contacts



NOTE:
Stacking connectors cannot have mating hardware.
(-0256 indicates no hardware)

PC BOARD THICKNESS	TERMINATION LENGTH	PART NUMBER EXAMPLES
.062	.212	RM222-030-531-0256
.094	.244	RM222-030-541-0256
.125	.275	RM222-030-551-0256
CONNECTOR SAVER	.150	RM222-030-291-0256

DIMENSIONS						
SIZE	A	B	C	D	E	F
10	.797	.617	.300	.967	1.137	.442
20	1.172	.992	.675	1.342	1.512	.817
30	1.547	1.367	1.050	1.717	1.887	1.192
40	1.922	1.742	1.425	2.092	2.262	1.567
50	2.297	2.117	1.800	2.467	2.637	1.942
60	2.672	2.492	2.175	2.842	3.012	2.317
70	3.047	2.867	2.550	3.217	3.387	2.692
80	3.422	3.242	2.925	3.592	3.762	3.067
90	3.797	3.617	3.300	3.967	4.137	3.442
100	4.172	3.992	3.675	4.342	4.512	3.817

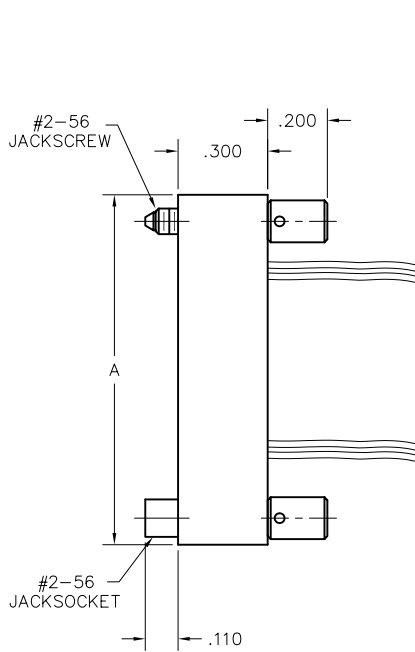
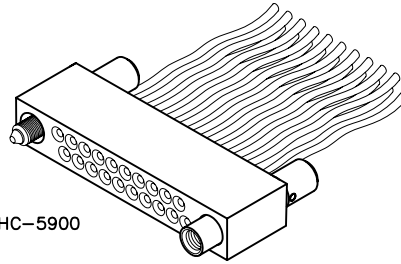
2 • ROW Crimped Wire I/O Receptacle

.075"

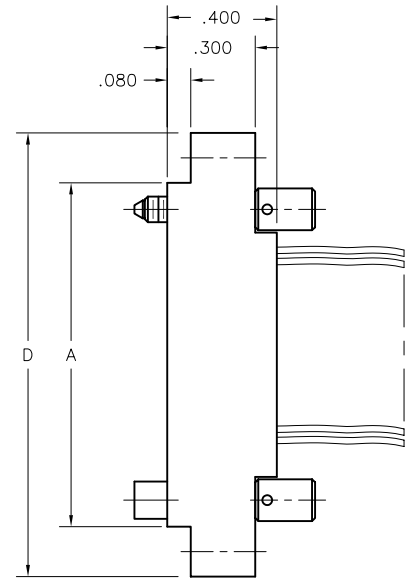
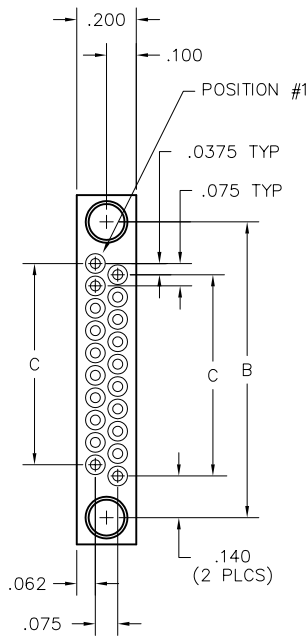
RA2

10 thru 100 Contacts

RA2H2-020-2HC-5900



RECEPTACLE WITHOUT
MOUNTING EARS OR
POTTING WELL



RECEPTACLE WITH
MOUNTING EARS AND
POTTING WELL

DIMENSIONS				
SIZE	A	B	C	D
10	.797	.617	.300	1.137
20	1.172	.992	.675	1.512
30	1.547	1.367	1.050	1.887
40	1.922	1.742	1.425	2.262
50	2.297	2.117	1.800	2.637
60	2.672	2.492	2.175	3.012
70	3.047	2.867	2.550	3.387
80	3.422	3.242	2.925	3.762
90	3.797	3.617	3.300	4.137
100	4.172	3.992	3.675	4.512

RA2 RECEPTACLE CONNECTORS MATE WITH:		
MATE	DESCRIPTION	PAGE
RM212	2 ROW STRAIGHT PLUG WITH EARS	R-11
RM232	2 ROW STRAIGHT PLUG WITHOUT EARS	R-11
RM252	2 ROW RIGHT ANGLE PLUG WITH EARS	R-13
RM272	2 ROW RIGHT ANGLE PLUG WITHOUT EARS	R-13

REPLACEMENT CONTACTS:

RA000-001-200-0000
RA000-001-400-0000

SEE PAGE R-33.4 FOR CRIMP INSTRUCTIONS, CONTACT INSERTION AND CONTACT REMOVAL TOOLS.

RECEPTACLE: RA2H2-020-2HC-5900
XXXXX-XXX-XXX-XXXX

SERIES	
RA .075" Screw Machine PC Connector	
BODY	
2 2-Row	
BODY STYLE:	
E	Receptacle, straight, w/ potting well, w/ mounting ears
F	Receptacle, straight, w/ potting well, w/out mounting ears
G	Receptacle, straight, w/out potting well, w/ mounting ears
H	Receptacle, straight, w/out potting well, w/out mounting ears
BODY MATERIAL:	
2	Polyphenylene sulfide (PPS)
SIZE	
010, 020, 030, 040, 050, 060, 070, 080, 090, 100	
CONTACTS	
TYPE CONTACTS/TERMINATIONS:	
2	Socket, crimp, 28-30 awg. contacts
4	Socket, crimp, 22-26 awg. contacts
WIRING OPTIONS:	
XX	Crimped terminations, see wiring codes at right
HARDWARE	
GUIDE HARDWARE	
0256	None
5500	Guide set
5501-5568	Guide set, polarized (see page R-38)
5570	Guide set, polarized, same as 5501 without Loctite® (to be keyed by customer)
5700	Two guide pins
5800	Two guide sockets
JACKING HARDWARE	
2900	Fixed jackset
3000	Fixed jackset, reversed
1900	Two fixed jackscrews
2000	Two fixed jacksockets
5900	Hex turning jackset, .200" knob
6000	Hex turning jackset, reversed, .200" knob
6100	Two hex turning jackscrews, .200" knob
6200	Two hex turning jacksockets, .200" knob
6400	Turning jackset, .490" knob
6500	Turning jackset, reversed, .490" knob
6600	Two turning jackscrews, .490" knob
6700	Two turning jacksockets, .490" knob

= Option not RoHS compliant

If potting well is used with a pre-wired connector, it will be potted and not repairable.
If potting well is not used with a pre-wired connector, it will not be potted.
Contacts that are not potted in place can be removed and replaced only one time.
See page R-33.4 for crimp instructions, contact insertion and contact removal tools.

WIRE CODES

TYPE and COLOR			LENGTH	
Code	Size	Color	Code	Length (+1"/-0")
Mil-W-16878/4				
A	22 awg	Ten repeating	A	6"
B	22 awg	White	B	12"
C	24 awg	Ten repeating	C	18"
D	24 awg	White	D	24"
E	26 awg	Ten repeating	E	30"
F	26 awg	White	F	36"
G	28 awg	Ten repeating	G	42"
H	28 awg	White	H	48"
J	30 awg	Ten repeating	J	54"
K	30 awg	White	K	60"
			L	66"
			M	72"
Mil-W-22759/33				
L	22 awg	Ten repeating	N	84"
M	22 awg	White	P	96"
N	24 awg	Ten repeating	R	108"
P	24 awg	White	S	120"
R	26 awg	Ten repeating		
S	26 awg	White		
T	28 awg	Ten repeating		
U	28 awg	White		
V	30 awg	Ten repeating		
W	30 awg	White		

USING WIRE CODES:

RA2H2-020-2HC-5900

Type and Color  Length

**Color sequence for
Ten repeating wire colors:**

(Beginning in position #1)

Black
Brown
Red
Orange
Yellow
Green
Blue
Violet
Grey
White

Repeat this sequence until
connector is fully loaded.

2 · ROW

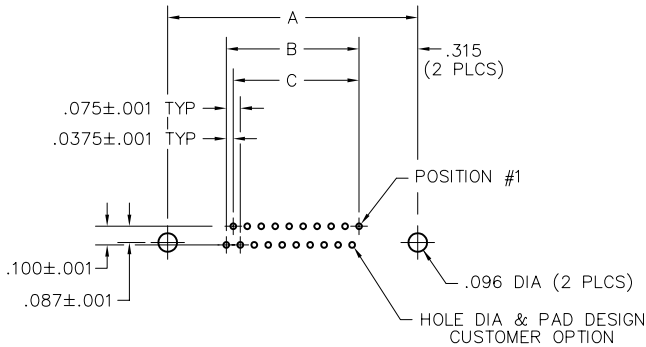
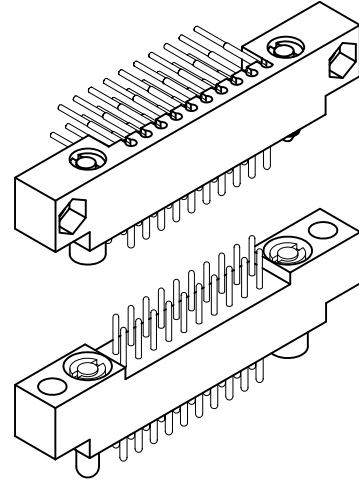
Right Angle PTH Plug Straight PTH Plug

.075"

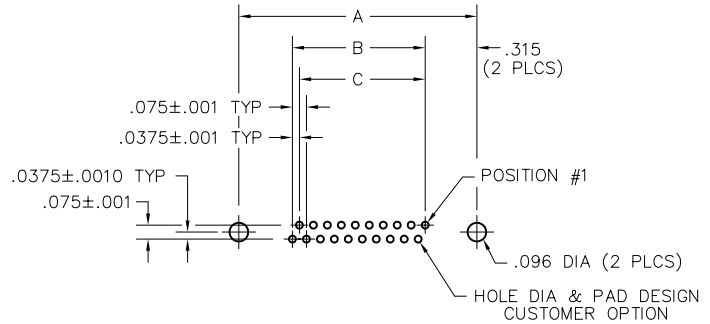
RM2

10 thru 100 Contacts
Recommended
Board Layout

DIMENSIONS			
SIZE	A	B	C
10	.967	.337	.300
20	1.342	.712	.675
30	1.717	1.087	1.050
40	2.092	1.462	1.425
50	2.467	1.837	1.800
60	2.842	2.212	2.175
70	3.217	2.587	2.550
80	3.592	2.962	2.925
90	3.967	3.337	3.300
100	4.342	3.712	3.675

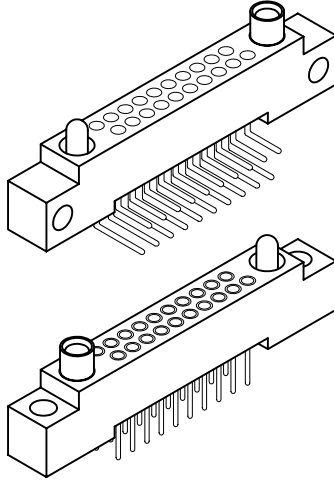


RIGHT ANGLE PTH PLUG
PC BOARD VIEWED FROM COMPONENT SIDE



STRAIGHT PTH PLUG
PC BOARD VIEWED FROM COMPONENT SIDE

SIZE	CONTACT ID	SIZE	CONTACT ID
10		60	
20		70	
30		80	
40		90	
50		100	



DIMENSIONS			
SIZE	A	B	C
10	.967	.337	.300
20	1.342	.712	.675
30	1.717	1.087	1.050
40	2.092	1.462	1.425
50	2.467	1.837	1.800
60	2.842	2.212	2.175
70	3.217	2.587	2.550
80	3.592	2.962	2.925
90	3.967	3.337	3.300
100	4.342	3.712	3.675

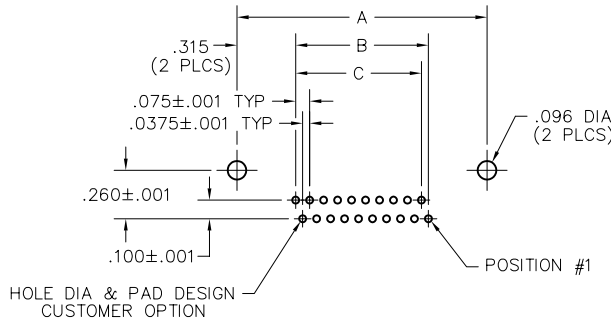
2 • ROW

Right Angle PTH Rcpt Straight PTH Rcpt

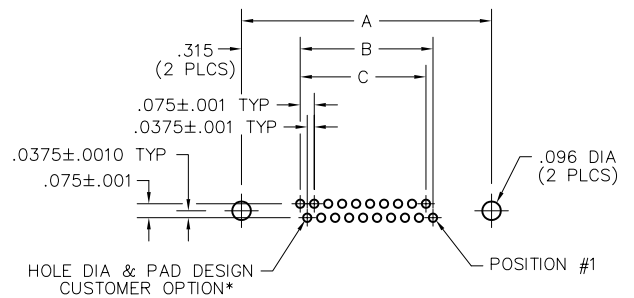
.075"

RM2

10 thru 100 Contacts
Recommended
Board Layout



RIGHT ANGLE PTH RECEPTACLE
PC BOARD VIEWED FROM COMPONENT SIDE



STRAIGHT PTH RECEPTACLE
PC BOARD VIEWED FROM COMPONENT SIDE

*COMPLIANT TERMINATION REQUIREMENTS:
Board Material: FR-4 w/ 1.0 oz. copper
Minimum nominal board thickness: .062"
Drilled hole: .0319"-.0339"
Copper plating thickness: .0010" minimum
Tin-lead plating thickness: .0006" maximum
Electroplated tin-lead composition: 63/37 (Sn/Pb)
Finished hole diameter: .028"±.002"

SIZE	CONTACT ID	SIZE	CONTACT ID
10		60	
20		70	
30		80	
40		90	
50		100	

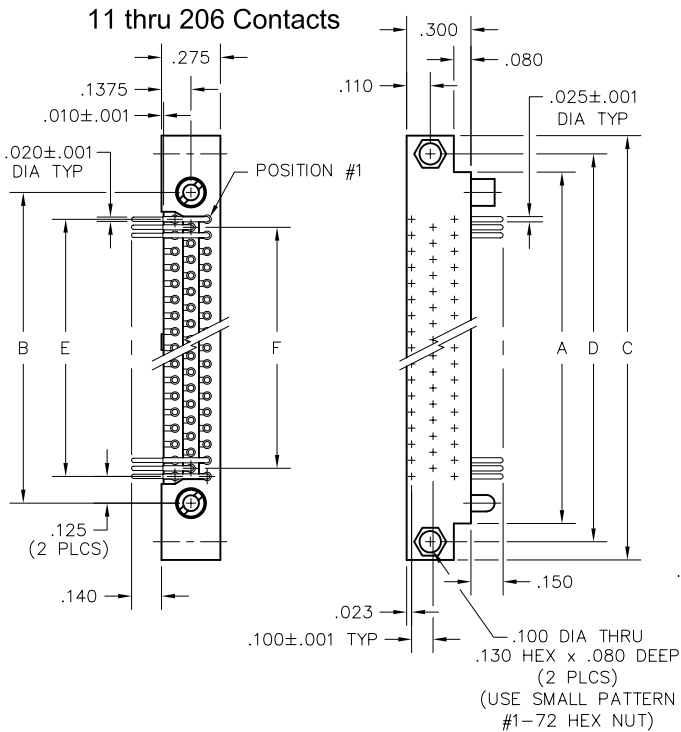
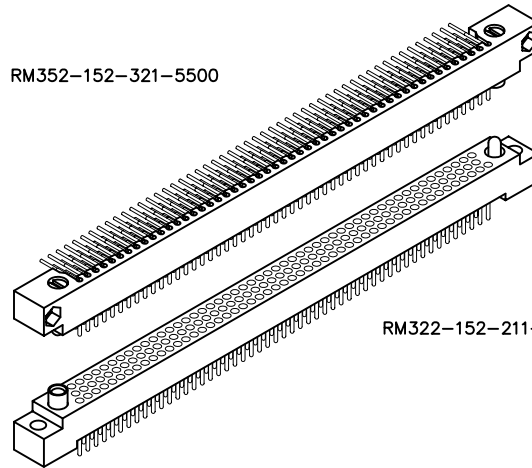
3 • ROW Daughterboard to Motherboard or Chassis

.075"

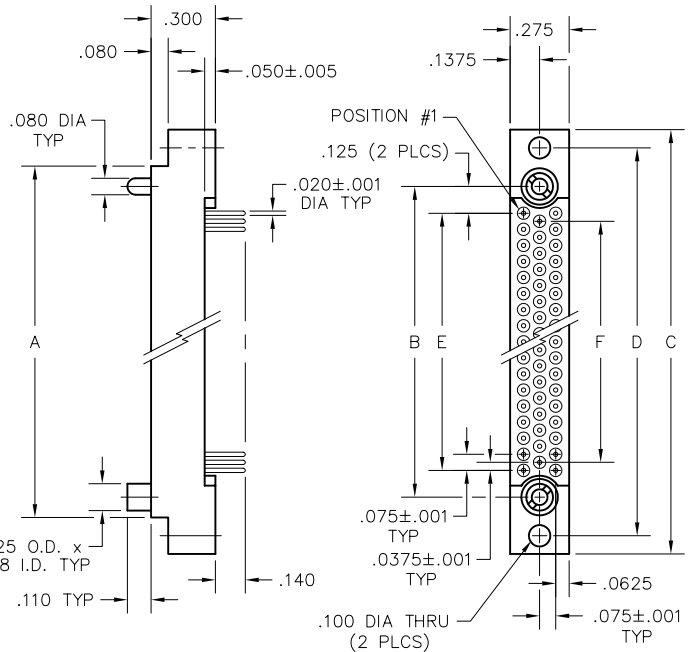
RM3

RM352-152-321-5500

RM322-152-211-5500



PLUG



RECEPTACLE

DIMENSIONS						
SIZE	A	B	C	D	E	F
11	.665	.475	1.005	.835	.225	.150
23	.965	.775	1.305	1.135	.525	.450
35	1.265	1.075	1.605	1.435	.825	.750
47	1.565	1.375	1.905	1.735	1.125	1.050
59	1.865	1.675	2.205	2.035	1.425	1.350
71	2.165	1.975	2.505	2.335	1.725	1.650
80	2.390	2.200	2.730	2.560	1.950	1.875
92	2.690	2.500	3.030	2.860	2.250	2.175
104	2.990	2.800	3.330	3.160	2.550	2.475
122	3.440	3.250	3.780	3.610	3.000	2.925
140	3.890	3.700	4.230	4.060	3.450	3.375
152	4.190	4.000	4.530	4.360	3.750	3.675
182	4.940	4.750	5.280	5.110	4.500	4.425
206	5.540	5.350	5.880	5.710	5.100	5.025

PLUG: RM352-152-321-5500
RECEPTACLE: RM322-152-211-5500
 XXXXX-XXX-XXX-XXXXXX

PLUG

RECEPTACLE

SERIES	
RM .075" Screw Machine PC Connector	RM .075" Screw Machine PC Connector

BODY	
3 3-Row	3 3-Row
BODY STYLE:	BODY STYLE:
5 Plug, right angle, with mounting ears	2 Receptacle, straight, with mounting ears
7 Plug, right angle, without mounting ears	4 Receptacle, straight, without mounting ears
BODY MATERIAL:	BODY MATERIAL:
2 Polyphenylene sulfide (PPS)	2 Polyphenylene sulfide (PPS)

SIZE	
011, 023, 035, 047, 059, 071, 080, 092, 104, 122, 140, 152, 182, 206	011, 023, 035, 047, 059, 071, 080, 092, 104, 122, 140, 152, 182, 206

CONTACTS	
TYPE CONTACTS/TERMINATIONS:	TYPE CONTACTS/TERMINATIONS:
31 Pin, right angle, dip solder, .109" x .020" dia	20 Socket, straight, dip solder, .109" x .020" dia
32 Pin, right angle, dip solder, .140" x .020" dia	21 Socket, straight, dip solder, .140" x .020" dia
33 Pin, right angle, dip solder, .172" x .020" dia	22 Socket, straight, dip solder, .172" x .020" dia
34 Pin, right angle, dip solder, .109" x .016" dia	23 Socket, straight, dip solder, .250" x .020" dia
35 Pin, right angle, dip solder, .140" x .016" dia	24 Socket, straight, solder cup
36 Pin, right angle, dip solder, .172" x .016" dia	25 Socket, straight, flex circuit, 093" x .017" dia
37 Pin, right angle, dip solder, .250" x .020" dia	26 Socket, straight, wire wrap®, .500" x .018 sq
	27 Socket, straight, wire wrap®, .375" x .018 sq
	28 Socket, straight, wire wrap®, .625" x .018 sq
	29 Socket, connector saver, .150" x .025" dia
	50 Socket, straight, dip solder, .140" x .016" dia
	51 Socket, straight, dip solder, .172" x .016" dia
	53 Socket, straight, stacking, .212" x .025" dia
	54 Socket, straight, stacking, .244" x .025" dia
	55 Socket, straight, stacking, .275" x .025" dia
	64 Socket, straight, press-fit, .203" (Board .093"-1.125" thk)
	65 Socket, straight, press-fit, .323" (Board .156"-1.200" thk)
	66 Socket, straight, press-fit, .403" (Board .250"+ thk)

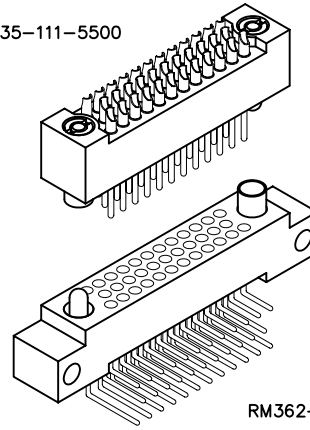
PLATING OPTIONS:	PLATING OPTIONS:
1 Gold plated termination	1 Gold plated termination
2 Pre-tinned termination, SnPb alloy <input checked="" type="checkbox"/>	2 Pre-tinned termination, SnPb alloy (dip solder options only) <input checked="" type="checkbox"/>
3 Pre-tinned termination, SAC305 alloy	3 Pre-tinned termination, SAC305 alloy (dip solder options only)

HARDWARE	
STYLE OF HARDWARE: (See R-41 & R-42 for all options)	STYLE OF HARDWARE: (See R-41 & R-42 for all options)
0256 None	0256 None
55 Guide set	55 Guide set
57 Two guide pins	57 Two guide pins
58 Two guide sockets	58 Two guide sockets
29 Fixed jackset	29 Fixed jackset
30 Fixed jackset, reversed	30 Fixed jackset, reversed
19 Two fixed jackscrews	19 Two fixed jackscrews
20 Two fixed jacksockets	20 Two fixed jacksockets
59 Hex turning jackset, .200"	59 Hex turning jackset, .200"
60 Hex turning jackset, reversed, .200"	60 Hex turning jackset, reversed, .200"
61 Two hex turning jackscrews, .200"	61 Two hex turning jackscrews, .200"
62 Two hex turning jacksockets, .200"	62 Two hex turning jacksockets, .200"
64 Turning jackset, .490"	64 Turning jackset, .490"
65 Turning jackset, reversed, .490"	65 Turning jackset, reversed, .490"
66 Two turning jackscrews, .490"	66 Two turning jackscrews, .490"
67 Two turning jacksockets, .490"	67 Two turning jacksockets, .490"
POLARIZATION:	POLARIZATION
00 None	00 None
01 thru 68 are special identifiers, see R-38	01 thru 68 are special identifiers, see R-38
70 Same configuration as 01 without Loctite® (To be keyed by customer)	70 Same configuration as 01 without Loctite® (To be keyed by customer)

OPTIONS	
BN Bond #1-72, sm. pattern hex nuts into mtg. ears	

= Option not RoHS compliant

RM332-035-111-5500

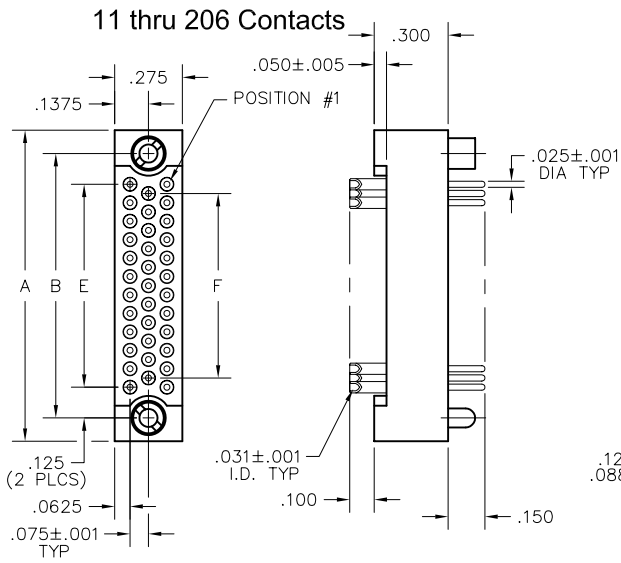


RM362-035-441-5500-076

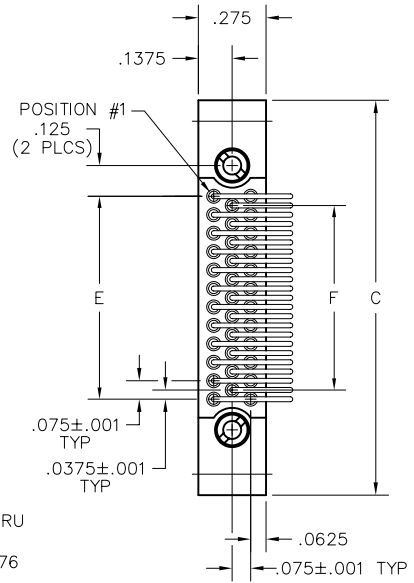
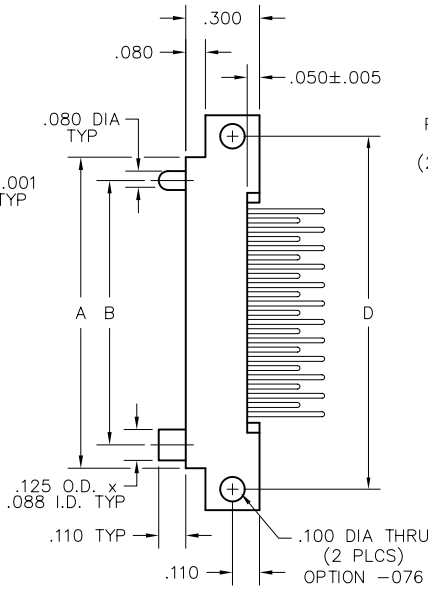
3 • ROW Motherboard or Chassis to Daughterboard

.075"

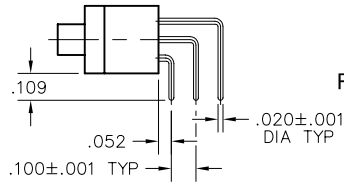
RM3



PLUG



RECEPTACLE



DIMENSIONS						
SIZE	A	B	C	D	E	F
11	.665	.475	1.005	.835	.225	.150
23	.965	.775	1.305	1.135	.525	.450
35	1.265	1.075	1.605	1.435	.825	.750
47	1.565	1.375	1.905	1.735	1.125	1.050
59	1.865	1.675	2.205	2.035	1.425	1.350
71	2.165	1.975	2.505	2.335	1.725	1.650
80	2.390	2.200	2.730	2.560	1.950	1.875
92	2.690	2.500	3.030	2.860	2.250	2.175
104	2.990	2.800	3.330	3.160	2.550	2.475
122	3.440	3.250	3.780	3.610	3.000	2.925
140	3.890	3.700	4.230	4.060	3.450	3.375
152	4.190	4.000	4.530	4.360	3.750	3.675
182	4.940	4.750	5.280	5.110	4.500	4.425
206	5.540	5.350	5.880	5.710	5.100	5.025

PLUG: RM332-035- 111-5500
RECEPTACLE: RM362-035- 441-5500-076
 XXXXX-XXX-XXX-XXXX-XXX

PLUG

RECEPTACLE

SERIES

RM .075" Screw Machine PC Connector | RM .075" Screw Machine PC Connector

BODY

3 3-Row | 3 3-Row

BODY STYLE:

1 Plug, straight, with mounting ears	6 Receptacle, right angle, with mounting ears
3 Plug, straight, without mounting ears	8 Receptacle, right angle, without mounting ears

BODY MATERIAL:

2 Polyphenylene sulfide (PPS)	2 Polyphenylene sulfide (PPS)
-------------------------------	-------------------------------

SIZE

011, 023, 035, 047, 059, 071, 080, 092, 104, 122, 140, 152, 182, 206	011, 023, 035, 047, 059, 071, 080, 092, 104, 122, 140, 152, 182, 206
-------------------------------------------------------------------------	-------------------------------------------------------------------------

CONTACTS

TYPE CONTACTS/TERMINATIONS:

10 Pin, straight, dip solder, .109" x .020" dia	44 Socket, right angle, dip solder, .109" x .020" dia
11 Pin, straight, solder cup	45 Socket, right angle, dip solder, .140" x .020" dia
12 Pin, straight, dip solder, .140" x .020" dia	46 Socket, right angle, dip solder, .172" x .020" dia
13 Pin, straight, dip solder, .172" x .020" dia	47 Socket, right angle, dip solder, .250" x .020" dia
14 Pin, straight, dip solder, .250" x .020" dia	
15 Pin, straight, flex, .093" x .017 dia	

PLATING OPTIONS:

1 Gold plated termination	1 Gold plated termination
2 Pre-finned termination, SnPb alloy (dip solder options only) <input checked="" type="checkbox"/>	2 Pre-finned termination, SnPb alloy <input checked="" type="checkbox"/>
3 Pre-tinned termination, SAC305 alloy (dip solder options only)	3 Pre-tinned termination, SAC305 alloy

HARDWARE

STYLE OF HARDWARE:

(See R-41 & R-42 for all options)

0256 None	0256 None
55 Guide set	55 Guide set
57 Two guide pins	57 Two guide pins
58 Two guide sockets	58 Two guide sockets
29 Fixed jackset	29 Fixed jackset
30 Fixed jackset, reversed	30 Fixed jackset, reversed
19 Two fixed jackscrews	19 Two fixed jackscrews
20 Two fixed jacksockets	20 Two fixed jacksockets
59 Hex turning jackset, .200"	59 Hex turning jackset, .200"
60 Hex turning jackset, reversed, .200"	60 Hex turning jackset, reversed, .200"
61 Two hex turning jackscrews, .200"	61 Two hex turning jackscrews, .200"
62 Two hex turning jacksockets, .200"	62 Two hex turning jacksockets, .200"
64 Turning jackset, .490"	64 Turning jackset, .490"
65 Turning jackset, reversed, .490"	65 Turning jackset, reversed, .490"
66 Two turning jackscrews, .490"	66 Two turning jackscrews, .490"
67 Two turning jacksockets, .490"	67 Two turning jacksockets, .490"

POLARIZATION:

00 None	00 None
01 thru 68 are special identifiers, see R-38	01 thru 68 are special identifiers, see R-38
70 Same configuration as 01 without Loctite® (To be keyed by customer)	70 Same configuration as 01 without Loctite® (To be keyed by customer)

OPTIONS

| 076 PWB mounting holes, .100" dia (cross drilled)

= Option not RoHS compliant

Ask About AirBorn's Accelerated Delivery Service



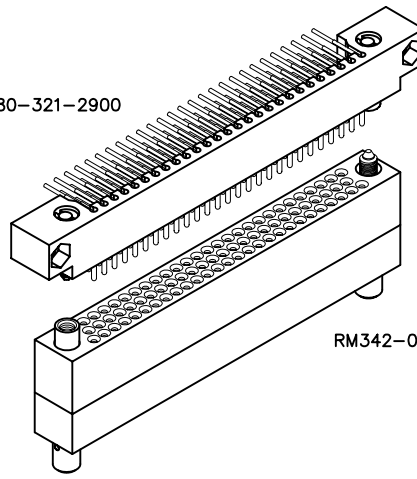
3 • ROW Board to Crimp Removable

.075"

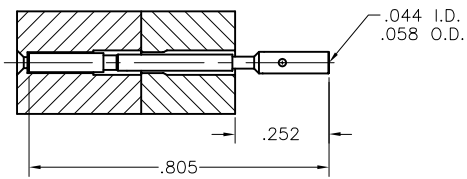
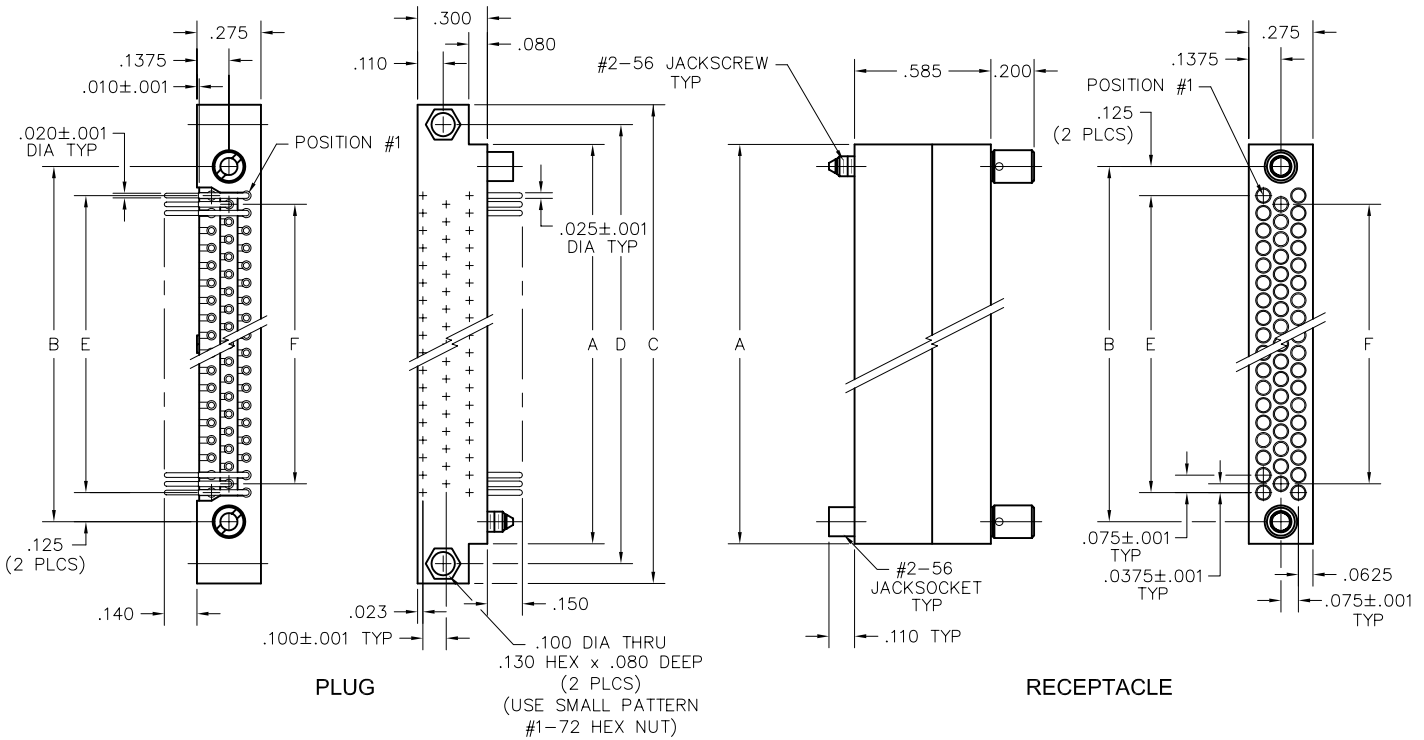
RM3

11 thru 80 Contacts

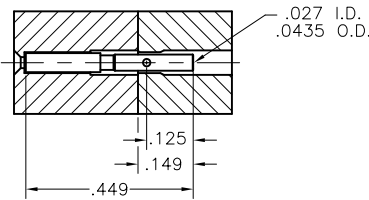
RM352-080-321-2900



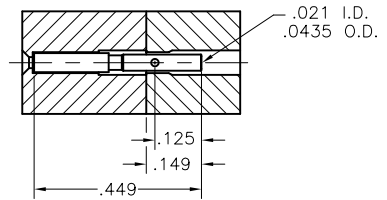
RM342-080-581-5900



20-22 AWG



24-26 AWG



28-30 AWG

NOTE:

When using crimp contacts with 20 gage barrel, barrel must be cut off prior to removing contact from connector body.

CRIMP REMOVABLE CONTACTS	
SIZE	PART NUMBER
20-22 AWG	RM300-000-571-0000
24-26 AWG	RM300-000-581-0000
28-30 AWG	RM300-000-591-0000

SIZE	DIMENSIONS					
	A	B	C	D	E	F
11	.665	.475	1.005	.835	.225	.150
23	.965	.775	1.305	1.135	.525	.450
35	1.265	1.075	1.605	1.435	.825	.750
47	1.565	1.375	1.905	1.735	1.125	1.050
59	1.865	1.675	2.205	2.035	1.425	1.350
71	2.165	1.975	2.505	2.335	1.725	1.650
80	2.390	2.200	2.730	2.560	1.950	1.875

PLUG: RM352-080-321-2900
RECEPTACLE: RM342-080-581-5900
 XXXXX-XXX-XXX-XXXXXX

PLUG

RECEPTACLE

SERIES

RM .075" Screw Machine PC Connector | RM .075" Screw Machine PC Connector

BODY

3	3-Row	3	3-Row
5	BODY STYLE: Plug, right angle, with mounting ears	2	BODY STYLE: Receptacle, straight, with mounting ears
7	Plug, right angle, without mounting ears	4	Receptacle, straight, without mounting ears
2	BODY MATERIAL: Polyphenylene sulfide (PPS)	2	BODY MATERIAL: Polyphenylene sulfide (PPS)

SIZE

011, 023, 035, 047, 059, 071, 080 | 011, 023, 035, 047, 059, 071, 080

CONTACTS

TYPE CONTACTS/TERMINATIONS:		TYPE CONTACTS/TERMINATIONS:	
31	Pin, right angle, dip solder, .109" x .020" dia	00	Contacts not supplied
32	Pin, right angle, dip solder, .140" x .020" dia	57	Socket, straight, crimp removable (20-22 AWG)*
33	Pin, right angle, dip solder, .172" x .020" dia	58	Socket, straight, crimp removable (24-26 AWG)*
34	Pin, right angle, dip solder, .109" x .016" dia	59	Socket, straight, crimp removable (28-30 AWG)*
35	Pin, right angle, dip solder, .140" x .016" dia		
36	Pin, right angle, dip solder, .172" x .016" dia		
PLATING OPTIONS:		PLATING OPTIONS:	
1	Gold plated termination	0	No plating (use with Contact Option "00" only)
2	Pre-tinned termination, SnPb alloy <input checked="" type="checkbox"/>	1	Gold plated termination
3	Pre-tinned termination, SAC305 alloy		

HARDWARE

STYLE OF HARDWARE: (See R-41 & R-42 for all options)		STYLE OF HARDWARE: (See R-41 & R-42 for all options)	
0256	None	0256	None
55	Guide set	55	Guide set
57	Two guide pins	57	Two guide pins
58	Two guide sockets	58	Two guide sockets
29	Fixed jackset	29	Fixed jackset
30	Fixed jackset, reversed	30	Fixed jackset, reversed
19	Two fixed jackscrews	19	Two fixed jackscrews
20	Two fixed jackscrews	20	Two fixed jackscrews
59	Hex turning jackset, .200" knob	59	Hex turning jackset, .200" knob
60	Hex turning jackset, reversed, .200" knob	60	Hex turning jackset, reversed, .200" knob
61	Two hex turning jackscrews, .200" knob	61	Two hex turning jackscrews, .200" knob
62	Two hex turning jackscrews, .200" knob	62	Two hex turning jackscrews, .200" knob
64	Turning jackset, .490" knob	64	Turning jackset, .490" knob
65	Turning jackset, reversed, .490" knob	65	Turning jackset, reversed, .490" knob
66	Two turning jackscrews, .490" knob	66	Two turning jackscrews, .490" knob
67	Two turning jackscrews, .490" knob	67	Two turning jackscrews, .490" knob
POLARIZATION:		POLARIZATION	
00	None	00	None
01	thru 68 are special identifiers, see R-38	01	thru 68 are special identifiers, see R-38
70	Same configuration as 01 without Loctite® (To be keyed by customer)	70	Same configuration as 01 without Loctite® (To be keyed by customer)

OPTIONS

BN Bond #1-72, sm. pattern hex nuts into mtg. ears

- * Full compliment of crimp removable sockets packaged with connectors
 - 1. Crimp tool - AirBorn part number: CDG4601, Mil Spec number M22520/2-01
 - 2. Crimp positioner - AirBorn part number: CDG4602 (24-26 AWG and 28-30 AWG)
CDG4603 (20-22 AWG)
 - 3. Crimp removal tool - AirBorn part number: CDG8161 (All AWGs)
 - 4. Crimp contact part number on previous page.
- = Option not RoHS compliant

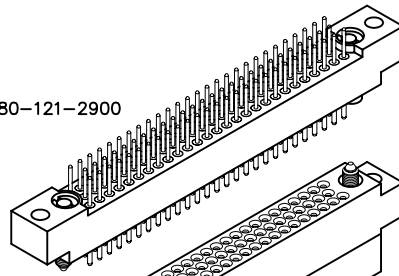
3 • ROW Cable or Board to Crimp Removable

.075"

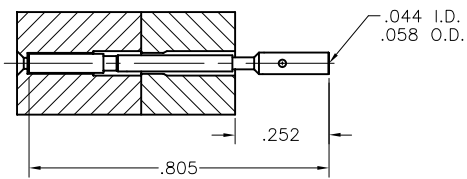
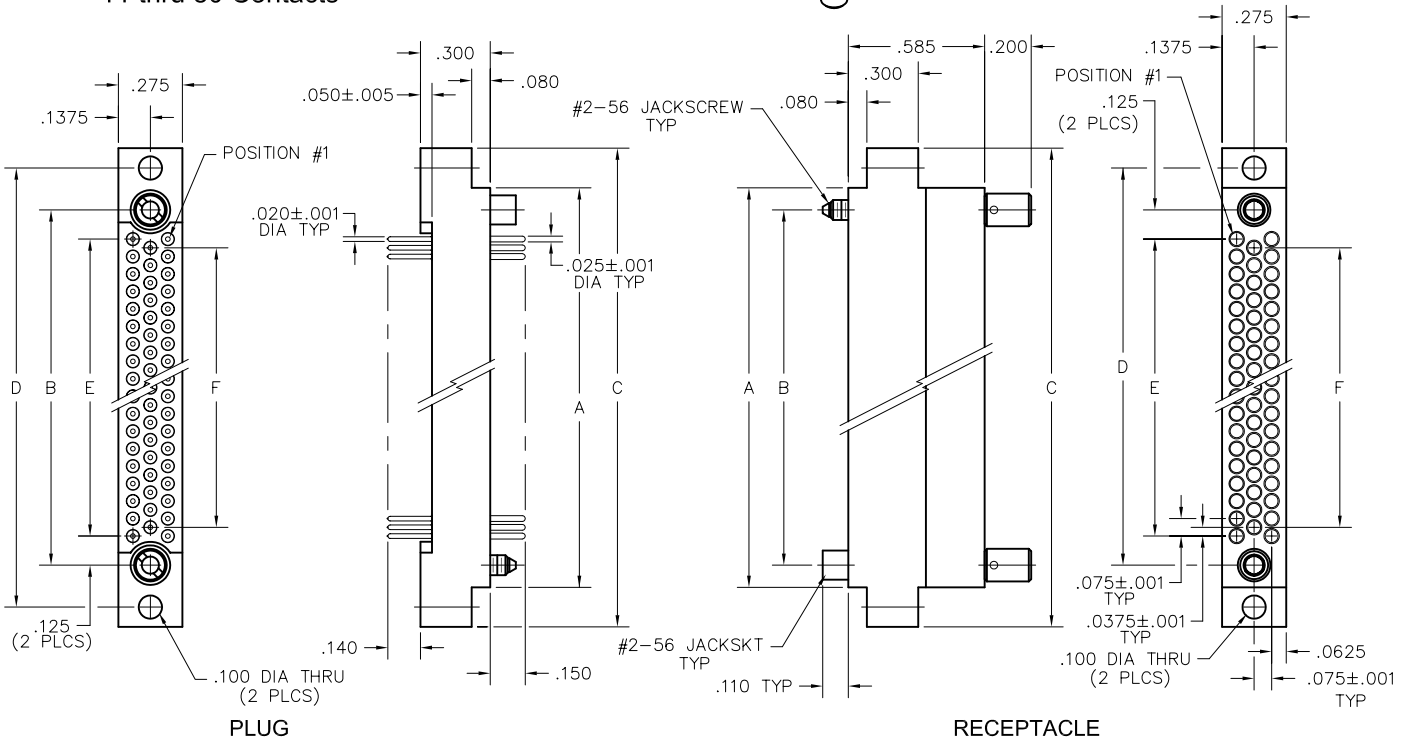
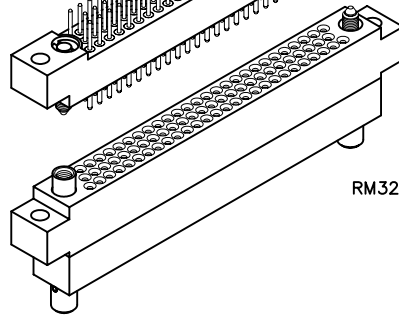
RM3

11 thru 80 Contacts

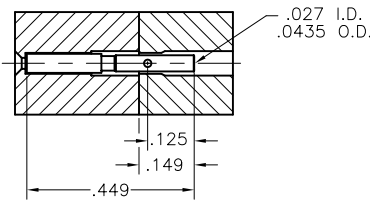
RM312-080-121-2900



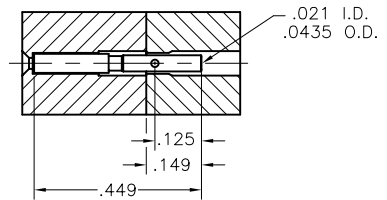
RM322-080-581-5900



20-22 AWG



24-26 AWG



28-30 AWG

NOTE:
When using crimp contacts with 20 gage barrel, barrel must be cut off prior to removing contact from connector body.

CRIMP REMOVABLE CONTACTS	
SIZE	PART NUMBER
20-22 AWG	RM300-000-571-0000
24-26 AWG	RM300-000-581-0000
28-30 AWG	RM300-000-591-0000

DIMENSIONS						
SIZE	A	B	C	D	E	F
11	.665	.475	1.005	.835	.225	.150
23	.965	.775	1.305	1.135	.525	.450
35	1.265	1.075	1.605	1.435	.825	.750
47	1.565	1.375	1.905	1.735	1.125	1.050
59	1.865	1.675	2.205	2.035	1.425	1.350
71	2.165	1.975	2.505	2.335	1.725	1.650
80	2.390	2.200	2.730	2.560	1.950	1.875

PLUG: RM312-080-121-2900
RECEPTACLE: RM322-080-581-5900
 XXXXX-XXX-XXX-XXXX

PLUG

RECEPTACLE

SERIES

RM .075" Screw Machine PC Connector | RM .075" Screw Machine PC Connector

BODY

3 3-Row | 3 3-Row

BODY STYLE:

1 Plug, straight, with mounting ears	2 Receptacle, straight, with mounting ears
3 Plug, straight, without mounting ears	4 Receptacle, straight, without mounting ears

BODY MATERIAL:

2 Polyphenylene sulfide (PPS)	2 Polyphenylene sulfide (PPS)
-------------------------------	-------------------------------

SIZE

011, 023, 035, 047, 059, 071, 080 | 011, 023, 035, 047, 059, 071, 080

CONTACTS

TYPE CONTACTS/TERMINATIONS:

10 Pin, straight, dip solder, .109" x .020" dia	00 Contacts not supplied
11 Pin, straight, solder cup	57 Socket, straight, crimp removable (20-22 AWG)*
12 Pin, straight, dip solder, .140" x .020" dia	58 Socket, straight, crimp removable (24-26 AWG)*
13 Pin, straight, dip solder, .172" x .020" dia	59 Socket, straight, crimp removable (28-30 AWG)*
14 Pin, straight, dip solder, .250" x .020" dia	
15 Pin, straight, flex, .093" x .017" dia	

PLATING OPTIONS:

1 Gold plated termination	0 No plating (use with Contact Option "00" only)
2 Pre-tinned termination, SnPb alloy (dip solder options only) <input type="checkbox"/>	1 Gold plated termination
3 Pre-tinned termination, SAC305 alloy (dip solder options only)	

HARDWARE

STYLE OF HARDWARE:

(See R-41 & R-42 for all options)

0256 None	0256 None
55 Guide set	55 Guide set
57 Two guide pins	57 Two guide pins
58 Two guide sockets	58 Two guide sockets
29 Fixed jackset	29 Fixed jackset
30 Fixed jackset, reversed	30 Fixed jackset, reversed
19 Two fixed jackscrews	19 Two fixed jackscrews
20 Two fixed jacksockets	20 Two fixed jacksockets
59 Hex turning jackset, .200" knob	59 Hex turning jackset, .200" knob
60 Hex turning jackset, reversed, .200" knob	60 Hex turning jackset, reversed, .200" knob
61 Two hex turning jackscrews, .200" knob	61 Two hex turning jackscrews, .200" knob
62 Two hex turning jacksockets, .200" knob	62 Two hex turning jacksockets, .200" knob
64 Turning jackset, .490" knob	64 Turning jackset, .490" knob
65 Turning jackset, reversed, .490" knob	65 Turning jackset, reversed, .490" knob
66 Two turning jackscrews, .490" knob	66 Two turning jackscrews, .490" knob
67 Two turning jacksockets, .490" knob	67 Two turning jacksockets, .490" knob

POLARIZATION:

00 None	00 None
01 thru 68 are special identifiers, see R-38	01 thru 68 are special identifiers, see R-38
70 Same configuration as 01 without Loctite® (To be keyed by customer)	70 Same configuration as 01 without Loctite® (To be keyed by customer)

- * Full complement of crimp removable sockets packaged with connectors
1. Crimp tool - AirBorn part number: CDG4601, Mil Spec number M22520/2-01
 2. Crimp positioner - AirBorn part number: CDG4602 (24-26 AWG and 28-30 AWG)
CDG4603 (20-22 AWG)
 3. Crimp removal tool - AirBorn part number: CDG8161 (All AWGs)
 4. Crimp contact part number on previous page.
- = Option not RoHS compliant



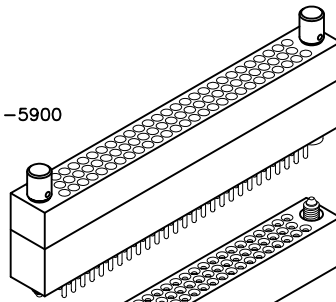
3 • ROW Crimp Removable to Crimp Removable

.075"

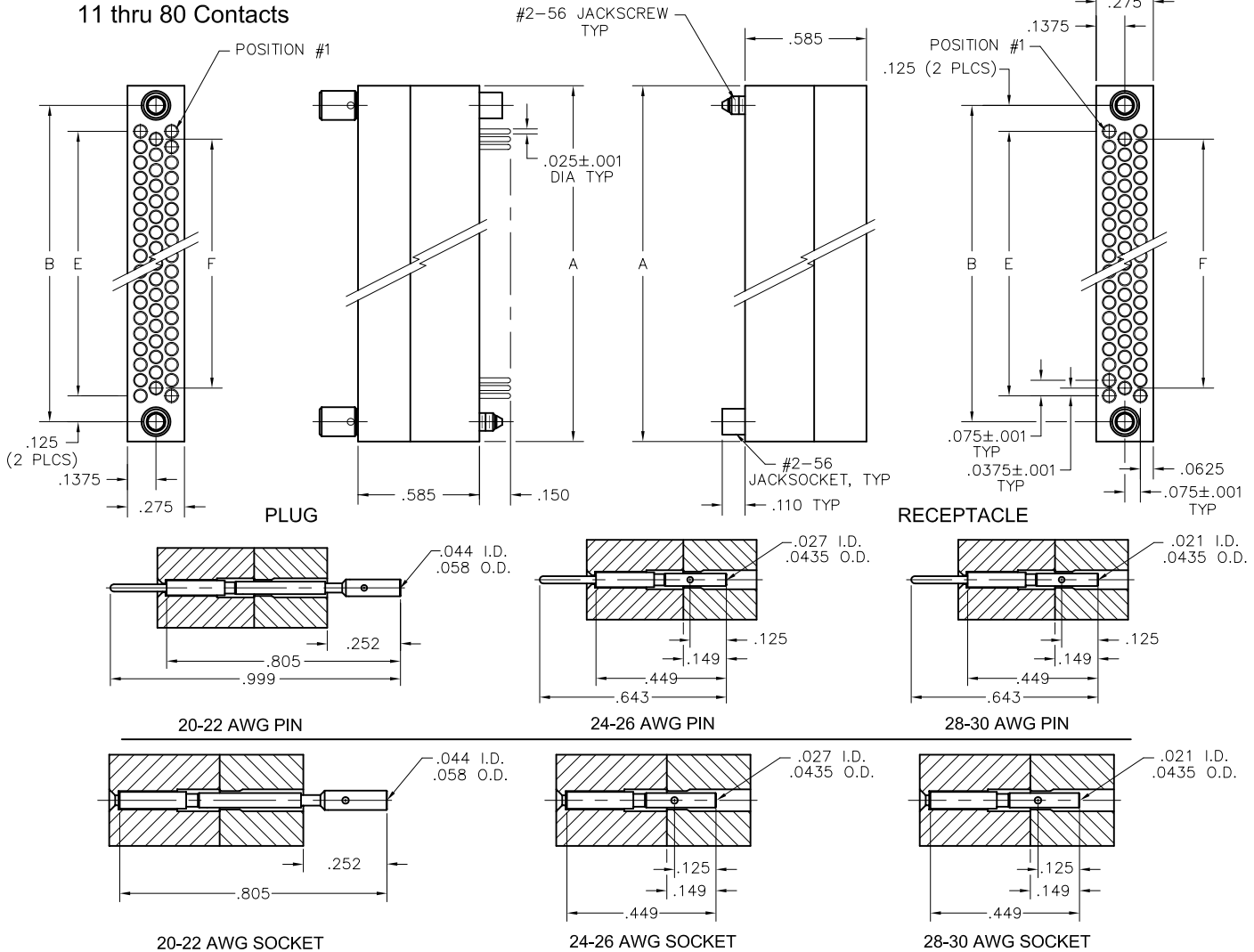
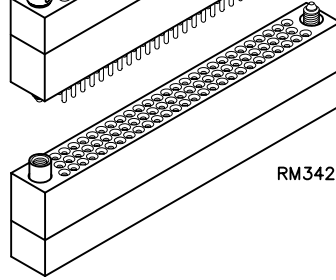
RM3

11 thru 80 Contacts

RM332-080-181-5900



RM342-080-581-2900



NOTE: When using crimp contacts with 20 gage barrel, barrel must be cut off prior to removing contact from connector body.

CRIMP REMOVABLE CONTACTS	
SIZE	PART NUMBER
20-22 AWG PIN	RM300-000-171-0000
24-26 AWG PIN	RM300-000-181-0000
28-30 AWG PIN	RM300-000-191-0000
20-22 AWG SKT	RM300-000-571-0000
24-26 AWG SKT	RM300-000-581-0000
28-30 AWG SKT	RM300-000-591-0000

DIMENSIONS				
SIZE	A	B	E	F
11	.665	.475	.225	.150
23	.965	.775	.525	.450
35	1.265	1.075	.825	.750
47	1.565	1.375	1.125	1.050
59	1.865	1.675	1.425	1.350
71	2.165	1.975	1.725	1.650
80	2.390	2.200	1.950	1.875

PLUG: RM332-080-181-5900
RECEPTACLE: RM342-080-581-2900
 XXXXX-XXX-XXX-XXXX

PLUG

RECEPTACLE

SERIES	
RM .075" Screw Machine PC Connector	RM .075" Screw Machine PC Connector

BODY	
3 3-Row	3 3-Row
BODY STYLE:	BODY STYLE:
1 Plug, straight, with mounting ears	2 Receptacle, straight, with mounting ears
3 Plug, straight, without mounting ears	4 Receptacle, straight, without mounting ears

BODY MATERIAL:	BODY MATERIAL:
2 Polyphenylene sulfide (PPS)	2 Polyphenylene sulfide (PPS)

SIZE	
011, 023, 035, 047, 059, 071, 080	011, 023, 035, 047, 059, 071, 080

CONTACTS	
TYPE CONTACTS/TERMINATIONS:	TYPE CONTACTS/TERMINATIONS:
00 Contacts not supplied	00 Contacts not supplied
17 Pin, straight, crimp removable (20-22 AWG)*	57 Socket, straight, crimp removable (20-22 AWG)*
18 Pin, straight, crimp removable (24-26 AWG)*	58 Socket, straight, crimp removable (24-26 AWG)*
19 Pin, straight, crimp removable (28-30 AWG)*	59 Socket, straight, crimp removable (28-30 AWG)*
PLATING OPTIONS:	PLATING OPTIONS:
0 No plating (use with Contact Option "00" only)	0 No plating (use with Contact Option "00" only)
1 Gold plated termination	1 Gold plated termination

HARDWARE	
STYLE OF HARDWARE: (See R-41 & R-42 for all options)	STYLE OF HARDWARE: (See R-41 & R-42 for all options)
0256 None	0256 None
55 Guide set	55 Guide set
57 Two guide pins	57 Two guide pins
58 Two guide sockets	58 Two guide sockets
29 Fixed jackset	29 Fixed jackset
30 Fixed jackset, reversed	30 Fixed jackset, reversed
19 Two fixed jackscrews	19 Two fixed jackscrews
20 Two fixed jackscrews	20 Two fixed jackscrews
59 Hex turning jackset, .200" knob	59 Hex turning jackset, .200" knob
60 Hex turning jackset, reversed, .200" knob	60 Hex turning jackset, reversed, .200" knob
61 Two hex turning jackscrews, .200" knob	61 Two hex turning jackscrews, .200" knob
62 Two hex turning jackscrews, .200" knob	62 Two hex turning jackscrews, .200" knob
64 Turning jackset, .490" knob	64 Turning jackset, .490" knob
65 Turning jackset, reversed, .490" knob	65 Turning jackset, reversed, .490" knob
66 Two turning jackscrews, .490" knob	66 Two turning jackscrews, .490" knob
67 Two turning jackscrews, .490" knob	67 Two turning jackscrews, .490" knob
POLARIZATION:	POLARIZATION
00 None	00 None
01 thru 68 are special identifiers, see R-38	01 thru 68 are special identifiers, see R-38
70 Same configuration as 01 without Loctite® (To be keyed by customer)	70 Same configuration as 01 without Loctite® (To be keyed by customer)

- * Full compliment of crimp removable sockets packaged with connectors
1. Crimp tool - AirBorn part number: CDG4601, Mil Spec number M22520/2-01
 2. Crimp positioner - AirBorn part number: CDG4602 (24-26 AWG and 28-30 AWG)
CDG4603 (20-22 AWG)
 3. Crimp removal tool - AirBorn part number: CDG8161 (All AWGs)
 4. Crimp contact part number on previous page.



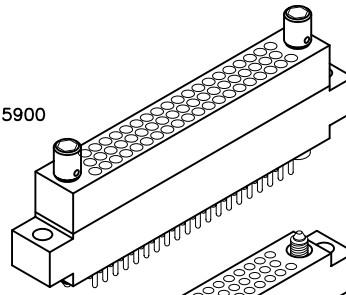
3 · ROW Crimp Removable to Cable or Board

.075"

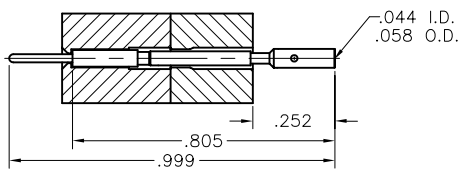
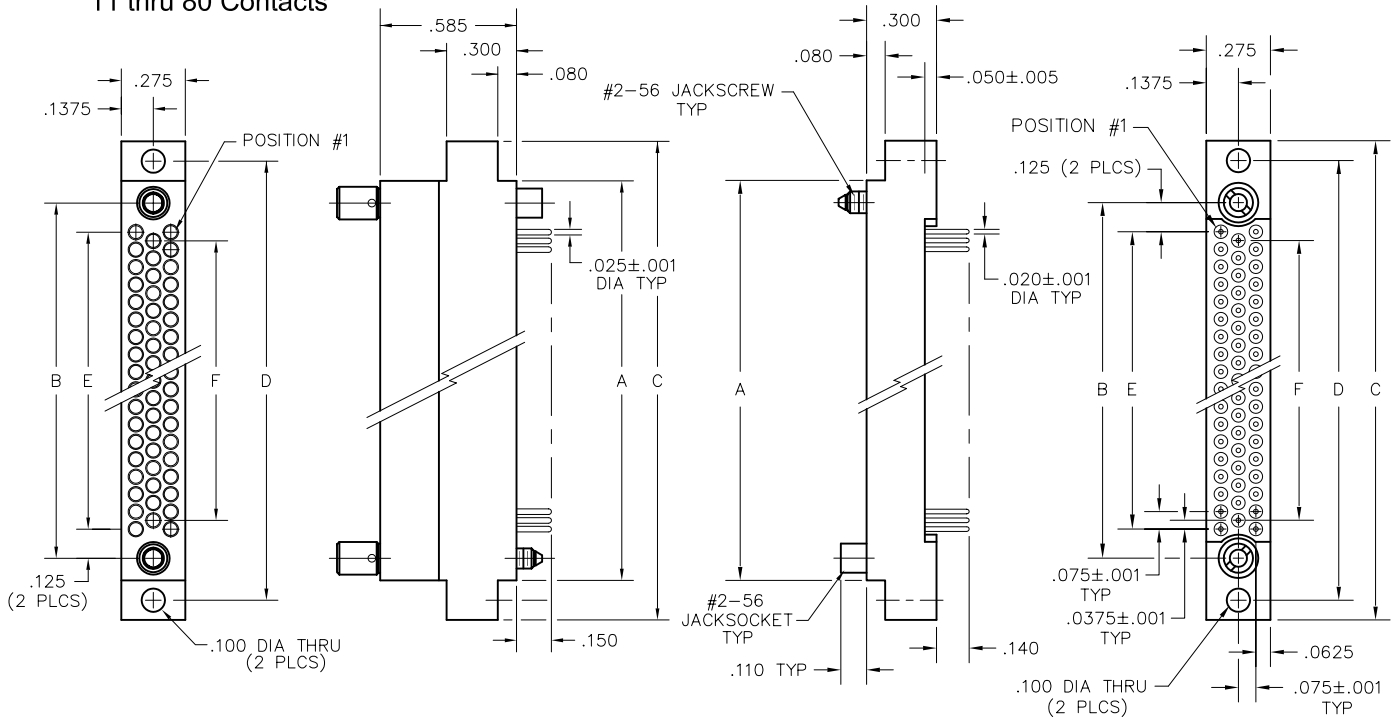
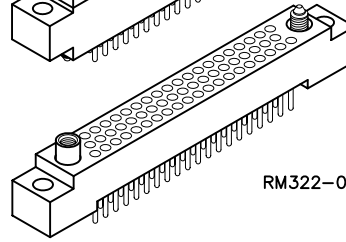
RM3

11 thru 80 Contacts

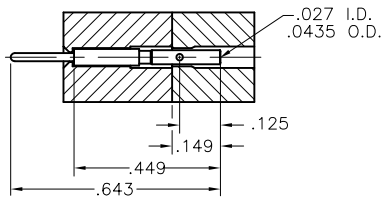
RM312-059-181-5900



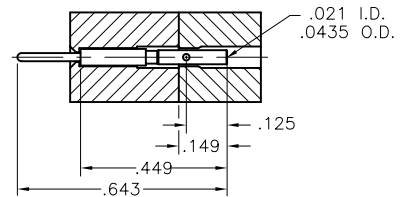
RM322-059-211-2900



20-22 AWG



24-26 AWG



28-30 AWG

NOTE:

When using crimp contacts with 20 gage barrel, barrel must be cut off prior to removing contact from connector body.

CRIMP REMOVABLE CONTACTS	
SIZE	PART NUMBER
20-22 AWG	RM300-000-171-0000
24-26 AWG	RM300-000-181-0000
28-30 AWG	RM300-000-191-0000

DIMENSIONS						
SIZE	A	B	C	D	E	F
11	.665	.475	1.005	.835	.225	.150
23	.965	.775	1.305	1.135	.525	.450
35	1.265	1.075	1.605	1.435	.825	.750
47	1.565	1.375	1.905	1.735	1.125	1.050
59	1.865	1.675	2.205	2.035	1.425	1.350
71	2.165	1.975	2.505	2.335	1.725	1.650
80	2.390	2.200	2.730	2.560	1.950	1.875

PLUG: RM312-059- 181-5900
RECEPTACLE: RM322-059- 211-2900
 XXXXX-XXX-XXX-XXXX

PLUG		RECEPTACLE	
SERIES			
RM .075" Screw Machine PC Connector		RM .075" Screw Machine PC Connector	
BODY			
3	3-Row	3	3-Row
1	BODY STYLE: Plug, straight, with mounting ears	2	BODY STYLE: Receptacle, straight, with mounting ears
3	Plug, straight, without mounting ears	4	Receptacle, straight, without mounting ears
2	BODY MATERIAL: Polyphenylene sulfide (PPS)	2	BODY MATERIAL: Polyphenylene sulfide (PPS)
SIZE			
011, 023, 035, 047, 059, 071, 080		011, 023, 035, 047, 059, 071, 080	
CONTACTS			
TYPE CONTACTS/TERMINATIONS:		TYPE CONTACTS/TERMINATIONS:	
00	Contacts not supplied	20	Socket, straight, dip solder, .109" x .020" dia
17	Pin, straight, crimp removable (20-22 AWG)*	21	Socket, straight, dip solder, .140" x .020" dia
18	Pin, straight, crimp removable (24-26 AWG)*	22	Socket, straight, dip solder, .172" x .020" dia
19	Pin, straight, crimp removable (28-30 AWG)*	23	Socket, straight, dip solder, .250" x .020" dia
		24	Socket, straight, solder cup
		25	Socket, straight, flex circuit, .093" x .017" dia
		26	Socket, straight, wire wrap®, .500" x .018 sq
		27	Socket, straight, wire wrap®, .375" x .018 sq
		28	Socket, straight, wire wrap®, .625" x .018 sq
		29	Socket, connector saver, .150" x .025" dia
		50	Socket, straight, dip solder, .140" x .016" dia
		51	Socket, straight, dip solder, .172" x .016" dia
		53	Socket, straight, stacking, .212" x .025" dia
		54	Socket, straight, stacking, .244" x .025" dia
		55	Socket, straight, stacking, .275" x .025" dia
		64	Socket, straight, press-fit, .203" (Board .093"-.125" thk)
		65	Socket, straight, press-fit, .323" (Board .156"-.200" thk)
		66	Socket, straight, press-fit, .403" (Board .250"+ thk)
PLATING OPTIONS:		PLATING OPTIONS:	
0	No plating (use with Contact Option "00" only)	1	Gold plated termination
1	Gold plated termination	2	Pre-tinned termination, SnPb alloy (dip solder options only) <input checked="" type="checkbox"/>
		3	Pre-tinned termination, SAC305 alloy (dip solder options only)
HARDWARE			
STYLE OF HARDWARE: (See R-41 & R-42 for all options)		STYLE OF HARDWARE: (See R-41 & R-42 for all options)	
0256	None	0256	None
55	Guide set	55	Guide set
57	Two guide pins	57	Two guide pins
58	Two guide sockets	58	Two guide sockets
29	Fixed jackset	29	Fixed jackset
30	Fixed jackset, reversed	30	Fixed jackset, reversed
19	Two fixed jackscrews	19	Two fixed jackscrews
20	Two fixed jacksockets	20	Two fixed jacksockets
59	Hex turning jackset, .200" knob	59	Hex turning jackset, .200" knob
60	Hex turning jackset, reversed, .200" knob	60	Hex turning jackset, reversed, .200" knob
61	Two hex turning jackscrews, .200" knob	61	Two hex turning jackscrews, .200" knob
62	Two hex turning jacksockets, .200" knob	62	Two hex turning jacksockets, .200" knob
64	Turning jackset, .490" knob	64	Turning jackset, .490" knob
65	Turning jackset, reversed, .490" knob	65	Turning jackset, reversed, .490" knob
66	Two turning jackscrews, .490" knob	66	Two turning jackscrews, .490" knob
67	Two turning jacksockets, .490" knob	67	Two turning jacksockets, .490" knob
POLARIZATION:		POLARIZATION	
00	None	00	None
01	thru 68 are special identifiers, see R-38	01	thru 68 are special identifiers, see R-38
70	Same configuration as 01 without Loctite® (To be keyed by customer)	70	Same configuration as 01 without Loctite® (To be keyed by customer)

* Full compliment of crimp removable sockets packaged with connectors

1. Crimp tool - AirBorn part number: CDG4601, Mil Spec number M22520/2-01
2. Crimp positioner - AirBorn part number: CDG4602 (24-26 AWG and 28-30 AWG) / CDG4603 (20-22 AWG)
3. Crimp removal tool - AirBorn part number: CDG8161 (All AWGs)
4. Crimp contact part number on previous page.

= Option not RoHS compliant

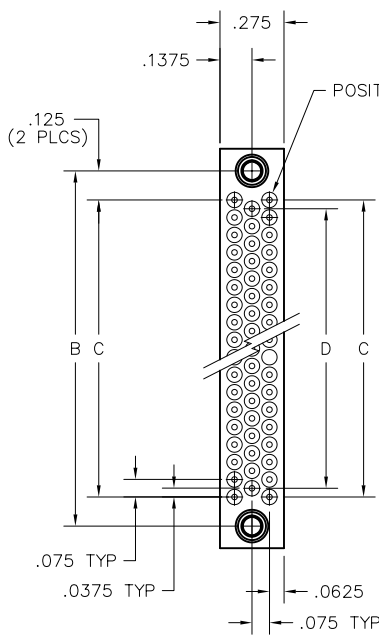
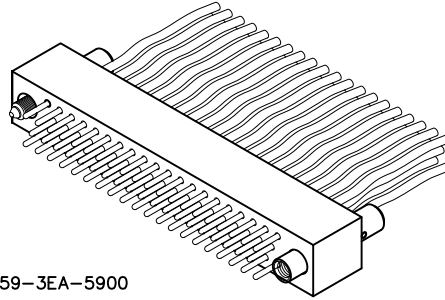
3 · ROW Crimped Wire I/O Plug

.075"

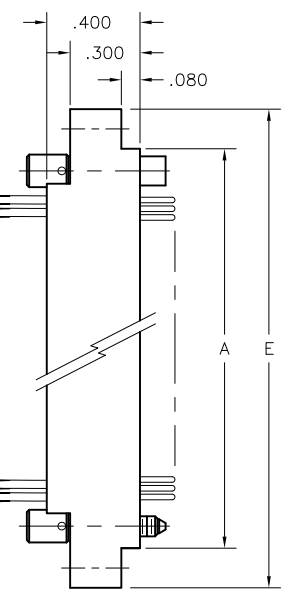
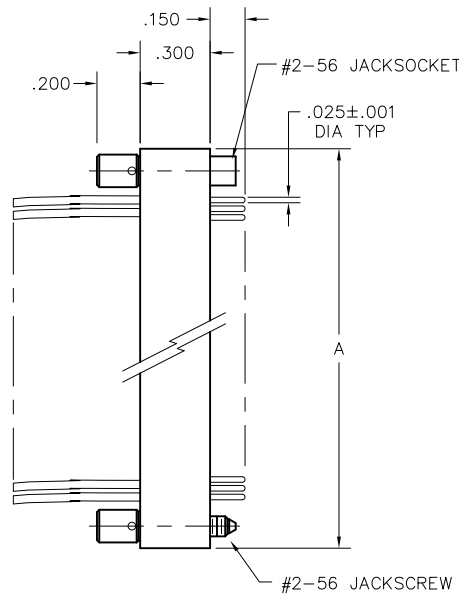
RA3

11 thru 104 Contacts

RA3D2-059-3EA-5900



PLUG WITHOUT
MOUNTING EARS OR
POTTING WELL



PLUG WITH
MOUNTING EARS AND
POTTING WELL

DIMENSIONS					
SIZE	A	B	C	D	E
11	.665	.475	.225	.150	1.005
23	.965	.775	.525	.450	1.305
35	1.265	1.075	.825	.750	1.605
47	1.565	1.375	1.125	1.050	1.905
59	1.865	1.675	1.425	1.350	2.205
71	2.165	1.975	1.725	1.650	2.505
80	2.390	2.200	1.950	1.875	2.730
104	2.990	2.800	2.550	2.475	3.330

RA3 PLUG CONNECTORS MATE WITH:		
MATE	DESCRIPTION	PAGE
RM322	3 ROW STRAIGHT RECEPTACLE WITH EARS	R-21
RM342	3 ROW STRAIGHT RECEPTACLE WITHOUT EARS	R-21
RM362	3 ROW RIGHT ANGLE RECEPTACLE WITH EARS	R-23
RM382	3 ROW RIGHT ANGLE RECEPTACLE WITHOUT EARS	R-23

REPLACEMENT CONTACTS:

RA000-001-100-0000
RA000-001-300-0000

SEE PAGE R-33.4 FOR CRIMP INSTRUCTIONS, CONTACT INSERTION AND CONTACT REMOVAL TOOLS.

PLUG: RA3D2-059-3EA-5900
XXXXX-XXX-XXX-XXXX

SERIES	
RA .075" Screw Machine PC Connector	
BODY	
3	3-Row
BODY STYLE:	
A	Plug, straight, w/ potting well, w/ mounting ears
B	Plug, straight, w/ potting well, w/out mounting ears
C	Plug, straight, w/out potting well, w/ mounting ears
D	Plug, straight, w/out potting well, w/out mounting ears
BODY MATERIAL:	
2	Polyphenylene sulfide (PPS)
SIZE	
011, 023, 035, 047, 059, 071, 080, 104	
CONTACTS	
TYPE CONTACTS/TERMINATIONS:	
1	Pin, crimp, 28-30 awg. contact
3	Pin, crimp, 22-26 awg. contact
WIRING OPTIONS:	
XX	See wiring codes at right
HARDWARE	
STYLE OF HARDWARE:	
0256	None
Guide Hardware	
5500	Guide set
5501-5568	Guide set, polarized (see page R-38)
5570	Guide set, polarized, same as 5501 without Loctite® (to be keyed by customer)
5700	Two guide pins
5800	Two guide sockets
Jacking Hardware	
2900	Fixed jackset
3000	Fixed jackset, reversed
1900	Two fixed jackscrews
2000	Two fixed jackscrews
5900	Hex turning jackset, .200" knob
6000	Hex turning jackset, reversed, .200" knob
6100	Two hex turning jackscrews, .200" knob
6200	Two hex turning jackscrews, .200" knob
6400	Turning jackset, .490" knob
6500	Turning jackset, reversed, .490" knob
6600	Two turning jackscrews, .490" knob
6700	Two turning jackscrews, .490" knob

= Option not RoHS compliant

If potting well is used with a pre-wired connector, it will be potted and not repairable.
If potting well is not used with a pre-wired connector, it will not be potted.
Contacts that are not potted in place can be removed and replaced only one time.
See page R-33.4 for crimp instructions, contact insertion and contact removal tools.

WIRE CODES

TYPE and COLOR			LENGTH	
Code	Size	Color	Code	Length (+1"/-0")
Mil-W-16878/4				
A	22 awg	Ten repeating	A	6"
B	22 awg	White	B	12"
C	24 awg	Ten repeating	C	18"
D	24 awg	White	D	24"
E	26 awg	Ten repeating	E	30"
F	26 awg	White	F	36"
G	28 awg	Ten repeating	G	42"
H	28 awg	White	H	48"
J	30 awg	Ten repeating	J	54"
K	30 awg	White	K	60"
L			L	66"
M			M	72"
N			N	84"
P			P	96"
R			R	108"
S			S	120"
Mil-W-22759/33				
L	22 awg	Ten repeating		
M	22 awg	White		
N	24 awg	Ten repeating		
P	24 awg	White		
R	26 awg	Ten repeating		
S	26 awg	White		
T	28 awg	Ten repeating		
U	28 awg	White		
V	30 awg	Ten repeating		
W	30 awg	White		

USING WIRE CODES:

RA3D2-059-3EA-5900

Type and Color  Length

Color sequence for Ten repeating wire colors:

(Beginning in position #1)

- Black
- Brown
- Red
- Orange
- Yellow
- Green
- Blue
- Violet
- Grey
- White

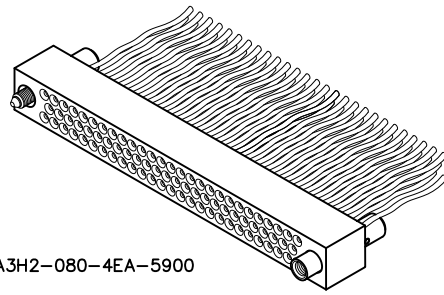
Repeat this sequence until connector is fully loaded.

3 · ROW Crimped Wire I/O Receptacle

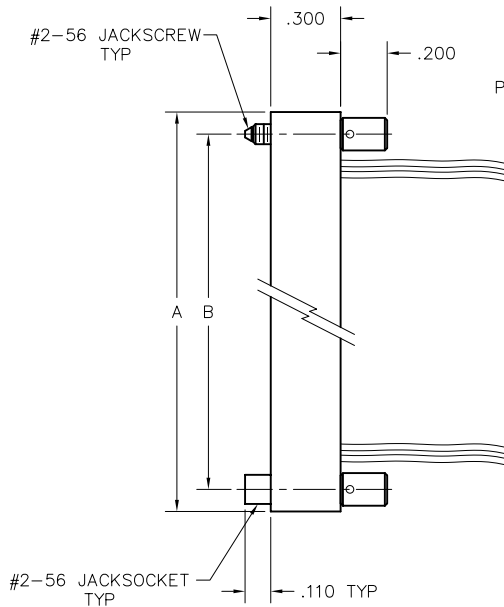
.075"

RA3

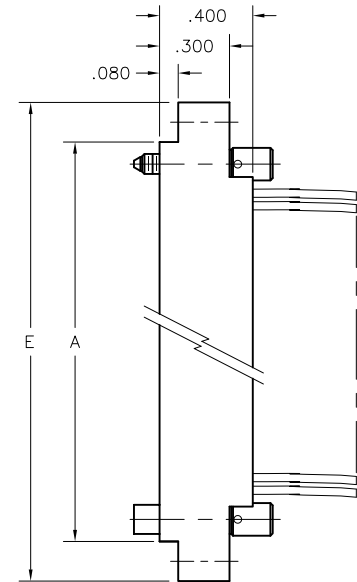
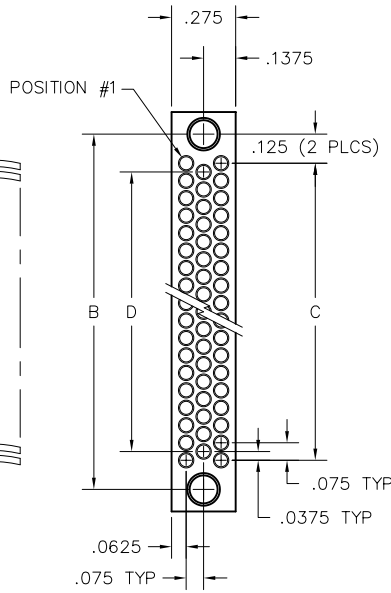
11 thru 104 Contacts



RA3H2-080-4EA-5900



RECEPTACLE WITHOUT
MOUNTING EARS OR
POTTING WELL



RECEPTACLE WITH
MOUNTING EARS AND
POTTING WELL

DIMENSIONS					
SIZE	A	B	C	D	E
11	.665	.475	.225	.150	1.005
23	.965	.775	.525	.450	1.305
35	1.265	1.075	.825	.750	1.605
47	1.565	1.375	1.125	1.050	1.905
59	1.865	1.675	1.425	1.350	2.205
71	2.165	1.975	1.725	1.650	2.505
80	2.390	2.200	1.950	1.875	2.730
104	2.990	2.800	2.550	2.475	3.330

RA3 RECEPTACLE CONNECTORS MATE WITH:		
MATE	DESCRIPTION	PAGE
RM312	3 ROW STRAIGHT PLUG WITH EARS	R-32
RM332	3 ROW STRAIGHT PLUG WITHOUT EARS	R-32
RM352	3 ROW RIGHT ANGLE PLUG WITH EARS	R-26
RM372	3 ROW RIGHT ANGLE PLUG WITHOUT EARS	R-26

REPLACEMENT CONTACTS:

RA000-001-200-0000
RA000-001-400-0000

SEE PAGE R-33.4 FOR CRIMP INSTRUCTIONS, CONTACT INSERTION AND CONTACT REMOVAL TOOLS.

PLUG: RA3H2-080-4EA-5900
XXXXX-XXX-XXX-XXXX

SERIES	
RA .075" Screw Machine PC Connector	
BODY	
3	3-Row
BODY STYLE:	
E	Receptacle, straight, w/ potting well, w/ mounting ears
F	Receptacle, straight, w/ potting well, w/out mounting ears
G	Receptacle, straight, w/out potting well, w/ mounting ears
H	Receptacle, straight, w/out potting well, w/out mounting ears
BODY MATERIAL:	
2	Polyphenylene sulfide (PPS)
SIZE	
011, 023, 035, 047, 059, 071, 080, 104	
CONTACTS	
TYPE CONTACTS/TERMINATIONS:	
2	Socket, crimp, 28-30 awg. contact
4	Socket, crimp, 22-26 awg. contact
WIRING OPTIONS:	
XX	See wiring codes at right
HARDWARE	
STYLE OF HARDWARE:	
0256	None
Guide Hardware	
5500	Guide set
5501-5568	Guide set, polarized (see page R-38)
5570	Guide set, polarized, same as 5501 without Loctite® (to be keyed by customer)
5700	Two guide pins
5800	Two guide sockets
Jacking Hardware	
2900	Fixed jackset
3000	Fixed jackset, reversed
1900	Two fixed jackscrews
2000	Two fixed jacksockets
5900	Hex turning jackset, .200" knob
6000	Hex turning jackset, reversed, .200" knob
6100	Two hex turning jackscrews, .200" knob
6200	Two hex turning jacksockets, .200" knob
6400	Turning jackset, .490" knob
6500	Turning jackset, reversed, .490" knob
6600	Two turning jackscrews, .490" knob
6700	Two turning jacksockets, .490" knob

= Option not RoHS compliant

If potting well is used with a pre-wired connector, it will be potted and not repairable.

If potting well is not used with a pre-wired connector, it will not be potted.

Contacts that are not potted in place can be removed and replaced only one time.
See page R-33.4 for crimp instructions, contact insertion and contact removal tools.

WIRE CODES

TYPE and COLOR			LENGTH	
Code	Size	Color	Code	Length (+1"/-0")
Mil-W-16878/4				
A	22 awg	Ten repeating	A	6"
B	22 awg	White	B	12"
C	24 awg	Ten repeating	C	18"
D	24 awg	White	D	24"
E	26 awg	Ten repeating	E	30"
F	26 awg	White	F	36"
G	28 awg	Ten repeating	G	42"
H	28 awg	White	H	48"
J	30 awg	Ten repeating	J	54"
K	30 awg	White	K	60"
L			L	66"
M			M	72"
N			N	84"
P			P	96"
R			R	108"
S			S	120"
Mil-W-22759/33				
L	22 awg	Ten repeating		
M	22 awg	White		
N	24 awg	Ten repeating		
P	24 awg	White		
R	26 awg	Ten repeating		
S	26 awg	White		
T	28 awg	Ten repeating		
U	28 awg	White		
V	30 awg	Ten repeating		
W	30 awg	White		

USING WIRE CODES:

RA3H2-080-4EA-5900

Type and Color  Length

Color sequence for Ten repeating wire colors:

(Beginning in position #1)

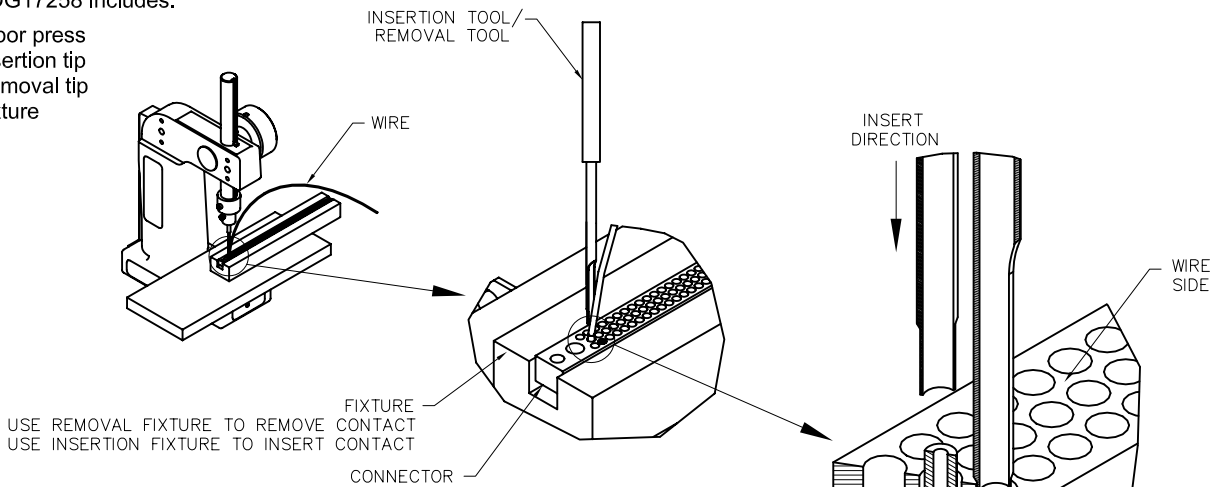
Black
Brown
Red
Orange
Yellow
Green
Blue
Violet
Grey
White

Repeat this sequence until connector is fully loaded.

RA Assembly Instructions

CDG17258 includes:

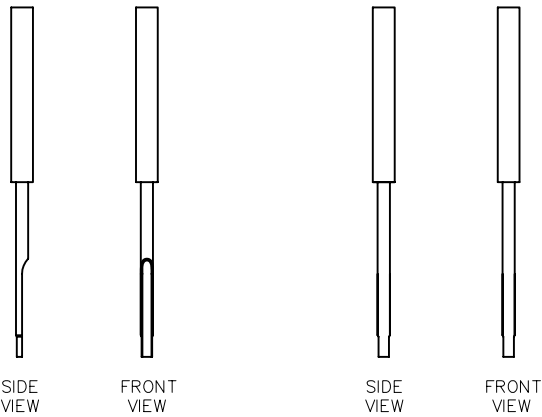
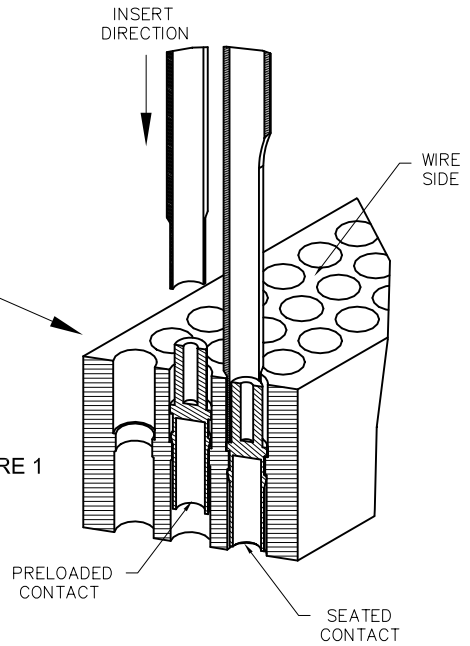
- Arbor press
- Insertion tip
- Removal tip
- Fixture



CONTACT INSERTION INSTRUCTIONS:

1. Load connector with crimped contacts.
2. Place preloaded connector on insertion fixture with wire side facing up.
3. Position fixture so insertion tool is over contact.
4. Place wire against insertion tool cutout trench.
5. Crank handle on press to seat contact.

FIGURE 1



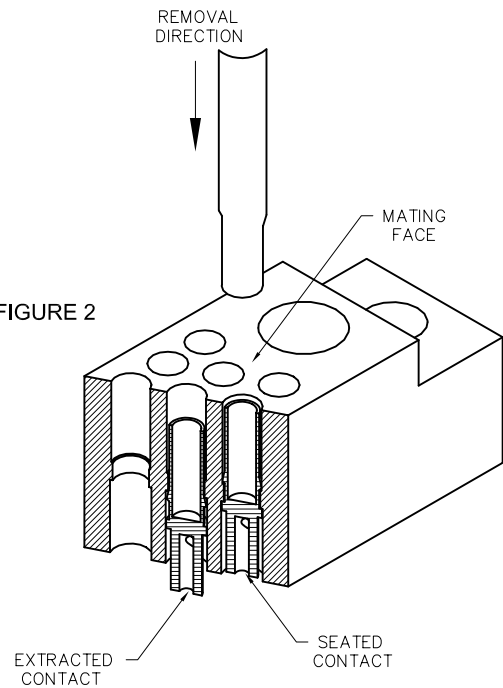
INSERTION TOOL:
AIRBORN P/N: CDG17256

REMOVAL TOOL:
AIRBORN P/N: CDG17257

CONTACT REMOVAL INSTRUCTIONS:

1. Place connector on removal fixture with mating side facing up.
2. Position fixture so removal tool is over contact.
3. Crank handle on press to remove contact.

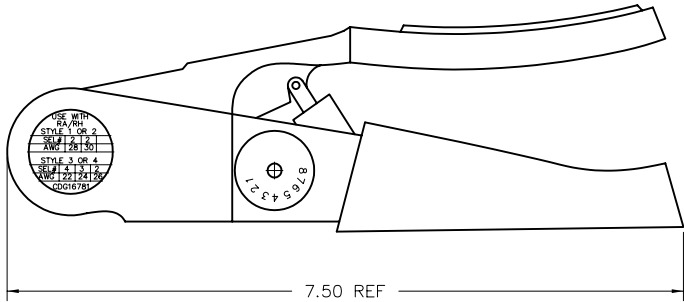
FIGURE 2



RA Crimp Instructions

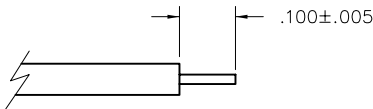
1. SET UP CRIMP TOOL

Install proper positioner into the crimp tool. Crimp settings are shown on the positioner for various wire gauge sizes. Adjust the wheel to the proper setting.



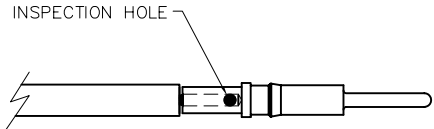
2. STRIP WIRE

Remove insulation from wire as shown.



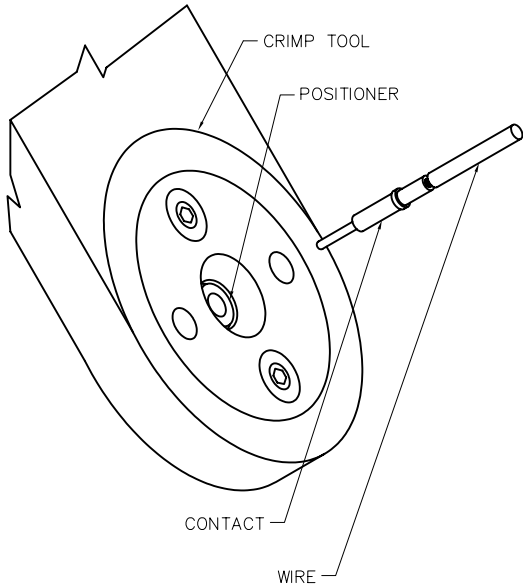
3. INSERT WIRE

Insert wire into the contact. Wire should be visible in the inspection hole.



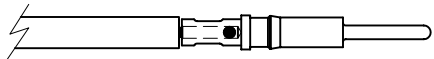
4. INSERT CONTACT INTO CRIMP TOOL

Make sure the contact is fully seated in the positioner. Squeeze the handles fully. The ratcheting mechanism of the tool will not allow a partial crimp. The handles will not return to the open position until fully compressed. Release the handles and remove the contact.



5. INSPECT CRIMPED CONTACT

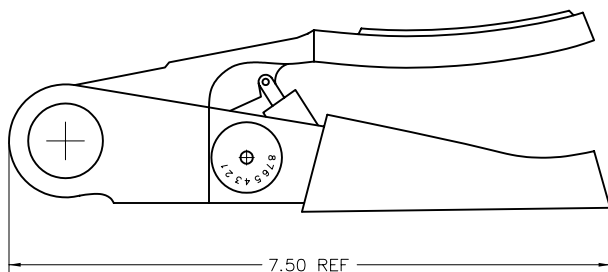
Crimp indentions should be uniform in depth and location.



RA Crimp Accessories

Crimp Tool

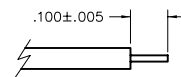
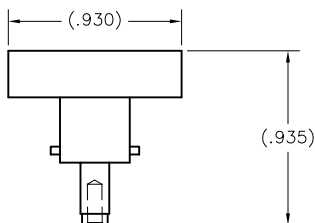
TC2963 - CRIMP TOOL
REF M22520/2-01



Crimp Positioner

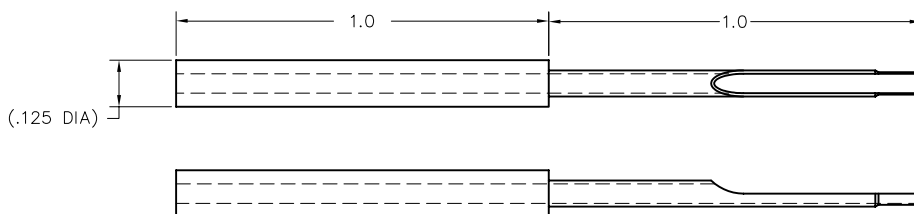
USE WITH RA/RH			
STYLE 1 OR 2			
SEL#	2	2	
AWG	28	30	
STYLE 3 OR 4			
SEL#	4	3	2
AWG	22	24	26
CDG16781			

TOOL SELECTION TABLE	
CONTACT	POSITIONER
RA000-001-100-0000	CDG16781
RA000-001-200-0000	
RA000-001-300-0000	
RA000-001-400-0000	

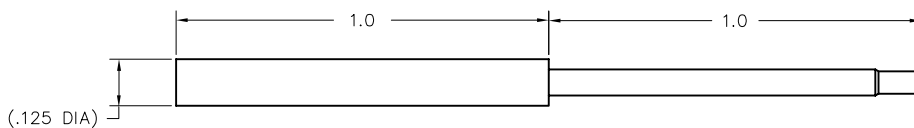


INSULATION STRIPPING
EXPOSE .100 BARE WIRE
LENGTH FOR INSERTION INTO
CONTACT.

Insertion Tool - CDG17256



Removal Tool - CDG17257

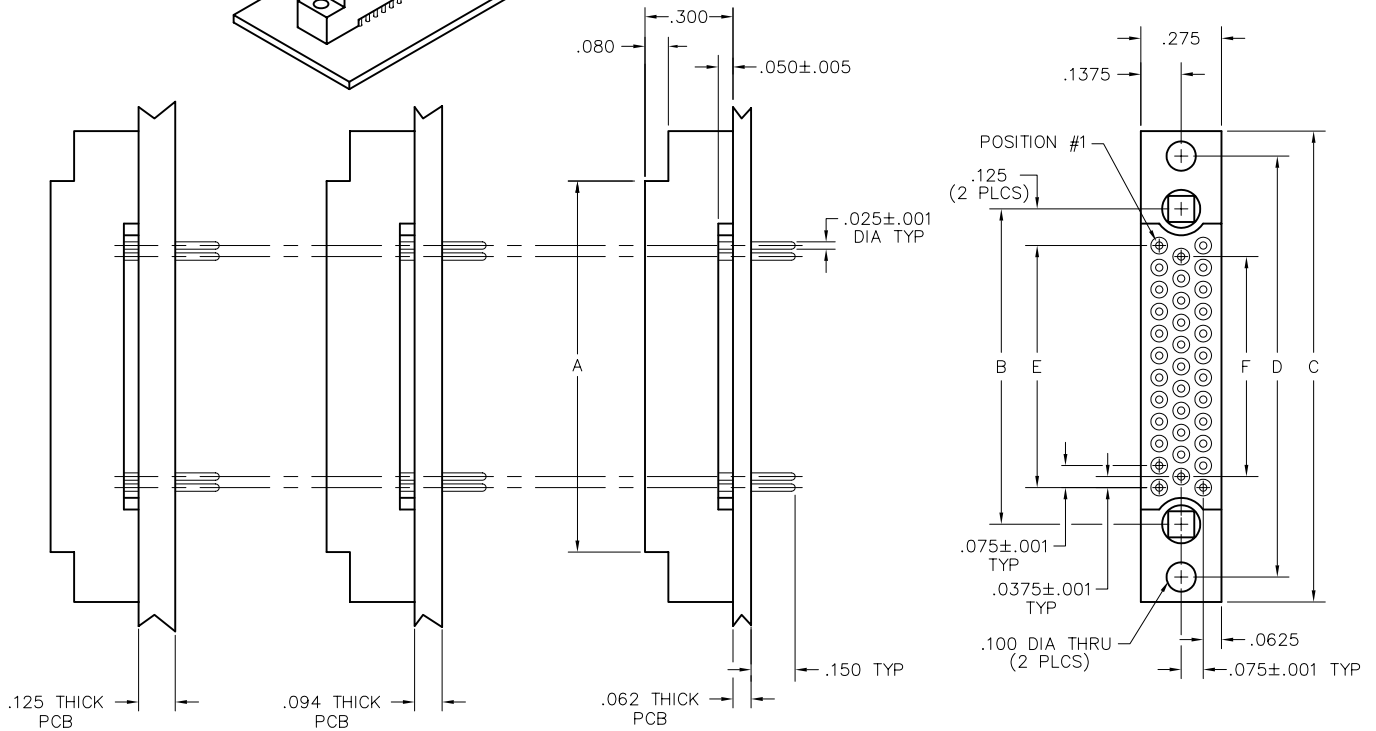


3 • ROW PC Board Stackable or Connector Saver

.075"

RM3

11 thru 206 Contacts



NOTE:
Stacking connectors cannot have mating hardware.
(-0256 indicates no hardware)

PC BOARD THICKNESS	TERMINATION LENGTH	PART NUMBER
.062	.212	RM322-035-531-0256
.094	.244	RM322-035-541-0256
.125	.275	RM322-035-551-0256
CONNECTOR SAVER	.150	RM322-035-291-0256

DIMENSIONS						
SIZE	A	B	C	D	E	F
11	.665	.475	1.005	.835	.225	.150
23	.965	.775	1.305	1.135	.525	.450
35	1.265	1.075	1.605	1.435	.825	.750
47	1.565	1.375	1.905	1.735	1.125	1.050
59	1.865	1.675	2.205	2.035	1.425	1.350
71	2.165	1.975	2.505	2.335	1.725	1.650
80	2.390	2.200	2.730	2.560	1.950	1.875
92	2.690	2.500	3.030	2.860	2.250	2.175
104	2.990	2.800	3.330	3.160	2.550	2.475
122	3.440	3.250	3.780	3.610	3.000	2.925
140	3.890	3.700	4.230	4.060	3.450	3.375
152	4.190	4.000	4.530	4.360	3.750	3.675
182	4.940	4.750	5.280	5.110	4.500	4.425
206	5.540	5.350	5.880	5.710	5.100	5.025



3 • ROW

Right Angle PTH Plug

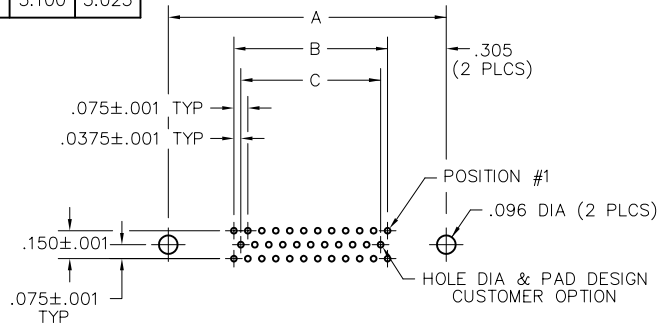
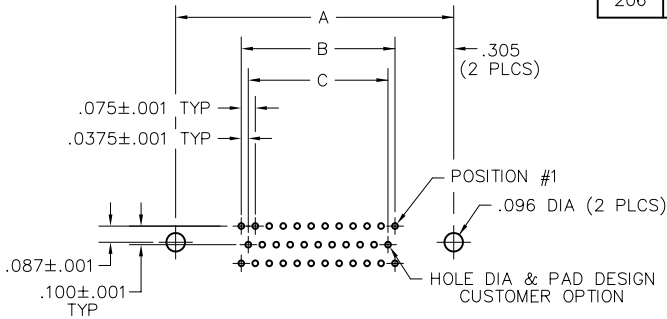
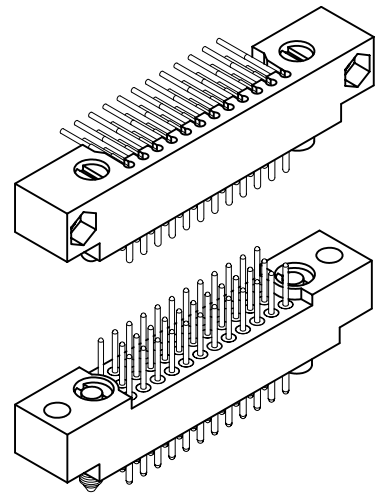
Straight PTH Plug

.075"

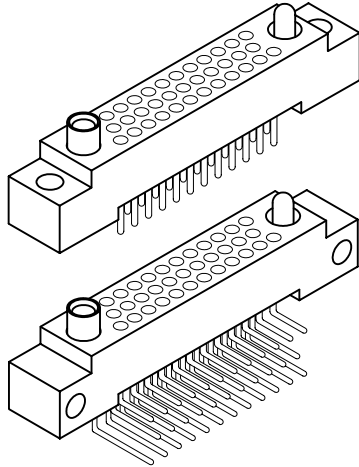
RM3

11 thru 206 Contacts
Recommended Board Layout

DIMENSIONS			
SIZE	A	B	C
11	.835	.225	.150
23	1.135	.525	.450
35	1.435	.825	.750
47	1.735	1.125	1.050
59	2.035	1.425	1.350
71	2.335	1.725	1.650
80	2.560	1.950	1.875
92	2.860	2.250	2.175
104	3.160	2.550	2.475
122	3.610	3.000	2.925
140	4.060	3.450	3.375
152	4.360	3.750	3.675
182	5.110	4.500	4.425
206	5.710	5.100	5.025



SIZE	CONTACT ID	SIZE	CONTACT ID
11	4 3 2 1 7 6 5 11 10 9 8	92	31 30 29 3 2 1 61 60 59 34 33 32 92 91 90 64 63 62
23	8 7 6 5 4 3 2 1 15 14 13 12 11 10 9 23 22 21 20 19 18 17 16	104	35 34 33 3 2 1 69 68 67 38 37 36 104 103 102 72 71 70
35	12 11 10 3 2 1 23 22 21 15 14 13 35 34 33 26 25 24	122	41 40 39 3 2 1 81 80 79 44 43 42 122 121 120 84 83 82
47	16 15 14 3 2 1 31 30 29 19 18 17 47 46 45 34 33 32	140	47 46 45 3 2 1 93 92 91 50 49 48 140 139 138 96 95 94
59	20 19 18 3 2 1 39 38 37 23 22 21 59 58 57 42 41 40	152	51 50 49 3 2 1 101 100 99 54 53 52 152 151 150 104 103 102
71	24 23 22 3 2 1 47 46 45 27 26 25 71 70 69 50 49 48	182	61 60 59 3 2 1 121 120 119 64 63 62 182 181 180 124 123 122
80	27 26 25 3 2 1 53 52 51 30 29 28 80 79 78 56 55 54	206	69 68 67 3 2 1 137 136 135 72 71 70 206 205 204 140 139 138



DIMENSIONS			
SIZE	A	B	C
11	.835	.225	.150
23	1.135	.525	.450
35	1.435	.825	.750
47	1.735	1.125	1.050
59	2.035	1.425	1.350
71	2.335	1.725	1.650
80	2.560	1.950	1.875
92	2.860	2.250	2.175
104	3.160	2.550	2.475
122	3.610	3.000	2.925
140	4.060	3.450	3.375
152	4.360	3.750	3.675
182	5.110	4.500	4.425
206	5.710	5.100	5.025

3 • ROW

Right Angle PTH Rcpt

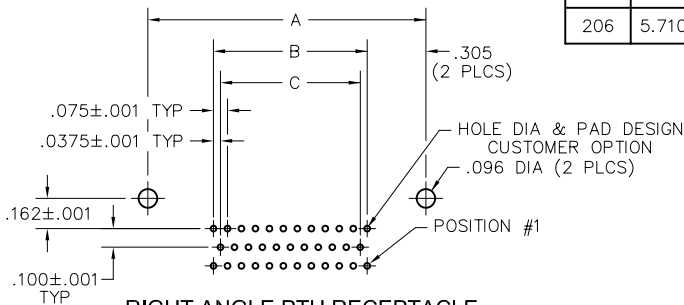
Straight PTH Rcpt

.075"

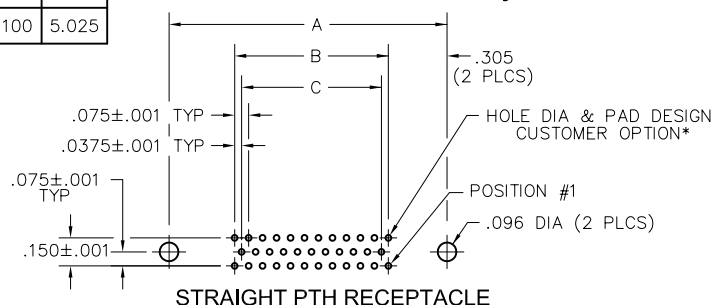
RM3

11 thru 206 Contacts

Recommended Board Layout



RIGHT ANGLE PTH RECEPTACLE
PC BOARD VIEWED FROM COMPONENT SIDE



STRAIGHT PTH RECEPTACLE
PC BOARD VIEWED FROM COMPONENT SIDE

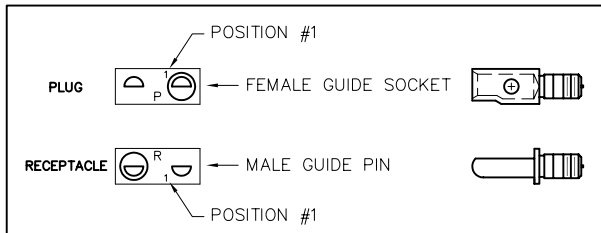
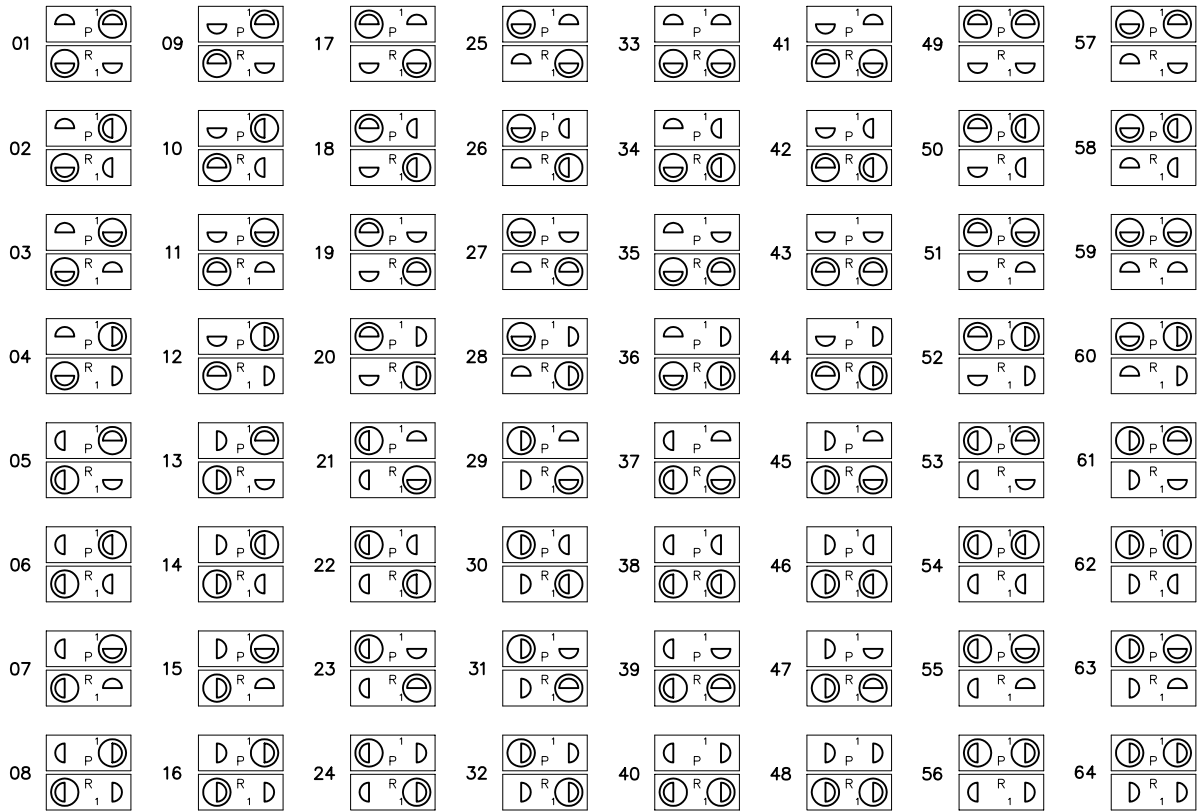
*COMPLIANT TERMINATION REQUIREMENTS:
Board Material: FR-4 w/ 1.0 oz. copper
Minimum nominal board thickness: .062"
Drilled hole: .0319"-.0339"
Copper plating thickness: .0010" minimum

Tin-lead plating thickness: .0006" maximum
Electroplated tin-lead composition: 63/37 (Sn/Pb)
Finished hole diameter: .028"±.002"

SIZE	CONTACT ID	SIZE	CONTACT ID
11		92	
23		104	
35		122	
47		140	
59		152	
71		182	
80		206	

Polarization 2 & 3 Row

D-Shaped Guide Sets



For optimum safety, use polarization number 01-06-11-16-17-22-27 or 32 when possible. These positions will exclude entry or guide pins at both ends of connectors when an attempt is made to mate incorrectly.

Select the appropriate two digit number above and include as the last two digits of the hardware code in the part number.

Example:

Plug RM252-100-311-5501
Receptacle RM222-100-211-5501

To order polarization guide set only, see catalog page R-42. This set consists of one "D-shaped" guide pin, one "D-shaped" guide socket and two spanner nuts (#2-56 UNC thread).

To change polarization position of guide sets, order spanner nut wrench, part number TN-1680.

UNIVERSAL TEST CONNECTORS

The following test guide sets are designed to mate with any of several connectors having different polarization positions. Note that the square guide pin in test connector will enter the D-shaped socket in any of the four positions in which it may be installed. Likewise, the round guide socket in test connector will fit the D-shaped pin in any position.

5565 CD8783 For positions 5501 thru 5516

5566 CD8783 For positions 5517 thru 5532

5567P CD8784 For positions 5533 thru 5548

5567R CD7743 For positions 5533 thru 5548

5568P CD7743 For positions 5549 thru 5564

5568R CD8784 For positions 5549 thru 5564

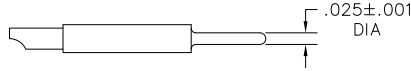
Hardware type shown above catalog order number.

Contacts

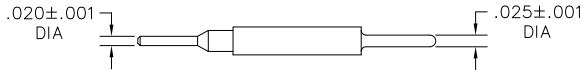
2 & 3 Row

Pins and Sockets

PINS



11 Pin, straight, solder cup

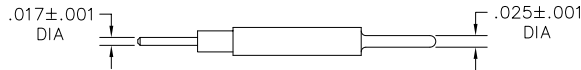


10 Pin, straight, dip solder, .109"

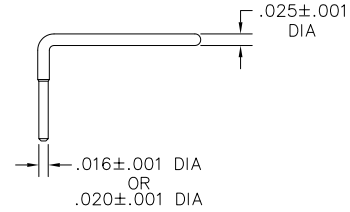
12 Pin, straight, dip solder, .140"

13 Pin, straight, dip solder, .172"

14 Pin, straight, dip solder, .250"



15 Pin, straight, flex circuit, .093"



31 Pin, right angle, dip solder, .109" x .020" dia

32 Pin, right angle, dip solder, .140" x .020" dia

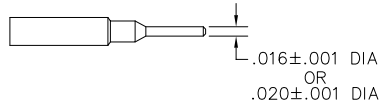
33 Pin, right angle, dip solder, .172" x .020" dia

34 Pin, right angle, dip solder, .109" x .016" dia

35 Pin, right angle, dip solder, .140" x .016" dia

36 Pin, right angle, dip solder, .172" x .016" dia

SOCKETS



20 Socket, straight, dip solder, .109" x .020" dia

21 Socket, straight, dip solder, .140" x .020" dia

22 Socket, straight, dip solder, .172" x .020" dia

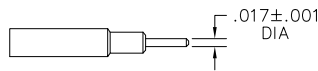
23 Socket, straight, dip solder, .250" x .020" dia

50 Socket, straight, dip solder, .140" x .016" dia

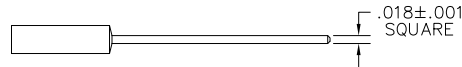
51 Socket, straight, dip solder, .172" x .016" dia



24 Socket, straight, solder cup



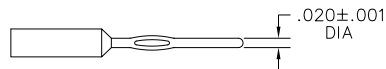
25 Socket, straight, flex circuit, .093"



26 Socket, straight, wire-wrap®, .500"

27 Socket, straight, wire-wrap®, .375"

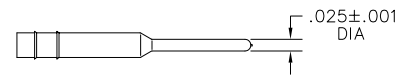
28 Socket, straight, wire-wrap®, .625"



64 Socket, straight, press-fit, .203" (Board: .093"-.125")

65 Socket, straight, press-fit, .323" (Board: .156"-.200")

66 Socket, straight, press-fit, .403" (Board: .250" or <)



53 Socket, straight, stackable, .212" (Board: .062")

54 Socket, straight, stackable, .244" (Board: .094")

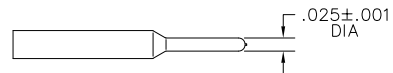
55 Socket, straight, stackable, .275" (Board: .125")



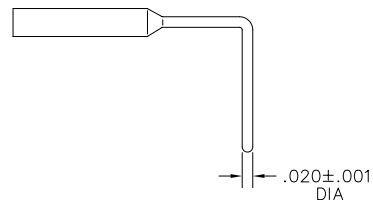
57 Socket, straight, crimp removable (20-22 awg)

58 Socket, straight, crimp removable (24-26 awg)

59 Socket, straight, crimp removable (28-30 awg)



29 Socket, connector saver, .150"



44 Socket, right angle, dip solder, .109"

45 Socket, right angle, dip solder, .140"

46 Socket, right angle, dip solder, .172"

47 Socket, right angle, dip solder, .250"

Military Cross Reference Chart

M55302/190, 191, 192, 193

Rows	Series & Body Type	Number of Contacts	Type of Terminal	Hardware
2	M55302/190L RM222	10, 20, 30, 40, 50, 60, 70, 80, 90, 100	Sockets	X = 5500
			A = 241	Y = 5501
			B = 201	F = 2900
3	M55302/192L RM322	122 152	Sockets	S = 5900
			D = 221	N = 7600
			E = 251	L = 5100
			F = 271	M = 6400
			G = 261	
2	M55302/191 RM252	10, 20, 30, 40, 50, 60, 70, 80, 90, 100	Pins	X = 5500
			A = 311	Y = 5501
			B = 321	F = 2900
3	M55302/193 RM352	122 152	Pins	S = 5900
			A = 311	N = 7600
			B = 321	L = 5100
			C = 331	M = 6400

Terminal Description Refer 190L, 192L

A = Solder cup
 B = Dip terminal, .109" long
 C = Dip terminal, .140" long
 D = Dip terminal, .172" long
 E = Flex circuit, .093" long
 F = Wire wrap®, .375" long
 G = Wire wrap®, .500 long

Hardware Description Refer 190L, 192L, 191, 193

Type X = Full round
 Type Y = "D-shaped"
 Type F = Fixed jackset
 Type S = Short turning hex jackset
 Type N = Turning hex jackset
 Type L = Turning slotted jackset
 Type M = Short turning slotted jackset

Refer 191, 193

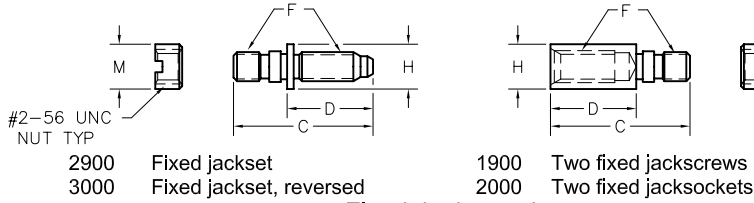
A = Dip terminal, .109" long
 B = Dip terminal, .140" long
 C = Dip terminal, .172" long

Examples: Mating Pair

Military AirBorn	M55302/190LC100X RM222-100-211-5500	Two row receptacle, .100 socket contacts with dip terminal, .140" long in a straight thru housing with mounting ears and full round guide set.
Military AirBorn	M55302/191A100X RM252-100-311-5500	Two row plug, 100 pin contacts with dip terminals, .109" long in a right angle housing with mounting ears and full round guide set.

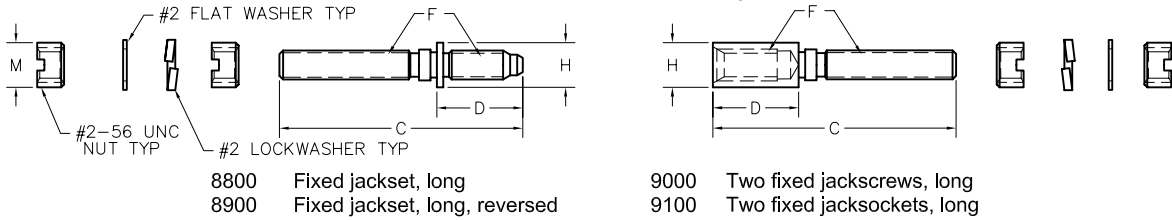
#2-56 Jacksets

Fixed Jacksets



2900 Fixed jackset
3000 Fixed jackset, reversed
1900 Two fixed jackscrews
2000 Two fixed jacksockets

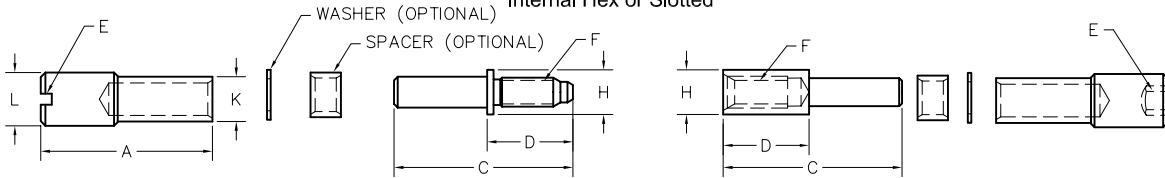
Fixed Jacksets, Long



8800 Fixed jackset, long
8900 Fixed jackset, long, reversed
9000 Two fixed jackscrews, long
9100 Two fixed jacksockets, long

Turning Jacksets

Internal Hex or Slotted



SLOTTED

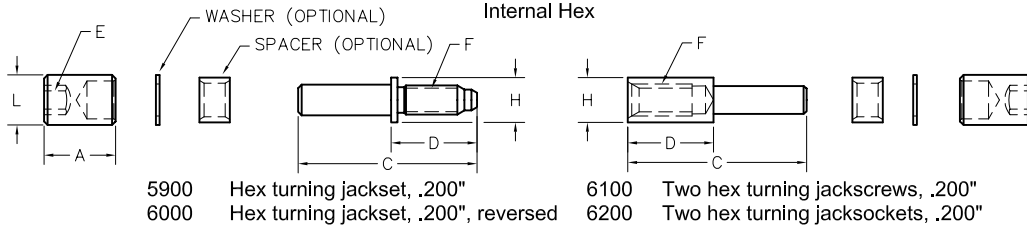
5100 Turning jackset, .700"
5200 Turning jackset, .700", reversed
5300 Two turning jackscrews, .700"
5400 Two turning jacksockets, .700"
6400 Turning jackset, .490"
6500 Turning jackset, .490", reversed
6600 Two turning jackscrews, .490"
6700 Two turning jacksockets, .490"
6800 Turning jackset, .545"
6900 Turning jackset, .545", reversed
7000 Two turning jackscrews, .545"
7100 Two turning jacksockets, .545"

HEX

7200 Hex turning jackset, .490"
7300 Hex turning jackset, .490", reversed
7400 Two hex turning jackscrews, .490"
7500 Two hex turning jacksockets, .490"
7600 Hex turning jackset, .545"
7700 Hex turning jackset, .545", reversed
7800 Two hex turning jackscrews, .545"
7900 Two hex turning jacksockets, .545"
8000 Hex turning jackset, .700"
8100 Hex turning jackset, .700", reversed
8200 Two hex turning jackscrews, .700"
8300 Two hex turning jacksockets, .700"

Low Profile Jacksets

Internal Hex



5900 Hex turning jackset, .200"
6000 Hex turning jackset, .200", reversed
6100 Two hex turning jackscrews, .200"
6200 Two hex turning jacksockets, .200"

Hardware Only

HARDWARE TYPE	PART NUMBER
1900	RM000-000-000-1900
2000	RM000-000-000-2000
2900 or 3000	RM000-000-000-2900 (or -3000)
5100 or 5200	RM000-000-000-5100 (or -5200)
5300	RM000-000-000-5300
5400	RM000-000-000-5400
5900 or 6000	RM000-000-000-5900 (or -6000)
6100	RM000-000-000-6100
6200	RM000-000-000-6200
6400 or 6500	RM000-000-000-6400 (or -6500)
6600	RM000-000-000-6600
6700	RM000-000-000-6700

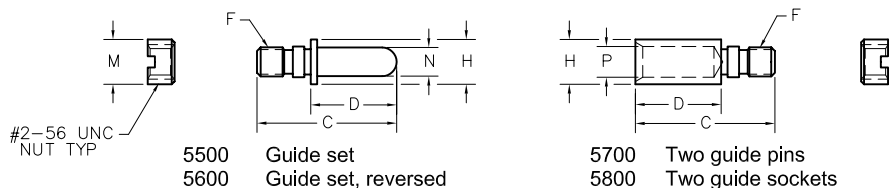
HARDWARE TYPE	PART NUMBER
6800 or 6900	RM000-000-000-6800 (or -6900)
7000	RM000-000-000-7000
7100	RM000-000-000-7100
7200 or 7300	RM000-000-000-7200 (or -7300)
7400	RM000-000-000-7400
7500	RM000-000-000-7500
7600 or 7700	RM000-000-000-7600 (or -7700)
7800	RM000-000-000-7800
7900	RM000-000-000-7900
8000 or 8100	RM000-000-000-8000 (or -8100)
8200	RM000-000-000-8200
8300	RM000-000-000-8300

Notes:

- For spanner nut wrench, order part number TN1680 (refer to page WA-9 in W-Series Catalog).
- When installing fixed jacksets, apply Loctite® to threads.

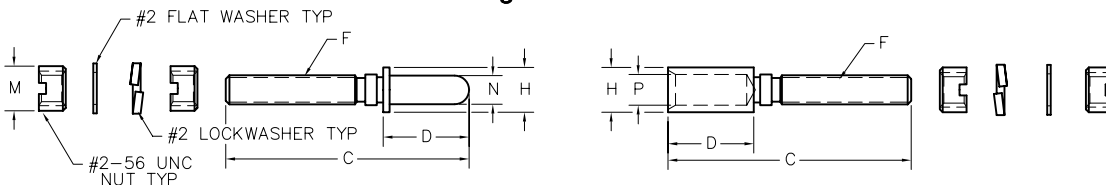
Guide Sets

Guide Sets



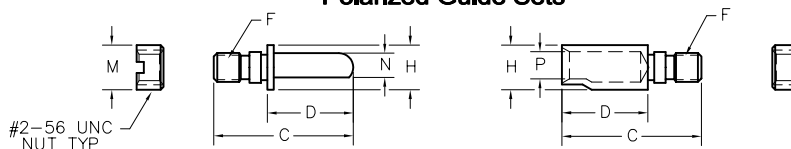
5500 Guide set
5600 Guide set, reversed
5700 Two guide pins
5800 Two guide sockets

Long Guide Sets



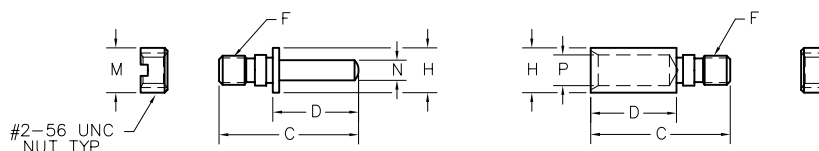
8400 Guide set, long
8500 Guide set, long, reversed
8600 Two guide pins, long
8700 Two guide sockets, long

Polarized Guide Sets



5501 thru 5564, & 5570
Note: For polarization options, see page R-38.

Universal Test Guide Sets



5565 thru 5568
Note: For polarization options, see page R-38.

DIMENSIONS														
HARDWARE TYPE	A	C	D	E	F	H	K	L	M	N	P			
1900/2000/2900/3000	—	.390	.240	—	#2-56 UNC TH'D	.125 DIA	—	—	.125 DIA	—	—			
5100 THRU 5400	.700	.750		.031 x .031 SLOT			—	.125 DIA	.156 DIA	—	—	—	—	
5500 THRU 5800	—	—		—			—	—	—	—	.080 DIA	.088 DIA	—	
5501 THRU 5564	—	.390		—			—	—	—	—	.125 DIA	.068	.076	
5565 THRU 5568	—	—		—			—	—	—	—	.056 SQ	.088 DIA	—	
5900 THRU 6200	.200	.500		5/64 INT HEX			—	—	.140 DIA	—	—	—	—	
6400 THRU 6700	.490	.750		.031 x .031 SLOT			—	—	—	—	—	—	—	
6800 THRU 7100	.545			—			—	—	—	—	—	—	—	
7200 THRU 7500	.490			—			5/64 INTERNAL HEX	—	—	.125 DIA	.156 DIA	—	—	—
7600 THRU 7900	.545			—			—	—	—	—	—	—	—	—
8000 THRU 8300	.700			—			—	—	—	—	—	—	—	—
8400 THRU 8700	—			.680			—	—	—	—	—	.125 DIA	.080 DIA	.088 DIA
8800 THRU 9100	—	—					—	—	—	—	—	—	—	

Hardware Only

HARDWARE TYPE	PART NUMBER
5500 or 5600	RM000-000-000-5500 (or -5600)
5501 - 5532	RM000-000-000-5501 (thru -5532)
5533 - 5548	RM000-000-000-5533 (thru -5548)
5549 - 5564	RM000-000-000-5549 (thru -5564)
5565 or 5566	RM000-000-000-5565 (or -5566)
5568	RM000-000-000-5568
5567	RM000-000-000-5567

HARDWARE TYPE	PART NUMBER
5570	RM000-000-000-5570
5700	RM000-000-000-5700
5800	RM000-000-000-5800
8400 or 8500	RM000-000-000-8400 (or -8500)
8600	RM000-000-000-8600
8700	RM000-000-000-8700

To order connector without hardware, place "-0256" in hardware designation area of catalog number

Example: RM322-152-221-0256

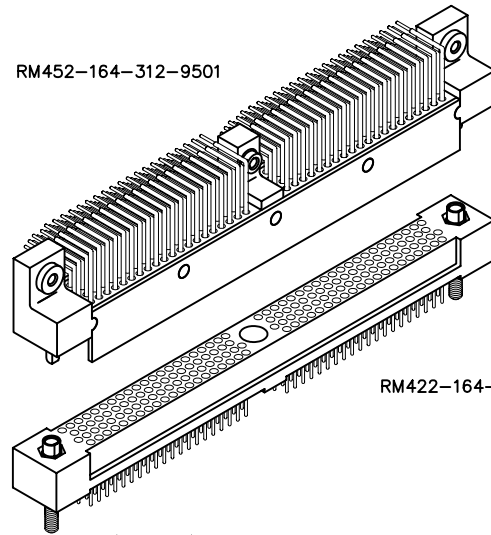
4 • ROW Daughterboard to Motherboard or Chassis

.075"

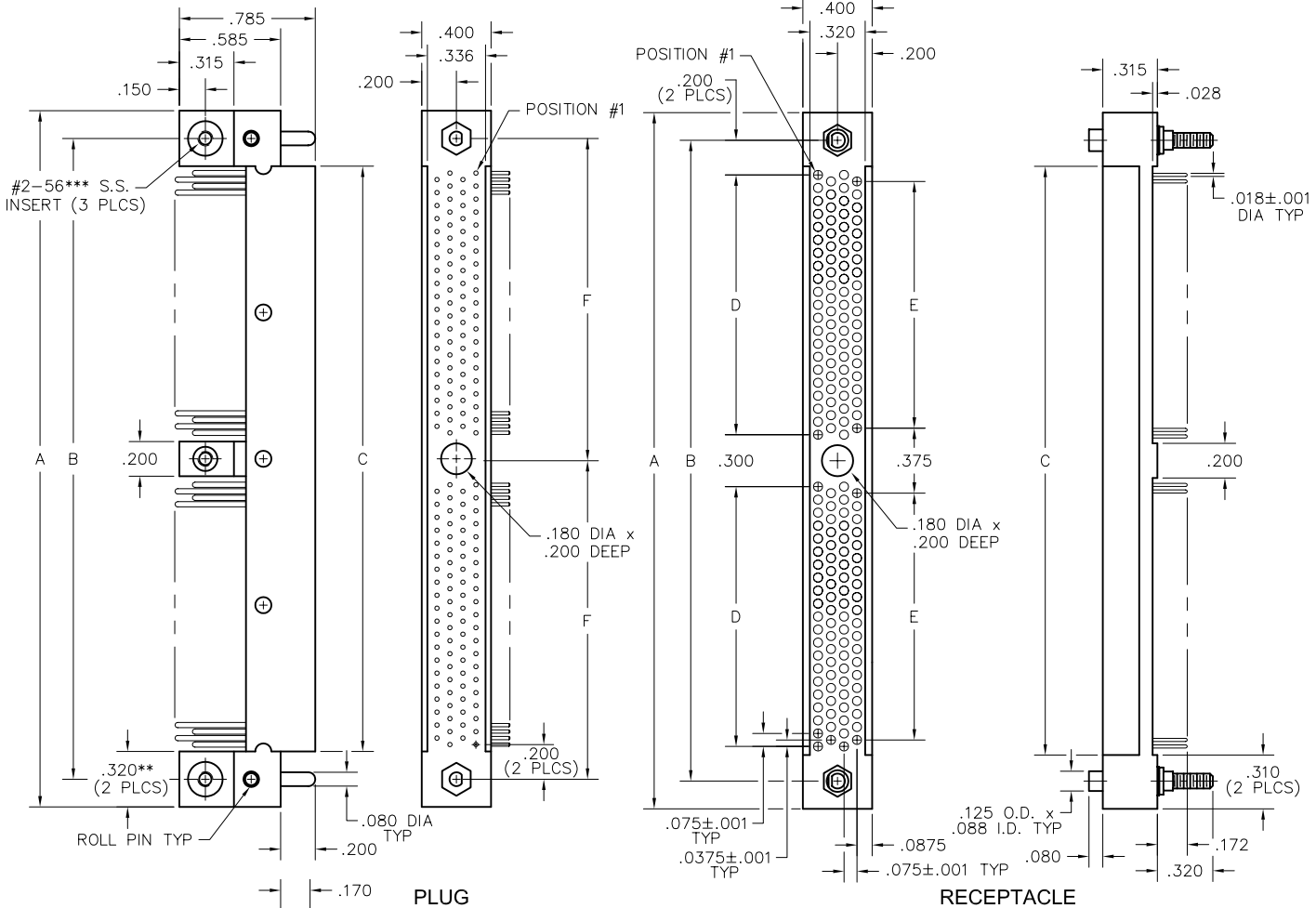
RM4

86 thru 404 Contacts

RM452-164-312-9501



RM422-164-832-9601



PLUG

RECEPTACLE

SIZE	DIMENSIONS							
	A		B	C		D	E	F
	PLUG	RCPT		PLUG	RCPT			
86*	2.255	2.295	1.975	1.655	1.675	1.575	1.500	-
110*	2.745	2.745	2.425	2.105	2.125	2.025	1.950	-
164	4.020	4.020	3.700	3.380	3.400	1.500	1.425	1.850
196	4.620	4.620	4.300	3.980	4.000	1.800	1.725	2.150
204	4.770	4.770	4.450	4.130	4.150	1.875	1.800	2.225
220	5.070	5.070	4.750	4.430	4.450	2.025	1.950	2.375
250*	5.370	5.370	5.050	4.730	4.750	4.650	4.575	-
276	6.120	6.120	5.800	5.480	5.500	2.550	2.475	2.900
300	6.570	6.570	6.250	5.930	5.950	2.775	2.700	3.125
404	8.520	8.520	8.200	7.880	7.900	3.750	3.675	4.100

NOTES:

* = Single section, no center mounting hole

** = .280" for 86 position

*** = #4-40 for 404 position

PLUG: RM452-164-312-9501
RECEPTACLE: RM422-164-832-9601
 XXXXX-XXX-XXX-XXXX

PLUG		RECEPTACLE	
SERIES			
RM .075" Screw Machine PC Connector		RM .075" Screw Machine PC Connector	
BODY			
4	4-Row	4	4-Row
BODY STYLE:		BODY STYLE:	
5	Plug, right angle, with mounting ears	2	Receptacle, straight, without mounting ears
BODY MATERIAL:		BODY MATERIAL:	
2	Polyphenylene sulfide (PPS)	2	Polyphenylene sulfide (PPS)
SIZE			
086, 110, 164, 196, 204, 220, 250, 276, 300, 404		086, 110, 164, 196, 204, 220, 250, 276, 300, 404	
CONTACTS			
TYPE CONTACTS/TERMINATIONS:		TYPE CONTACTS/TERMINATIONS:	
31	Pin, right angle, dip solder, .109" x .019" dia	75	Socket, straight, dip solder, .250" x .018" dia
32	Pin, right angle, dip solder, .140" x .019" dia	76	Socket, straight, solder cup
33	Pin, right angle, dip solder, .172" x .019" dia	77	Socket, straight, flex, .093" x .017" dia
34	Pin, right angle, dip solder, .250" x .019" dia	78	Socket, straight, wire wrap®, .500" x .018" sq
		79	Socket, straight, wire wrap®, .375" x .018" sq
		81	Socket, straight, dip solder, .109" x .018" dia
		82	Socket, straight, dip solder, .140" x .018" dia
		83	Socket, straight, dip solder, .172" x .018" dia
		87	Socket, straight, press-fit, .188" (Board: .093" - .125" thk)
		88	Socket, straight, press-fit, .308" (Board: .156" - .200" thk)
		89	Socket, straight, press-fit, .388" (Board: .250"+ thk)
PLATING OPTIONS:		PLATING OPTIONS:	
1	Gold plated termination	1	Gold plated termination
2	Pre-tinned termination, SnPb alloy <input checked="" type="checkbox"/>	2	Pre-tinned termination, SnPb alloy (dip solder options only) <input checked="" type="checkbox"/>
3	Pre-tinned termination, SAC305 alloy	3	Pre-tinned termination, SAC305 alloy (dip solder options only)
HARDWARE			
STYLE OF HARDWARE:		STYLE OF HARDWARE:	
0256	None	0256	None
83	Fixed jackset, reversed, installed	82	Hex turning jackset, reversed, installed, .200 knob
90	Guide pins, full round, installed	83	Fixed jackset, reversed, installed, #2-56 x .247" thd ext
93	Fixed jackset, installed	84	Fixed jackset, reversed, installed, #2-56 x .320" thd ext
95	Guide pins, polarized, unassembled	91	Guide sockets, full round, installed, #2-56 x .247" thd ext
9501 - 9536	Guide pins, polarized, installed	92	Hex turning jackset, installed, .200 knob
99	Guide pins, universal, installed	93	Fixed jackset, installed, #2-56 x .247" thd ext
		94	Fixed jackset, installed, #2-56 x .320" thd ext
		96	Guide sockets, polarized, unassembled, #2-56 x .320" thd ext
		9601 - 9636	Guide sockets, polarized, installed, #2-56 x .320" thd ext
		97	Guide sockets, polarized, unassembled, #2-56 x .247" thd ext
		9701 - 9736	Guide sockets, polarized, installed, #2-56 x .247" thd ext
		98	Guide sockets, universal, installed, #2-56 x .247" thd ext
POLARIZATION:		POLARIZATION	
00	None	00	None
01	thru 36 are special identifiers, see page R-57	01	thru 36 are special identifiers, see page R-57

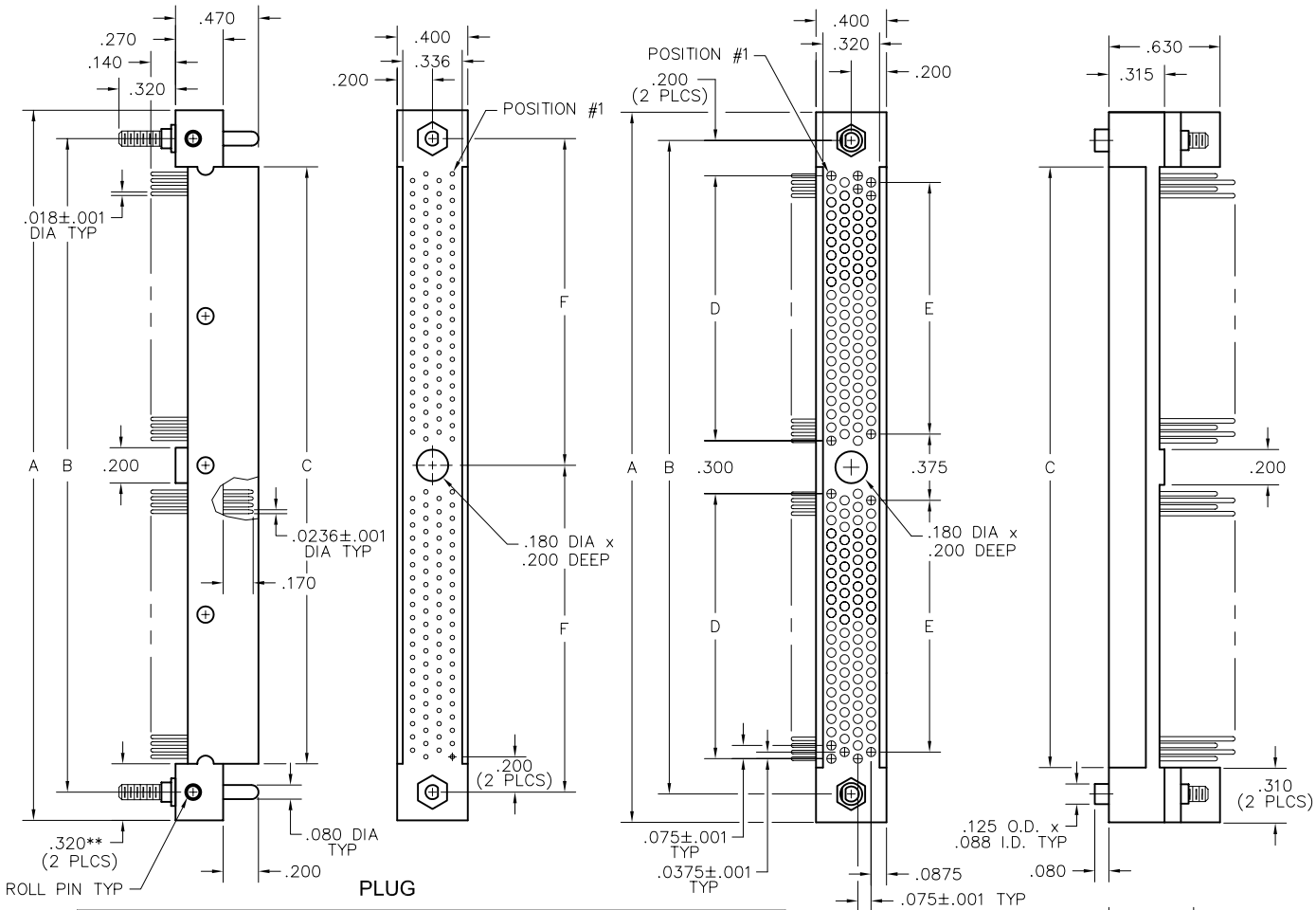
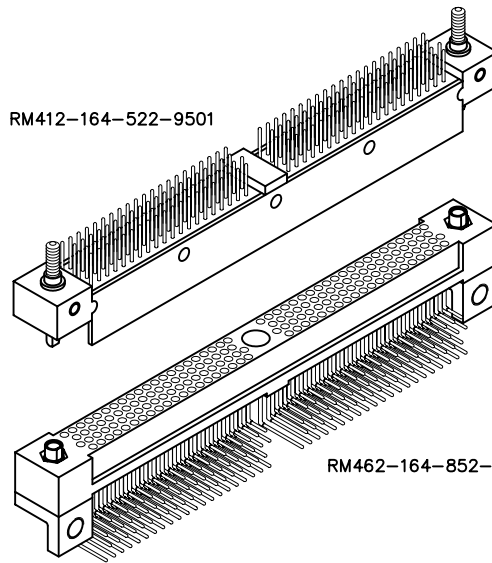
= Option not RoHS compliant

4 • ROW Motherboard or Chassis to Daughterboard

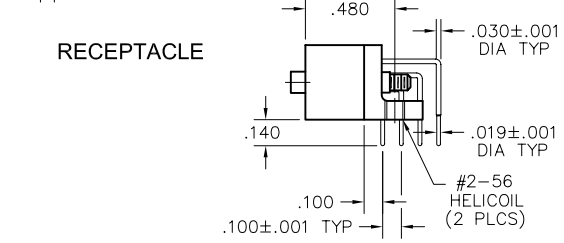
.075"

RM4

86 thru 404 Contacts



SIZE	A		B	C		D	E	F
	PLUG	RCPT		PLUG	RCPT			
86*	2.255	2.295	1.975	1.655	1.675	1.575	1.500	-
110*	2.745	2.745	2.425	2.105	2.125	2.025	1.950	-
164	4.020	4.020	3.700	3.380	3.400	1.500	1.425	1.850
196	4.620	4.620	4.300	3.980	4.000	1.800	1.725	2.150
204	4.770	4.770	4.450	4.130	4.150	1.875	1.800	2.225
220	5.070	5.070	4.750	4.430	4.450	2.025	1.950	2.375
250*	5.370	5.370	5.050	4.730	4.750	4.650	4.575	-
276	6.120	6.120	5.800	5.480	5.500	2.550	2.475	2.900
300	6.570	6.570	6.250	5.930	5.950	2.775	2.700	3.125
404	8.520	8.520	8.200	7.880	7.900	3.750	3.675	4.100



NOTES:
 * = Single section, no center mounting hole
 ** = .280" for 86 position

PLUG: RM412-164-522-9501
RECEPTACLE: RM462-164-852-9601
 XXXXX-XXX-XXX-XXXX

PLUG

RECEPTACLE

SERIES

RM .075" Screw Machine PC Connector | RM .075" Screw Machine PC Connector

BODY

4 4-Row | 4 4-Row

BODY STYLE:
 1 Plug, straight, without mounting ears | **BODY STYLE:**
 6 Receptacle, right angle, with mounting brackets

BODY MATERIAL:
 2 Polyphenylene sulfide (PPS) | **BODY MATERIAL:**
 2 Polyphenylene sulfide (PPS)

SIZE

086, 110, 164, 196, 204, 220, 250, 276, 300, 404 | 086, 110, 164, 196, 204, 220, 250, 276, 300, 404

CONTACTS

<p>TYPE CONTACTS/TERMINATIONS:</p> <p>17 Pin, straight, solder cup 40 Pin, straight, flex .093" x .017" dia 51 Pin, straight, dip solder, .109" x .018" dia 52 Pin, straight, dip solder, .140" x .018" dia 53 Pin, straight, dip solder, .172" x .018" dia 54 Pin, straight, dip solder, .250" x .018" dia</p>	<p>TYPE CONTACTS/TERMINATIONS:</p> <p>84 Socket, right angle, dip solder, .109" x .019" dia 85 Socket, right angle, dip solder, .140" x .019" dia 86 Socket, right angle, dip solder, .172" x .019" dia</p>
-----------------------------------------------------------------------------------------------------------------------------------------------------------------------------------------------------------------------------------------------------------------------------------------------------------------------------------------------------------------------------------------	----------------------------------------------------------------------------------------------------------------------------------------------------------------------------------------------------------------------------------------------

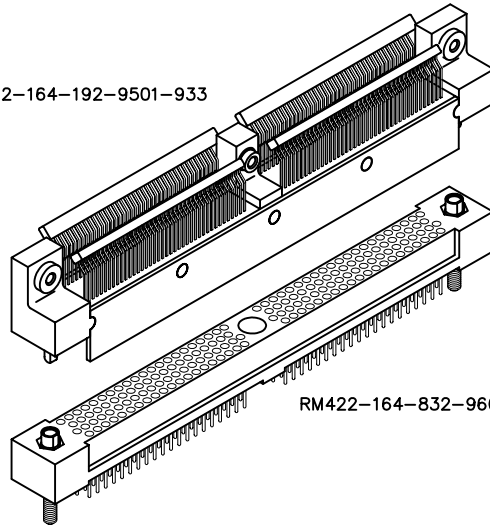
<p>PLATING OPTIONS:</p> <p>1 Gold plated termination 2 Pre-tinned termination, SnPb alloy (dip solder options only) <input checked="" type="checkbox"/> 3 Pre-tinned termination, SAC305 alloy (dip solder options only)</p>	<p>PLATING OPTIONS:</p> <p>1 Gold plated termination 2 Pre-tinned termination, SnPb alloy <input checked="" type="checkbox"/> 3 Pre-tinned termination, SAC305 alloy</p>
---------------------------------------------------------------------------------------------------------------------------------------------------------------------------------------------------------------------------------------------------------------	-----------------------------------------------------------------------------------------------------------------------------------------------------------------------------------------------------------

HARDWARE

<p>STYLE OF HARDWARE:</p> <p>0256 None 82 Hex turning jackset, reversed, installed, .200 knob 83 Fixed jackset, reversed, installed, #2-56 x .247" thd ext 84 Fixed jackset, reversed, installed, #2-56 x .320" thd ext 90 Guide pins, full round, installed, #2-56 x .320" thd ext 92 Hex turning jackset, installed, .200 knob 93 Fixed jackset, installed, #2-56 x .247" thd ext 94 Fixed jackset, installed, #2-56 x .320" thd ext 95 Guide pins, polarized, unassembled, #2-56 x .320" thd ext 9501 - 9536 Guide pins, polarized, installed, #2-56 x .320" thd ext 99 Guide pins, universal, installed #2-56 x .320" thd ext</p>	<p>STYLE OF HARDWARE:</p> <p>0256 None 82 Hex turning jackset, reversed, installed, .200 knob 83 Fixed jackset, reversed, installed 91 Guide sockets, full round, installed 92 Hex turning jackset, installed, .200 knob 93 Fixed jackset, installed 96 Guide sockets, polarized, unassembled 9601 - 9636 Guide sockets, polarized, installed 97 Guide sockets, polarized, unassembled 9701 - 9736 Guide sockets, polarized, installed 98 Guide sockets, universal, installed</p> <p>Note: Includes mounting bracket when right angle contacts are supplied</p>
--------------------------------------------------------------------------------------------------------------------------------------------------------------------------------------------------------------------------------------------------------------------------------------------------------------------------------------------------------------------------------------------------------------------------------------------------------------------------------------------------------------------------------------------------------------------------------------------------------------------------------------------------------------------------------------------------------------------------------------------------------------------------------	----------------------------------------------------------------------------------------------------------------------------------------------------------------------------------------------------------------------------------------------------------------------------------------------------------------------------------------------------------------------------------------------------------------------------------------------------------------------------------------------------------------------------------------------------------------------------------------------------------------------------------------------------------------------------------------------------------

<p>POLARIZATION:</p> <p>00 None 01 thru 36 are special identifiers, see page R-57</p>	<p>POLARIZATION</p> <p>00 None 01 thru 36 are special identifiers, see page R-57</p>
-----------------------------------------------------------------------------------------------------------	----------------------------------------------------------------------------------------------------------

= Option not RoHS compliant



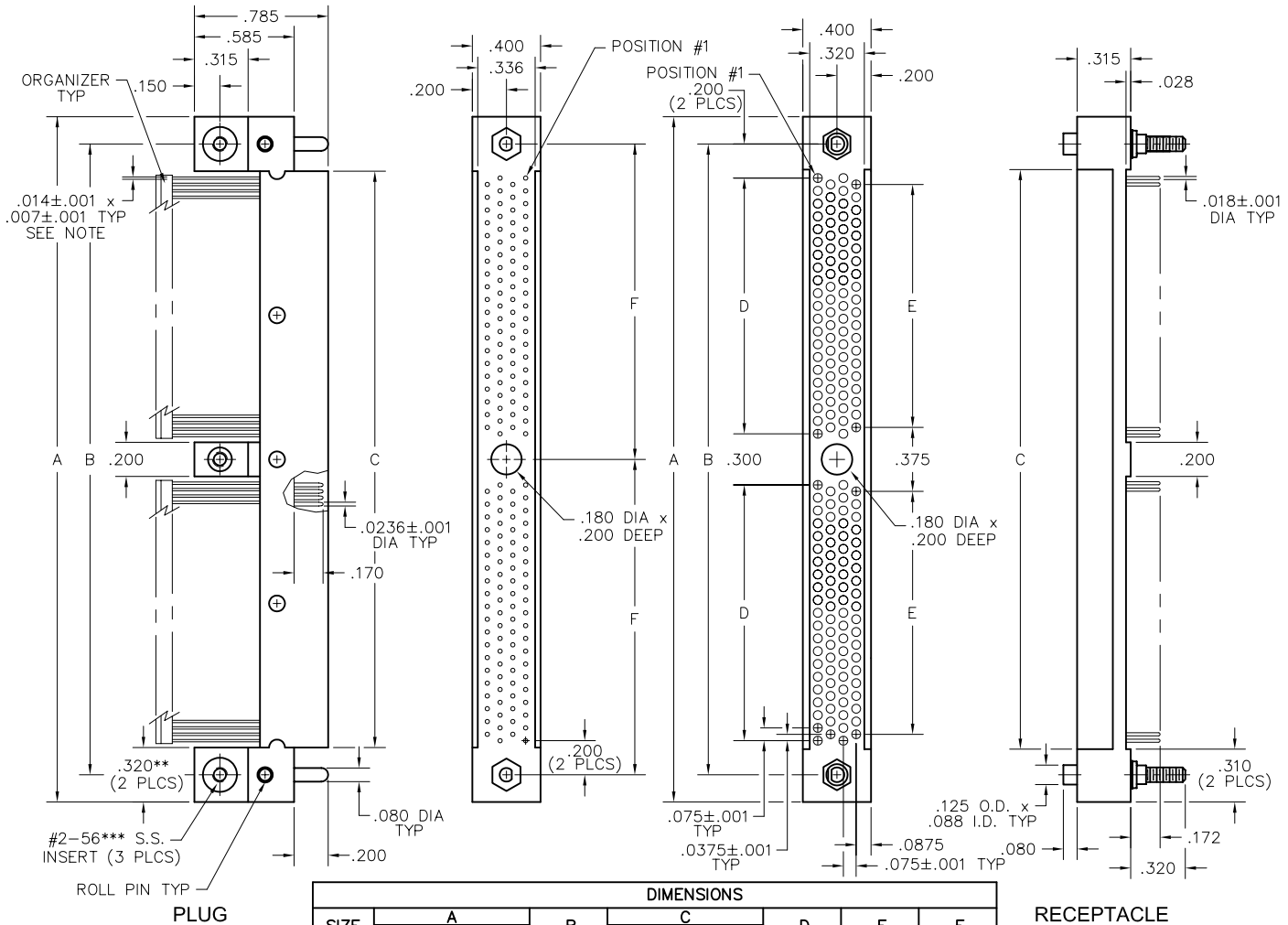
RM422-164-832-9601

4 • ROW Daughterboard to Motherboard or Chassis

.075"

RM4

86 thru 404 Contacts



SIZE	DIMENSIONS							
	A		B	C		D	E	F
	PLUG	RCPT		PLUG	RCPT			
86*	2.255	2.295	1.975	1.655	1.675	1.575	1.500	-
110*	2.745	2.745	2.425	2.105	2.125	2.025	1.950	-
164	4.020	4.020	3.700	3.380	3.400	1.500	1.425	1.850
196	4.620	4.620	4.300	3.980	4.000	1.800	1.725	2.150
204	4.770	4.770	4.450	4.130	4.150	1.875	1.800	2.225
220	5.070	5.070	4.750	4.430	4.450	2.025	1.950	2.375
250*	5.370	5.370	5.050	4.730	4.750	4.650	4.575	-
276	6.120	6.120	5.800	5.480	5.500	2.550	2.475	2.900
300	6.570	6.570	6.250	5.930	5.950	2.775	2.700	3.125
404	8.520	8.520	8.200	7.880	7.900	3.750	3.675	4.100

RECEPTACLE
NOTES:

- * = Single section, no center mounting hole.
- ** = .280" for 86 position
- *** = Insert is #4-40 for size 404.

Refer to SMT Configuration Chart (R-56) for available options.

PLUG: RM412-164-192-9501-933
RECEPTACLE: RM422-164-832-9601
 XXXXX-XXX-XXX-XXXX-XXX

PLUG

RECEPTACLE

SERIES

RM .075" Screw Machine PC Connector | RM .075" Screw Machine PC Connector

BODY

4	4-Row	4	4-Row
1	BODY STYLE: Plug, straight, with mounting ears	2	BODY STYLE: Receptacle, straight, without mounting ears
2	BODY MATERIAL: Polyphenylene sulfide (PPS)	2	BODY MATERIAL: Polyphenylene sulfide (PPS)

SIZE

086, 110, 164, 196, 204, 220, 250, 276, 300, 404 | 086, 110, 164, 196, 204, 220, 250, 276, 300, 404

CONTACTS

TYPE CONTACTS/TERMINATIONS:		TYPE CONTACTS/TERMINATIONS:	
19	Pin, SMT, .014" x .007" tail, scored for organizer removal (see R-56)	75	Socket, straight, dip solder, .250" x .018" dia
39	Pin, SMT, .014" x .007" tail, unscored	76	Socket, straight, solder cup
		77	Socket, straight, flex, .093" x .017" dia
		78	Socket, straight, wire wrap®, .500" x .018" sq
		79	Socket, straight, wire wrap®, .375" x .018" sq
		81	Socket, straight, dip solder, .109" x .018" dia
		82	Socket, straight, dip solder, .140" x .018" dia
		83	Socket, straight, dip solder, .172" x .018" dia
		87	Socket, straight, press-fit, .188" (Board: .093" - .125" thk)
		88	Socket, straight, press-fit, .308" (Board: .156" - .200" thk)
		89	Socket, straight, press-fit, .388" (Board: .250"+ thk)

PLATING OPTIONS:		PLATING OPTIONS:	
2	Pre-tinned termination, SnPb alloy <input checked="" type="checkbox"/>	1	Gold plated termination
3	Pre-tinned termination, SAC305 alloy	2	Pre-tinned termination, SnPb alloy (dip solder options only) <input checked="" type="checkbox"/>
		3	Pre-tinned termination, SAC305 alloy (dip solder options only)

HARDWARE

STYLE OF HARDWARE:		STYLE OF HARDWARE:	
0256	None	0256	None
83	Fixed jackset, reversed, installed	82	Hex turning jackset, reversed, installed, .200 knob
90	Guide pins, full round, installed	83	Fixed jackset, reversed, installed, #2-56 x .247" thd ext
93	Fixed jackset, installed	84	Fixed jackset, reversed, installed, #2-56 x .320" thd ext
95	Guide pins, polarized, unassembled	91	Guide sockets, full round, installed, #2-56 x .247" thd ext
9501 - 9536	Guide pins, polarized, installed	92	Hex turning jackset, installed, .200 knob
99	Guide pins, universal, installed	93	Fixed jackset, installed, #2-56 x .247" thd ext
		94	Fixed jackset, installed, #2-56 x .320" thd ext
		96	Guide sockets, polarized, unassembled, #2-56 x .320" thd ext
		9601 - 9636	Guide sockets, polarized, installed, #2-56 x .320" thd ext
		97	Guide sockets, polarized, unassembled, #2-56 x .247" thd ext
		9701 - 9736	Guide sockets, polarized, installed, #2-56 x .247" thd ext
		98	Guide sockets, universal, installed, #2-56 x .247" thd ext

POLARIZATION:		POLARIZATION	
00	None	00	None
01	thru 36 are special identifiers, see page R-57	01	thru 36 are special identifiers, see page R-57

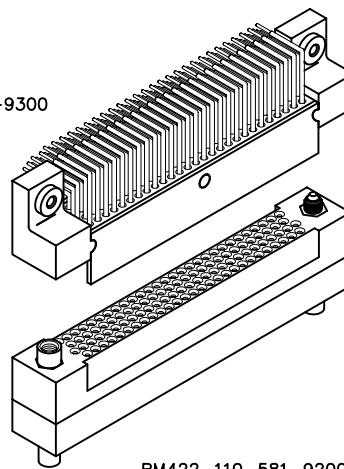
OPTIONS

9XX SMT configuration code, see page R-56

= Option not RoHS compliant



RM452-110-312-9300



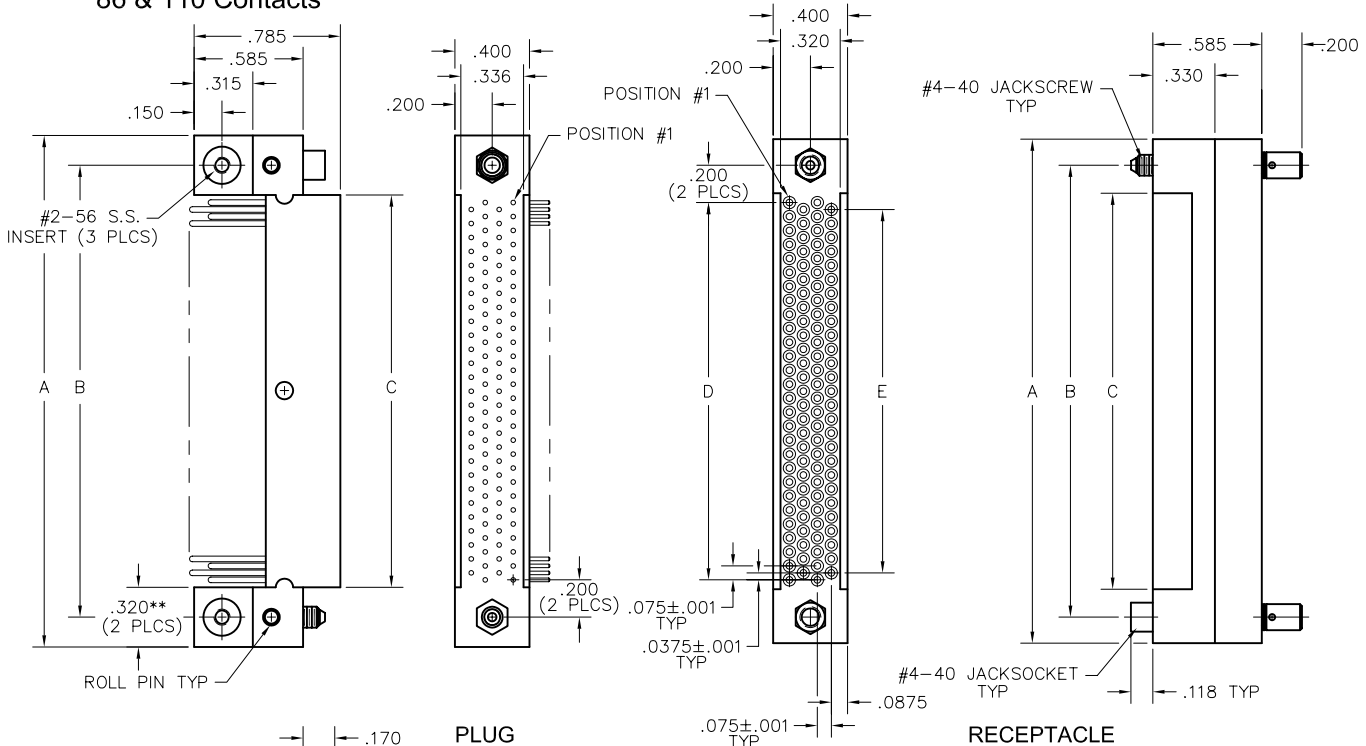
RM422-110-581-9200

4 • ROW Cable or Board to Crimp Removable

.075"

RM4

86 & 110 Contacts

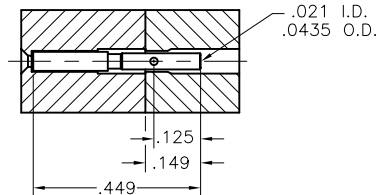
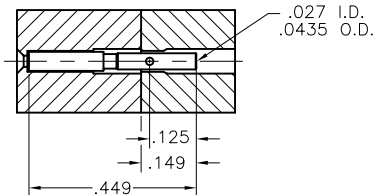
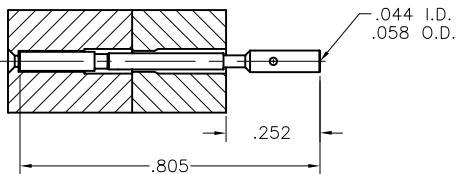


NOTES:

* = Single section, no center mounting hole.

** = .280" for 86 position

When using crimp contacts with 20 gage barrel, barrel must be cut off prior to removing contact from connector body.



CRIMP REMOVABLE CONTACTS	
SIZE	PART NUMBER
20-22 AWG	RM400-000-571-0000
24-26 AWG	RM400-000-581-0000
28-30 AWG	RM400-000-591-0000

SIZE	DIMENSIONS					
	A	B	C		D	E
			PLUG	RCPT		
86*	2.255	1.975	1.655	1.675	1.575	1.500
110*	2.745	2.425	2.105	2.125	2.025	1.950

PLUG: RM452-110-312-9300
RECEPTACLE: RM422-110-581-9200
 XXXXX-XXX-XXX-XXXX

PLUG		RECEPTACLE	
SERIES			
RM .075" Screw Machine PC Connector		RM .075" Screw Machine PC Connector	
BODY			
4	4-Row	4	4-Row
5	BODY STYLE: Plug, right angle, with mounting ears	2	BODY STYLE: Receptacle, straight, without mounting ears
2	BODY MATERIAL: Polyphenylene sulfide (PPS)	2	BODY MATERIAL: Polyphenylene sulfide (PPS)
SIZE			
086, 110		086, 110	
CONTACTS			
TYPE CONTACTS/TERMINATIONS:		TYPE CONTACTS/TERMINATIONS:	
31	Pin, right angle, dip solder, .109" x .019" dia	00	Contacts not supplied
32	Pin, right angle, dip solder, .140" x .019" dia	57	Socket, straight, crimp removable (20-22 AWG)*
33	Pin, right angle, dip solder, .172" x .019" dia	58	Socket, straight, crimp removable (24-26 AWG)*
34	Pin, right angle, dip solder, .250" x .019" dia	59	Socket, straight, crimp removable (28-30 AWG)*
PLATING OPTIONS:		PLATING OPTIONS:	
1	Gold plated termination	0	No plating (use with Contact Option "00" only)
2	Pre-tinned termination, SnPb alloy <input checked="" type="checkbox"/>	1	Gold plated termination
3	Pre-tinned termination, SAC305 alloy		
HARDWARE			
STYLE OF HARDWARE:		STYLE OF HARDWARE:	
0256	None	0256	None
83	Fixed jackset, reversed, installed	82	Hex turning jackset, reversed, installed, .200 knob
90	Guide pins, full round, installed	91	Guide sockets, full round, installed
93	Fixed jackset, installed	92	Hex turning jackset, installed, .200" knob
95	Guide pins, polarized, unassembled	96	Guide sockets, polarized, unassembled
9501 - 9536	Guide pins, polarized, installed	9601 - 9636	Guide sockets, polarized, installed
99	Guide pins, universal, installed	98	Guide sockets, universal, installed
POLARIZATION:		POLARIZATION	
00	None	00	None
01	thru 36 are special identifiers, see page R-57	01	thru 36 are special identifiers, see page R-57

- * Full compliment of crimp removable sockets packaged with connectors
1. Crimp tool - AirBorn part number: CDG4601, Mil Spec number M22520/2-01
 2. Crimp positioner - AirBorn part number: CDG4602 (24-26 AWG and 28-30 AWG)
CDG4603 (20-22 AWG)
 3. Crimp removal tool - AirBorn part number: CDG8161 (All AWGs)
 4. Crimp contact part number on previous page.

= Option not RoHS compliant

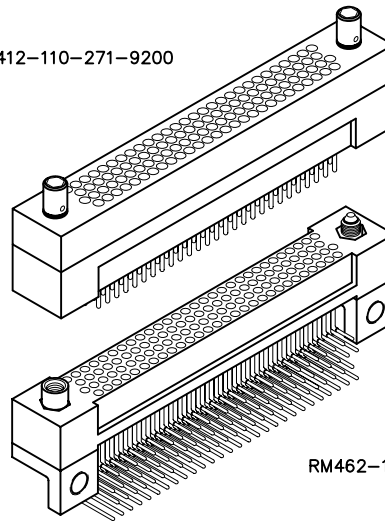
4 • ROW Crimp Removable to Board

.075"

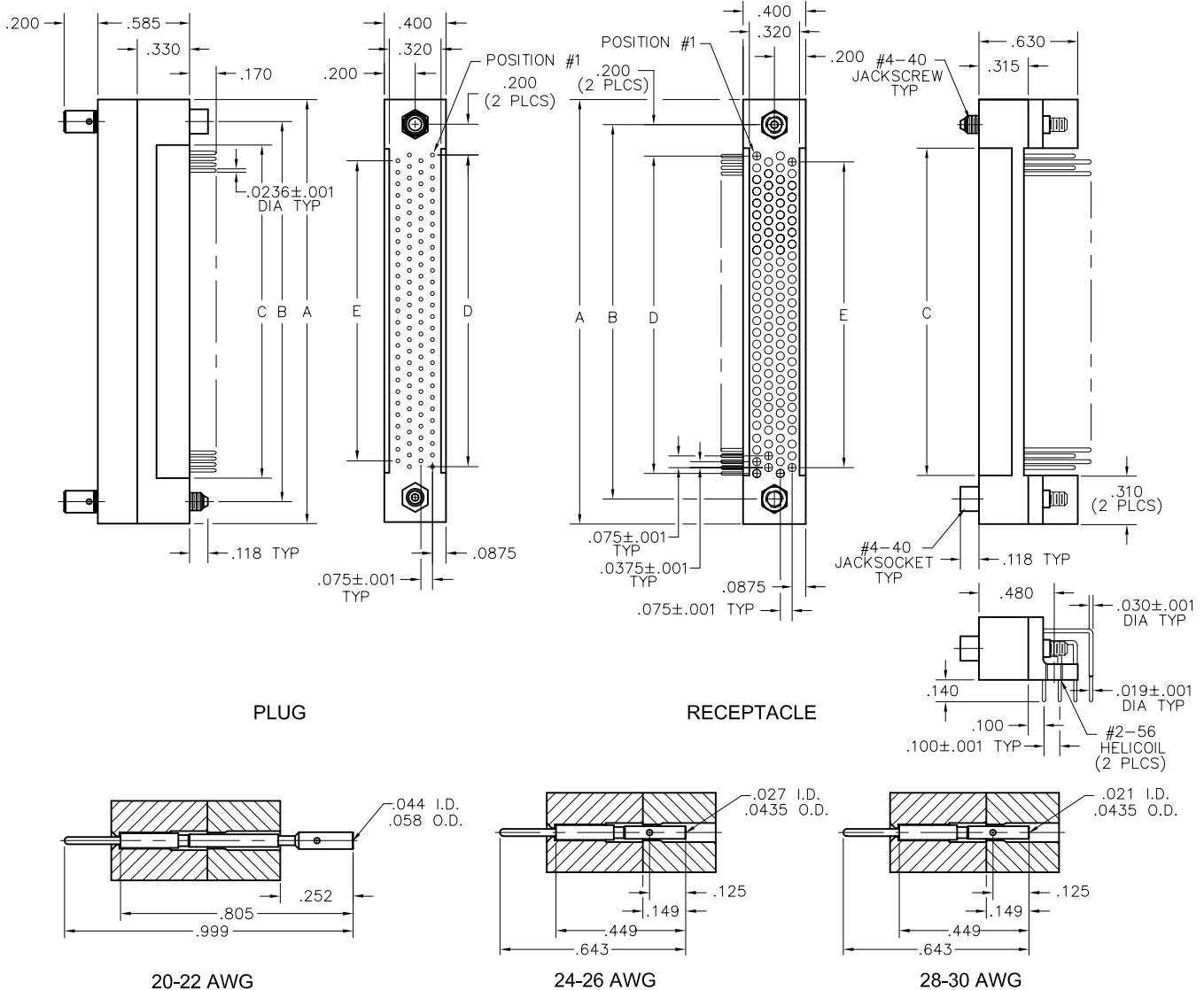
RM4

86 & 110 Contacts

RM412-110-271-9200



RM462-110-852-9300



CRIMP REMOVABLE CONTACTS	
SIZE	PART NUMBER
20-22 AWG	RM400-000-261-0000
24-26 AWG	RM400-000-271-0000
28-30 AWG	RM400-000-281-0000

SIZE	DIMENSIONS		C		D	E
	A	B	PLUG	RCPT		
86	2.255	1.975	1.655	1.675	1.575	1.500
110	2.745	2.425	2.105	2.125	2.025	1.950

PLUG: RM412-110-271-9200
RECEPTACLE: RM462-110-852-9300
 XXXXX-XXX-XXX-XXXX

PLUG

RECEPTACLE

SERIES

RM .075" Screw Machine PC Connector | RM .075" Screw Machine PC Connector

BODY

4 4-Row | 4 4-Row

BODY STYLE:
 1 Plug, straight, without mounting ears | 6 Receptacle, right angle, with mounting ears

BODY MATERIAL:
 2 Polyphenylene sulfide (PPS) | 2 Polyphenylene sulfide (PPS)

SIZE

086, 110 | 086, 110

CONTACTS

<p>TYPE CONTACTS/TERMINATIONS: 00 Contacts not supplied 26 Pin, straight, crimp removable (20-22 AWG)* 27 Pin, straight, crimp removable (24-26 AWG)* 28 Pin, straight, crimp removable (28-30 AWG)*</p>	<p>TYPE CONTACTS/TERMINATIONS: 84 Socket, right angle, dip solder, .109" x .019" dia 85 Socket, right angle, dip solder, .140" x .019" dia 86 Socket, right angle, dip solder, .172" x .019" dia</p>
---------------------------------------------------------------------------------------------------------------------------------------------------------------------------------------------------------------------------------------------------------------------	----------------------------------------------------------------------------------------------------------------------------------------------------------------------------------------------------------------------------------------------------

<p>PLATING OPTIONS: 0 No plating (use with Contact Option "00" only) 1 Gold plated termination</p>	<p>PLATING OPTIONS: 1 Gold plated termination 2 Pre-tinned termination, SnPb alloy <input checked="" type="checkbox"/> 3 Pre-tinned termination, SAC305 alloy</p>
-------------------------------------------------------------------------------------------------------------------------------------	-----------------------------------------------------------------------------------------------------------------------------------------------------------------------------------------------------------------

HARDWARE

<p>STYLE OF HARDWARE: 0256 None 82 Hex turning jackset, reversed, installed, .200" knob 83 Fixed jackset, reversed, installed, 90 Guide pins, full round, installed 92 Hex turning jackset, installed, .200" knob 93 Fixed jackset, installed 95 Guide pins, polarized, unassembled 9501 - 9536 Guide pins, polarized, installed 99 Guide pins, universal, installed</p>	<p>STYLE OF HARDWARE: 0256 None 82 Hex turning jackset, reversed, installed, .200 knob 83 Fixed jackset, reversed, installed, #2-56 x .247 thd ext 84 Fixed jackset, reversed, installed, #2-56 x .320 thd ext 91 Guide sockets, full round, installed, #2-56 x .247" thd ext 92 Hex turning jackset, installed, .200 knob 93 Fixed jackset, installed, #2-56 x .247" thd ext 94 Fixed jackset, installed, #2-56 x .320" thd ext 96 Guide sockets, polarized, unassembled, #2-56 x .320" thd ext 9601 - 9636 Guide sockets, polarized, installed, #2-56 x .320" thd ext 97 Guide sockets, polarized, unassembled, #2-56 x .247" thd ext 9701 - 9736 Guide sockets, polarized, installed, #2-56 x .247" thd ext 98 Guide sockets, universal, installed, #2-56 x .247" thd ext</p> <p>Note: Includes mounting bracket when right angle contacts are supplied</p>
------------------------------------------------------------------------------------------------------------------------------------------------------------------------------------------------------------------------------------------------------------------------------------------------------------------------------------------------------------------------------------------------------------------------------------------------------------------------------------------------------	------------------------------------------------------------------------------------------------------------------------------------------------------------------------------------------------------------------------------------------------------------------------------------------------------------------------------------------------------------------------------------------------------------------------------------------------------------------------------------------------------------------------------------------------------------------------------------------------------------------------------------------------------------------------------------------------------------------------------------------------------------------------------------------------------------------------------------------------------------------------------------------------------------------------------------------------------------------------------------------------------------------------------------------------

<p>POLARIZATION: 00 None 01 thru 36 are special identifiers, see page R-57</p>	<p>POLARIZATION 00 None 01 thru 36 are special identifiers, see page R-57</p>
-----------------------------------------------------------------------------------------------------------------	----------------------------------------------------------------------------------------------------------------

- * Full compliment of crimp removable sockets packaged with connectors
1. Crimp tool - AirBorn part number: CDG4601, Mil Spec number M22520/2-01
 2. Crimp positioner - AirBorn part number: CDG4602 (24-26 AWG and 28-30 AWG)
 CDG4603 (20-22 AWG)
 3. Crimp removal tool - AirBorn part number: CDG8161 (All AWGs)
 4. Crimp contact part number on previous page.

= Option not RoHS compliant

4 • ROW

Right Angle PTH Plug

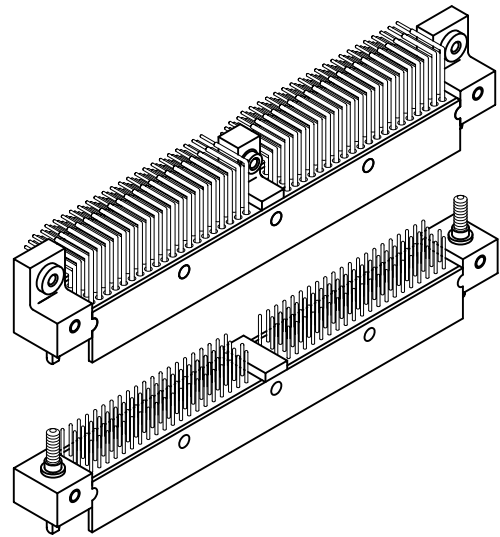
Straight PTH Plug

.075"

RM4

86 thru 404 Contacts
Recommended
Board Layout

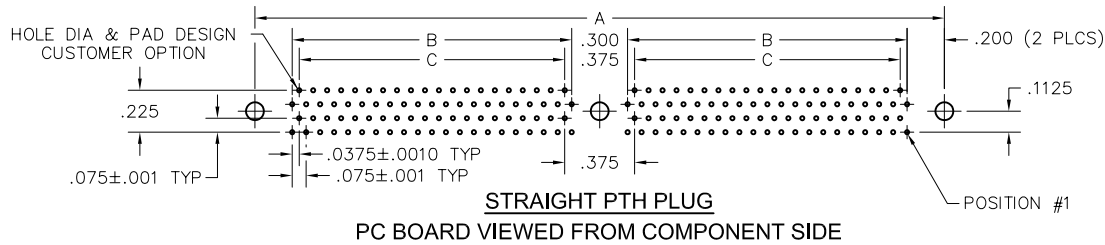
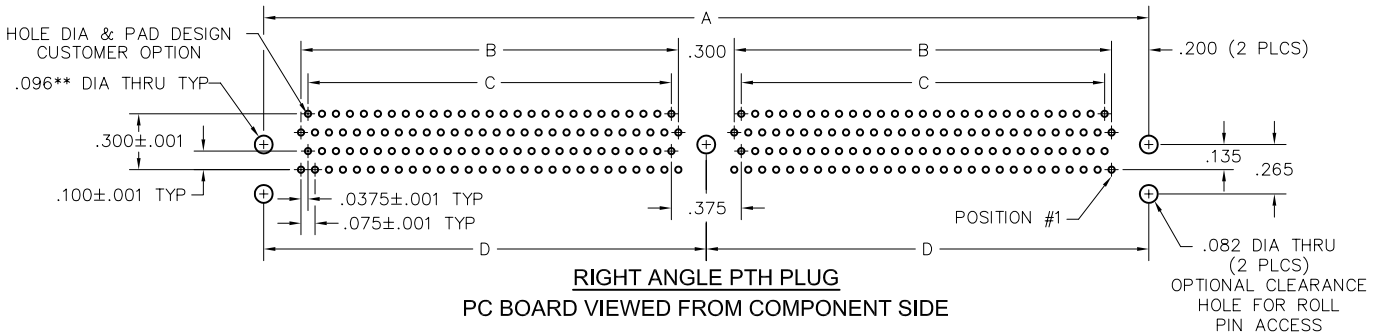
DIMENSIONS				
SIZE	A	B	C	D
86*	1.975	1.575	1.500	—
110*	2.425	2.025	1.950	—
164	3.700	1.500	1.425	1.850
196	4.300	1.800	1.725	2.150
204	4.450	1.875	1.800	2.225
220	4.750	2.025	1.950	2.375
250*	5.050	4.650	4.575	—
276	5.800	2.550	2.475	2.900
300	6.250	2.775	2.700	3.125
404	8.200	3.750	3.675	4.100



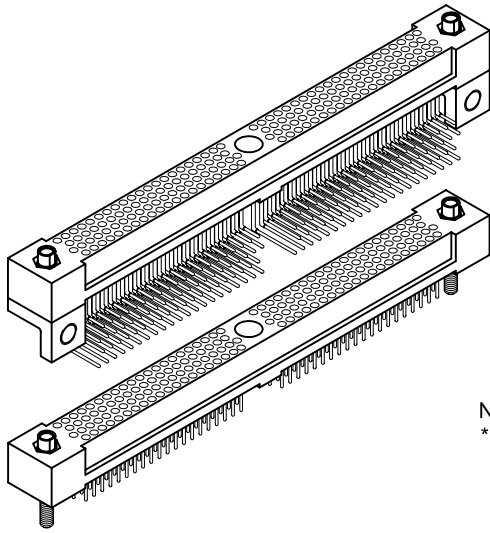
NOTES:

* = Single section, no center mounting hole

** = .125 dia thru holes, size 404



SIZE	CONTACT ID				SIZE	CONTACT ID																					
86*	86	85	84	68	67	66	196	195	194	193	192	191	169	168	167												
	65	64	63	46	45	44	141	140	139	138	137	136	113	112	111												
	43	42	41	25	24	23	86	85	84	83	82	81	59	58	57												
110*	110	109	108	86	85	84	250	249	248	191	190	189	3	2	1												
	83	82	81	58	57	56	188	187	186	128	127	126	66	65	64												
	55	54	53	31	30	29	125	124	123	66	65	64	3	2	1												
164	164	163	162	147	146	145	144	143	142	127	126	125	276	275	274	245	244	243	242	241	240	211	210	209			
	124	123	122	106	105	104	103	102	101	85	84	83	208	207	206	176	175	174	173	172	171	104	103	102	73	72	71
	82	81	80	65	64	63	62	61	60	45	44	43	138	137	136	107	106	105	38	37	36	35	34	33	3	2	1
196	196	195	194	175	174	173	172	171	170	151	150	149	500	299	298	266	265	264	263	262	261	229	228	227			
	148	147	146	126	125	124	123	122	121	101	100	99	226	225	224	191	190	189	188	187	186	153	152	151			
	98	97	96	77	76	75	74	73	72	53	52	51	150	149	148	116	115	114	113	112	111	79	78	77			
204	204	203	202	182	181	180	179	178	177	157	156	155	509	307	306	508	306	304	502	300	298	208	206	204			
	154	153	152	131	130	129	128	127	126	105	104	103	404	402	400	508	306	304	503	301	299	100	98	96			
	102	101	100	80	79	78	77	76	75	55	54	53	201	199	197	107	105	103	106	104	102	101	99	97			
204	52	51	50	29	28	27	26	25	24	3	2	1	202	200	198	106	104	102	101	99	97	6	4	2			
	403	401	399	509	307	306	508	306	304	502	300	298	208	206	204	100	98	96	101	99	97	5	3	1			
	404	402	400	508	306	304	507	305	303	503	301	299	207	205	203	100	98	96	101	99	97	6	4	2			



DIMENSIONS			
SIZE	A	B	C
86*	1.975	1.575	1.500
110*	2.425	2.025	1.950
164	3.700	1.500	1.425
196	4.300	1.800	1.725
204	4.450	1.875	1.800
220	4.750	2.025	1.950
250*	5.050	4.650	4.575
276	5.800	2.550	2.475
300	6.250	2.775	2.700
404	8.200	3.750	3.675

4 • ROW

Right Angle PTH Rcpt

Straight PTH Rcpt

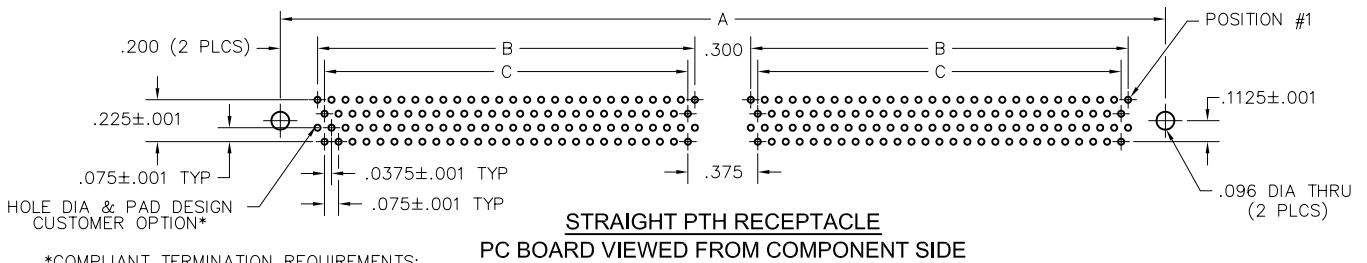
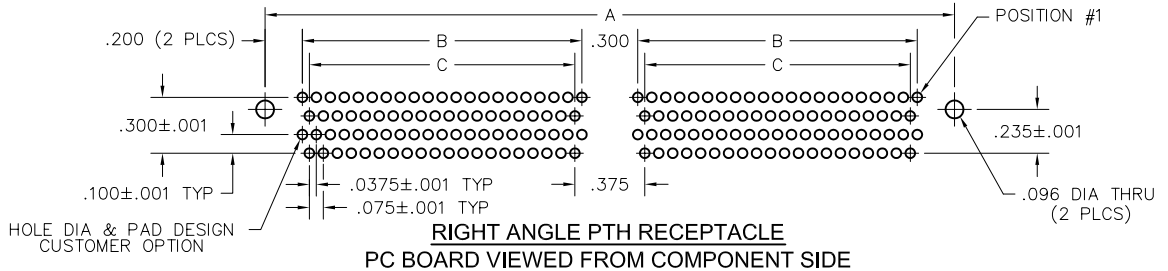
.075"

RM4

86 thru 404 Contacts

Recommended Board Layout

NOTES:
* = Single section, no center mounting hole



*COMPLIANT TERMINATION REQUIREMENTS:
Board Material: FR-4 w/ 1.0 oz. copper
Minimum nominal board thickness: .062"
Drilled hole: .0319"-.0339"
Copper plating thickness: .0010" minimum
Tin-lead plating thickness: .0006" maximum
Electroplated tin-lead composition: 63/37 (Sn/Pb)
Finished hole diameter: .028"±.002"

SIZE	CONTACT ID	SIZE	CONTACT ID																																																																																																
86*	<table border="0"> <tr><td>22</td><td>21</td><td>20</td><td>3</td><td>2</td><td>1</td></tr> <tr><td>43</td><td>42</td><td>41</td><td>25</td><td>24</td><td>23</td></tr> <tr><td>65</td><td>64</td><td>63</td><td>46</td><td>45</td><td>44</td></tr> <tr><td>86</td><td>85</td><td>84</td><td>68</td><td>67</td><td>66</td></tr> </table>	22	21	20	3	2	1	43	42	41	25	24	23	65	64	63	46	45	44	86	85	84	68	67	66	220	<table border="0"> <tr><td>56</td><td>55</td><td>54</td><td>31</td><td>30</td><td>29</td><td>28</td><td>27</td><td>26</td><td>3</td><td>2</td><td>1</td></tr> <tr><td>110</td><td>109</td><td>108</td><td>86</td><td>85</td><td>84</td><td>83</td><td>82</td><td>81</td><td>59</td><td>58</td><td>57</td></tr> <tr><td>166</td><td>165</td><td>164</td><td>141</td><td>140</td><td>139</td><td>138</td><td>137</td><td>136</td><td>113</td><td>112</td><td>111</td></tr> <tr><td>220</td><td>219</td><td>218</td><td>196</td><td>195</td><td>194</td><td>193</td><td>192</td><td>191</td><td>169</td><td>168</td><td>167</td></tr> </table>	56	55	54	31	30	29	28	27	26	3	2	1	110	109	108	86	85	84	83	82	81	59	58	57	166	165	164	141	140	139	138	137	136	113	112	111	220	219	218	196	195	194	193	192	191	169	168	167																								
	22	21	20	3	2	1																																																																																													
43	42	41	25	24	23																																																																																														
65	64	63	46	45	44																																																																																														
86	85	84	68	67	66																																																																																														
56	55	54	31	30	29	28	27	26	3	2	1																																																																																								
110	109	108	86	85	84	83	82	81	59	58	57																																																																																								
166	165	164	141	140	139	138	137	136	113	112	111																																																																																								
220	219	218	196	195	194	193	192	191	169	168	167																																																																																								
110*	<table border="0"> <tr><td>28</td><td>27</td><td>26</td><td>3</td><td>2</td><td>1</td></tr> <tr><td>55</td><td>54</td><td>53</td><td>31</td><td>30</td><td>29</td></tr> <tr><td>83</td><td>82</td><td>81</td><td>58</td><td>57</td><td>56</td></tr> <tr><td>110</td><td>109</td><td>108</td><td>86</td><td>85</td><td>84</td></tr> </table>	28	27	26	3	2	1	55	54	53	31	30	29	83	82	81	58	57	56	110	109	108	86	85	84	250*	<table border="0"> <tr><td>63</td><td>62</td><td>61</td><td>3</td><td>2</td><td>1</td></tr> <tr><td>125</td><td>124</td><td>123</td><td>66</td><td>65</td><td>64</td></tr> <tr><td>188</td><td>187</td><td>186</td><td>128</td><td>127</td><td>126</td></tr> <tr><td>250</td><td>249</td><td>248</td><td>191</td><td>190</td><td>189</td></tr> </table>	63	62	61	3	2	1	125	124	123	66	65	64	188	187	186	128	127	126	250	249	248	191	190	189																																																
	28	27	26	3	2	1																																																																																													
55	54	53	31	30	29																																																																																														
83	82	81	58	57	56																																																																																														
110	109	108	86	85	84																																																																																														
63	62	61	3	2	1																																																																																														
125	124	123	66	65	64																																																																																														
188	187	186	128	127	126																																																																																														
250	249	248	191	190	189																																																																																														
164	<table border="0"> <tr><td>42</td><td>41</td><td>40</td><td>24</td><td>23</td><td>22</td><td>21</td><td>20</td><td>19</td><td>3</td><td>2</td><td>1</td></tr> <tr><td>82</td><td>81</td><td>80</td><td>65</td><td>64</td><td>63</td><td>62</td><td>61</td><td>60</td><td>45</td><td>44</td><td>43</td></tr> <tr><td>124</td><td>123</td><td>122</td><td>106</td><td>105</td><td>104</td><td>103</td><td>102</td><td>101</td><td>85</td><td>84</td><td>83</td></tr> <tr><td>164</td><td>163</td><td>162</td><td>147</td><td>146</td><td>145</td><td>144</td><td>143</td><td>142</td><td>127</td><td>126</td><td>125</td></tr> </table>	42	41	40	24	23	22	21	20	19	3	2	1	82	81	80	65	64	63	62	61	60	45	44	43	124	123	122	106	105	104	103	102	101	85	84	83	164	163	162	147	146	145	144	143	142	127	126	125	276	<table border="0"> <tr><td>70</td><td>69</td><td>68</td><td>38</td><td>37</td><td>36</td><td>35</td><td>34</td><td>33</td><td>3</td><td>2</td><td>1</td></tr> <tr><td>138</td><td>137</td><td>136</td><td>107</td><td>106</td><td>105</td><td>104</td><td>103</td><td>102</td><td>73</td><td>72</td><td>71</td></tr> <tr><td>208</td><td>207</td><td>206</td><td>176</td><td>175</td><td>174</td><td>173</td><td>172</td><td>171</td><td>141</td><td>140</td><td>139</td></tr> <tr><td>276</td><td>275</td><td>274</td><td>245</td><td>244</td><td>243</td><td>242</td><td>241</td><td>240</td><td>211</td><td>210</td><td>209</td></tr> </table>	70	69	68	38	37	36	35	34	33	3	2	1	138	137	136	107	106	105	104	103	102	73	72	71	208	207	206	176	175	174	173	172	171	141	140	139	276	275	274	245	244	243	242	241	240	211	210	209
	42	41	40	24	23	22	21	20	19	3	2	1																																																																																							
82	81	80	65	64	63	62	61	60	45	44	43																																																																																								
124	123	122	106	105	104	103	102	101	85	84	83																																																																																								
164	163	162	147	146	145	144	143	142	127	126	125																																																																																								
70	69	68	38	37	36	35	34	33	3	2	1																																																																																								
138	137	136	107	106	105	104	103	102	73	72	71																																																																																								
208	207	206	176	175	174	173	172	171	141	140	139																																																																																								
276	275	274	245	244	243	242	241	240	211	210	209																																																																																								
196	<table border="0"> <tr><td>50</td><td>49</td><td>48</td><td>28</td><td>27</td><td>26</td><td>25</td><td>24</td><td>23</td><td>3</td><td>2</td><td>1</td></tr> <tr><td>98</td><td>97</td><td>96</td><td>77</td><td>76</td><td>75</td><td>74</td><td>73</td><td>72</td><td>53</td><td>52</td><td>51</td></tr> <tr><td>148</td><td>147</td><td>146</td><td>126</td><td>125</td><td>124</td><td>123</td><td>122</td><td>121</td><td>101</td><td>100</td><td>99</td></tr> <tr><td>196</td><td>195</td><td>194</td><td>175</td><td>174</td><td>173</td><td>172</td><td>171</td><td>170</td><td>151</td><td>150</td><td>149</td></tr> </table>	50	49	48	28	27	26	25	24	23	3	2	1	98	97	96	77	76	75	74	73	72	53	52	51	148	147	146	126	125	124	123	122	121	101	100	99	196	195	194	175	174	173	172	171	170	151	150	149	300	<table border="0"> <tr><td>76</td><td>75</td><td>74</td><td>41</td><td>40</td><td>39</td><td>38</td><td>37</td><td>36</td><td>3</td><td>2</td><td>1</td></tr> <tr><td>150</td><td>149</td><td>148</td><td>116</td><td>115</td><td>114</td><td>113</td><td>112</td><td>111</td><td>79</td><td>78</td><td>77</td></tr> <tr><td>226</td><td>225</td><td>224</td><td>191</td><td>190</td><td>189</td><td>188</td><td>187</td><td>186</td><td>153</td><td>152</td><td>151</td></tr> <tr><td>300</td><td>299</td><td>298</td><td>266</td><td>265</td><td>264</td><td>263</td><td>262</td><td>261</td><td>229</td><td>228</td><td>227</td></tr> </table>	76	75	74	41	40	39	38	37	36	3	2	1	150	149	148	116	115	114	113	112	111	79	78	77	226	225	224	191	190	189	188	187	186	153	152	151	300	299	298	266	265	264	263	262	261	229	228	227
	50	49	48	28	27	26	25	24	23	3	2	1																																																																																							
98	97	96	77	76	75	74	73	72	53	52	51																																																																																								
148	147	146	126	125	124	123	122	121	101	100	99																																																																																								
196	195	194	175	174	173	172	171	170	151	150	149																																																																																								
76	75	74	41	40	39	38	37	36	3	2	1																																																																																								
150	149	148	116	115	114	113	112	111	79	78	77																																																																																								
226	225	224	191	190	189	188	187	186	153	152	151																																																																																								
300	299	298	266	265	264	263	262	261	229	228	227																																																																																								
204	<table border="0"> <tr><td>52</td><td>51</td><td>50</td><td>29</td><td>28</td><td>27</td><td>26</td><td>25</td><td>24</td><td>3</td><td>2</td><td>1</td></tr> <tr><td>102</td><td>101</td><td>100</td><td>80</td><td>79</td><td>78</td><td>77</td><td>76</td><td>75</td><td>55</td><td>54</td><td>53</td></tr> <tr><td>154</td><td>153</td><td>152</td><td>131</td><td>130</td><td>129</td><td>128</td><td>127</td><td>126</td><td>105</td><td>104</td><td>103</td></tr> <tr><td>204</td><td>203</td><td>202</td><td>182</td><td>181</td><td>180</td><td>179</td><td>178</td><td>177</td><td>157</td><td>156</td><td>155</td></tr> </table>	52	51	50	29	28	27	26	25	24	3	2	1	102	101	100	80	79	78	77	76	75	55	54	53	154	153	152	131	130	129	128	127	126	105	104	103	204	203	202	182	181	180	179	178	177	157	156	155	404	<table border="0"> <tr><td>202</td><td>200</td><td>198</td><td>106</td><td>104</td><td>102</td><td>101</td><td>99</td><td>97</td><td>5</td><td>3</td><td>1</td></tr> <tr><td>201</td><td>199</td><td>197</td><td>107</td><td>105</td><td>103</td><td>100</td><td>98</td><td>96</td><td>6</td><td>4</td><td>2</td></tr> <tr><td>404</td><td>402</td><td>400</td><td>508</td><td>506</td><td>504</td><td>503</td><td>501</td><td>299</td><td>207</td><td>205</td><td>203</td></tr> <tr><td>403</td><td>401</td><td>399</td><td>509</td><td>507</td><td>505</td><td>502</td><td>500</td><td>298</td><td>208</td><td>206</td><td>204</td></tr> </table>	202	200	198	106	104	102	101	99	97	5	3	1	201	199	197	107	105	103	100	98	96	6	4	2	404	402	400	508	506	504	503	501	299	207	205	203	403	401	399	509	507	505	502	500	298	208	206	204
	52	51	50	29	28	27	26	25	24	3	2	1																																																																																							
102	101	100	80	79	78	77	76	75	55	54	53																																																																																								
154	153	152	131	130	129	128	127	126	105	104	103																																																																																								
204	203	202	182	181	180	179	178	177	157	156	155																																																																																								
202	200	198	106	104	102	101	99	97	5	3	1																																																																																								
201	199	197	107	105	103	100	98	96	6	4	2																																																																																								
404	402	400	508	506	504	503	501	299	207	205	203																																																																																								
403	401	399	509	507	505	502	500	298	208	206	204																																																																																								

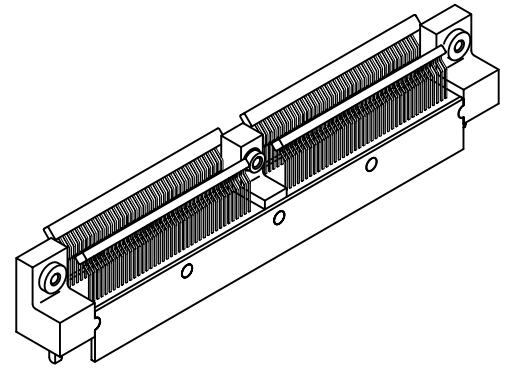
4 ROW

Straight SMT Plug

.075"

RM4

DIMENSIONS			
SIZE	A	B	C
86*	1.975	1.575	-
110*	2.425	2.025	-
164	3.700	1.500	1.850
196	4.300	1.800	2.150
204	4.450	1.875	2.225
220	4.750	2.025	2.375
250*	5.050	4.650	-
276	5.800	2.550	2.475
300	6.250	2.775	3.125
404	8.200	3.750	4.100

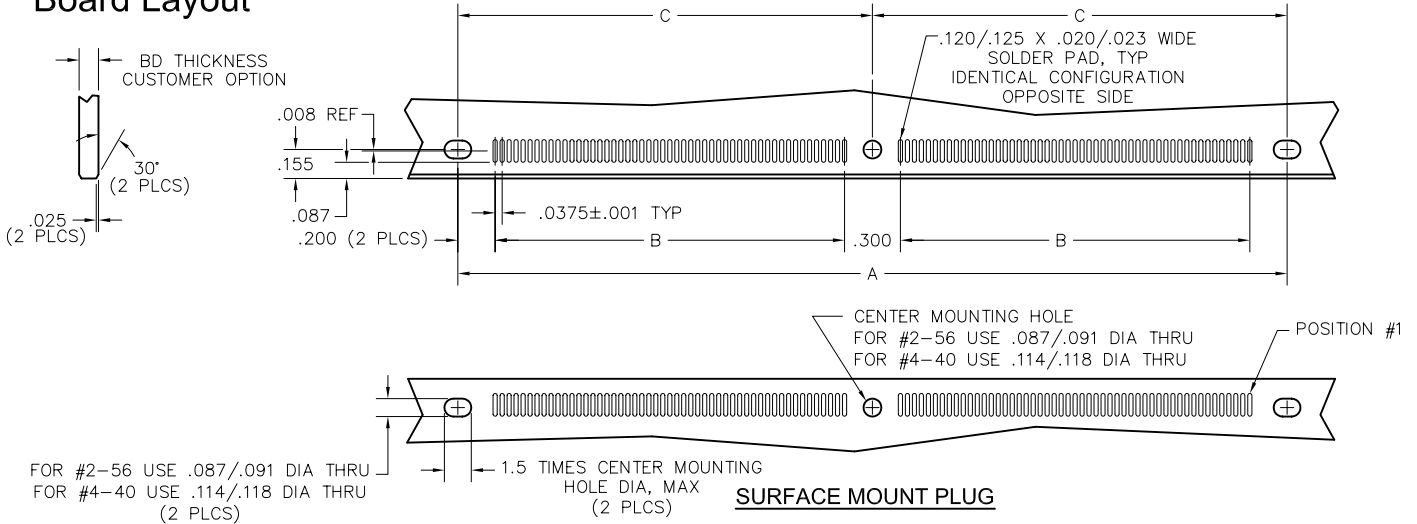


86 thru 404 Contacts

Recommended Board Layout

NOTES:

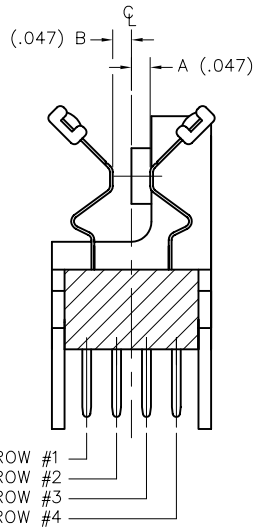
* = Single section, no center mounting hole



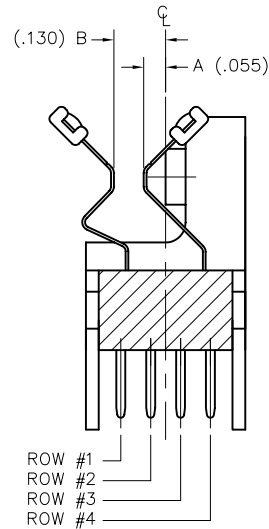
FOR #2-56 USE .087/.091 DIA THRU
FOR #4-40 USE .114/.118 DIA THRU
(2 PLCS)

SIZE	CONTACT ID	SIZE	CONTACT ID
86*	C 65	220	C 166
	C 43		C 220
	C 21		C 163
	C 42		C 109
	C 20		C 54
110*	C 83	250*	C 188
	C 110		C 250
	C 27		C 187
	C 54		C 49
	C 26		C 61
164	C 42	276	C 208
	C 82		C 276
	C 41		C 207
	C 81		C 137
	C 40		C 68
196	C 50	300	C 226
	C 98		C 300
	C 49		C 225
	C 97		C 299
	C 48		C 74
204	C 154	404	C 404
	C 204		C 308
	C 51		C 307
	C 203		C 40
	C 50		C 305

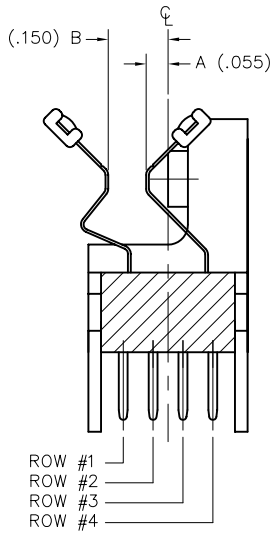
SMT Configuration Options



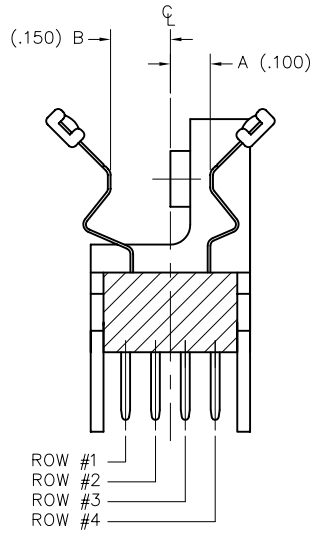
STYLE 933



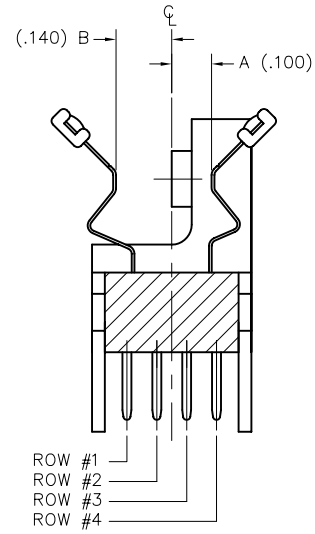
STYLE 925



STYLE 927



STYLE 947



STYLE 946

DISTANCE FROM ϕ (A)

- 1 .005
- 2 .055

DISTANCE FROM ϕ (A OR B)

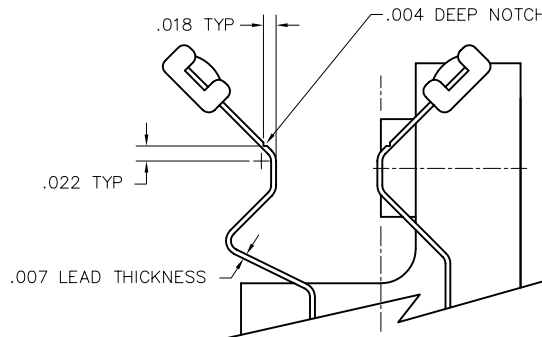
- 3 .047
- 4 .100
- 5 .130
- 6 .140
- 7 .150
- 8 .070
- 9 .080

DISTANCE FROM ϕ (B)

- 0 .090

NOTES:

1. Various board thicknesses can be accommodated by specifying A and B designators. For example: 9 (A)(B)
2. Consult factory for other available options.



CONTACT NOTCH DETAIL

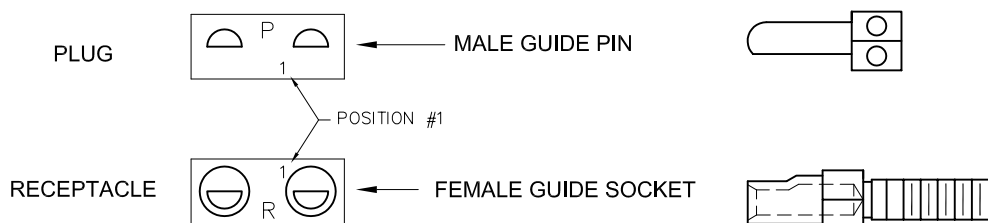


Polarization

4 Row and 6 Row

D-Shaped Guide Hardware

01		07		13		19		25		31	
02		08		14		20		26		32	
03		09		15		21		27		33	
04		10		16		22		28		34	
05		11		17		23		29		35	
06		12		18		24		30		36	



Select the appropriate two digit number above and include as the last two digits of the hardware code in the part number.

Example:

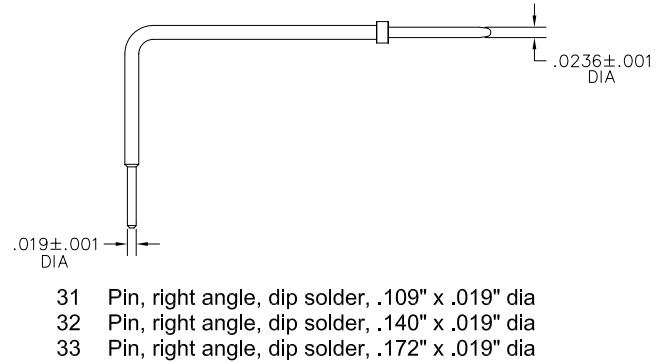
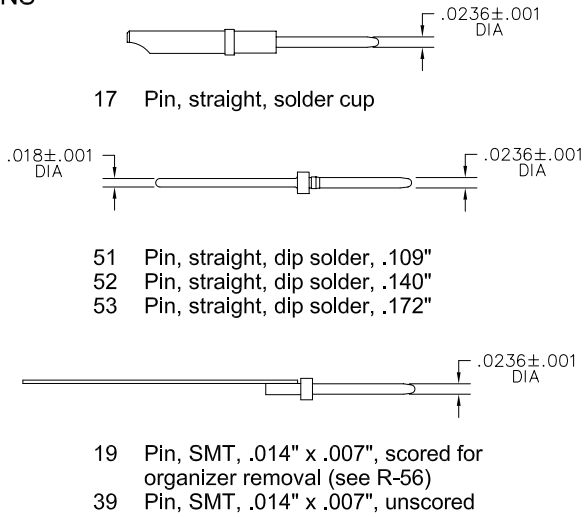
Plug RM452-220-311-9501

Receptacle RM462-220-811-9601

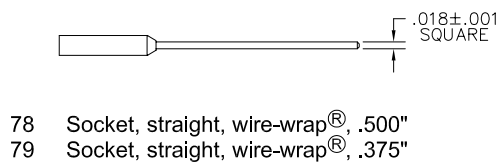
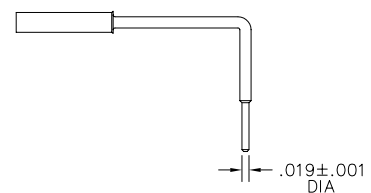
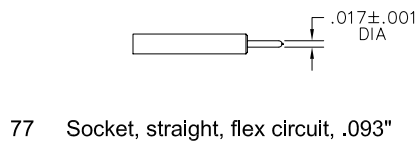
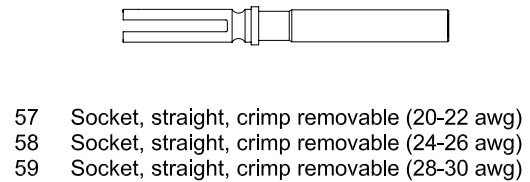
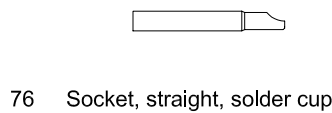
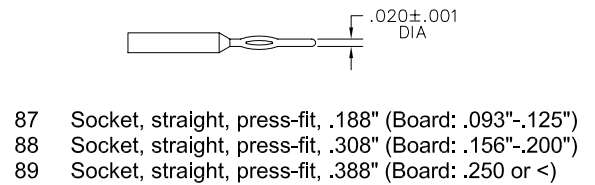
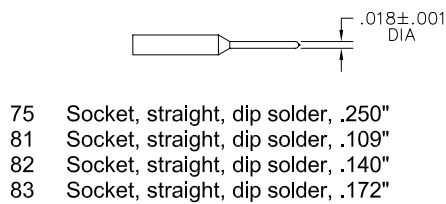
Contacts 4 Row

Pins and Sockets

PINS



SOCKETS





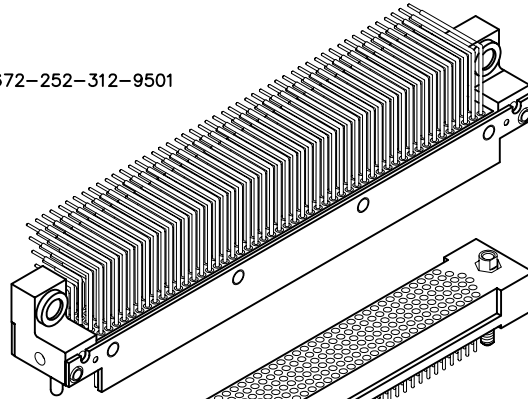
6 · ROW Daughterboard to Motherboard or Chassis

.075"

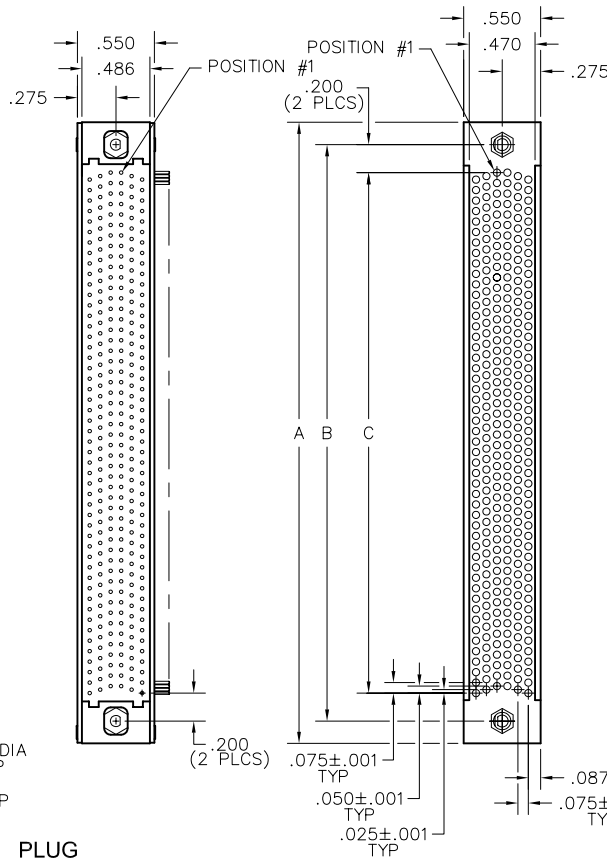
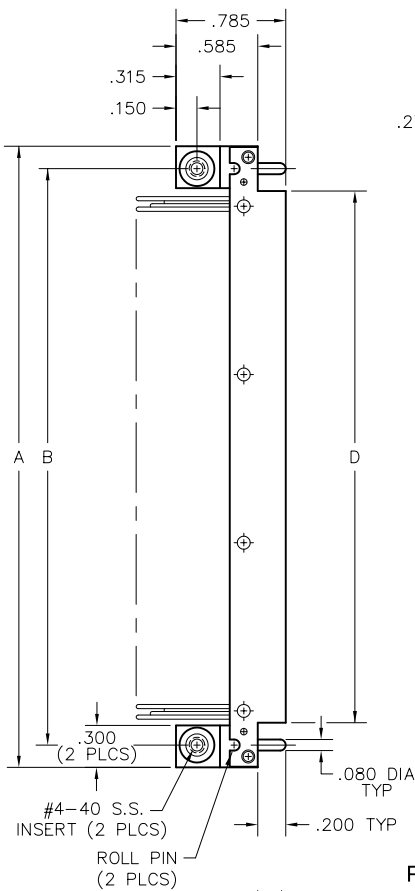
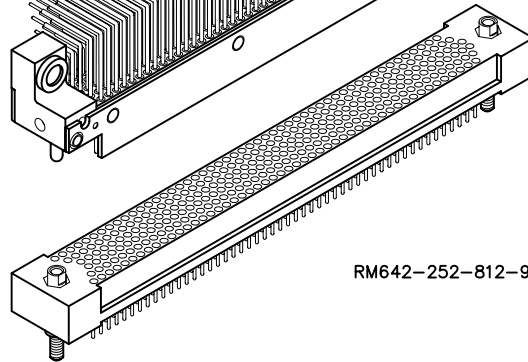
RM6

162 thru 402 Contacts

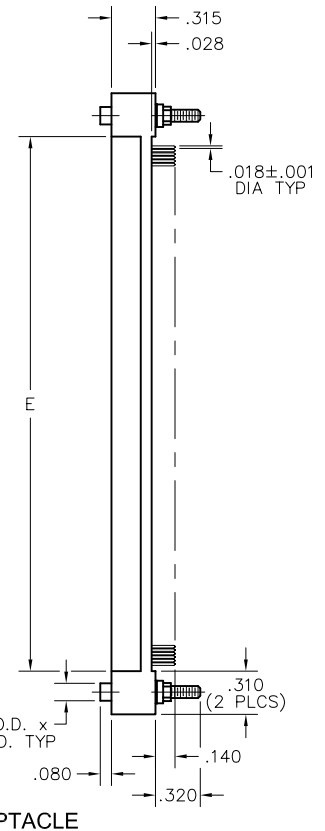
RM672-252-312-9501



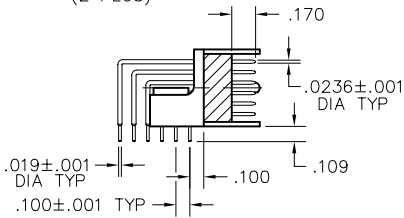
RM642-252-812-9601



PLUG



RECEPTACLE



DIMENSIONS					
SIZE	A	B	C	D	E
162	2.720	2.400	2.000	2.080	2.100
204	3.245	2.925	2.525	2.605	2.625
252	3.845	3.525	3.125	3.205	3.225
300	4.445	4.125	3.725	3.805	3.825
360	5.195	4.875	4.475	4.550	4.575
402	5.720	5.400	5.000	5.080	5.100

PLUG: RM672-252-312-9501
RECEPTACLE: RM642-252-812-9601
 XXXXX-XXX-XXX-XXXX

PLUG

RECEPTACLE

SERIES	
RM .075" Screw Machine PC Connector	RM .075" Screw Machine PC Connector

BODY	
6 6-Row	6 6-Row

BODY STYLE: 7 Plug, right angle, with mounting ears		BODY STYLE: 4 Receptacle, straight, with mounting ears
---------------------------------------------------------------	--	------------------------------------------------------------------

BODY MATERIAL: 2 Polyphenylene sulfide (PPS)		BODY MATERIAL: 2 Polyphenylene sulfide (PPS)
--------------------------------------------------------	--	--------------------------------------------------------

SIZE	
162, 204, 252, 300, 360, 402	162, 204, 252, 300, 360, 402

CONTACTS	
----------	--

TYPE CONTACTS/TERMINATIONS: 31 Pin, right angle, dip solder, .109" x .019" dia 32 Pin, right angle, dip solder, .140" x .019" dia 33 Pin, right angle, dip solder, .172" x .019" dia 34 Pin, right angle, dip solder, .250" x .019" dia

TYPE CONTACTS/TERMINATIONS: 75 Socket, straight, dip solder, .250" x .018" dia 76 Socket, straight, solder cup 77 Socket, straight, flex, .093" x .017" dia 81 Socket, straight, dip solder, .109" x .018" dia 82 Socket, straight, dip solder, .140" x .018" dia 83 Socket, straight, dip solder, .172" x .018" dia 87 Socket, straight, press-fit, .188" (Board: .093" - .125" thk) 88 Socket, straight, press-fit, .308" (Board: .156" - .200" thk) 89 Socket, straight, press-fit, .388" (Board: .250"+ thk)

PLATING OPTIONS: 1 Gold plated termination 2 Pre-tinned termination, SnPb alloy <input checked="" type="checkbox"/> 3 Pre-tinned termination, SAC305 alloy

PLATING OPTIONS: 1 Gold plated termination 2 Pre-tinned termination, SnPb alloy (dip solder options only) <input checked="" type="checkbox"/> 3 Pre-tinned termination, SAC305 alloy (dip solder options only)

HARDWARE	
----------	--

STYLE OF HARDWARE: 0256 None 83 Fixed jackset, reversed, installed 90 Guide pins, full round, installed 93 Fixed jackset, installed 95 Guide pins, polarized, unassembled 9501 - 9536 Guide pins, polarized, installed 99 Guide pins, universal, installed

STYLE OF HARDWARE: 0256 None 82 Hex turning jackset, reversed, installed, .200 knob 83 Fixed jackset, reversed, installed, #2-56 x .247" thd ext 84 Fixed jackset, reversed, installed, #2-56 x .320" thd ext 91 Guide sockets, full round, installed, #2-56 x .247" thd ext 92 Hex turning jackset, installed, .200 knob 93 Fixed jackset, installed, #2-56 x .247" thd ext 94 Fixed jackset, installed, #2-56 x .320" thd ext 96 Guide sockets, polarized, unassembled, #2-56 x .320" thd ext 9601 - 9636 Guide sockets, polarized, installed, #2-56 x .320" thd ext 97 Guide sockets, polarized, unassembled, #2-56 x .247" thd ext 9701 - 9736 Guide sockets, polarized, installed, #2-56 x .247" thd ext 98 Guide sockets, universal, installed, #2-56 x .247" thd ext

POLARIZATION: 00 None 01 thru 36 are special identifiers, see page R-57

POLARIZATION: 00 None 01 thru 36 are special identifiers, see page R-57

= Option not RoHS compliant



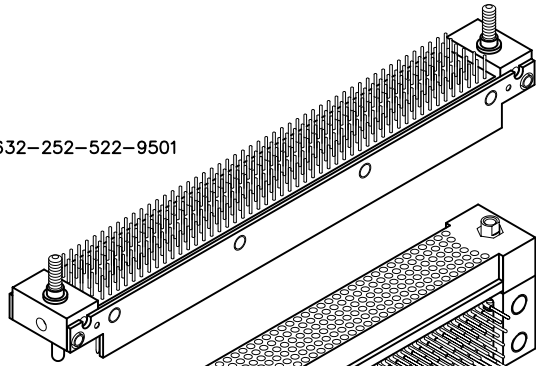
6 · ROW Motherboard or Chassis to Daughterboard

.075"

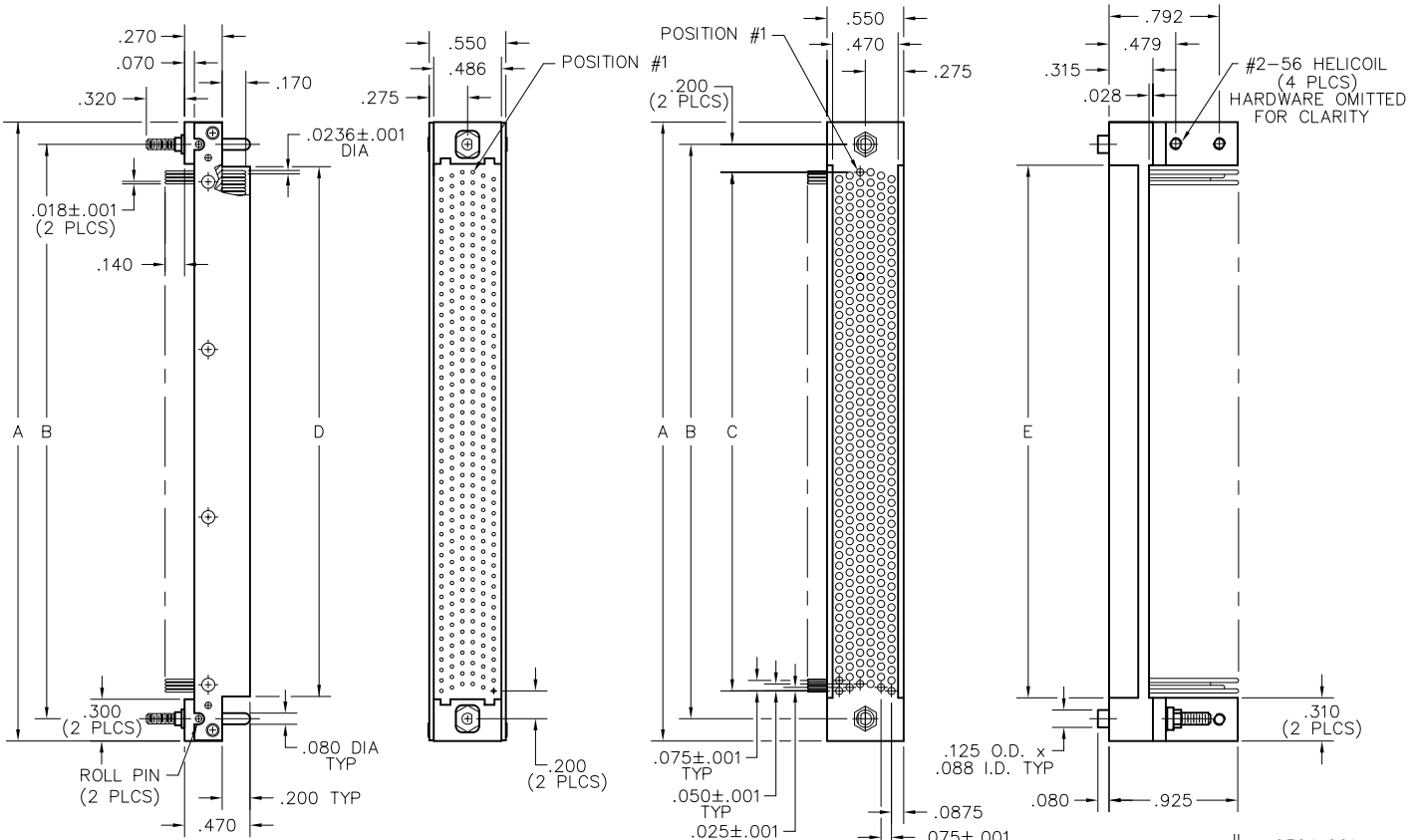
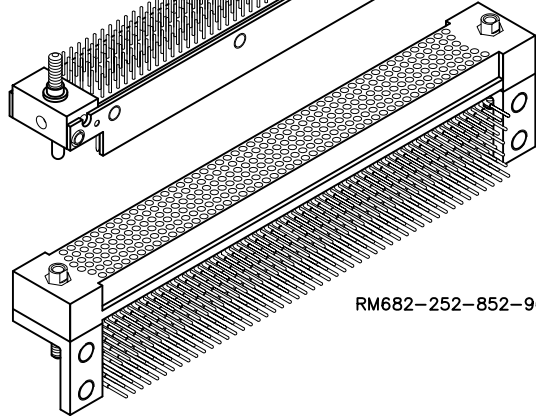
RM6

162 thru 402 Contacts

RM632-252-522-9501



RM682-252-852-9601



PLUG

RECEPTACLE

DIMENSIONS					
SIZE	A	B	C	D	E
162	2.720	2.400	2.000	2.080	2.100
204	3.245	2.925	2.525	2.605	2.625
252	3.845	3.525	3.125	3.205	3.225
300	4.445	4.125	3.725	3.805	3.825
360	5.195	4.875	4.475	4.550	4.575
402	5.720	5.400	5.000	5.080	5.100

Call (972) 931-3200 Fax (972) 931-9305 www.AirBorn.com

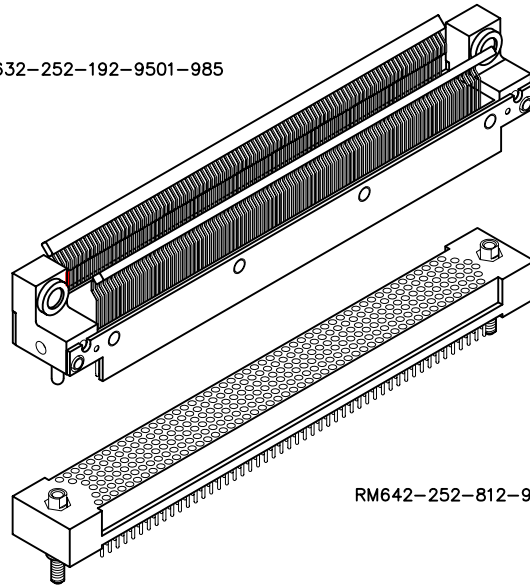
PLUG: RM632-252-522-9501
RECEPTACLE: RM682-252-852-9601
 XXXXX-XXX-XXX-XXXX

PLUG		RECEPTACLE	
SERIES			
RM .075" Screw Machine PC Connector		RM .075" Screw Machine PC Connector	
BODY			
6	6-Row	6	6-Row
BODY STYLE: 3 Plug, straight, without mounting ears		BODY STYLE: 8 Receptacle, right angle, with mounting brackets	
BODY MATERIAL: 2 Polyphenylene sulfide (PPS)		BODY MATERIAL: 2 Polyphenylene sulfide (PPS)	
SIZE			
162, 204, 252, 300, 360, 402		162, 204, 252, 300, 360, 402	
CONTACTS			
TYPE CONTACTS/TERMINATIONS: 17 Pin, straight, solder cup 40 Pin, straight, flex .093" x .017" dia 51 Pin, straight, dip solder, .109" x .018" dia 52 Pin, straight, dip solder, .140" x .018" dia 53 Pin, straight, dip solder, .172" x .018" dia 54 Pin, straight, dip solder, .250" x .018" dia		TYPE CONTACTS/TERMINATIONS: 84 Socket, right angle, dip solder, .109" x .019" dia 85 Socket, right angle, dip solder, .140" x .019" dia 86 Socket, right angle, dip solder, .172" x .019" dia	
PLATING OPTIONS: 1 Gold plated termination 2 Pre-tinned termination, SnPb alloy (dip solder options only) <input checked="" type="checkbox"/> 3 Pre-tinned termination, SAC305 alloy (dip solder options only)		PLATING OPTIONS: 1 Gold plated termination 2 Pre-tinned termination, SnPb alloy <input checked="" type="checkbox"/> 3 Pre-tinned termination, SAC305 alloy	
HARDWARE			
STYLE OF HARDWARE: 0256 None 82 Hex turning jackset, reversed, installed, .200 knob 83 Fixed jackset, reversed, installed #2-56 x .247" thd ext 84 Fixed jackset, reversed, installed #2-56 x .320" thd ext 90 Guide pins, full round, installed #2-56 x .320" thd ext 92 Hex turning jackset, installed, .200 knob 93 Fixed jackset, installed, #2-56 x .247" thd ext 94 Fixed jackset, installed, #2-56 x .320" thd ext 95 Guide pins, polarized, unassembled, #2-56 x .320" thd ext 9501 - 9536 Guide pins, polarized, installed, #2-56 x .320" thd ext 99 Guide pins, universal, installed #2-56 x .320" thd ext		STYLE OF HARDWARE: 0256 None 82 Hex turning jackset, reversed, installed, .200 knob 83 Fixed jackset, reversed, installed 91 Guide sockets, full round, installed 92 Hex turning jackset, installed, .200 knob 93 Fixed jackset, installed 96 Guide sockets, polarized, unassembled 9601 - 9636 Guide sockets, polarized, installed 97 Guide sockets, polarized, unassembled 9701 - 9736 Guide sockets, polarized, installed 98 Guide sockets, universal, installed Note: Includes mounting bracket when right angle contacts are supplied	
POLARIZATION: 00 None 01 thru 36 are special identifiers, see page R-57		POLARIZATION: 00 None 01 thru 36 are special identifiers, see page R-57	

= Option not RoHS compliant



RM632-252-192-9501-985



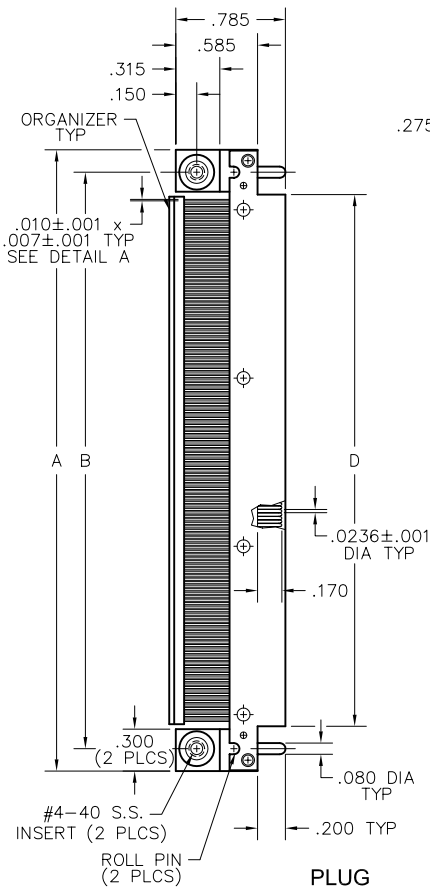
RM642-252-812-9601

6 • ROW Daughterboard to Motherboard or Chassis

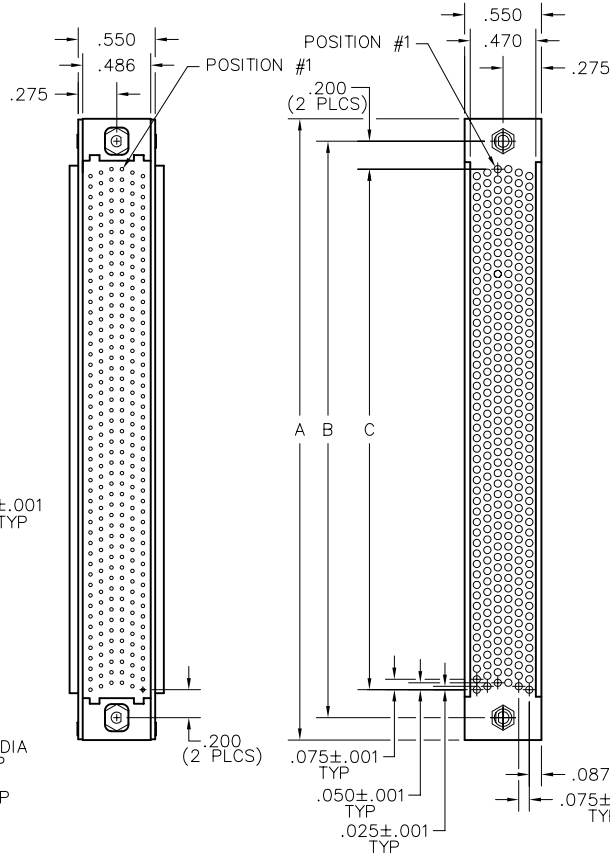
.075"

RM6

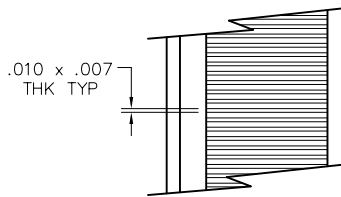
162 thru 402 Contacts



PLUG



RECEPTACLE



DETAIL A

DIMENSIONS					
SIZE	A	B	C	D	E
162	2.720	2.400	2.000	2.080	2.100
204	3.245	2.925	2.525	2.605	2.625
252	3.845	3.525	3.125	3.205	3.225
300	4.445	4.125	3.725	3.805	3.825
360	5.195	4.875	4.475	4.550	4.575
402	5.720	5.400	5.000	5.080	5.100

PLUG: RM632-252-192-9501-985
RECEPTACLE: RM642-252-812-9601
 XXXXX-XXX-XXX-XXXX-XXX

PLUG

RECEPTACLE

SERIES	
RM .075" Screw Machine PC Connector	RM .075" Screw Machine PC Connector

BODY	
6 6-Row	6 6-Row
BODY STYLE: 3 Plug, straight, with mounting ears	BODY STYLE: 4 Receptacle, straight, with mounting ears
BODY MATERIAL: 2 Polyphenylene sulfide (PPS)	BODY MATERIAL: 2 Polyphenylene sulfide (PPS)

SIZE	
162, 204, 252, 300, 360, 402	162, 204, 252, 300, 360, 402

CONTACTS	
TYPE CONTACTS/TERMINATIONS: 19 Pin, SMT, .014" x .007" tail, scored for organizer removal (see R-56) 39 Pin, SMT, .014" x .007" tail, unscored	TYPE CONTACTS/TERMINATIONS: 75 Socket, straight, dip solder, .250" x .018" dia 76 Socket, straight, solder cup 77 Socket, straight, flex, .093" x .017" dia 81 Socket, straight, dip solder, .109" x .018" dia 82 Socket, straight, dip solder, .140" x .018" dia 83 Socket, straight, dip solder, .172" x .018" dia 87 Socket, straight, press-fit, .188" (Board: .093" - .125" thk) 88 Socket, straight, press-fit, .308" (Board: .156" - .200" thk) 89 Socket, straight, press-fit, .388" (Board: .250"+ thk)
PLATING OPTIONS: 2 Pre-tinned termination, SnPb alloy <input checked="" type="checkbox"/> 3 Pre-tinned termination, SAC305 alloy	PLATING OPTIONS: 1 Gold plated termination 2 Pre-tinned termination, SnPb alloy (dip solder options only) <input checked="" type="checkbox"/> 3 Pre-tinned termination, SAC305 alloy (dip solder options only)

HARDWARE	
STYLE OF HARDWARE: 0256 None 83 Fixed jackset, reversed, installed 90 Guide pins, full round, installed 93 Fixed jackset, installed 95 Guide pins, polarized, unassembled 9501 - 9536 Guide pins, polarized, installed 99 Guide pins, universal, installed	STYLE OF HARDWARE: 0256 None 82 Hex turning jackset, reversed, installed, .200 knob 83 Fixed jackset, reversed, installed, #2-56 x .247" thd ext 84 Fixed jackset, reversed, installed, #2-56 x .320" thd ext 91 Guide sockets, full round, installed, #2-56 x .247" thd ext 92 Hex turning jackset, installed, .200 knob 93 Fixed jackset, installed, #2-56 x .247" thd ext 94 Fixed jackset, installed, #2-56 x .320" thd ext 96 Guide sockets, polarized, unassembled, #2-56 x .320" thd ext 9601 - 9636 Guide sockets, polarized, installed, #2-56 x .320" thd ext 97 Guide sockets, polarized, unassembled, #2-56 x .247" thd ext 9701 - 9736 Guide sockets, polarized, installed, #2-56 x .247" thd ext 98 Guide sockets, universal, installed, #2-56 x .247" thd ext
POLARIZATION: 00 None 01 thru 36 are special identifiers, see page R-57	POLARIZATION: 00 None 01 thru 36 are special identifiers, see page R-57

OPTIONS	
9XX SMT configuration code, see page R-56	

= Option not RoHS compliant

6 • ROW

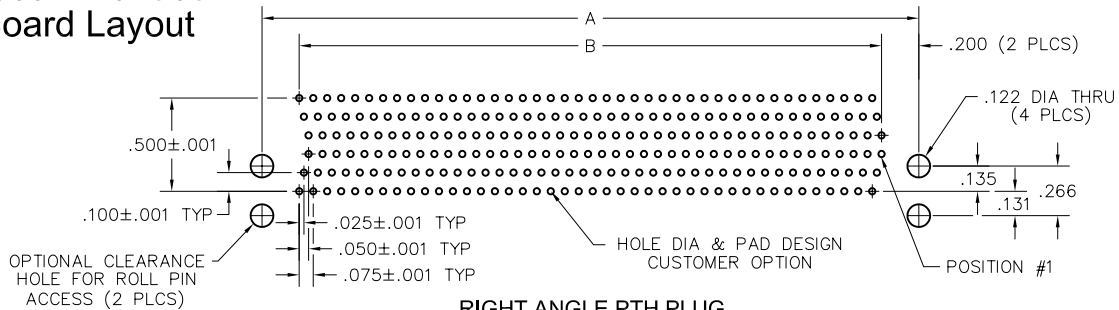
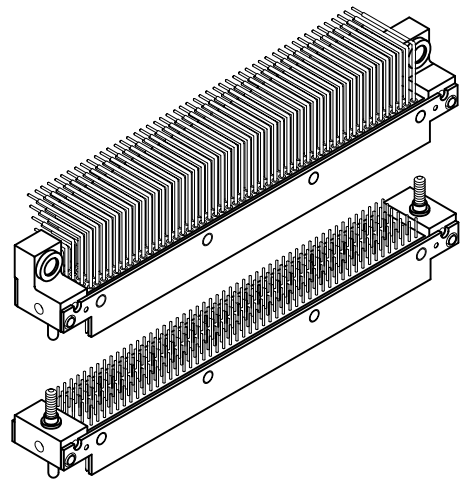
Right Angle PTH Plug Straight PTH Plug

.075"

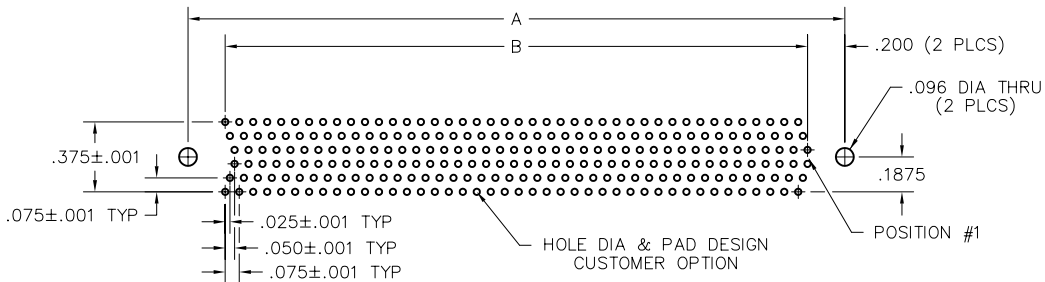
RM6

162 thru 402 Contacts
Recommended
Board Layout

DIMENSIONS		
SIZE	A	B
162	2.400	2.000
204	2.925	2.525
252	3.525	3.125
300	4.125	3.725
360	4.875	4.475
402	5.400	5.000

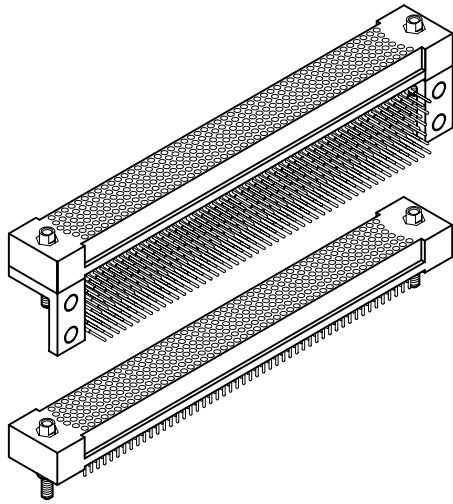


RIGHT ANGLE PTH PLUG
PC BOARD VIEWED FROM COMPONENT SIDE



STRAIGHT PTH PLUG
PC BOARD VIEWED FROM COMPONENT SIDE

SIZE	CONTACT ID	SIZE	CONTACT ID
162	162 159 156	300	500 297 294
	161 158 155		159 156 153
	160 157 154		298 296 293
	79 76 73		158 153 152
	80 77 74		298 295 292
	81 78 75		157 154 151
	90 87 84		148 145 142
	89 86 83		149 146 143
	88 85 82		150 147 144
	7 4 1		7 4 1
	8 5 2		8 5 2
	9 6 3		9 6 3
204	204 201 198	360	560 357 354
	203 200 197		189 186 183
	202 199 196		359 356 353
	100 97 94		188 185 182
	101 98 95		358 355 352
	102 99 96		187 184 181
	111 108 105		178 175 172
	110 107 104		179 176 173
	109 106 103		180 177 174
	7 4 1		7 4 1
	8 5 2		8 5 2
	9 6 3		9 6 3
252	252 249 246	402	402 399 396
	251 248 245		210 207 204
	250 247 244		401 398 395
	124 121 118		209 206 203
	125 122 119		400 397 394
	126 123 120		208 205 202
	135 132 129		7 4 1
	134 131 128		8 5 2
	133 130 127		9 6 3
	7 4 1		7 4 1
	8 5 2		8 5 2
	9 6 3		9 6 3



DIMENSIONS		
SIZE	A	B
162	2.400	2.000
204	2.925	2.525
252	3.525	3.125
300	4.125	3.725
360	4.875	4.475
402	5.400	5.000

6 · ROW

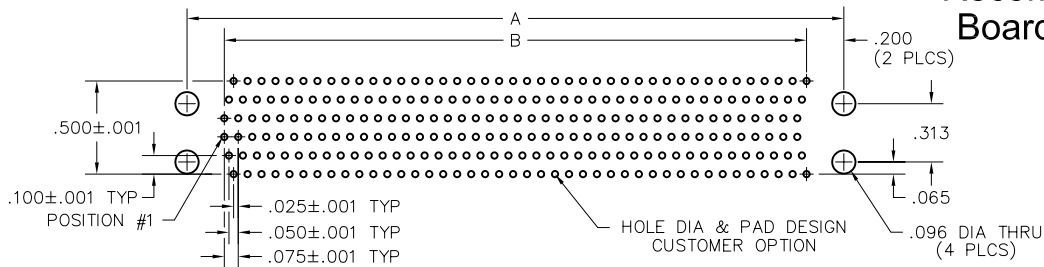
Right Angle PTH Rcpt

Straight PTH Rcpt

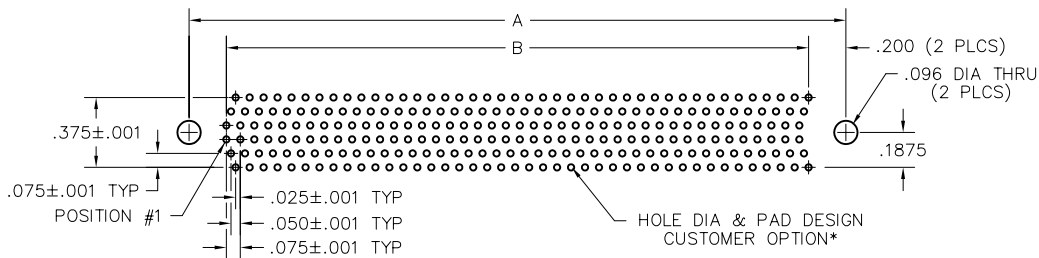
.075"

RM6

162 thru 402 Contacts
Recommended Board Layout



RIGHT ANGLE PTH RECEPTACLE
PC BOARD VIEWED FROM COMPONENT SIDE



STRAIGHT PTH RECEPTACLE
PC BOARD VIEWED FROM COMPONENT SIDE

*COMPLIANT TERMINATION REQUIREMENTS:

Board Material: FR-4 w/ 1.0 oz. copper
Minimum nominal board thickness: .062"
Drilled hole: .0319"-.0339"
Copper plating thickness: .0010" minimum

Tin-lead plating thickness: .0006" maximum
Electroplated tin-lead composition: .63/37 (Sn/Pb)
Finished hole diameter: .028"±.002"

SIZE	CONTACT ID	SIZE	CONTACT ID
162	84 87 90 83 86 89 82 85 88 1 4 7 2 5 8 3 6 9	300	156 159 162 155 158 161 154 157 160 73 76 79 74 77 80 75 78 81
	153 156 159 152 155 158 151 154 157 1 4 7 2 5 8 3 6 9		294 297 300 293 296 299 292 295 298 142 145 148 143 146 149 144 147 150
204	105 108 111 104 107 110 103 106 109 1 4 7 2 5 8 3 6 9	360	198 201 204 197 200 203 196 199 202 94 97 100 95 98 101 96 99 102
	183 186 189 182 185 188 181 184 187 1 4 7 2 5 8 3 6 9		354 357 360 353 356 359 352 355 358 172 175 178 173 176 179 174 177 180
252	129 132 135 128 131 134 127 130 133 1 4 7 2 5 8 3 6 9	402	246 249 252 245 248 251 244 247 250 118 121 124 119 122 125 120 123 126
	204 207 210 203 206 209 202 205 208 1 4 7 2 5 8 3 6 9		396 399 402 395 398 401 394 397 400 194 197 200 195 198 201



6 • ROW

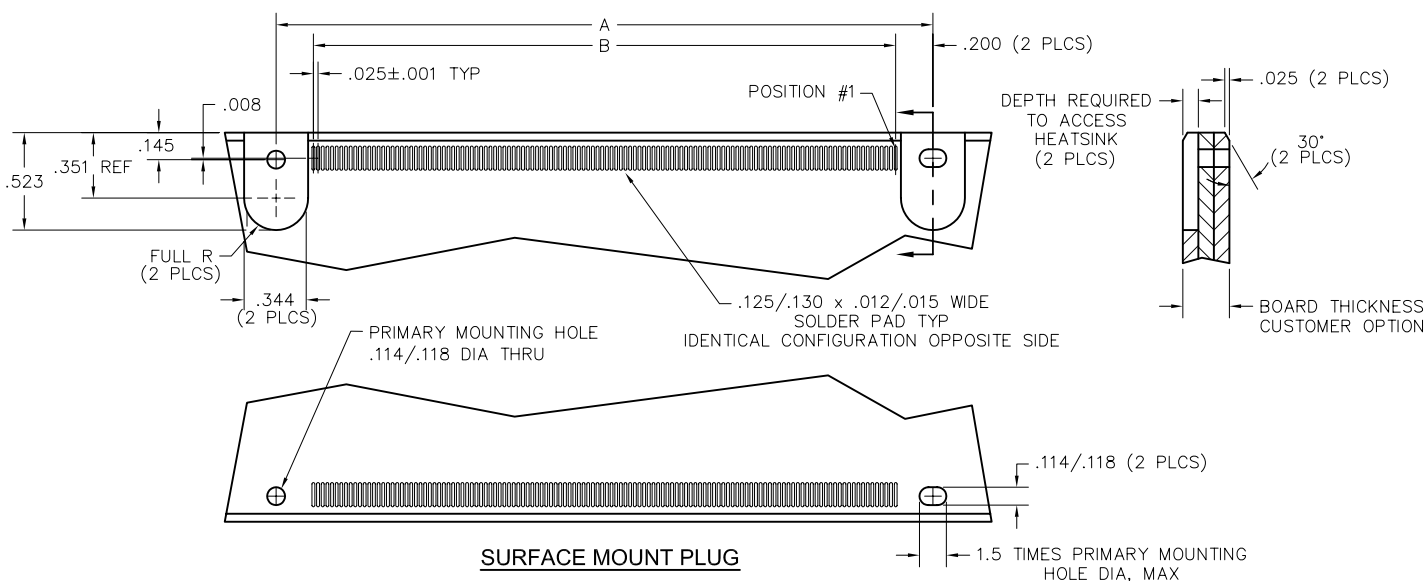
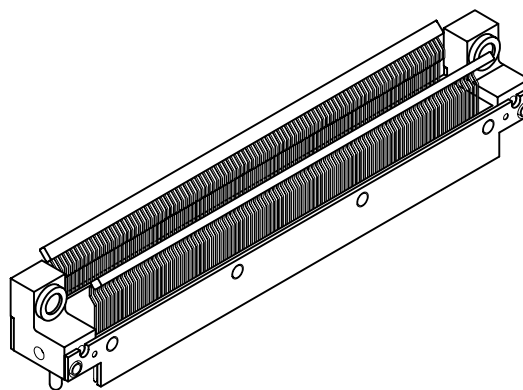
Straight SMT Plug

.075"

RM6

162 thru 402 Contacts
Recommended Board Layout

DIMENSIONS		
SIZE	A	B
162	2.400	2.000
204	2.925	2.525
252	3.525	3.125
300	4.125	3.725
360	4.875	4.475
402	5.400	5.000



SIZE	CONTACT ID	SIZE	CONTACT ID
162	C162	300	C300
	C161		C299
	C160		C149
	C159		C148
C78	C147	C146	C145
C77	C86	C5	C155
	C85	C4	C154
	C84	C3	C153
	C83	C2	C152
	C82	C1	C151
204	C204	360	C360
	C203		C359
	C202		C185
	C201		C184
C102	C183	C5	C182
C101	C182	C4	C181
C99	C5	C4	C180
C98	C4	C3	C179
	C3	C2	C178
	C2	C1	C177
	C1	C1	C176
252	C252	402	C402
	C251		C401
	C250		C206
	C249		C205
C248	C204	C4	C203
	C203	C3	C202
	C131	C2	C201
	C130	C1	C200
	C129	C1	C199
	C128	C1	C198
	C127	C1	C197
		C1	C196



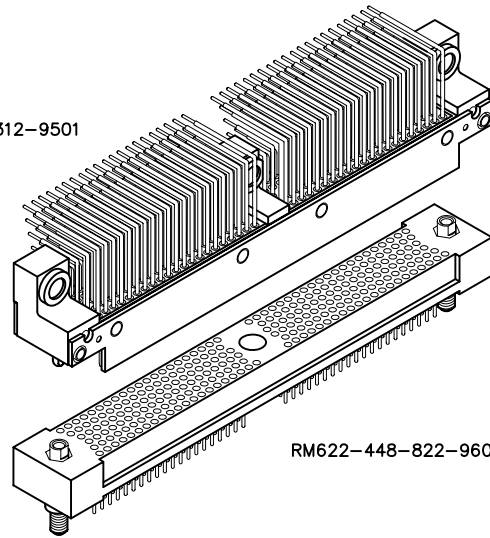
6 • ROW Daughterboard to Motherboard or Chassis

.075"

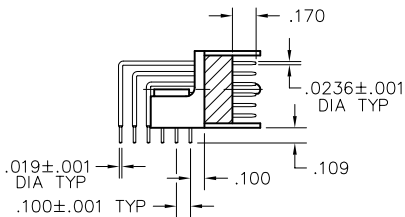
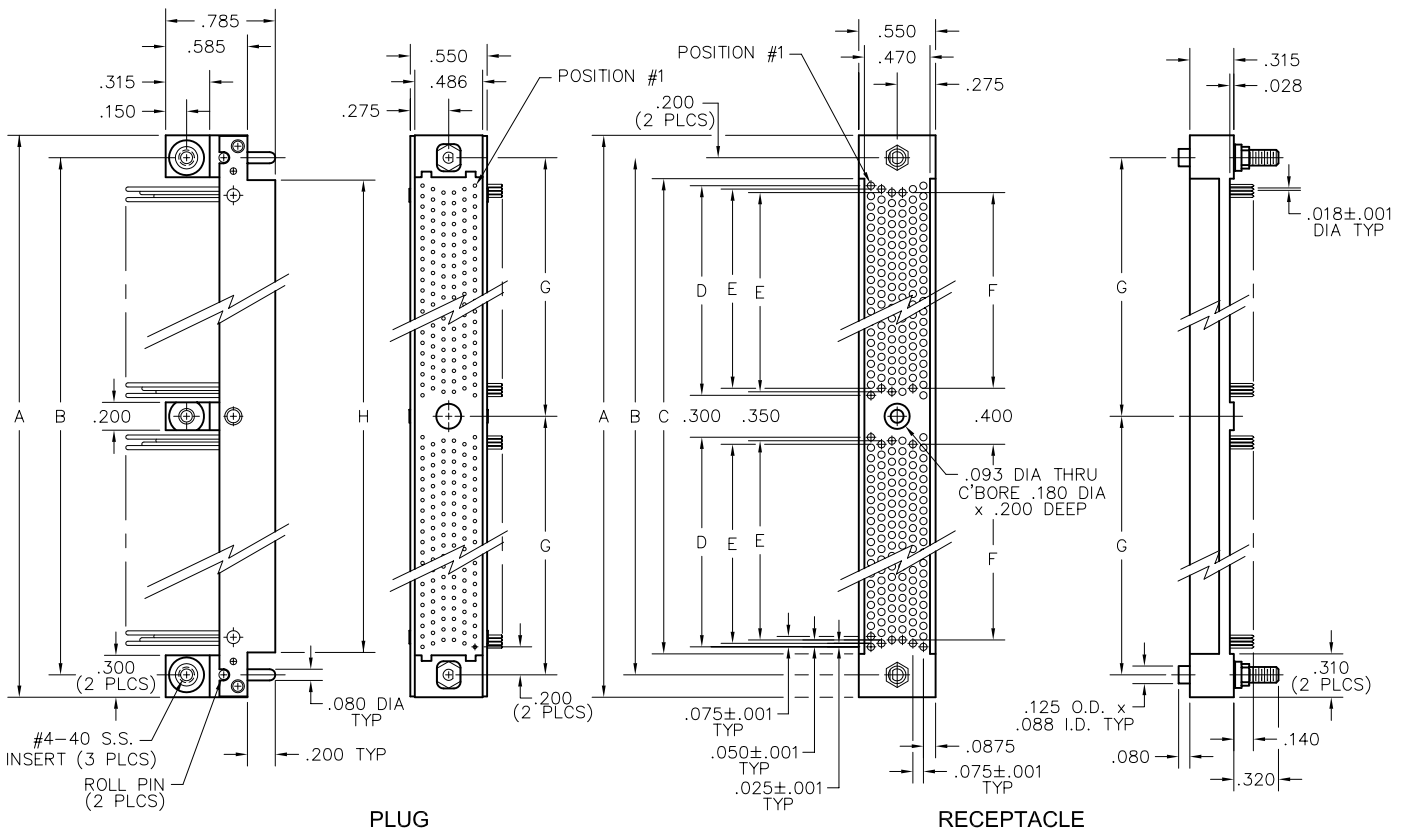
RM6

448 & 604 Contacts

RM652-448-312-9501



RM622-448-822-9601



DIMENSIONS								
SIZE	A	B	C	D	E	F	G	H
448	6.570	6.250	5.950	2.775	2.700	2.675	3.125	5.930
604	8.520	8.200	7.900	3.750	3.675	3.650	4.100	7.880

PLUG: RM652-448-312-9501
RECEPTACLE: RM622-448-822-9601
 XXXXX-XXX-XXX-XXXX

PLUG

RECEPTACLE

SERIES	
RM .075" Screw Machine PC Connector	RM .075" Screw Machine PC Connector

BODY	
6 6-Row	6 6-Row
BODY STYLE: 5 Plug, right angle, with mounting ears	BODY STYLE: 2 Receptacle, straight, with mounting ears
BODY MATERIAL: 2 Polyphenylene sulfide (PPS)	BODY MATERIAL: 2 Polyphenylene sulfide (PPS)

SIZE	
448, 604	448, 604

CONTACTS

PLUG CONTACTS/TERMINATIONS:	RECEPTACLE CONTACTS/TERMINATIONS:
31 Pin, right angle, dip solder, .109" x .019" dia	75 Socket, straight, dip solder, .250" x .018" dia
32 Pin, right angle, dip solder, .140" x .019" dia	76 Socket, straight, solder cup
33 Pin, right angle, dip solder, .172" x .019" dia	77 Socket, straight, flex, .093" x .017" dia
34 Pin, right angle, dip solder, .250" x .019" dia	81 Socket, straight, dip solder, .109" x .018" dia
	82 Socket, straight, dip solder, .140" x .018" dia
	83 Socket, straight, dip solder, .172" x .018" dia
	87 Socket, straight, press-fit, .188" (Board: .093" - .125" thk)
	88 Socket, straight, press-fit, .308" (Board: .156" - .200" thk)
	89 Socket, straight, press-fit, .388" (Board: .250"+ thk)

PLATING OPTIONS:	PLATING OPTIONS:
1 Gold plated termination	1 Gold plated termination
2 Pre-tinned termination, SnPb alloy <input checked="" type="checkbox"/>	2 Pre-tinned termination, SnPb alloy (dip solder options only) <input checked="" type="checkbox"/>
3 Pre-tinned termination, SAC305 alloy	3 Pre-tinned termination, SAC305 alloy (dip solder options only)

HARDWARE

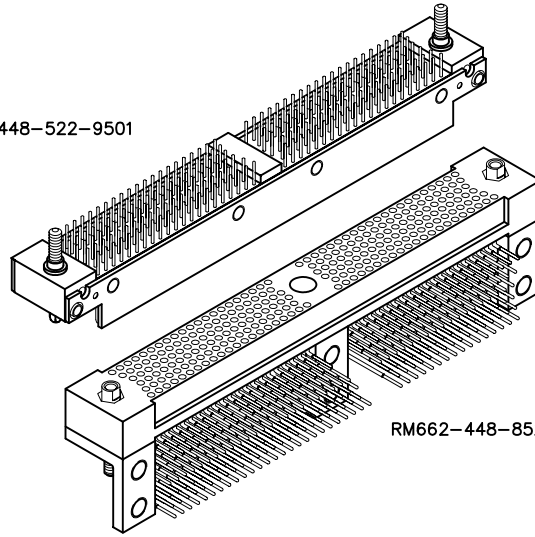
STYLE OF HARDWARE:	STYLE OF HARDWARE:
0256 None	0256 None
83 Fixed jackset, reversed, installed	82 Hex turning jackset, reversed, installed, .200 knob
90 Guide pins, full round, installed	83 Fixed jackset, reversed, installed, #4-40 x .247" thd ext
93 Fixed jackset, installed	84 Fixed jackset, reversed, installed, #4-40 x .320" thd ext
95 Guide pins, polarized, unassembled	91 Guide sockets, full round, installed, #4-40 x .247" thd ext
9501 - 9536 Guide pins, polarized, installed	92 Hex turning jackset, installed, .200 knob
99 Guide pins, universal, installed	93 Fixed jackset, installed, #4-40 x .247" thd ext
	94 Fixed jackset, installed, #4-40 x .320" thd ext
	96 Guide sockets, polarized, unassembled, #4-40 x .320" thd ext
	9601 - 9636 Guide sockets, polarized, installed, #4-40 x .320" thd ext
	97 Guide sockets, polarized, unassembled, #4-40 x .247" thd ext
	9701 - 9736 Guide sockets, polarized, installed, #4-40 x .247" thd ext
	98 Guide sockets, universal, installed, #4-40 x .247" thd ext

POLARIZATION:	POLARIZATION:
00 None	00 None
01 thru 36 are special identifiers, see page R-57	01 thru 36 are special identifiers, see page R-57

= Option not RoHS compliant



RM612-448-522-9501



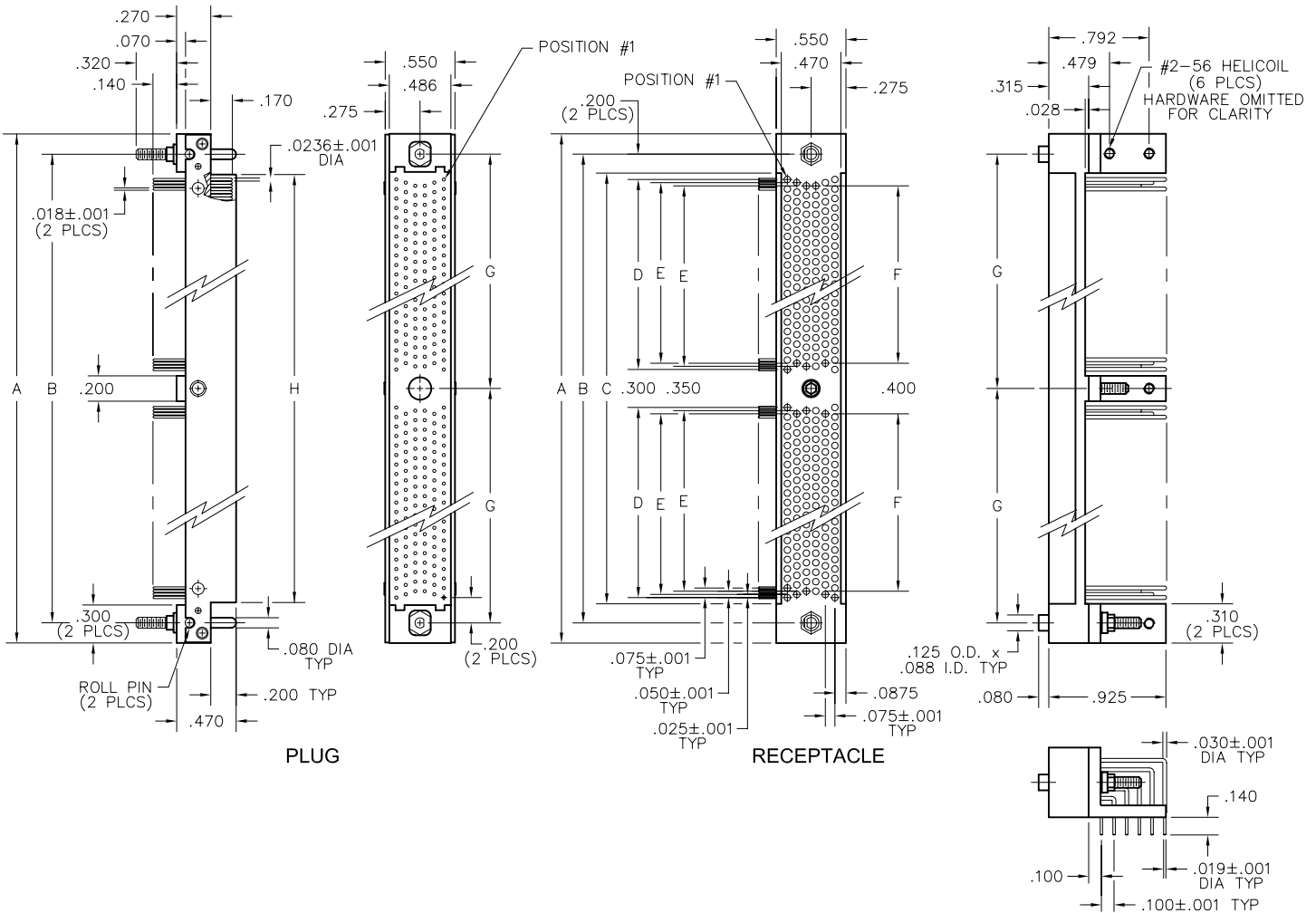
RM662-448-852-9601

6 • ROW Motherboard or Chassis to Daughterboard

.075"

RM6

448 & 604 Contacts



DIMENSIONS								
SIZE	A	B	C	D	E	F	G	H
448	6.570	6.250	5.950	2.775	2.700	2.675	3.125	5.930
604	8.520	8.200	7.900	3.750	3.675	3.650	4.100	7.880

PLUG: RM612-448-522-9501
RECEPTACLE: RM662-448-852-9601
 XXXXX-XXX-XXX-XXXX

PLUG

RECEPTACLE

SERIES	
RM .075" Screw Machine PC Connector	RM .075" Screw Machine PC Connector

BODY	
6 6-Row	6 6-Row
BODY STYLE: 1 Plug, straight, without mounting ears	BODY STYLE: 6 Receptacle, right angle, with mounting brackets
BODY MATERIAL: 2 Polyphenylene sulfide (PPS)	BODY MATERIAL: 2 Polyphenylene sulfide (PPS)

SIZE	
448, 604	448, 604

CONTACTS	
TYPE CONTACTS/TERMINATIONS: 17 Pin, straight, solder cup 40 Pin, straight, flex .093" x .017" dia 51 Pin, straight, dip solder, .109" x .018" dia 52 Pin, straight, dip solder, .140" x .018" dia 53 Pin, straight, dip solder, .172" x .018" dia 54 Pin, straight, dip solder, .250" x .018" dia	TYPE CONTACTS/TERMINATIONS: 84 Socket, right angle, dip solder, .109" x .019" dia 85 Socket, right angle, dip solder, .140" x .019" dia 86 Socket, right angle, dip solder, .172" x .019" dia
PLATING OPTIONS: 1 Gold plated termination 2 Pre-tinned termination, SnPb alloy (dip solder options only) <input checked="" type="checkbox"/> 3 Pre-tinned termination, SAC305 alloy (dip solder options only)	PLATING OPTIONS: 1 Gold plated termination 2 Pre-tinned termination, SnPb alloy <input checked="" type="checkbox"/> 3 Pre-tinned termination, SAC305 alloy

HARDWARE	
STYLE OF HARDWARE: 0256 None 82 Hex turning jackset, reversed, installed, .200 knob 83 Fixed jackset, reversed, installed #4-40 x .247" thd ext 84 Fixed jackset, reversed, installed #4-40 x .320" thd ext 90 Guide pins, full round, installed #4-40 x .320" thd ext 92 Hex turning jackset, installed, .200 knob 93 Fixed jackset, installed, #4-40 x .247" thd ext 94 Fixed jackset, installed, #4-40 x .320" thd ext 95 Guide pins, polarized, unassembled, #4-40 x .320" thd ext 9501 - 9536 Guide pins, polarized, installed, #4-40 x .320" thd ext 99 Guide pins, universal, installed #4-40 x .320" thd ext	STYLE OF HARDWARE: 0256 None 82 Hex turning jackset, reversed, installed, .200 knob 83 Fixed jackset, reversed, installed 91 Guide sockets, full round, installed 92 Hex turning jackset, installed, .200 knob 93 Fixed jackset, installed 96 Guide sockets, polarized, unassembled 9601 - 9636 Guide sockets, polarized, installed 97 Guide sockets, polarized, unassembled 9701 - 9736 Guide sockets, polarized, installed 98 Guide sockets, universal, installed Note: Includes mounting bracket when right angle contacts are supplied
POLARIZATION: 00 None 01 thru 36 are special identifiers, see page R-57	POLARIZATION: 00 None 01 thru 36 are special identifiers, see page R-57

= Option not RoHS compliant

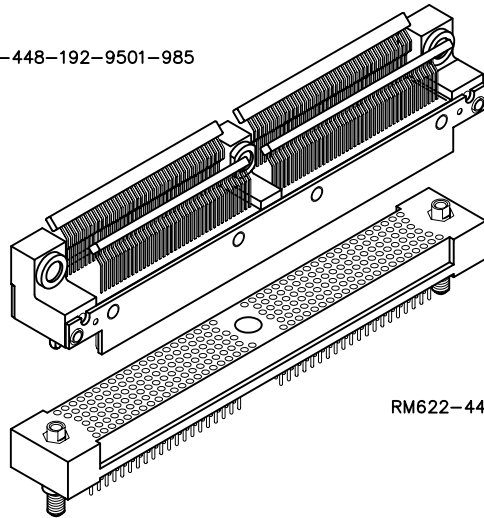
6 • ROW Daughterboard to Motherboard or Chassis

.075"

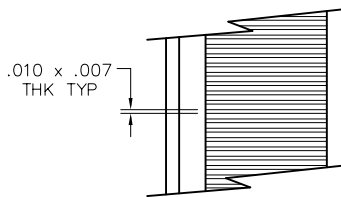
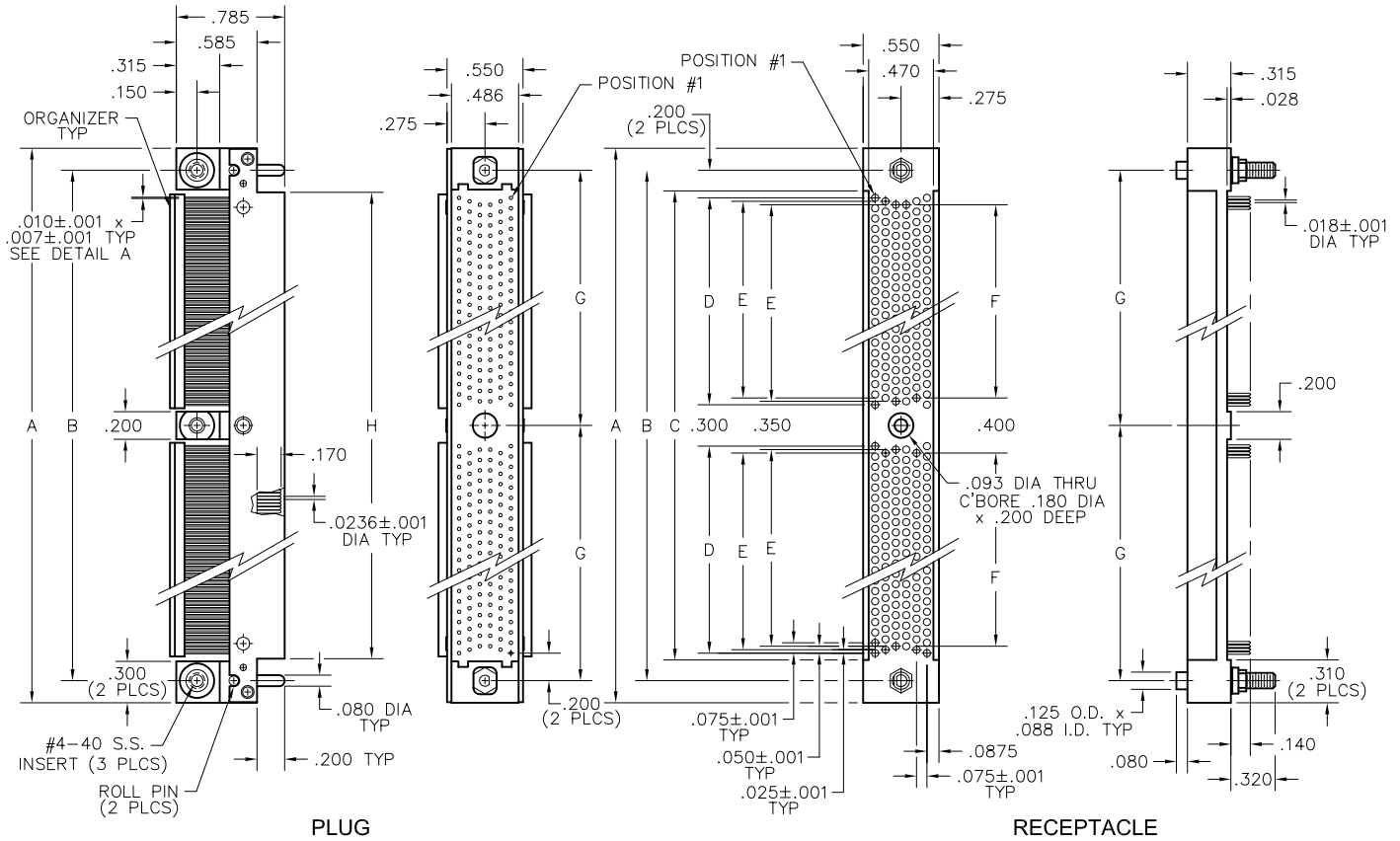
RM6

448 & 604 Contacts

RM612-448-192-9501-985



RM622-448-822-9601



DETAIL A

DIMENSIONS								
SIZE	A	B	C	D	E	F	G	H
448	6.570	6.250	5.950	2.775	2.700	2.675	3.125	5.930
604	8.520	8.200	7.900	3.750	3.675	3.650	4.100	7.880

PLUG: RM612-448-192-9501-985
RECEPTACLE: RM622-448-822-9601
 XXXXX-XXX-XXX-XXXX-XXX

PLUG

RECEPTACLE

SERIES	
RM .075" Screw Machine PC Connector	RM .075" Screw Machine PC Connector

BODY	
6 6-Row	6 6-Row
BODY STYLE: 1 Plug, straight, with mounting ears	BODY STYLE: 2 Receptacle, straight, with mounting ears
BODY MATERIAL: 2 Black anodized side shield (PPS) 5 Nickel plated side shield (PPS)	BODY MATERIAL: 2 Black anodized side shield (PPS) 5 Nickel plated side shield (PPS)

SIZE	
448, 604	448, 604

CONTACTS	
TYPE CONTACTS/TERMINATIONS: 19 Pin, SMT, .014" x .007" tail, scored for organizer removal (see R-56) 39 Pin, SMT, .014" x .007" tail, unscored	TYPE CONTACTS/TERMINATIONS: 75 Socket, straight, dip solder, .250" x .018" dia 76 Socket, straight, solder cup 77 Socket, straight, flex, .093" x .017" dia 81 Socket, straight, dip solder, .109" x .018" dia 82 Socket, straight, dip solder, .140" x .018" dia 83 Socket, straight, dip solder, .172" x .018" dia 87 Socket, straight, press-fit, .188" (Board: .093" - .125" thk) 88 Socket, straight, press-fit, .308" (Board: .156" - .200" thk) 89 Socket, straight, press-fit, .388" (Board: .250"+ thk)
PLATING OPTIONS: 2 Pre-tinned termination, SnPb alloy <input checked="" type="checkbox"/> 3 Pre-tinned termination, SAC305 alloy	PLATING OPTIONS: 1 Gold plated termination 2 Pre-tinned termination, SnPb alloy (dip solder options only) <input checked="" type="checkbox"/> 3 Pre-tinned termination, SAC305 alloy (dip solder options only)

HARDWARE	
STYLE OF HARDWARE: 0256 None 83 Fixed jackset, reversed, installed 90 Guide pins, full round, installed 93 Fixed jackset, installed 95 Guide pins, polarized, unassembled 9501 - 9536 Guide pins, polarized, installed 99 Guide pins, universal, installed	STYLE OF HARDWARE: 0256 None 82 Hex turning jackset, reversed, installed, .200 knob 83 Fixed jackset, reversed, installed, #4-40 x .247 thd ext 84 Fixed jackset, reversed, installed, #4-40 x .320 thd ext 91 Guide sockets, full round, installed, #4-40 x .247" thd ext 92 Hex turning jackset, installed, .200 knob 93 Fixed jackset, installed, #4-40 x .247 thd ext 94 Fixed jackset, installed, #4-40 x .320 thd ext 96 Guide sockets, polarized, unassembled, #4-40 x .320" thd ext 9601 - 9636 Guide sockets, polarized, installed, #4-40 x .320" thd ext 97 Guide sockets, polarized, unassembled, #4-40 x .247" thd ext 9701 - 9736 Guide sockets, polarized, installed, #4-40 x .247" thd ext 98 Guide sockets, universal, installed, #4-40 x .247" thd ext
POLARIZATION: 00 None 01 thru 36 are special identifiers, see page R-57	POLARIZATION: 00 None 01 thru 36 are special identifiers, see page R-57

OPTIONS	
9XX SMT configuration code, see page R-56	

= Option not RoHS compliant



6 • ROW

Right Angle PTH Plug

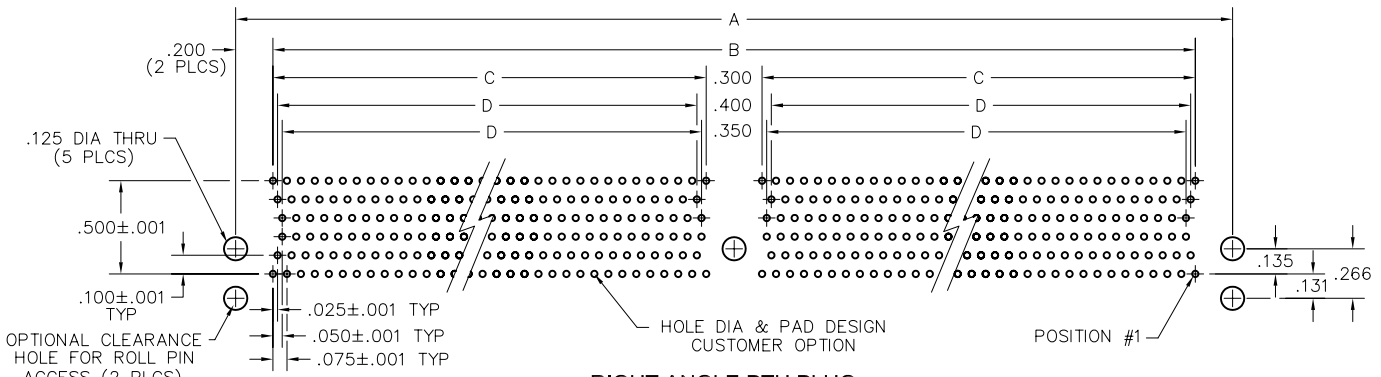
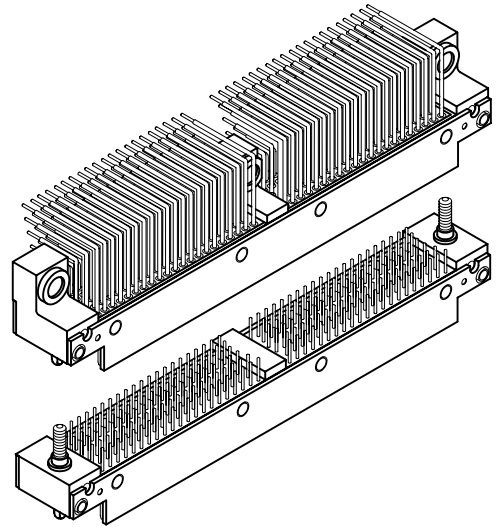
Straight PTH Plug

.075"

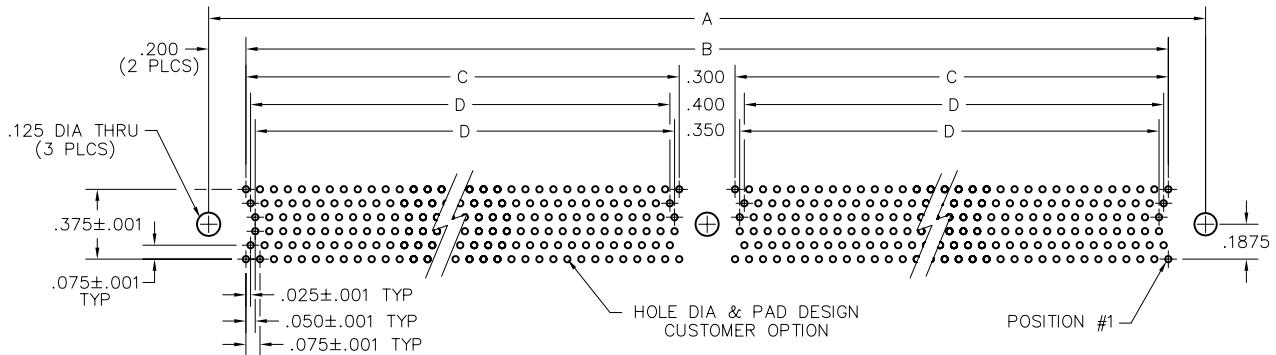
RM6

448 & 604 Contacts
Recommended
Board Layout

DIMENSIONS				
SIZE	A	B	C	D
448	6.250	5.850	2.775	2.700
604	8.200	7.800	3.750	3.675



RIGHT ANGLE PTH PLUG
PC BOARD VIEWED FROM COMPONENT SIDE



STRAIGHT PTH PLUG
PC BOARD VIEWED FROM COMPONENT SIDE

SIZE	CONTACT ID				SIZE	CONTACT ID			
448	448	445	442		604	604	601	598	
	447	444	441			603	600	597	
	446	443	440			602	599	596	
	223	219	216			301	297	294	
	223	220	217			301	298	295	
	224	221	218			302	299	296	
	343	340	337			460	457	454	
	343	342	339			462	459	456	
	344	341	338			461	458	455	
	120	117	114			159	156	153	
	121	118	115			160	157	154	
	119	116	113			158	155	152	
	536	533	530			453	450	447	
	534	531	528			451	448	445	
	535	532	529			452	449	446	
	111	108	105			150	147	144	
	110	107	104			149	146	143	
	112	109	106			151	148	145	
	231	228	225			309	306	303	
	232	229	226			310	307	304	
	233	230	227			311	308	305	
	9	6	3			9	6	3	
	8	5	2			8	5	2	
	7	4	1			7	4	1	

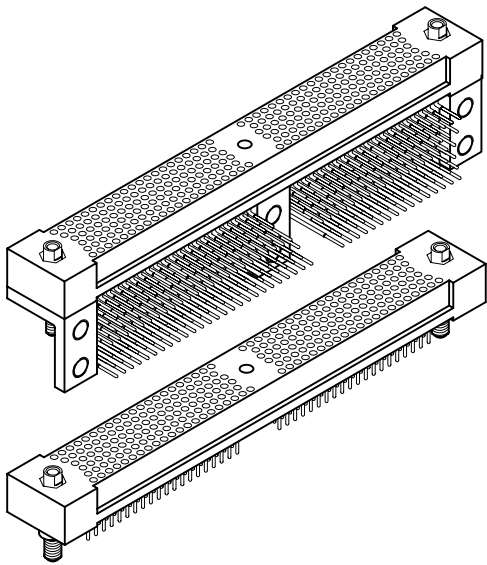
6 • ROW

Right Angle PTH Rcpt Straight PTH Rcpt

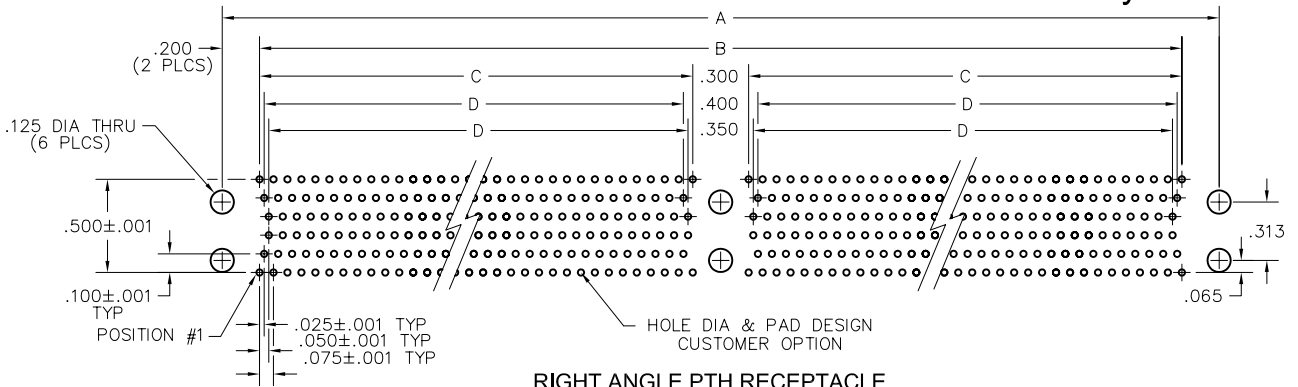
.075"

RM6

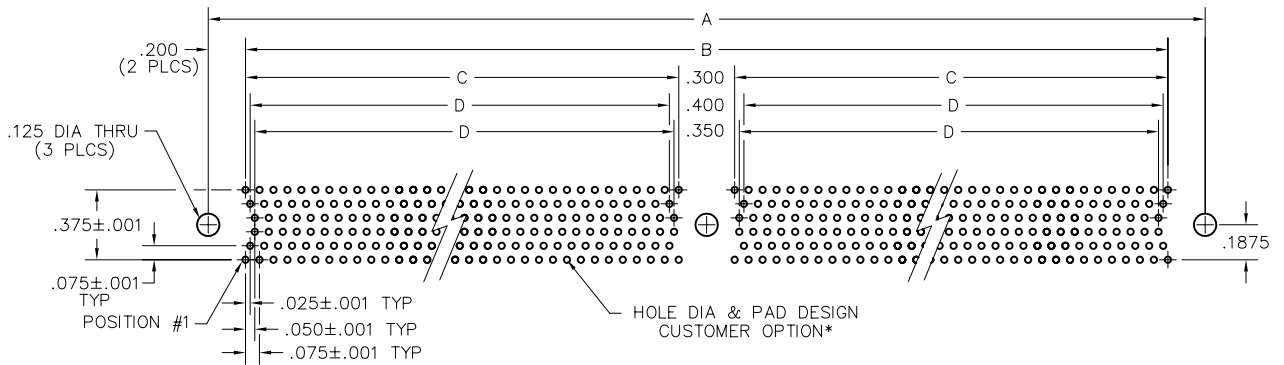
448 & 604 Contacts
Recommended
Board Layout



DIMENSIONS				
SIZE	A	B	C	D
448	6.250	5.850	2.775	2.700
604	8.200	7.800	3.750	3.675



RIGHT ANGLE PTH RECEPTACLE
PC BOARD VIEWED FROM COMPONENT SIDE



STRAIGHT PTH RECEPTACLE
PC BOARD VIEWED FROM COMPONENT SIDE

*COMPLIANT TERMINATION REQUIREMENTS:
Board Material: FR-4 w/ 1.0 oz. copper
Minimum nominal board thickness: .062"
Drilled hole: .0319"-.0339"
Copper plating thickness: .0010" minimum
Tin-lead plating thickness: .0006" maximum
Electroplated tin-lead composition: 63/37 (Sn/Pb)
Finished hole diameter: .028"±.002"

SIZE	CONTACT ID				SIZE	CONTACT ID			
448	225(228(231	330(333(336	337(340(343	442(445(448	604	303(306(309	447(450(453	454(457(460	598(601(604
	226(229(232	328(331(334	339(342(345	441(444(447		304(307(310	445(448(451	456(459(462	597(600(603
	227(230(233	329(332(335	338(341(344	440(443(446		305(308(311	446(449(452	455(458(461	596(599(602
	3 6 9	103(108(111	114(117(120	216(219(222		3 6 9	144(147(150	153(156(159	294(297(300
	2 5 8	104(107(110	113(118(121	217(220(223		2 5 8	143(146(149	154(157(160	295(298(301
1 4 7	106(109(112	113(116(119	218(221(224	1 4 7	145(148(151	152(155(158	296(299(302		

6 • ROW

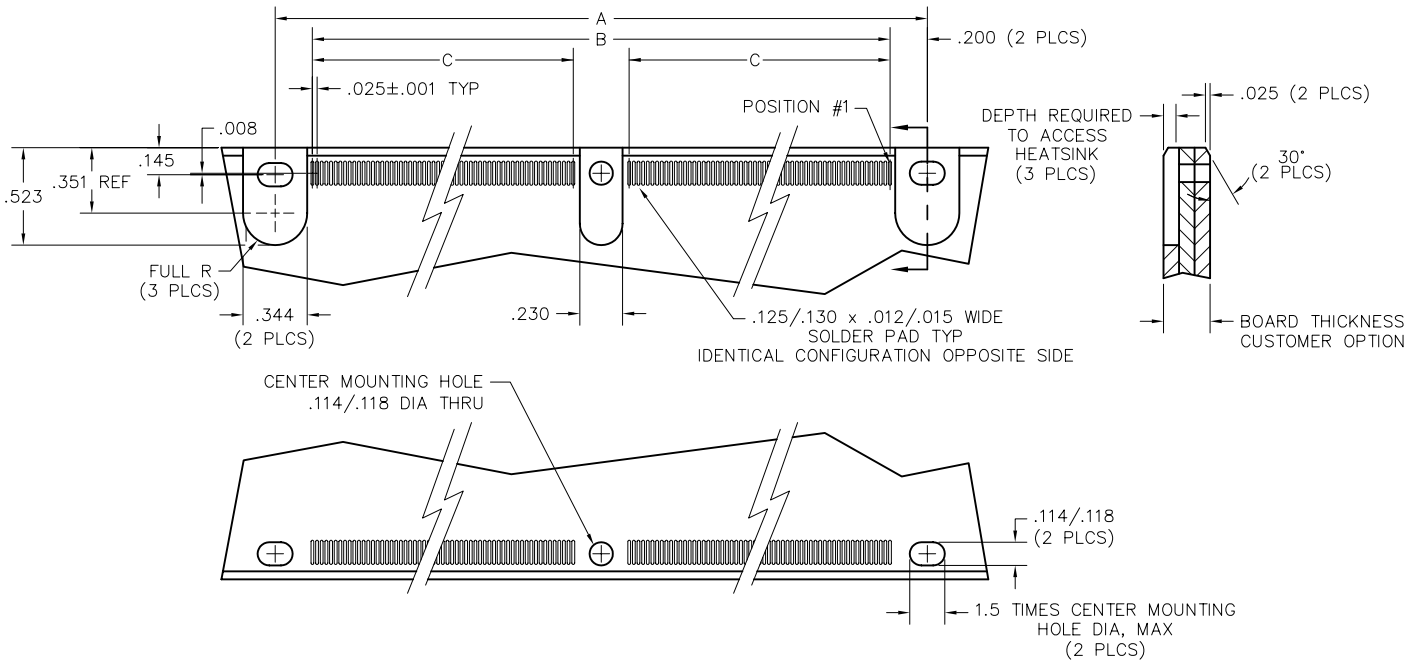
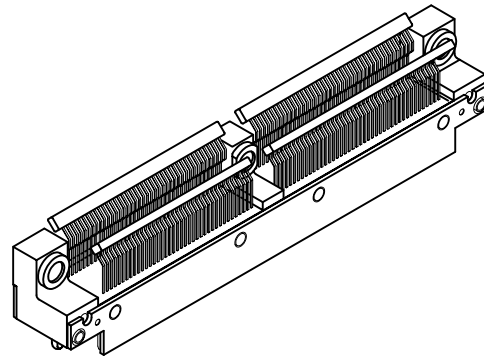
Straight SMT Plug

.075"

RM6

448 & 604 Contacts
Recommended Board Layout

DIMENSIONS			
SIZE	A	B	C
448	6.250	5.850	2.775
604	8.200	7.800	3.750



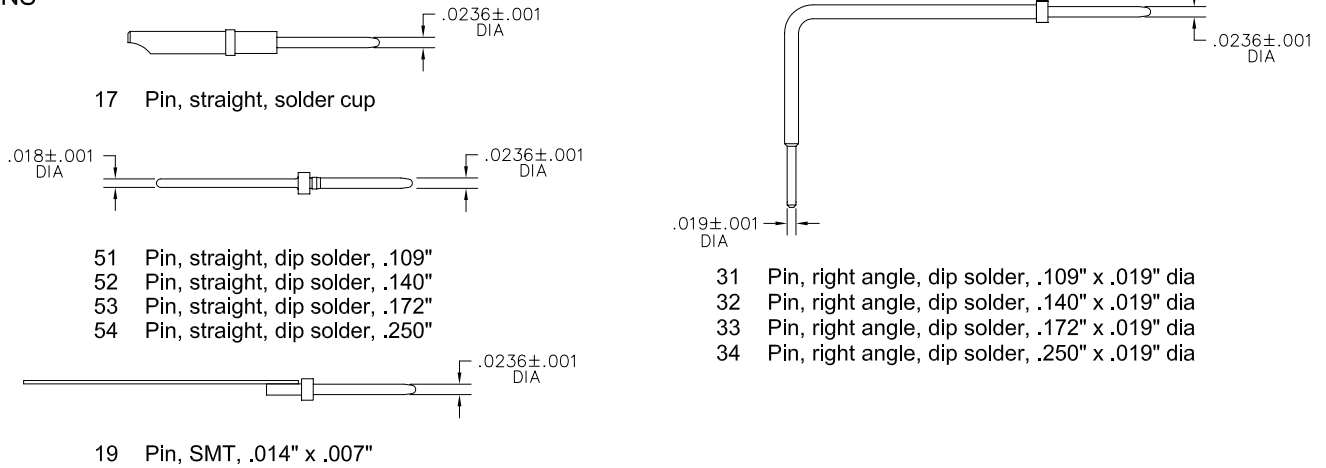
SURFACE MOUNT PLUG

SIZE	CONTACT ID												SIZE	CONTACT ID																											
448	C448D	C447D	C446D	C445D	C444D	C341D	C340D	C339D	C338D	C337D	C336D	C335D	C334D	C333D	C332D	C229D	C228D	C227D	C226D	C225D	604	C604D	C603D	C602D	C601D	C600D	C458D	C457D	C456D	C455D	C454D	C453D	C452D	C451D	C450D	C449D	C307D	C306D	C305D	C304D	C303D
	C224D	C223D	C222D	C221D	C220D	C117D	C116D	C115D	C114D	C113D	C112D	C111D	C110D	C109D	C108D	C5D	C4D	C3D	C2D	C1D		C302D	C301D	C300D	C299D	C298D	C156D	C155D	C154D	C153D	C152D	C151D	C150D	C149D	C148D	C147D	C5D	C4D	C3D	C2D	C1D

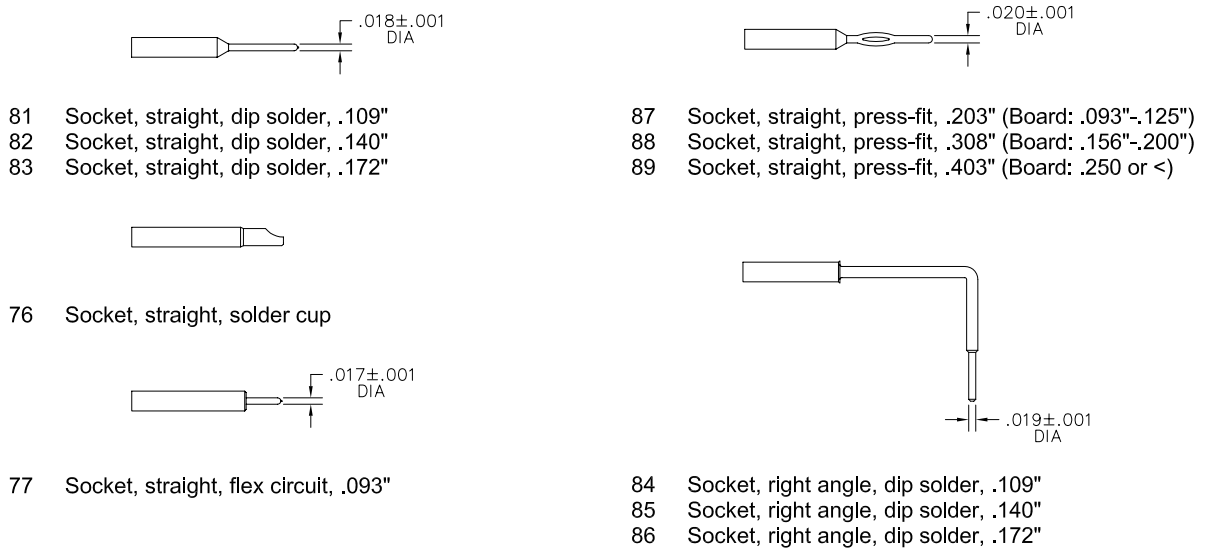
Contacts 6 Row

Pins and Sockets

PINS



SOCKETS



Specifications - Stackable Compliant Pin Connectors (075)

Materials and Finishes *

Contacts:	BeCu, per ASTM-B768 (BeCu C17410 Brush Alloy 174).
Contact Finish:	Gold plate per MIL-G-45204 over Nickel plating per IAW QQ-N-290.
Molded Insulators:	Glass filled polyphenylene sulfide (PPS) per MIL-M-24519.
Screws:	Stainless steel per ASTM-A-582, passivated per ASTM-A-967.
Guide Pins, Guide Sockets:	BeCu per ASTM-B-196, ASTM-B-197, Nickel plated per QQ-N-290.
Connector Markings:	Per MIL-C-55302. Additionally, end row contact numbers are identified on the mating face of the connector and the pin #1 locator identified on the side of the connector base.
Tolerances:	Unless otherwise specified: Fractions = $\pm 1/64$ " Decimals = $\pm .010$ " Angles = $\pm 5^\circ$

Note: AirBorn can manufacture special configurations for your exact specifications.

* = Reference the above listed specifications or an equivalent industry standard when applicable

Performance - Stackable Compliant Pin Connectors (075)

Reference Modified MIL-C-55302, MIL-C-28859, MIL-STD-2166 and ANSI/EIA-616.

Contact Current Rating:	3 Amperes
Operating Temperature:	-65° to +125° C or -85° to +257° F
DWV Test Voltage:	750 V, RMS, 60 Hz @ sea level
Insulation Resistance:	5,000 megohms minimum @ 500 VDC
Durability:	500 connector mating cycles
Contact Resistance:	3 to 5 milliohms (contact length dependent)
Contact Engagement Force:	4.0 oz. (113 g.) maximum w/.0246" dia. test pin
Contact Separation Force:	0.5 oz. (14 g.) minimum w/.0226" dia. test pin.
Total Mating Force:	Maximum, 4.0 oz. (113 g.) X number of contacts Average 2.5 oz. (70 g.) X number of contacts
Compliant Insertion and Removal Forces:	Maximum insertion force ... 22.5 pounds (10.22 Kg.) Minimum retention force after conditioning ... 4.5 pounds (2.04 Kg.)
Suggested Board and Plated Through Hole Requirements:	Board material ... FR-4 with 1.0 oz. copper. Minimum board thickness058". Drilled Hole0319" - .0339". Copper plating thickness0010" minimum Tin-lead plating thickness0003" minimum. Electroplated tin-lead composition ... 63/37 (Sn/Pb) Finished hole diameter028" ±.002

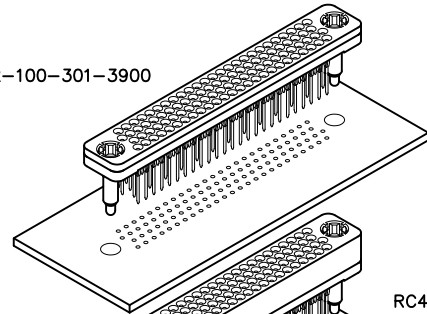
4 · ROW Press Fit Stackable

.075"

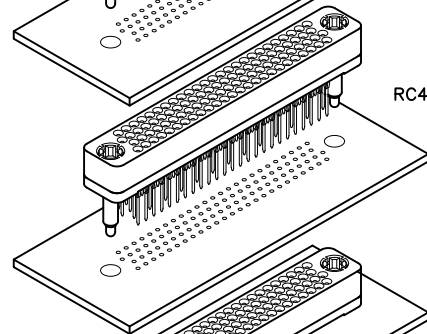
RC4

28 thru 300 Contacts

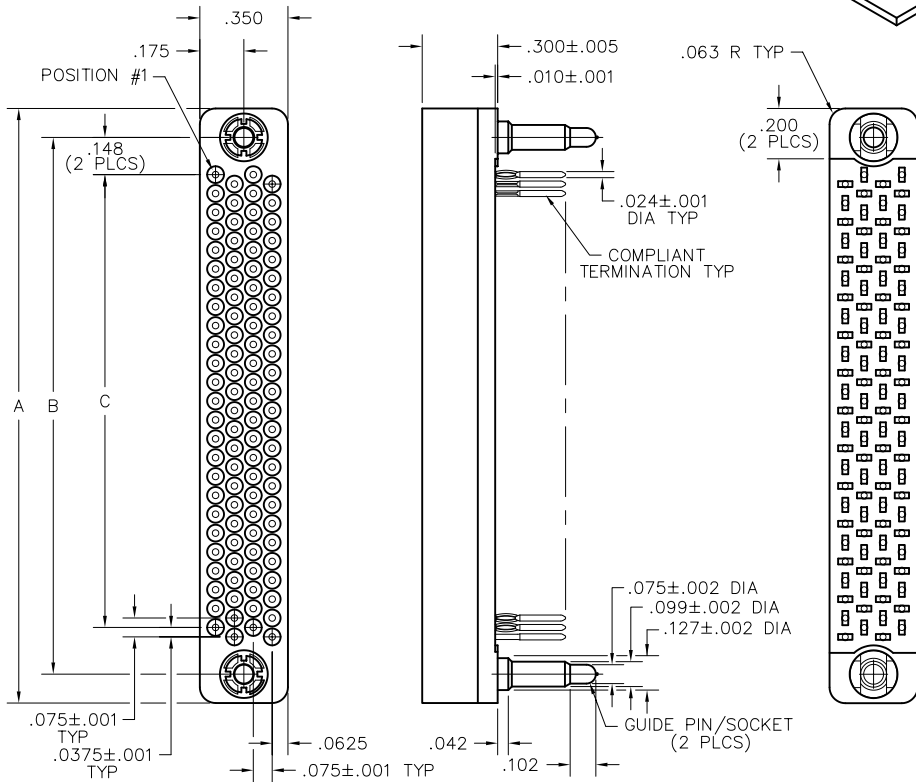
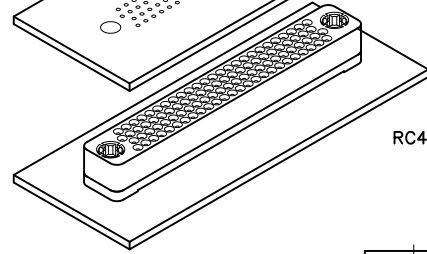
RC442-100-301-3900



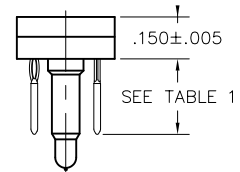
RC422-100-201-3900



RC422-100-101-3000

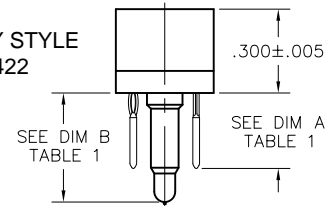


BODY STYLE
442

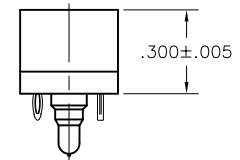


OPTIONAL INSULATOR FOR TOP
CONNECTOR TERMINATION
OPTIONS: 301, 311, 321, 331,
341, 351, 361, 371 AND 381
(W/CIRCUIT TEST POINT)

BODY STYLE
422



BODY STYLE
422



CONTACT/HARDWARE
OPTION 101
(TERMINATES CIRCUIT)

DIMENSIONS			
SIZE	A	B	C
28	1.014	.784	.450
52	1.464	1.234	.900
76	1.914	1.684	1.350
100	2.364	2.134	1.800
128	2.889	2.659	2.325
152	3.339	3.109	2.775
200	4.239	4.009	3.675
252	5.214	4.984	4.650
300	6.114	5.884	5.550

TABLE 1		
CONTACT TERMINATION	CONTACT	HARDWARE
	A	B
201, 301	.270	.370
211, 311	.300	.400
221, 321	.400	.500
231, 331	.500	.600
241, 341	.700	.800
251, 351	.800	.900
261, 361	.900	1.000
271, 371	.600	.700
281, 381	1.000	1.100
101	.095	.195

RC422-100- 211-4000
XXXXX-XXX-XXX-XXXX

SERIES

RC Press fit stackable PC connector

BODY

BODY STYLE:

- 422 4 Row receptacle
- 442 4 Row low profile receptacle (Requires 3XX contact)

SIZE

028, 052, 076, 100, 128, 152, 200, 252, 300

CONTACTS

TYPE CONTACTS/TERMINATIONS:

- 101 Socket contact, press fit tail .095" (Use with body style 422 only)
- 201 Socket contact, press fit tail .270" (Use with body style 422 only)
- 211 Socket contact, press fit tail .300" (Use with body style 422 only)
- 221 Socket contact, press fit tail .400" (Use with body style 422 only)
- 231 Socket contact, press fit tail .500" (Use with body style 422 only)
- 241 Socket contact, press fit tail .700" (Use with body style 422 only)
- 251 Socket contact, press fit tail .800" (Use with body style 422 only)
- 261 Socket contact, press fit tail .900" (Use with body style 422 only)
- 271 Socket contact, press fit tail .600" (Use with body style 422 only)
- 281 Socket contact, press fit tail 1.000" (Use with body style 422 only)
- 301 Press fit tail .270" (Use with body style 442 or 422)
- 311 Press fit tail .300" (Use with body style 442 or 422)
- 321 Press fit tail .400" (Use with body style 442 or 422)
- 331 Press fit tail .500" (Use with body style 442 or 422)
- 341 Press fit tail .700" (Use with body style 442 or 422)
- 351 Press fit tail .800" (Use with body style 442 or 422)
- 361 Press fit tail .900" (Use with body style 442 or 422)
- 371 Press fit tail .600" (Use with body style 442 or 422)
- 381 Press fit tail 1.000" (Use with body style 442 or 422)

HARDWARE

GUIDE HARDWARE

- 3000 Use with -101 contact
- 3900 Use with -201 or -301 contact
- 4000 Use with -211 or -311 contact
- 4100 Use with -221 or -321 contact
- 4200 Use with -231 or -331 contact
- 4300 Use with -241 or -341 contact
- 4400 Use with -251 or -351 contact
- 4500 Use with -261 or -361 contact
- 4600 Use with -271 or -371 contact
- 4700 Use with -281 or -381 contact

FIXED JACKSOCKET (to mate with RC cable only)

- 30FT Use with -101 contact
- 39FT Use with -201 or -301 contact
- 40FT Use with -211 or -311 contact
- 41FT Use with -221 or -321 contact
- 42FT Use with -231 or -331 contact
- 43FT Use with -241 or -341 contact
- 44FT Use with -251 or -351 contact
- 45FT Use with -261 or -361 contact
- 46FT Use with -271 or -371 contact
- 47FT Use with -281 or -381 contact

**CONTACT/
TERMINATION
TYPES**



101



201 251
211 261
221 271
231 281
241



301 351
311 361
321 371
331 381
341

Minimum contact engagement from mating face (.305" insulator height)114"
Maximum contact engagement from mating face (.295" insulator height)214"
Minimum PWB thickness058"

4 Row Press Fit Stackable Tools Available:

Cap Removal Tool - AirBorn part number CDG10056

Contact Removal Tool - AirBorn part number CDG10057

Ask About AirBorn's Accelerated Delivery Service

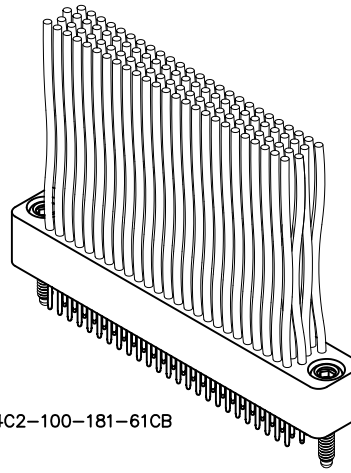


4 · ROW Press Fit Stackable Cable Mate

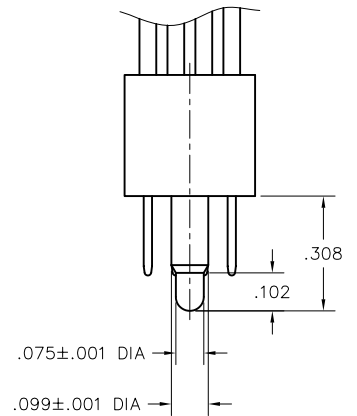
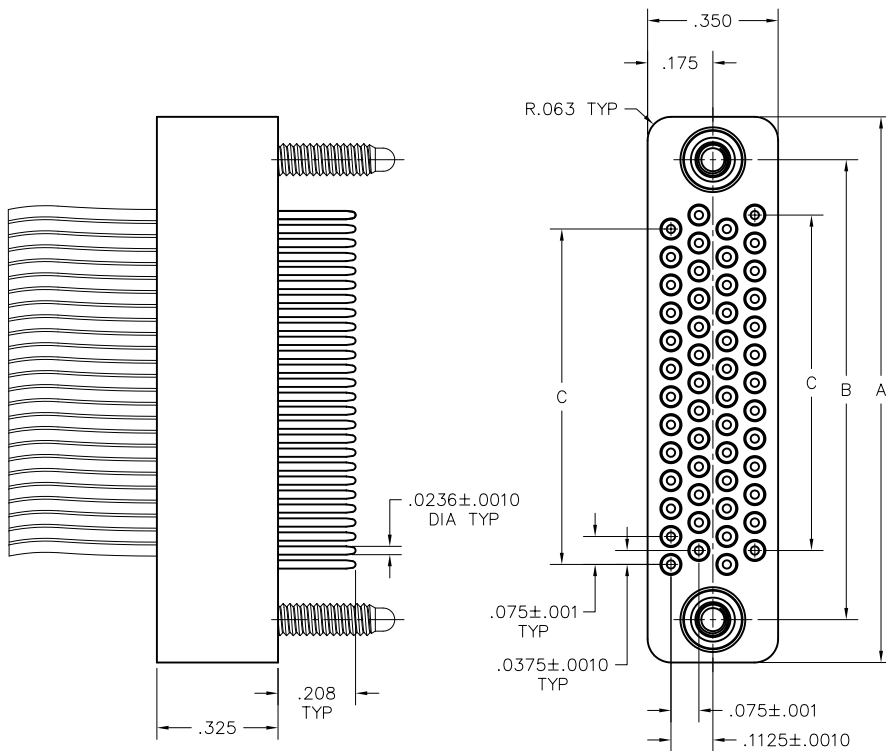
.075"

RC4

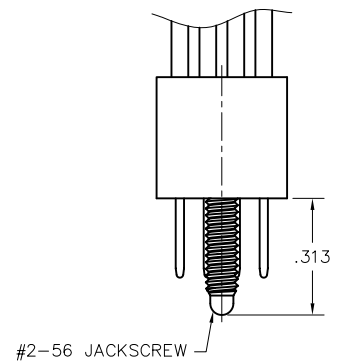
28 thru 152 Contacts



RC4C2-100-181-61CB



HARDWARE STYLE
57



HARDWARE STYLE
61

DIMENSIONS			
SIZE	A	B	C
28	1.014	.784	.450
52	1.464	1.234	.900
76	1.914	1.684	1.350
100	2.364	2.134	1.800
128	2.889	2.659	2.325
152	3.339	3.109	2.775

Call (972) 931-3200 Fax (972) 931-9305 www.AirBorn.com

RC4C2-100-181-61CB
XXXXX-XXX-XXX-XXXX

SERIES	
RC	Press fit stackable PC connector
BODY	
BODY STYLE:	
4C2	4 Row plug with potting well
SIZE	
028, 052, 076, 100, 128, 152	
CONTACTS	
TYPE CONTACTS/TERMINATIONS:	
111	Pin, straight, solder cup
151	Pin, straight, flex circuit
181	Pin, straight, stranded wire (24-26 awg)
191	Pin, straight, stranded wire (28-30 awg)
HARDWARE	
STYLE OF HARDWARE:	
00	None
57	Guide pins, non-polarized
61	Hex turning jackscrews (must have fixed jacksocket hardware on board connector)
WIRE	
00	None (solder cup or flex)
XX	See Wire Codes at right

WIRE CODES

TYPE and COLOR			LENGTH	
Code	Size	Color	Code	Length (+1"/-0")
Mil-W-16878/4				
C	24 awg	Ten repeating	A	6"
D	24 awg	White	B	12"
E	26 awg	Ten repeating	C	18"
F	26 awg	White	D	24"
G	28 awg	Ten repeating	E	30"
H	28 awg	White	F	36"
J	30 awg	Ten repeating	G	42"
K	30 awg	White	H	48"
			J	54"
Mil-W-22759/33				
N	24 awg	Ten repeating	K	60"
P	24 awg	White	L	66"
R	26 awg	Ten repeating	M	72"
S	26 awg	White	N	84"
T	28 awg	Ten repeating	P	96"
U	28 awg	White	R	108"
V	30 awg	Ten repeating	S	120"
W	30 awg	White		

Part number example:

RC4C2-100-181-61CB



Ten repeating colors:

- Black
- Brown
- Red
- Orange
- Yellow
- Green
- Blue
- Violet
- Grey
- White

4 • ROW

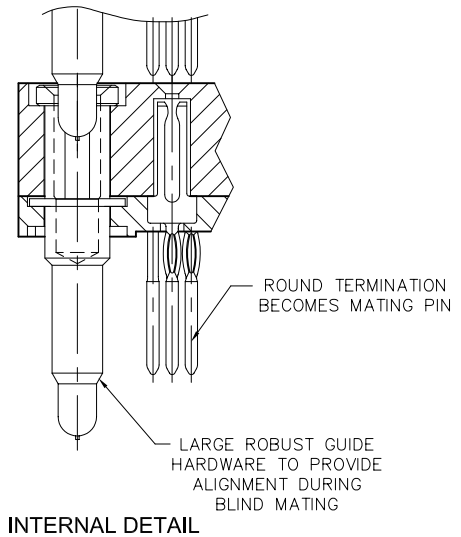
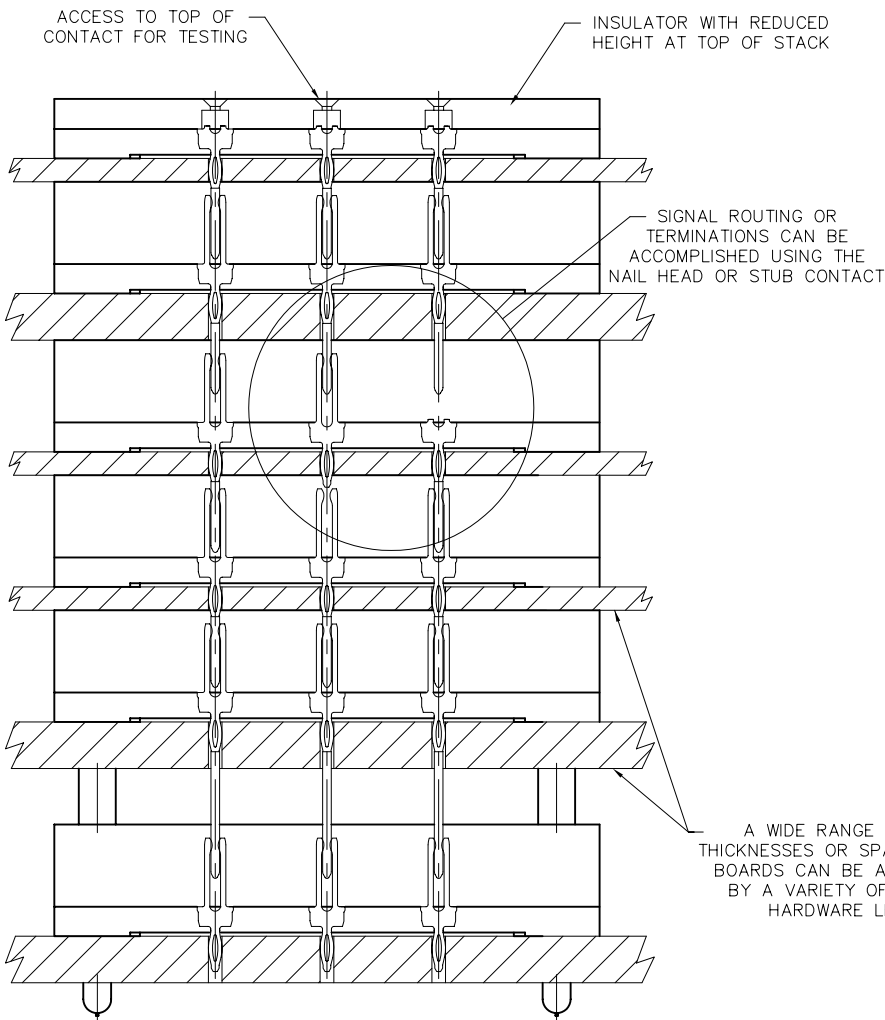
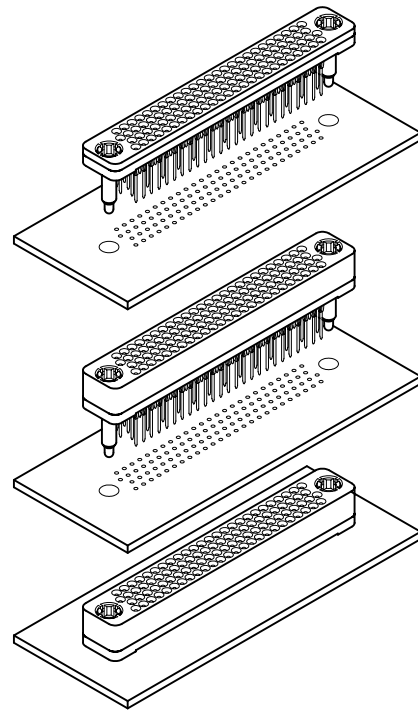
Press Fit Stackable

.075"

RC4

28 thru 300 Contacts

Typical
Applications



ROW · 4

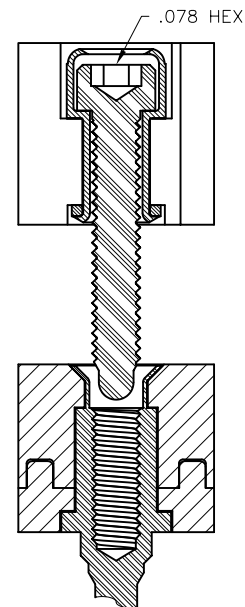
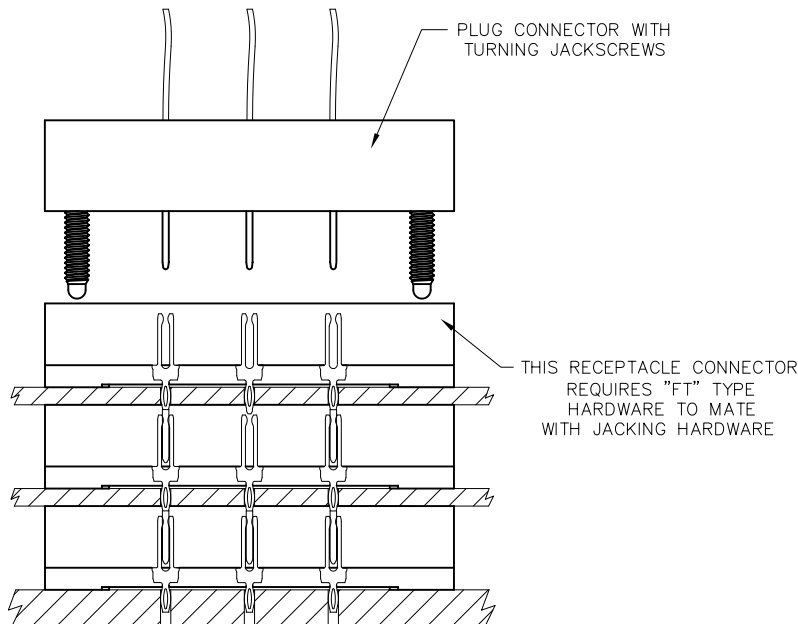
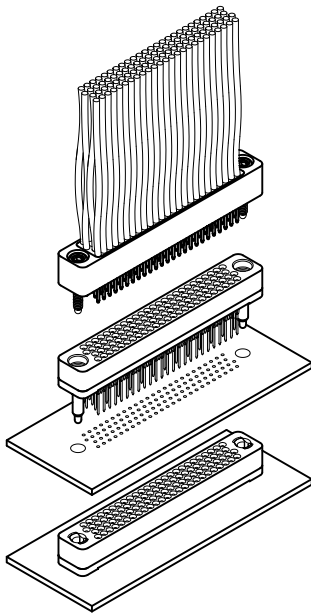
Press Fit Stackable with Cable Mate

.075"

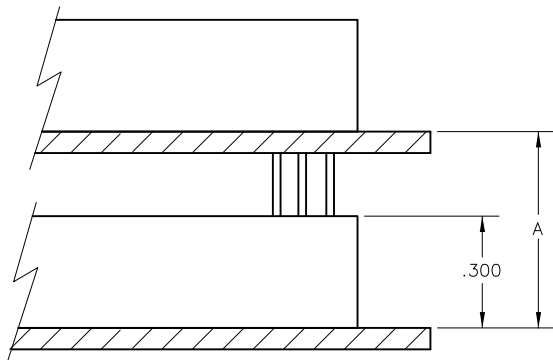
RC4

28 thru 152 Contacts

Typical
Applications



INTERNAL DETAIL



Determine Required Termination Lead Length:

To calculate required termination lead length, use the example below. Measurements listed are in inches.

Dimension A = .720

.720 - .300 (insulator height) = .420

.420 + .114 (minimum pin engagement) = .534

.420 + .214 (maximum pin engagement) = .634

In this example, the termination option to choose is .600 lead length.

The contact termination option will be a length between the minimum and maximum pin engagement measurement. Contact lengths can be found on page R-82.