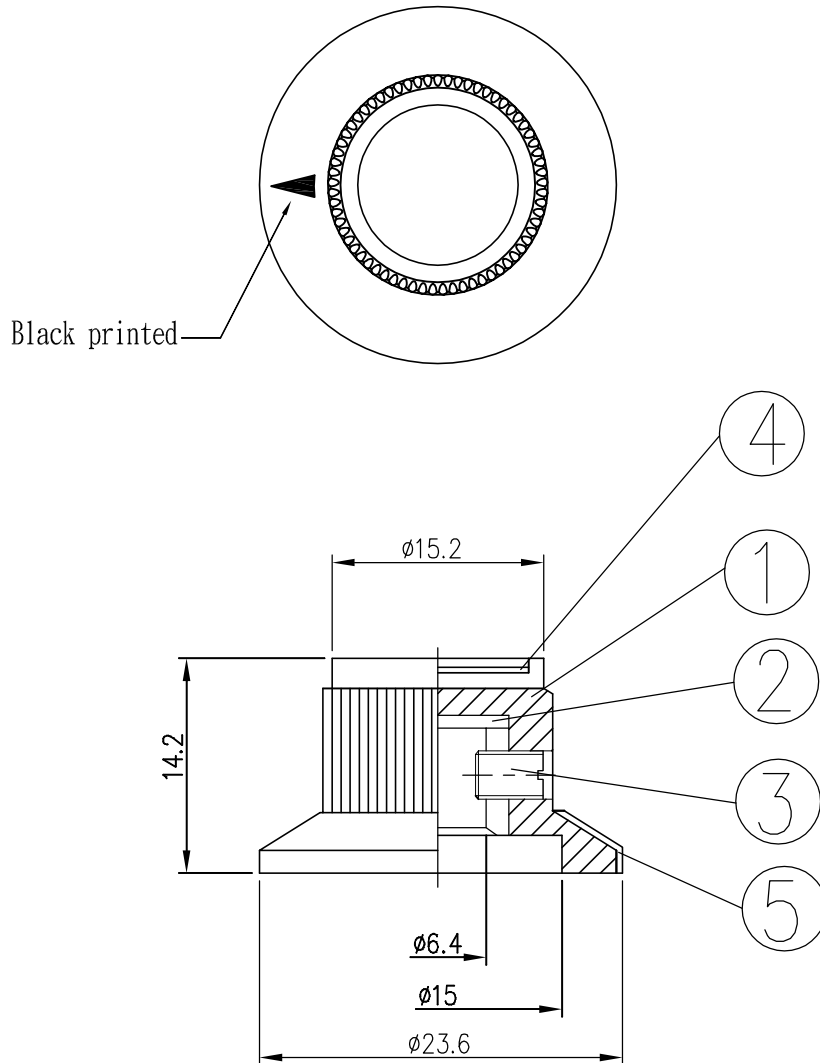


Date	Name	Description	No.
			△
			△



Tolerances $\pm 0.3\text{mm}$ Unless Otherwise Specified

5	Name plate	1	Al			
4	Aluminum plate	1	Al			
3	Screw	1	Brass alloy	M3*P0.5*4L		
2	Metal insert	1	Zinc Alloy	$\phi 9.2*8L*\phi 6.4$		
1	Housing	1	PF			
No	Description	Q'ty	Material	Specification	Finish	Remark
Drawn	Checked	Approved	SCI BOM No.	Model Name	CONTROL KNOBS	
袁浩徐			Customer No.	112-RN-117B/6.4	Model No.	RN-117B
03/05/'20			Unit	mm	Shin Chin Industrial Co., Ltd.	
						Rev. X0