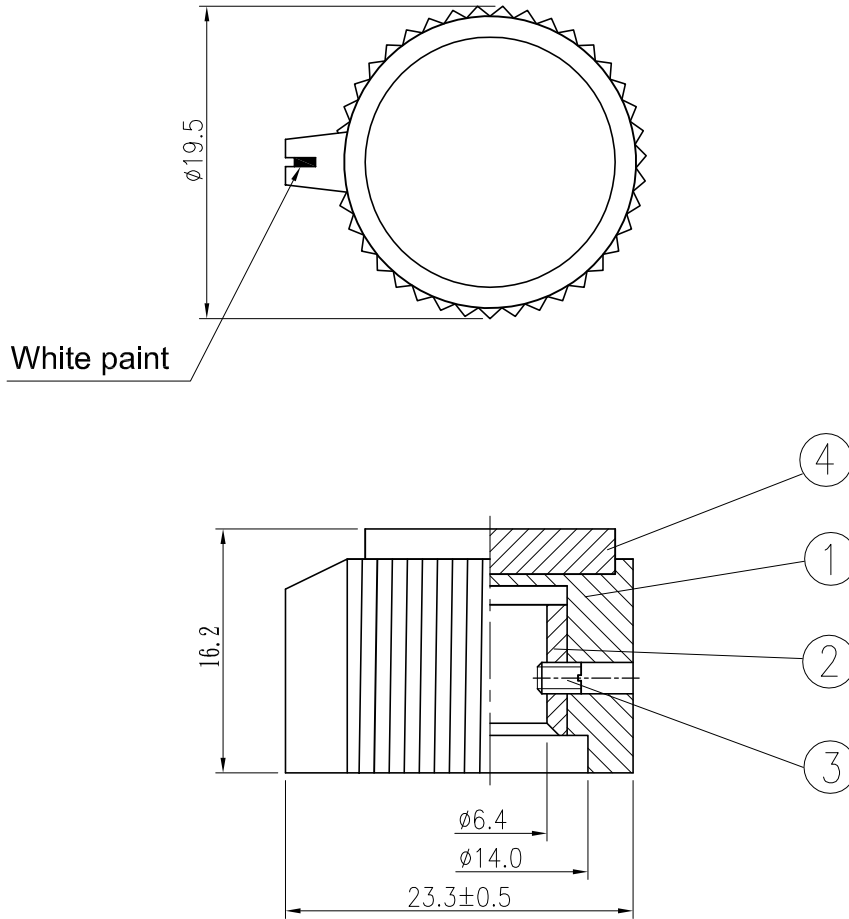


| Date | Name | Description | No. |
|------|------|-------------|-----|
| | | | △ |
| | | | △ |



Shaft Hole: $\phi 6.4$
Tolerances ± 0.3 Unless Otherwise Specified

| 4 | Cover | 1 | ABS | Red | | | |
|-----------|--------------|----------|--------------|------------------------|--------------------------------|---------------|------|
| 3 | Screw | 1 | Brass alloy | M4*P0.7*5L | | | |
| 2 | Metal insert | 1 | Zinc alloy | $\phi 9.2*8L*\phi 6.4$ | | | |
| 1 | Housing | 1 | PF | Black | | | |
| No | Description | Q'ty | Material | Specification | Finish | Remark | |
| Drawn | Checked | Approved | SCI BOM No. | | Model Name | CONTROL KNOBS | |
| 袁浩徐 | | | Customer No. | 112-RN-118E-BR/6.4 | Model No. | RN-118E-BR | Rev. |
| 03/05/'20 | | | Unit | mm | Shin Chin Industrial Co., Ltd. | | X0 |