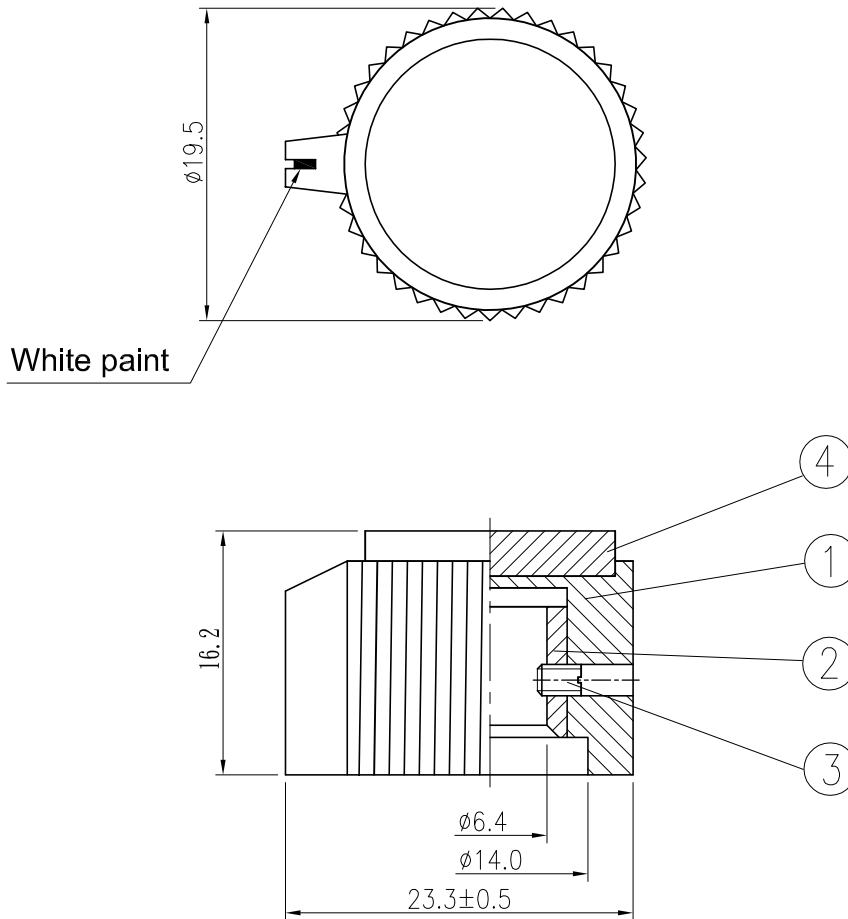


Date	Name	Description	No.
			△
			△



Shaft Hole: $\phi 6.4$

Tolerances ± 0.3 Unless Otherwise Specified

4	Cover	1	ABS	Blue			
3	Screw	1	Brass alloy	M4*P0.7*5L			
2	Metal insert	1	Zinc alloy	$\phi 9.2*8L*\phi 6.4$			
1	Housing	1	PF	Black			
No	Description	Q'ty	Material	Specification	Finish	Remark	
Drawn	Checked	Approved	SCI BOM No.		Model Name	CONTROL KNOBS	
袁浩徐			Customer No.	112-RN-118E-BU/6.4	Model No.	RN-118E-BU	Rev.
03/05/'20			Unit	mm	Shin Chin Industrial Co., Ltd.		X0