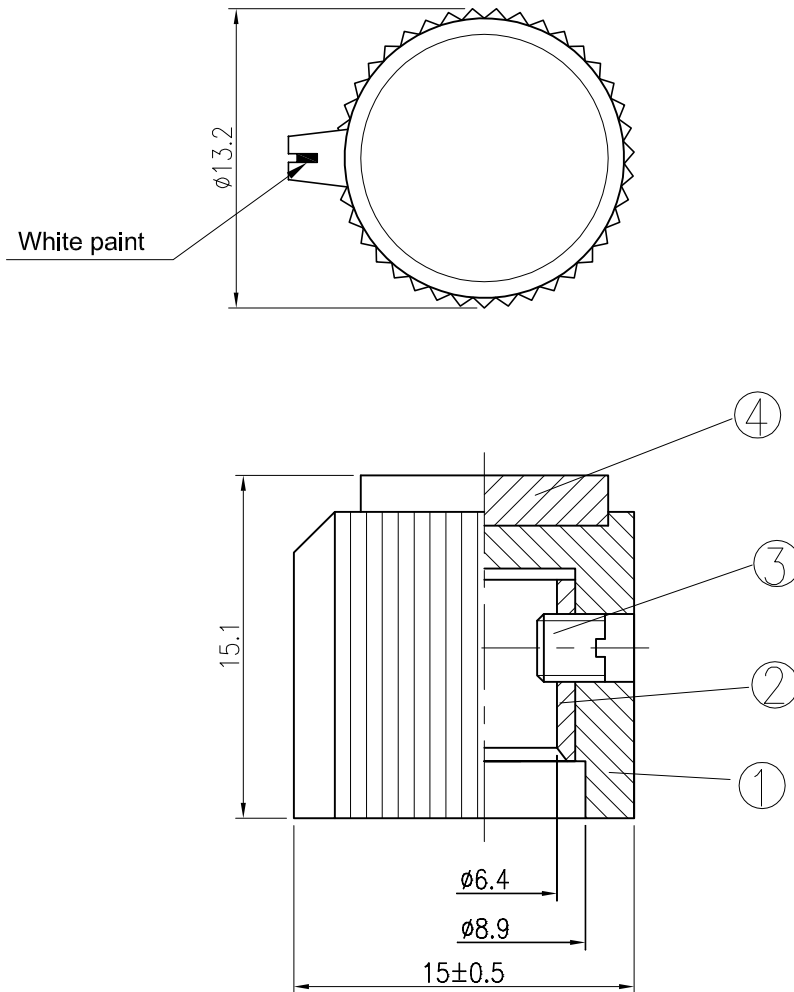


Date	Name	Description	No.
			△



Shaft Hole  $\phi 6.4$

Tolerances  $\pm 0.3$  Unless Otherwise Specified

4	Cover	1	ABS	Yellow		
3	Screw	1	Brass alloy	M3*P0.5*3L		
2	Metal insert	1	Brass alloy	$\phi 8*8L*\phi 6.4$		
1	Housing	1	PF	Black		
No	Description	Q'ty	Material	Specification	Finish	Remark
Drawn	Checked	Approved	SCI BOM No.		Model Name	CONTROL KNOBS
袁浩徐			Customer No.	112-RN-118F-BY/6.4	Model No.	RN-118F-BY
03/05/'20			Unit	mm	Shin Chin Industrial Co., Ltd.	
						Rev. X0