

RN-SMA7-RP Antenna

Features

- Bends and rotates for optimum positioning
- Excellent performance
- Omni-directional pattern
- FCC Part 15-compliant reverse polarity SMA connector

Electrical Specifications

- Center Frequency: 2.4 GHz
- Connector: reverse polarity SMA

Ordering Information

- RN-SMA7-RP (with reverse polarity SMA connector)



Description

The RN-SMA7-RP 2.4 GHz antenna provides excellent performance and positional flexibility in a compact physical package. The antenna's base can bend and swivel so that you can orient it in the optimum position. You can easily mount the antenna to Roving Networks modules via an FCC Part 15-compliant reverse polarity SMA connector.

Figure 1 shows the antenna dimensions.

Figure 1. Antenna Dimensions

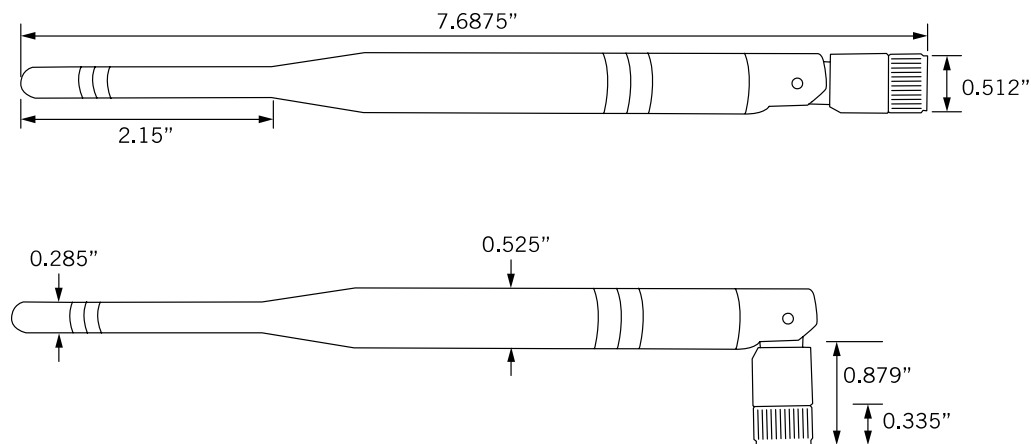


Figure 2 shows the testing environment.

Figure 2. Testing Environment

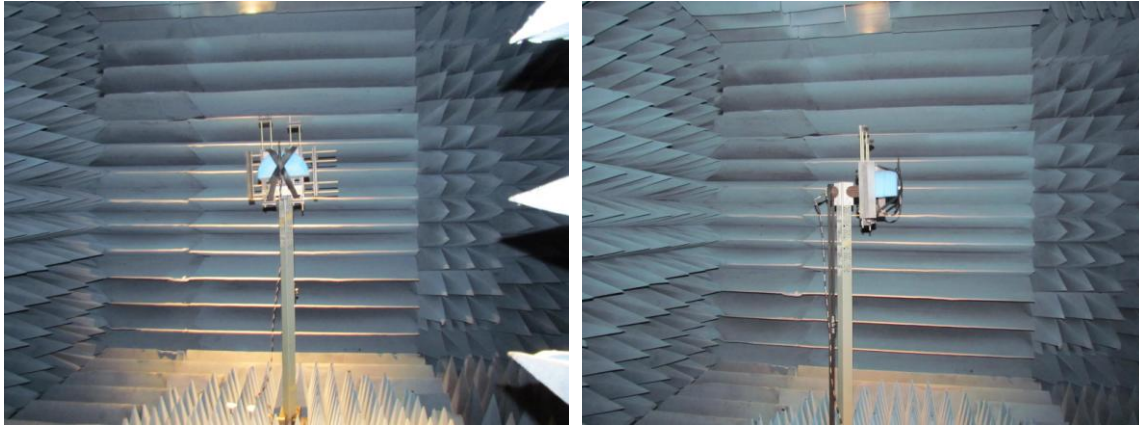
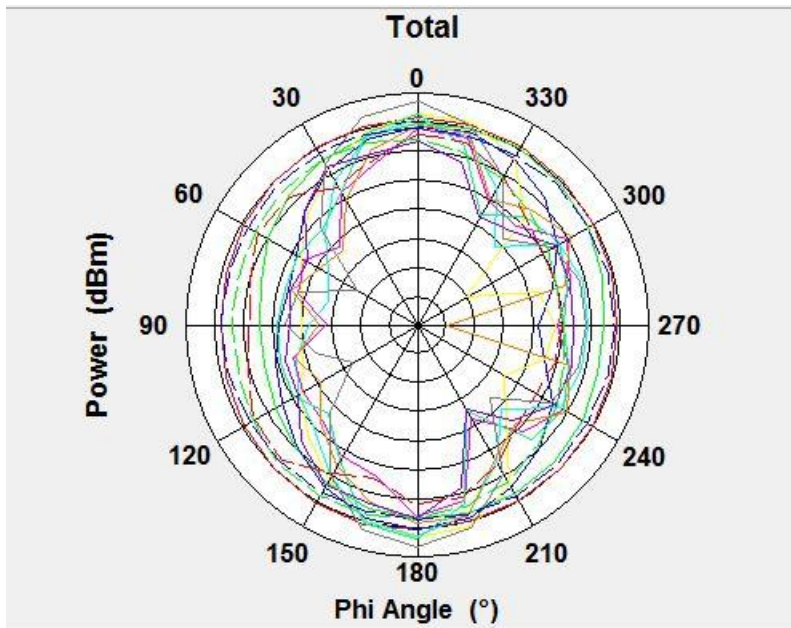


Figure 3 shows the antenna's polar plot.

Figure 3. Polar Plot

Max: 10
 Min: -30
 Scale: 5/div



Visit <http://www.rovingnetworks.com> for current pricing and a list of distributors carrying our products.