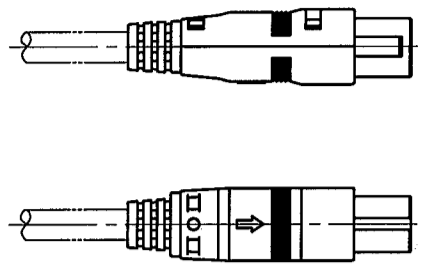
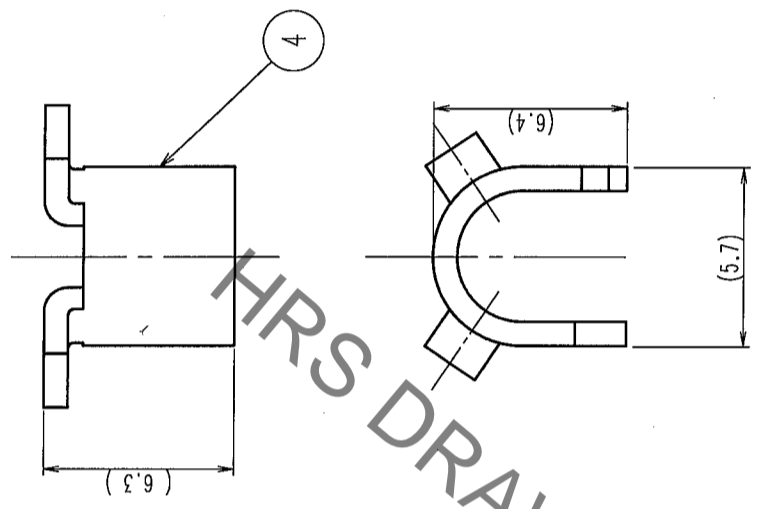
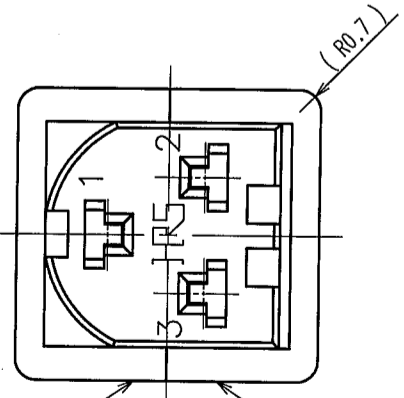
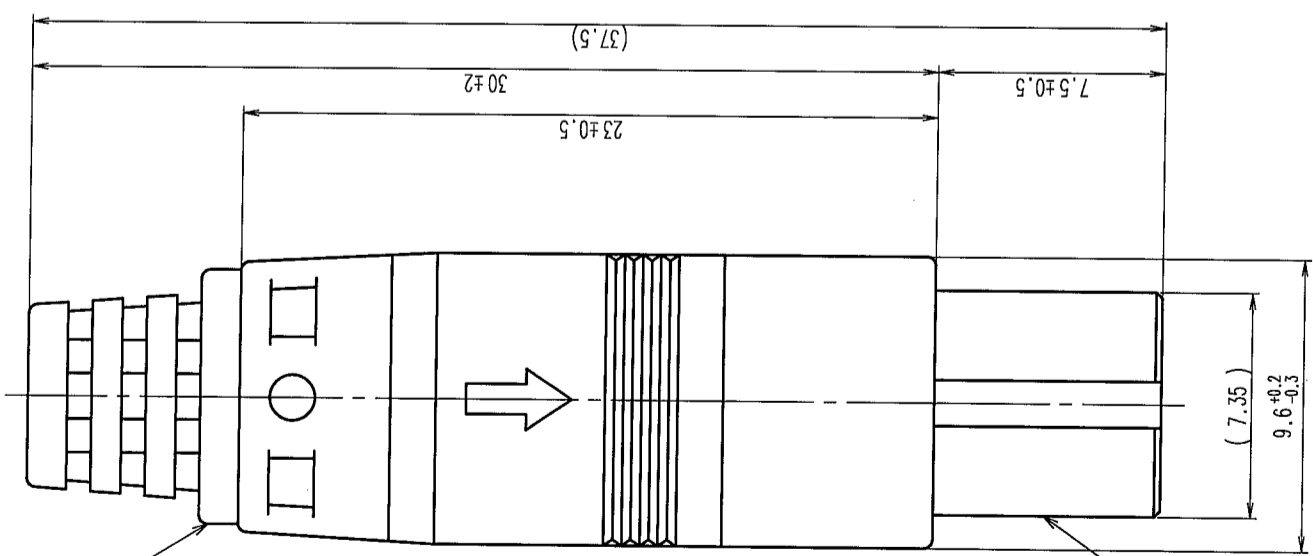
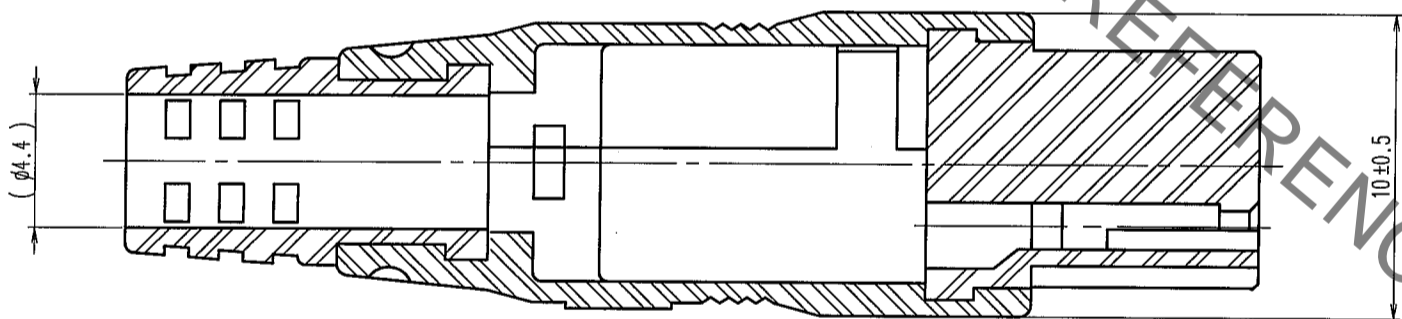


COUNT	DESCRIPTION OF REVISIONS	BY	CHKD	DATE	COUNT	DESCRIPTION OF REVISIONS	BY	CHKD	DATE
△					△				
△					△				
△					△				



1:1

- NOTE 1 APPLICABLE CRIMP CONTACT: RP34-SC-212
 2 APPLICABLE CRIMP CONTACT EXTRACTION TOOL: RP34-SC-TP
 3 APPLICABLE CLAMPING TOOL: RP34-TC-01
 4 THIS PRODUCT DISASSEMBLED WHEN DELIVERED.

3	POLYCARBONATE (BLACK) UL94V-0				
2	POLYCARBONATE (BLACK) UL94V-0	5	PVC	(BLACK) UL94V-0	
1	POLYCARBONATE (BLACK) UL94V-0	4	BRASS		
NO.	MATERIAL	FINISH, REMARKS	NO.	MATERIAL	FINISH, REMARKS
CODE NO. (OLD) CL					
DRAWN M. Ishihara		DESIGNED E. Yumino		CHECKED H. Zemba	
SCALE 4 : 1		APPROVED M. Sato		RELEASED	
UNITS mm		DATE 05.09.26		DATE 05.09.26	
DRAWING NO. EDC3-045015-71			PART NO. RP34-8SP-3SC(71)		
CODE NO. (OLD)			CODE NO. CL113-5049-1-71		



HIROSE ELECTRIC CO., LTD