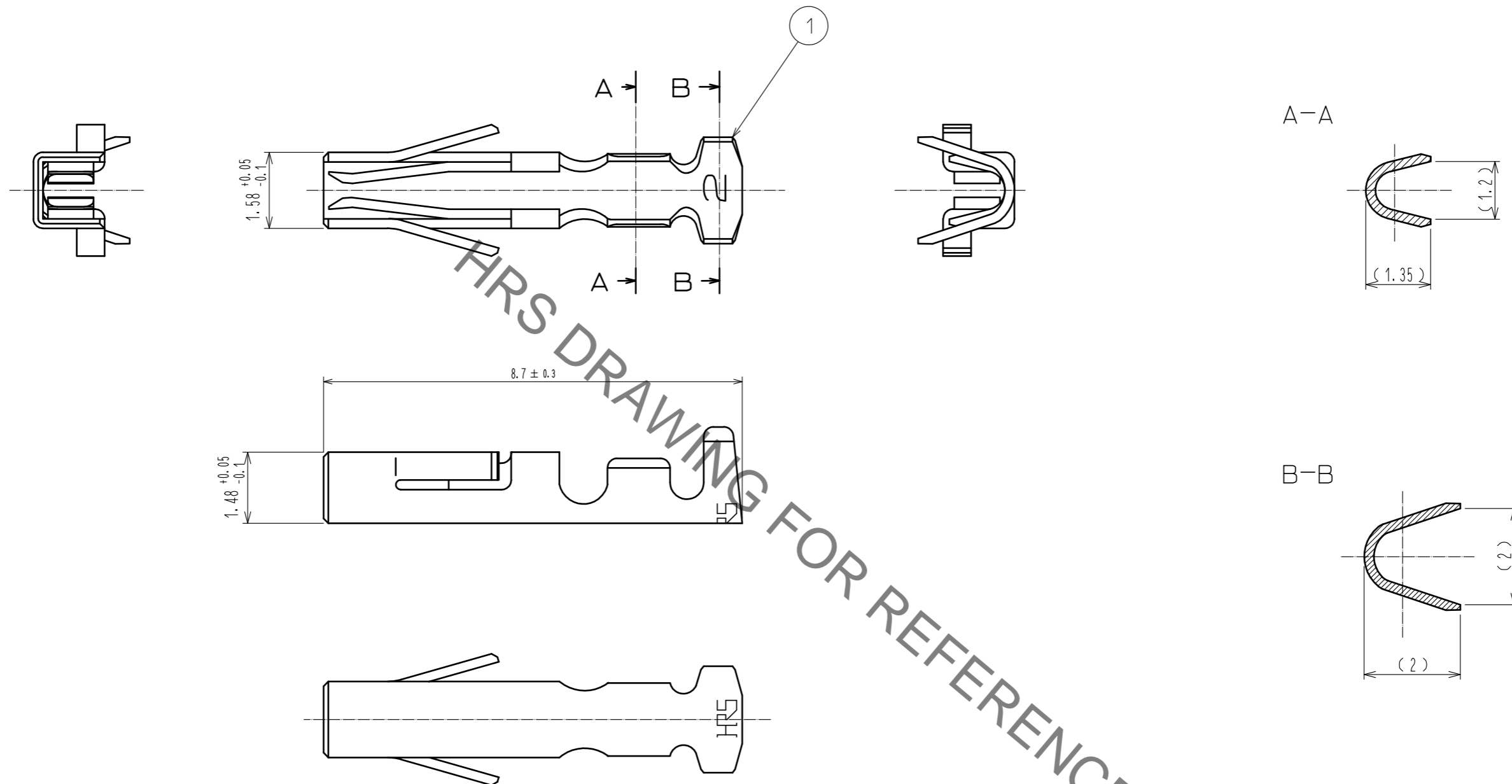


Jan.1.2022 Copyright 2022 HIROSE ELECTRIC CO., LTD. All Rights Reserved.
 In case of consideration for using Automotive equipment / device which demand high reliability, kindly contact our sales window correspondents.

1 2 3 4 5 6 7 8

A
B
C
D
E
F

A
B
C
D
E
F



- Notes 1 Applicable wire : AWG#24 TO 28(Wire jacket diameter ϕ 1.5 Max.)
 2 Applicable hand crimping tool:RP34-TA2428HC

1	Phosphor bronze	Silver plating (100pcs/bag)			
NO.	MATERIAL	FINISH . REMARKS	NO.	MATERIAL	FINISH . REMARKS
UNITS mm			SCALE 10 : 1		COUNT
			DESCRIPTION OF REVISIONS		DESIGNED
					CHECKED
					DATE
HRS HIROSE ELECTRIC CO., LTD.			APPROVED :EJ. KUNII	16.02.25	DRAWING NO. EDC-110285-00-00
			CHECKED :EJ. KUNII	16.02.25	PART NO. RP34-SC-122
			DESIGNED :MM. ISHII	16.02.24	CODE NO. CL113-5102-2-00
			DRAWN :MM. ISHII	16.02.24	