

# Industrial Relay Type RPY 1 16A Monostable



- High switching power
- Small size
- Wide range of applications
- 16A switching capacity
- 1 pole with 2 terminals
- Flanged (blade) pins 5mm (0.20")
- DC coils from 6 to 240V
- AC coils from 6 to 380V
- High sensitivity
- Compliant with CE low voltage directive
- TÜV, UL, CSA approved

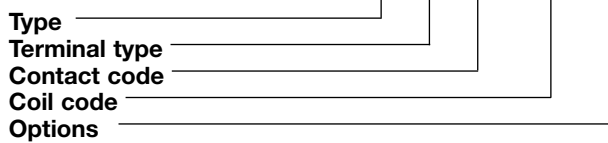
## Product Description

The RPY relay can be used for a wide range of industrial applications.

Available in 1, 2, 3, 4 pole change-over contact configuration. Its wide terminals allow reliability big currents.

## Ordering Key

**RPY A 001 A24 DLT**



Terminal type: A= Plug in terminals, blades  
B= PCB terminals

Box content: 20 relays  
Box size: (W 240 x D 105 x H 38) mm Weight: 750g  
(W 9.45 x D 4.13 x H 1.50) inches Weight: 26.45oz

## Approvals



## Type Selection

Contact configuration	Contact rating	Contact code
1 change over contact (DPDT- 1form C)	16A	001

## Coil Characteristics, DC @ +25°C (+77°F), coil power 900mW

Coil Code	Nominal Voltage VDC	Pick-up Voltage VDC	Drop-out Voltage VDC	Max.Allowed Voltage VDC	Coil Current mA	Coil Resistance Ω
6	6	4.5	0.60	6.6	150	40
9	9	6.75	0.90	9.9	100	90
12	12	9	1.20	13.2	75	160
24	24	18	2.40	26.4	36.9	650
36	36	27	3.60	39.6	24	1500
48	48	36	4.80	52.8	18.5	2600
100	100	75	10	110	9.09	11000
110	110	82.5	11	121	10	11000
220	220	165	22	242	5.24	42000
240	240	180	24	264	3.75	64000

## Coil Characteristics, AC @ +25°C (+77°F), coil power 1.2V A

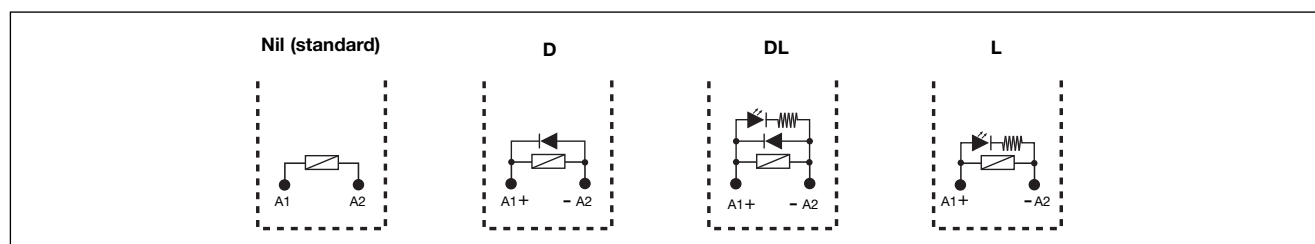
Coil Code	Nominal Voltage VAC	Pick-up Voltage VAC	Drop-out Voltage VAC	Max. Allowed Voltage VAC	Coil Current mA		Coil Resistance Ω
					50Hz	60Hz	
A6	6	6	1.8	6.6	230	200	11.5
A12	12	12	3.6	13.2	120	1000	40
A24	24	24	7.2	26.4	57.5	50	160
A36	36	36	10.8	39.6	38	33	370
A48	48	48	14.4	52.8	28.75	25	600
A110	100/110	110	33	121	12.7	11	3750
A120	120	120	36	142	11.5	10	3900
A220	220	220	66	242	6.3	5.5	13000
A240	240	240	72	264	5.75	5	18790
A380	380	380	114	418	3.62	3.15	42000

## Options

Nil = Standard (fig. 1)  
D = Free Wheeling Diode (DC coil only)  
F = Flange Mount (fig. 2)  
F1 = Lateral Flange (fig. 3)  
G = Gold Plated Contacts

L = LED  
T = Test Button

**Note:**  
In case of more options use the alphabetical order for coding.  
LED and test button are not available on flange mount version



## Contact Characteristics

<b>Contact Rating (With resistive load)</b>	16A - 250VAC	<b>Max Switching Power</b>	4000VA / 450W
<b>Rated values</b>	16A-250VAC / 28VDC	<b>Life</b>	
<b>Material</b>	AgSnO <sub>2</sub> In <sub>2</sub> O <sub>3</sub>	Electrical life	1x10 <sup>5</sup> cycles (3600ops/h)
<b>Contact Resistance</b>	≤50mΩ	Mechanical	1x10 <sup>7</sup> cycles (18000ops/h)
<b>Current</b>		<b>UL/CSA ratings</b>	1/2Hp 120VAC
Max. switching current	16A		1Hp 240VAC
Min. switching current	10mA @ 12VDC		16A @ 30VDC
Min. switching current G version	1mA @ 6VDC		16A @ 250VAC

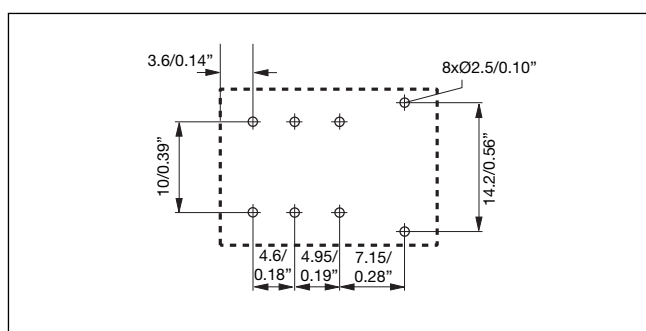
## Insulation

<b>Test voltage</b> (1min.)		<b>Insulation According to EN61810-5</b>	
Between coil and contacts	2000VAC	Rated insulation voltage	250V
Between open contacts	1200VAC	Impulsive insulation	2kV
Contact / contact	1200VAC	Overvoltage category	II
<b>Insulation resistance</b>	≥1000MΩ - 500V		

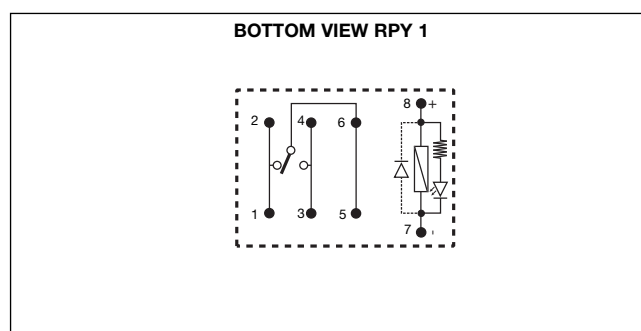
## General Data

<b>Nominal coil power</b>	<b>0.9W DC – 1.2VA AC</b>	<b>Vibration resistance</b>	<b>10 to 55Hz 1mm (0.04")</b>
<b>Operating time</b> (at nominal voltage)	<b>≤20ms</b>	<b>Shock resistance</b> Functional	<b>98m/s<sup>2</sup> (10G)</b>
<b>Release time</b> (at nominal voltage)	<b>≤20ms</b>	<b>Termination</b>	<b>Flanges (blades) 5mm (0.20")</b>
<b>Ambient temperature</b>	<b>-25° to + 55°C (-13° to +131°F)</b>	<b>Construction</b>	<b>Dust cover IP 40</b>
<b>Ambient humidity</b>	<b>35% to 85%</b>	<b>Weight</b>	<b>35g (1.23oz)</b>

## Pin View mm/inches



## Wiring Diagram



## Dimensions mm/inches

