

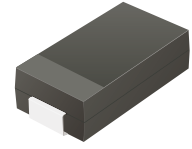
RS1A-HF Thru. RS1M-HF

Reverse Voltage: 50 to 1000 Volts

Forward Current: 1 Amp

RoHS Device

Halogen Free

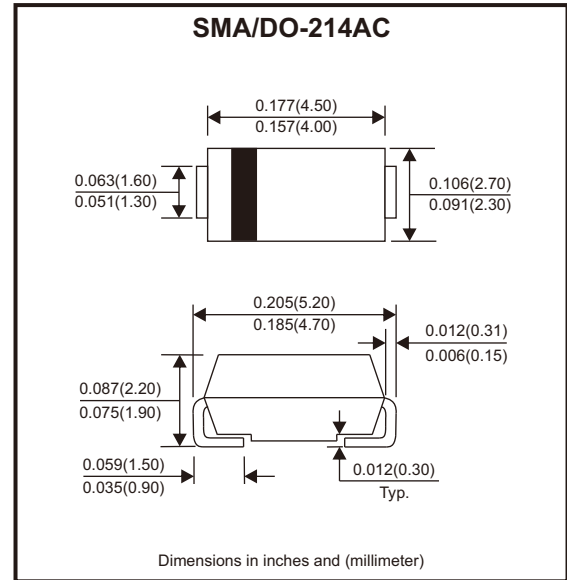


Features

- For surface mounted applications.
- Low profile package.
- Glass passivated chip junction.
- Easy to pick and place.
- Fast reverse recovery time.

Mechanical data

- Case: SMA
- Terminals: Solderable per MIL-STD-750, method 2026.



Circuit Diagram



Maximum Ratings and Electrical Characteristics

Ratings at 25°C ambient temperature unless otherwise specified.
Single phase, half wave, 60Hz resistive or inductive load, for capacitive load, derate by 20%

Parameter	Symbols	RS1A -HF	RS1B -HF	RS1D -HF	RS1G -HF	RS1J -HF	RS1K -HF	RS1M -HF	Units
Maximum repetitive peak reverse voltage	V _{RRM}	50	100	200	400	600	800	1000	V
Maximum RMS voltage	V _{RMS}	35	70	140	280	420	560	700	V
Maximum DC blocking voltage	V _{DC}	50	100	200	400	600	800	1000	V
Maximum average forward rectified current at T _c = 125°C	I _{F(AV)}	1							A
Peak forward surge current, 8.3ms single half sine-wave superimposed on rated load	I _{FSM}	30							A
Max. forward voltage at 1A	V _F	1.3							V
Maximum DC reverse current at rated DC blocking voltage T _a = 25°C T _a = 125°C	I _R	5 50							μA
Typical junction capacitance at V _R = 4V, f = 1MHz	C _j	15							pF
Maximum reverse recovery time (Note 1)	t _{rr}	150				250	500		ns
Typical thermal resistance (Note 2)	R _{θJA}	75							°C/W
Operating and storage temperature range	T _j , T _{stg}	-55 ~ +150							°C

Notes: 1. Measured with I_F = 0.5A, I_R = 1A, I_{rr} = 0.25A.
2. P.C.B. mounted with 1.0 x 1.0" (2.54 x 2.54 cm) copper pad areas.

Company reserves the right to improve product design, functions and reliability without notice.

REV:A

Rating and Characteristic Curves (RS1A-HF Thru. RS1M-HF)

Fig.1 - Forward Current Derating Curve

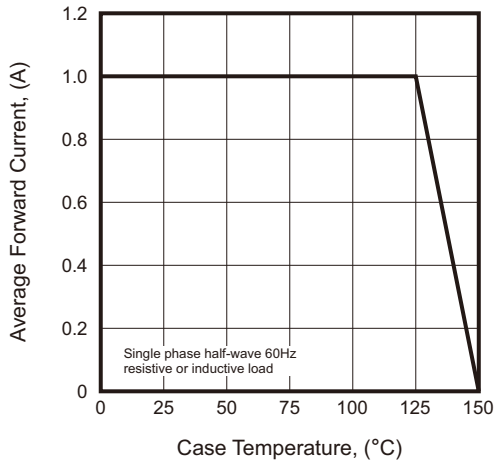


Fig.2 - Typical Reverse Characteristics

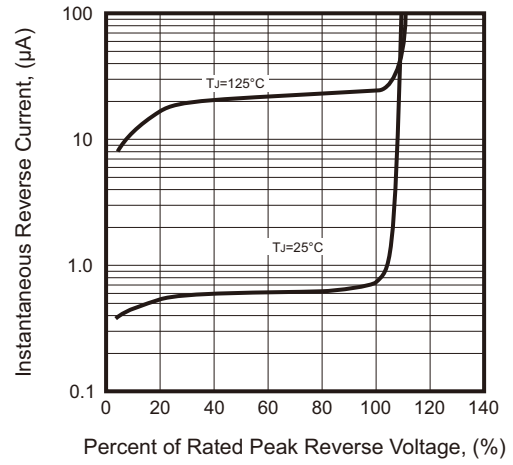


Fig.3 - Typical Instantaneous Forward Characteristic

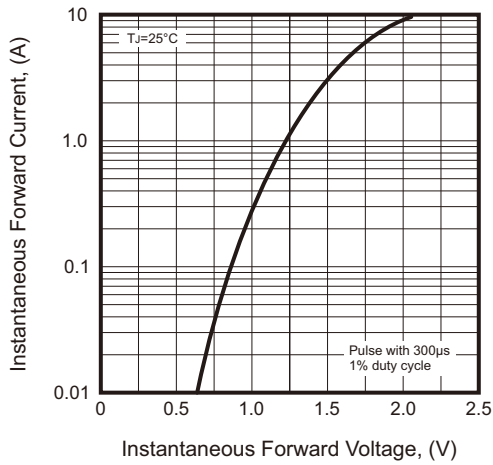


Fig.4 - Typical Junction Capacitance

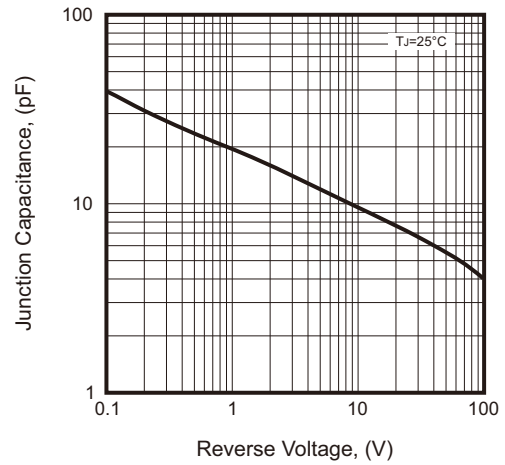
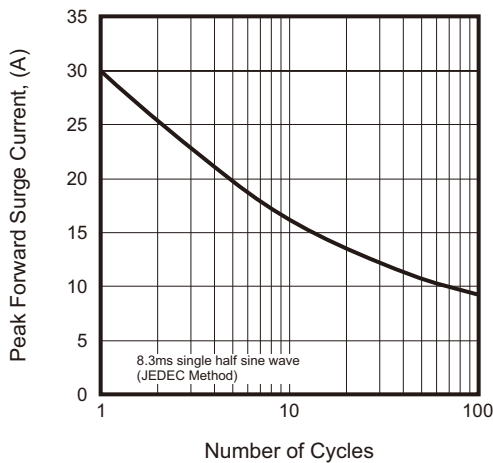
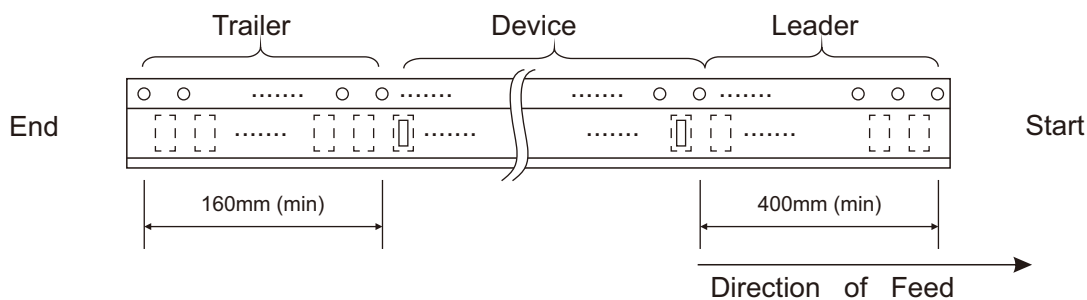
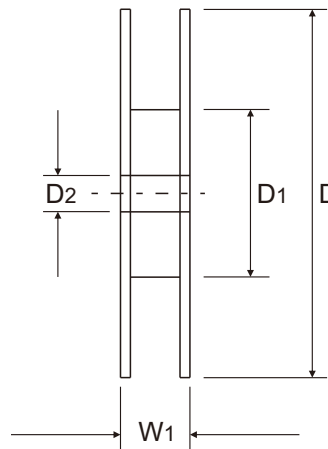
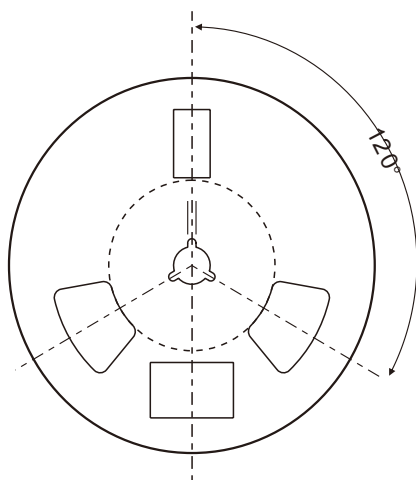
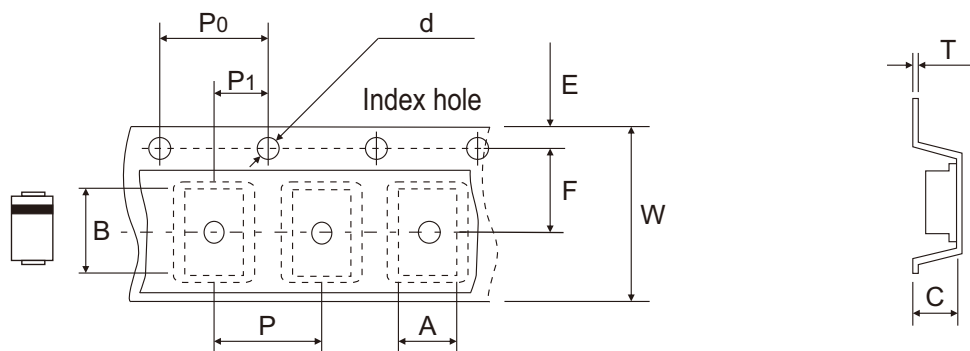


Fig.5 - Maximum Non-Repetitive Peak Forward Surge Current



Company reserves the right to improve product design, functions and reliability without notice.

Reel Taping Specification



DO-214AC (SMA)	SYMBOL	A	B	C	d	D	D1	D2
	(mm)	2.70 ± 0.10	5.33 ± 0.10	2.35 ± 0.10	1.55 ± 0.05	330 ± 2.00	75.00 ± 1.00	13.00 ± 0.20
	(inch)	0.106 ± 0.004	0.210 ± 0.004	0.093 ± 0.004	0.061 ± 0.002	12.992 ± 0.079	2.953 ± 0.039	0.512 ± 0.008

DO-214AC (SMA)	SYMBOL	E	F	P	P0	P1	T	W	W1
	(mm)	1.75 ± 0.10	5.50 ± 0.05	4.00 ± 0.10	4.00 ± 0.10	2.00 ± 0.10	0.20 ± 0.03	12.00 ± 0.30	14.70 + 2.00 - 1.00
	(inch)	0.069 ± 0.004	0.217 ± 0.002	0.157 ± 0.004	0.157 ± 0.004	0.079 ± 0.004	0.008 ± 0.001	0.472 ± 0.012	0.579 + 0.079 - 0.039

Company reserves the right to improve product design, functions and reliability without notice.

REV:A