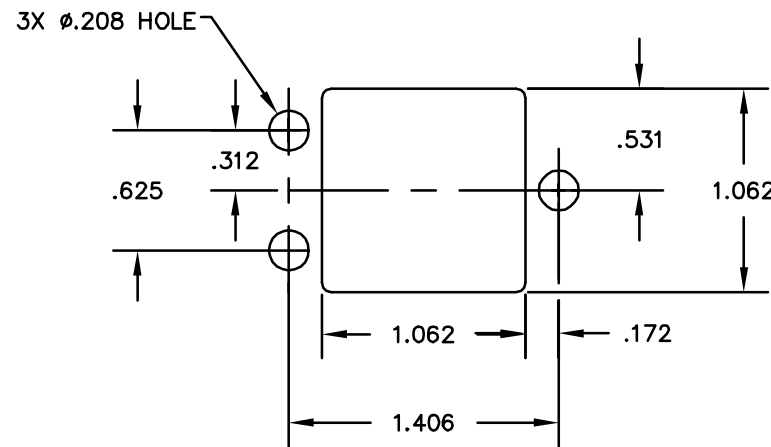
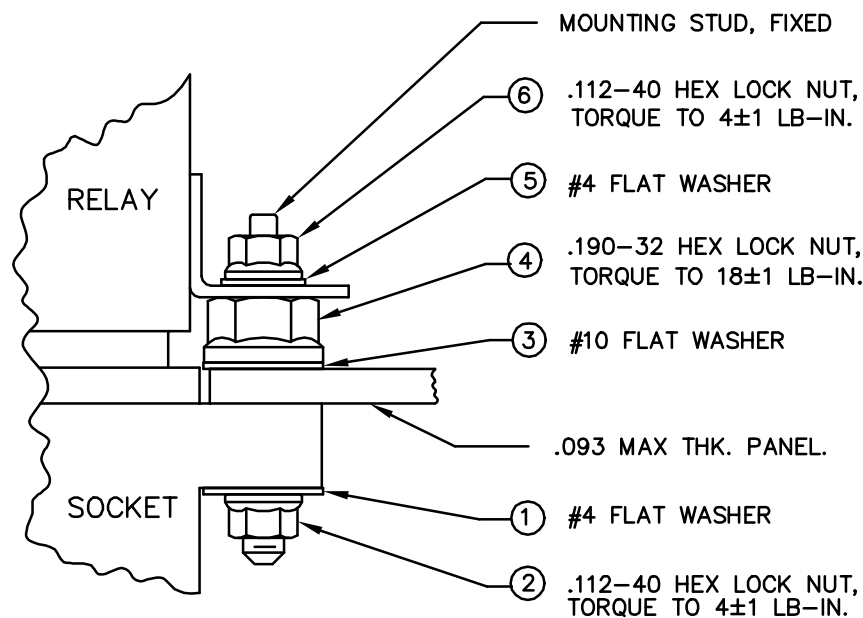
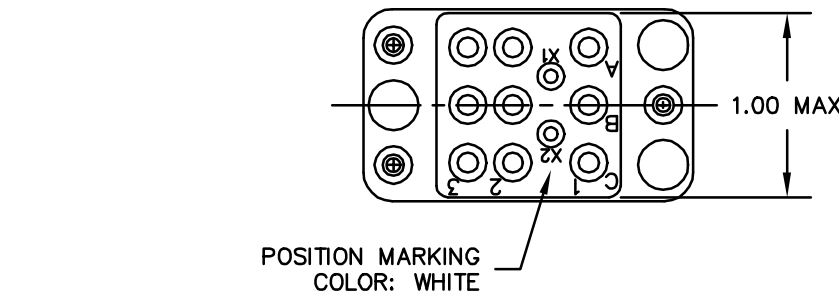
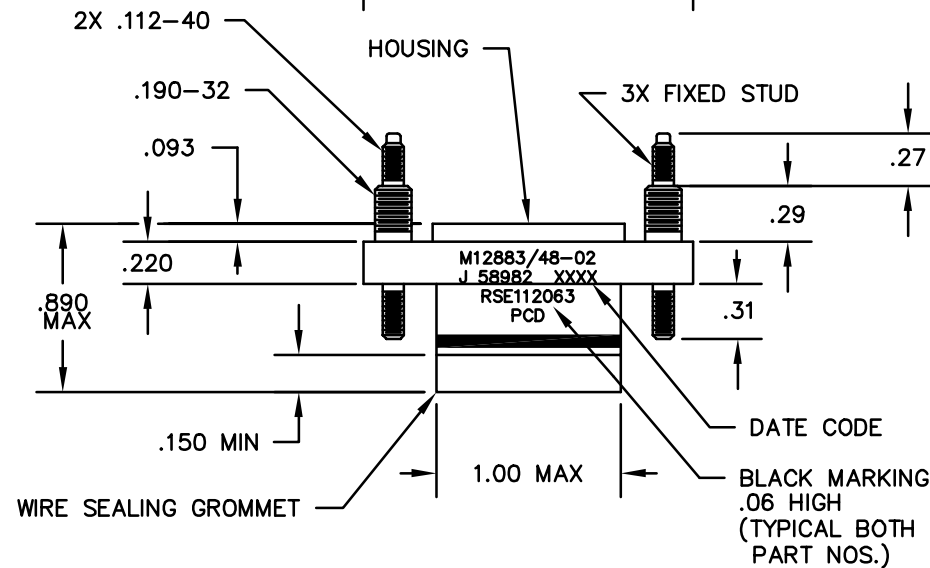
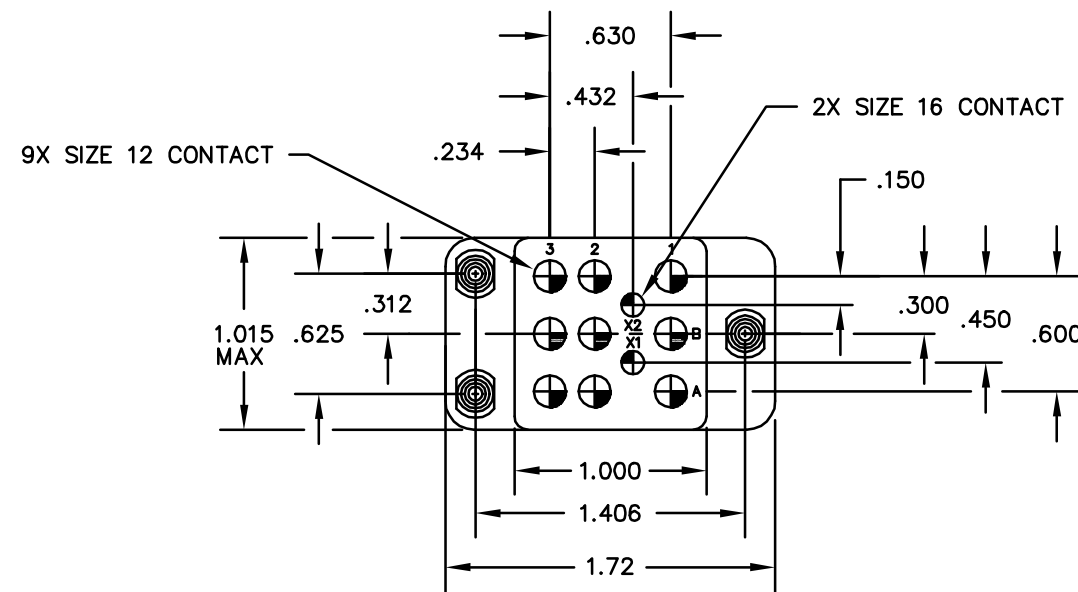


REV	ECN	APP'D
K	2949	



RECOMMENDED MOUNTING PANEL HOLE



MOUNTING HARDWARE
INSTALLATION SEQUENCE BY ITEM NUMBER
TYP 3 PLACES

- NOTES:
- CONFORMS TO PERFORMANCE REQUIREMENTS OF MIL-PRF-12883
 - MATERIALS:
 - A. HOUSING - POLYETHERIMIDE, COLOR: BLUE-GREEN.
 - B. GROMMET - SILICONE ELASTOMER, COLOR: RED.
 - SOCKET CONTACTS CONFORM TO PERFORMANCE REQUIREMENTS OF MIL-C-39029, GOLD OVER NICKEL PLATE.
 - COMPLETE MOUNTING HARDWARE SUPPLIED.
 - OPERATING TEMPERATURE: +125°C/-65°C CONTINUOUS.
 - CONTACT INSTALLATION TOOLS:

	#12 CONTACT	#16 CONTACT
CRIMP TOOL:	M22520/1-01	M22520/1-01
POSITIONER:	M22520/1-02	M22520/1-02
INSERTION/REMOVAL:	M81969/14-04	M81969/14-03.

PART NO.	CONTACTS SUPPLIED	
	SZ 12/12 CNS128900	SZ 16/16 CNS126900
RSE112062	-	-
RSE112063	9	2

DIMENSIONS ANSI Y14.5M UNITS: INCHES ACAD FILE	TOLERANCES .XX ±.01 .XXX ±.005 ANGLES ±2°	PROJECTION 	SPECIFICATION DRAWING ENGR A. PATRIE 9/17/98 CHKD APPD		TITLE RELAY SOCKET SIZE 12 & 16 FIXED STUD
ORIGINAL	THIS DOCUMENT CONTAINS PROPRIETARY INFORMATION WHICH IS THE CONFIDENTIAL PROPERTY OF PCD, INC. PEABODY, MA, USA			SIZE B	DWG NO. RSE112062
				CODE: 58982	SCALE: 1:1
					SHEET 1 OF 1