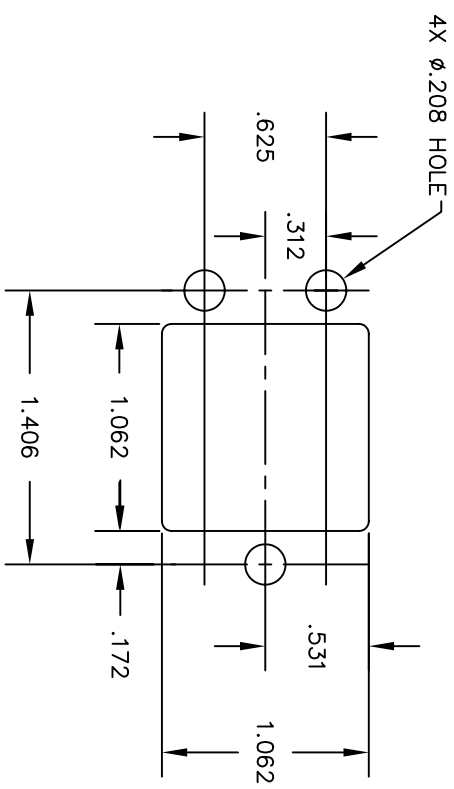
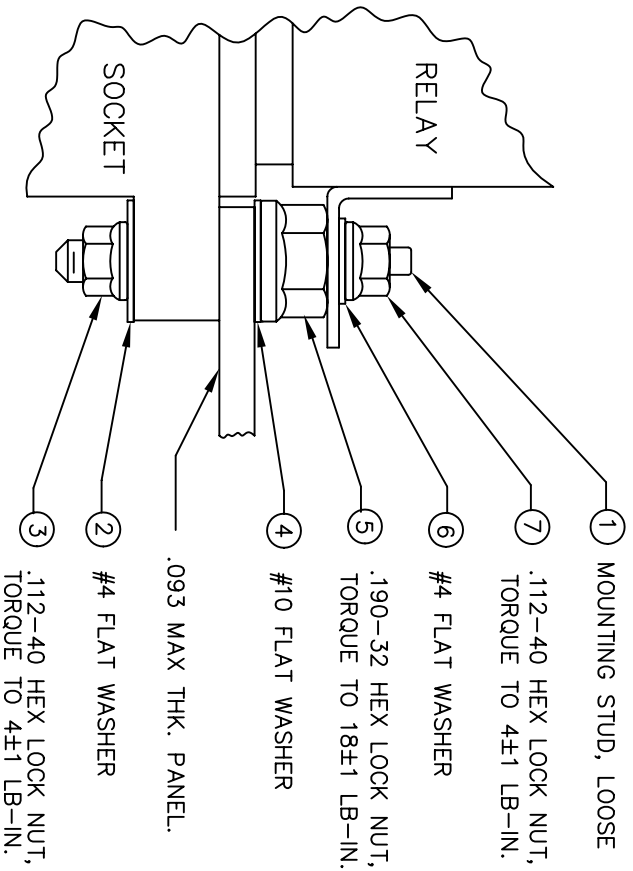


REV	ECN	APP'D
-	5689	

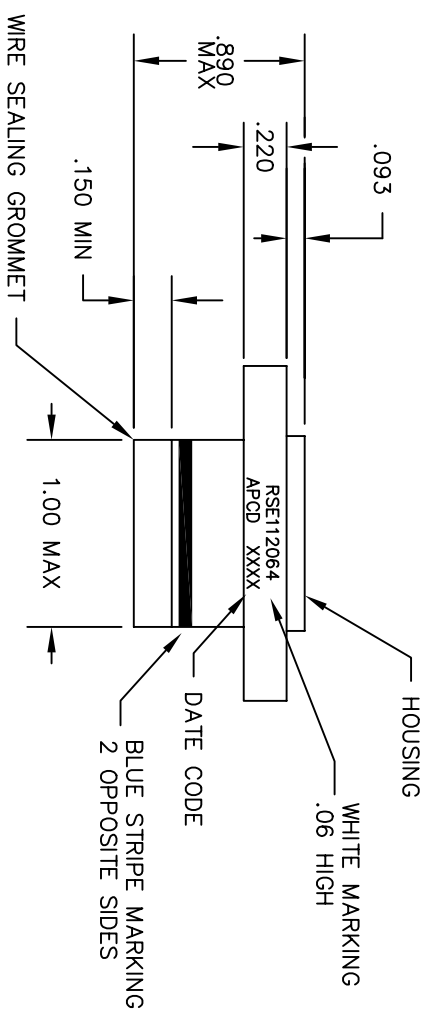
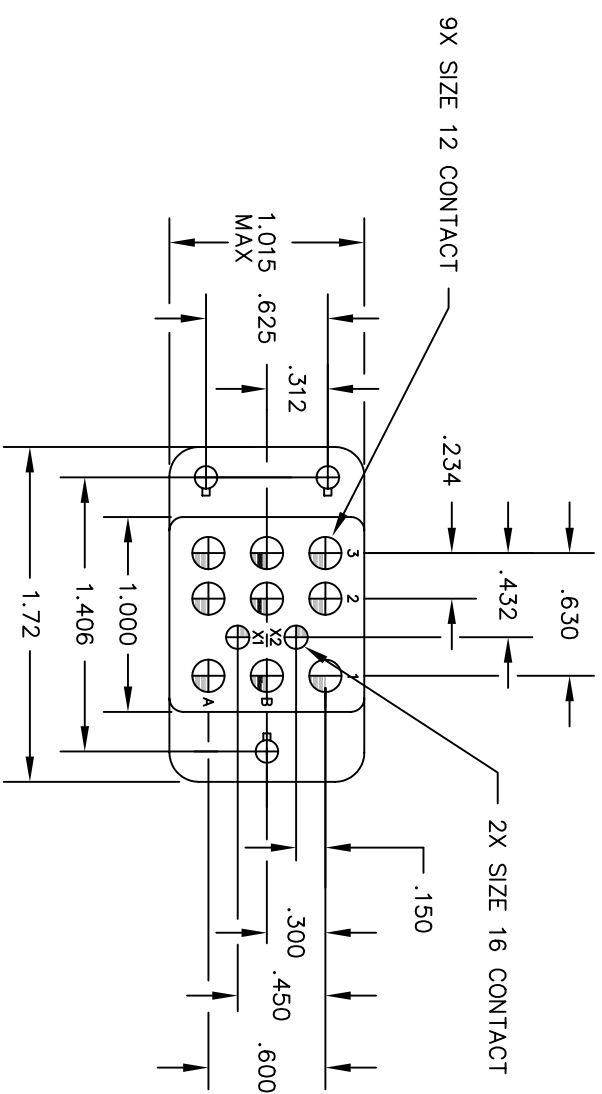


RECOMMENDED MOUNTING
PANEL HOLE

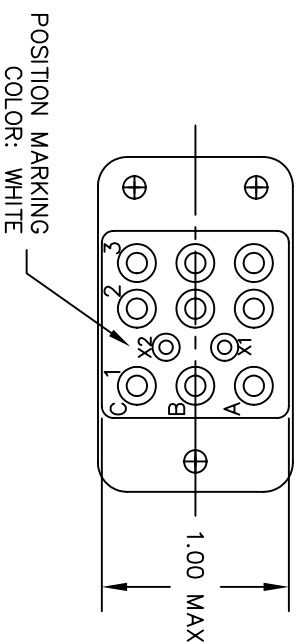


MOUNTING HARDWARE
INSTALLATION SEQUENCE BY ITEM NUMBER
TYP 4 PLACES

- ① MOUNTING STUD, LOOSE
- ⑦ .112-40 HEX LOCK NUT,
TORQUE TO 4±1 LB-IN.
- ⑥ #4 FLAT WASHER
- ⑤ .190-32 HEX LOCK NUT,
TORQUE TO 18±1 LB-IN.
- ④ #10 FLAT WASHER
- ④ .093 MAX THK. PANEL.
- ② #4 FLAT WASHER
- ③ .112-40 HEX LOCK NUT,
TORQUE TO 4±1 LB-IN.



- NOTES:
1. CONFORMS TO PERFORMANCE REQUIREMENTS OF MIL-PRF-12883
 2. MATERIALS:
 - A. HOUSING - POLYETHERIMIDE, COLOR: BLUE-GREEN.
 - B. GROMMET - SILICONE ELASTOMER, COLOR: RED.
 3. SOCKET CONTACTS CONFORM TO PERFORMANCE REQUIREMENTS OF MIL-C-39029, GOLD OVER NICKEL PLATE.
 4. OPERATING TEMPERATURE: +125°C/-65°C CONTINUOUS.
 5. CONTACT INSTALLATION TOOLS:
 - #12 CONTACT CRIMP TOOL: M22520/1-01
 - POSITIONER: M22520/1-02
 - INSERTION/REMOVAL: M81969/14-04
 - #16 CONTACT CRIMP TOOL: M22520/1-01
 - POSITIONER: M22520/1-02
 - INSERTION/REMOVAL: M81969/14-03.



DIMENSIONS	TOLERANCES	PROJECTION
ANSI Y14.5M UNITS: INCHES ACAD FILE	.XX ±.01 .XXX ±.005 ANGLES ±2°	

Amphenol Pcd
SPECIFICATION DRAWING

ENGR
R. SWAINE 9/20/05

ORIGINAL	THIS DOCUMENT CONTAINS PROPRIETARY INFORMATION WHICH IS THE CONFIDENTIAL PROPERTY OF AMPHENOL PCD INC. PEABODY, MA
----------	---

CHKD	APPD
------	------

PART NO.	CONTACTS SUPPLIED
RSE112064	-
SZ 12/12 CNS128900	SZ 16/16 CNS126900

TITLE
RELAY SOCKET
SIZE 12 & 16
LOOSE STUD

SIZE	DWG NO.	REV
B	RSE112064	-
CODE: 58982	1:1	SHEET 1 OF 1