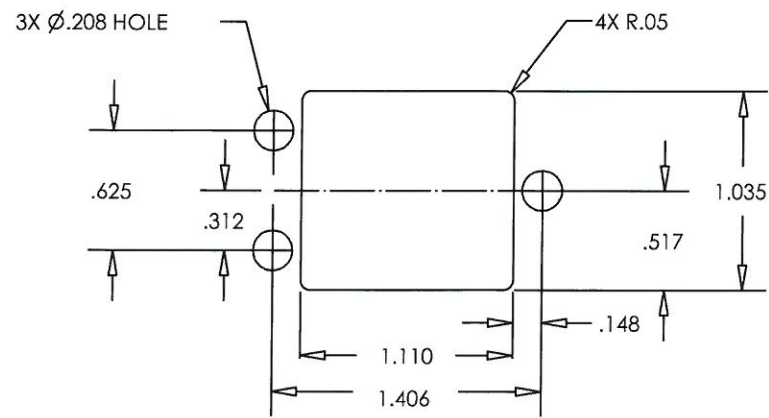
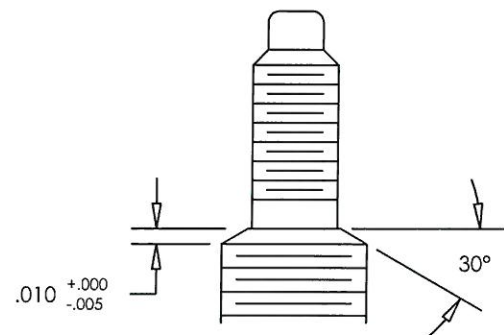


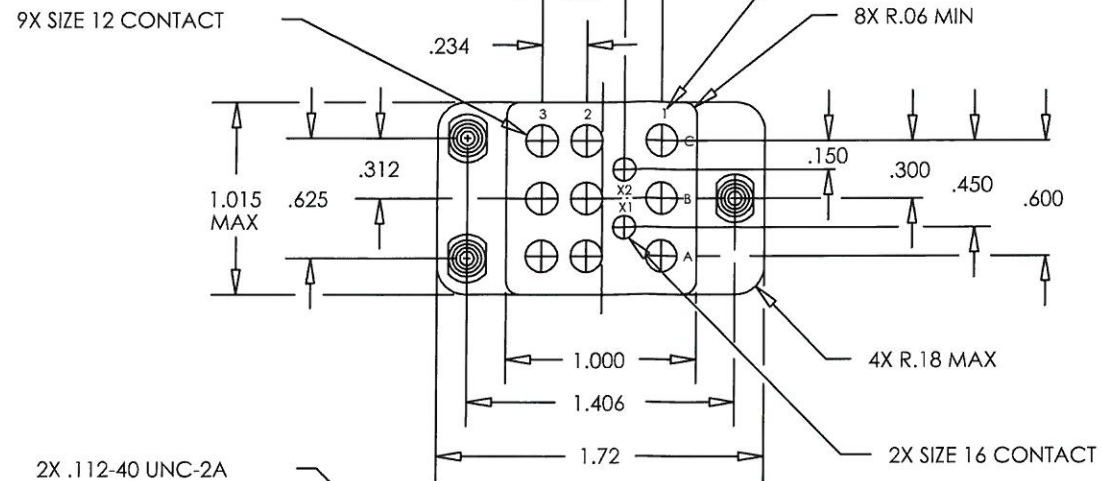
RSE112305



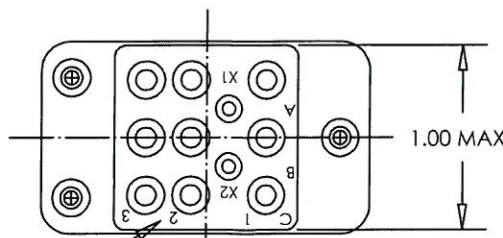
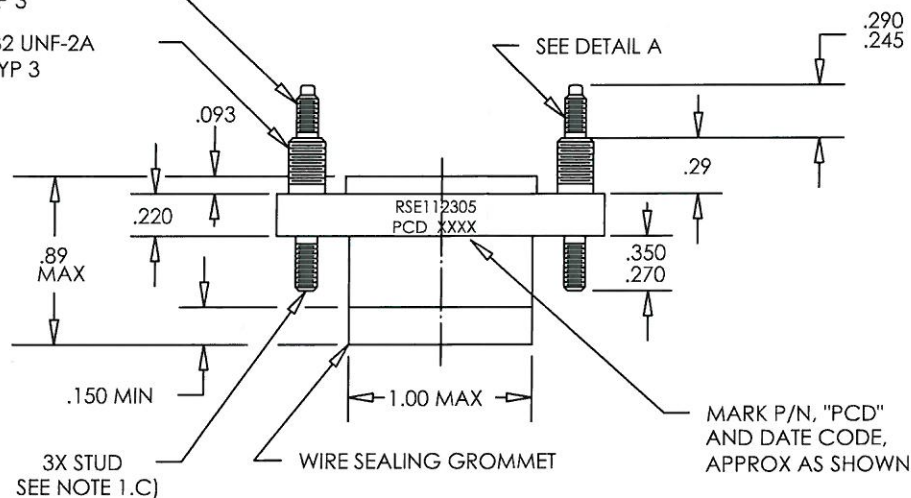
RECOMMENDED MOUNTING
PANEL CUTOUT



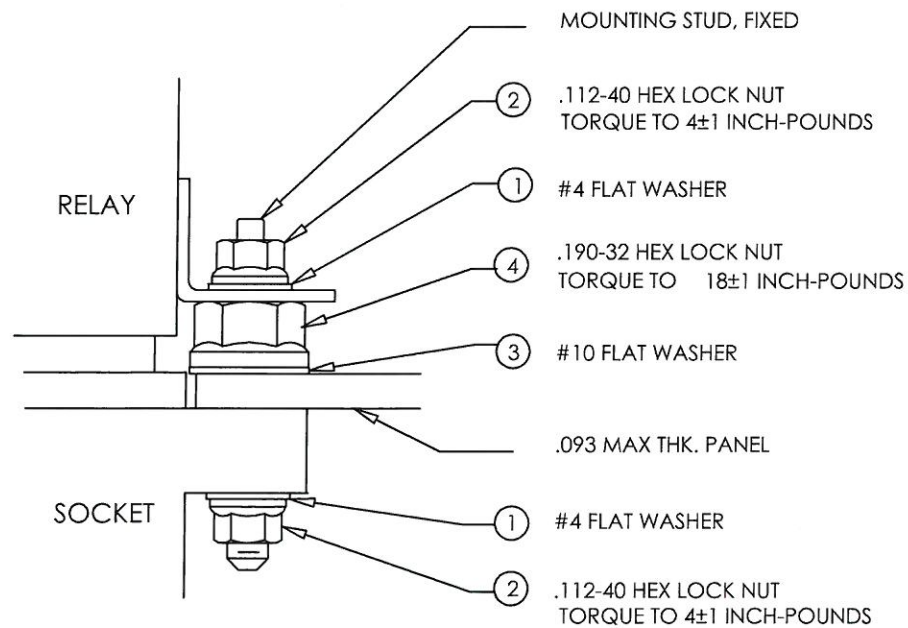
DETAIL A
TYP 3
SCALE: 4X



2X .112-40 UNC-2A
TYP 3
.190-32 UNF-2A
TYP 3



8X CHARACTERS .035 MIN HIGH
SEE NOTE 1.G



BOTTOM MOUNTING HARDWARE

INSTALLATION BY ITEM NUMBER
SEE TABLE
TYP 3 PLACES

REV	ECN	DESCRIPTION	APP'D
A	2453	ADD CL's; CORRECT HDWR DESCRIP.	JR 6/9/95
B	2883	ADD "AW-2158" TO NOTE 1.G	
C	6703	CHANGE GROMMET MARKING COLOR: CONTR	JR 5/6/94

NOTES:

- REQUIREMENTS:
 - SHALL MEET THE APPLICABLE ENVIRONMENTAL REQUIREMENTS OF MIL-S-12883.
 - DIELECTRIC STRENGTH: AFTER INSTALLATION OF CONTACTS DIELECTRIC STRENGTH IS 1500 VRMS, 1 mA OF LEAKAGE, 25°C, CONTACT TO CONTACT.
 - STUDS TO BE FIXED IN PLACE IN THE BODY AND DESIGNED TO PREVENT ROTATION, WITHOUT ADDITIONAL HARDWARE, WHEN SUBJECTED TO THE FOLLOWING TEST TORQUE:

THREAD SIZE	TEST TORQUE (INCH-POUNDS)
.112-40	8+1, -0
.190-32	24+1, -0
 - ELECTRICAL ENGAGEMENT: .112 MAX DISTANCE FOR POINT OF ELECTRICAL CONTACT FROM MATING FACE OF SOCKET INSULATOR TO THE SOCKET CONTACT.
 - OPERATING TEMPERATURE: -65°C TO +125°C.
 - STUD TENSILE STRENGTH: 90,000 PSI MIN.
 - CONTACT LOCATIONS TO BE MARKED PER AW-2158. COLOR: CONTRASTING
- MATERIALS:
 - HOUSING - POLYETHERIMIDE, COLOR: GREEN.
 - GROMMET - SILICONE ELASTOMER, 50±10 DUROMETER, COLOR: RED.
 - MOUNTING STUD - STAINLESS STEEL, PASSIVATED.
- SOCKET CONTACTS, CRIMP AND INSTALLATION TOOLS ARE NOT INCLUDED. REQUIREMENTS ARE FOR REFERENCE ONLY.
 - CONTACTS:

SIZE	PART NUMBER
2	SIZE 16 M39029/92-533
9	SIZE 12 M39029/92-535
 - CONTACT TOOLS:

	#16 CONTACT	#12 CONTACT
CRIMP TOOL:	M22520/1-01	M22520/1-01
POSITIONER:	M22520/1-02	M22520/1-02
INSERTION/REMOVAL:	M81969/14-03	M81969/14-04
- MOUNTING HARDWARE NOT INCLUDED. SEE MOUNTING DIAGRAM FOR SUGGESTED MOUNTING APPLICATIONS AND TABLE FOR DIMENSIONS.

ITEM	REQ'D	P/N	DESCRIPTION
1	6	200000410	#4 FLAT WASHER; CRES, PASSIVATE .220 MAX O.D. X .018 MAX THICK
2	6	200003810	.112-40 UNJC-3B HEX LOCK-NUT, CRES, SILVER PLATED, .206 MAX DIA X .176 MAX HEIGHT
3	3	200002901	#10 FLAT WASHER; CRES, PASSIVATE .360 MAX O.D. X .036 MAX THICK
4	3	200002502	.190-32 UNJF-3B HEX LOCK-NUT, CRES, SILVER PLATED, .330 MAX DIA X .190 MAX HEIGHT

DIMENSIONS ANSI Y14.5M UNITS: INCHES CRITICAL: \diamond	TOLERANCES .XX ±.01 .XXX ±.005 ANGLES ±2°	PROJECTION 	REFERENCE SPECIFICATION REF M12883/48		TITLE RELAY SOCKET 3 POLE, 25 AMP (9) SZ 12, (2) SZ 16
			DRWN J. TON 9/7/94 ENGR <i>J. Rutkowski</i> 5/6/94 APPD		
ORIGINAL 	THIS DOCUMENT CONTAINS PROPRIETARY INFORMATION WHICH IS THE CONFIDENTIAL PROPERTY OF PCD, INC. PEABODY, MA, USA		SIZE B	DWG NO. RSE112305	REV C
			CODE: 58982	SCALE: 1X	SHEET 1 OF 1

RSE112305

RSE112305