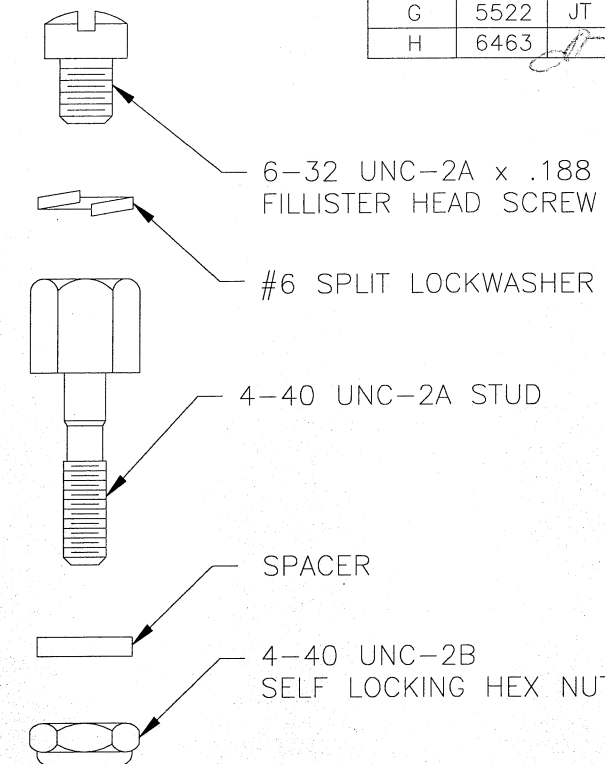
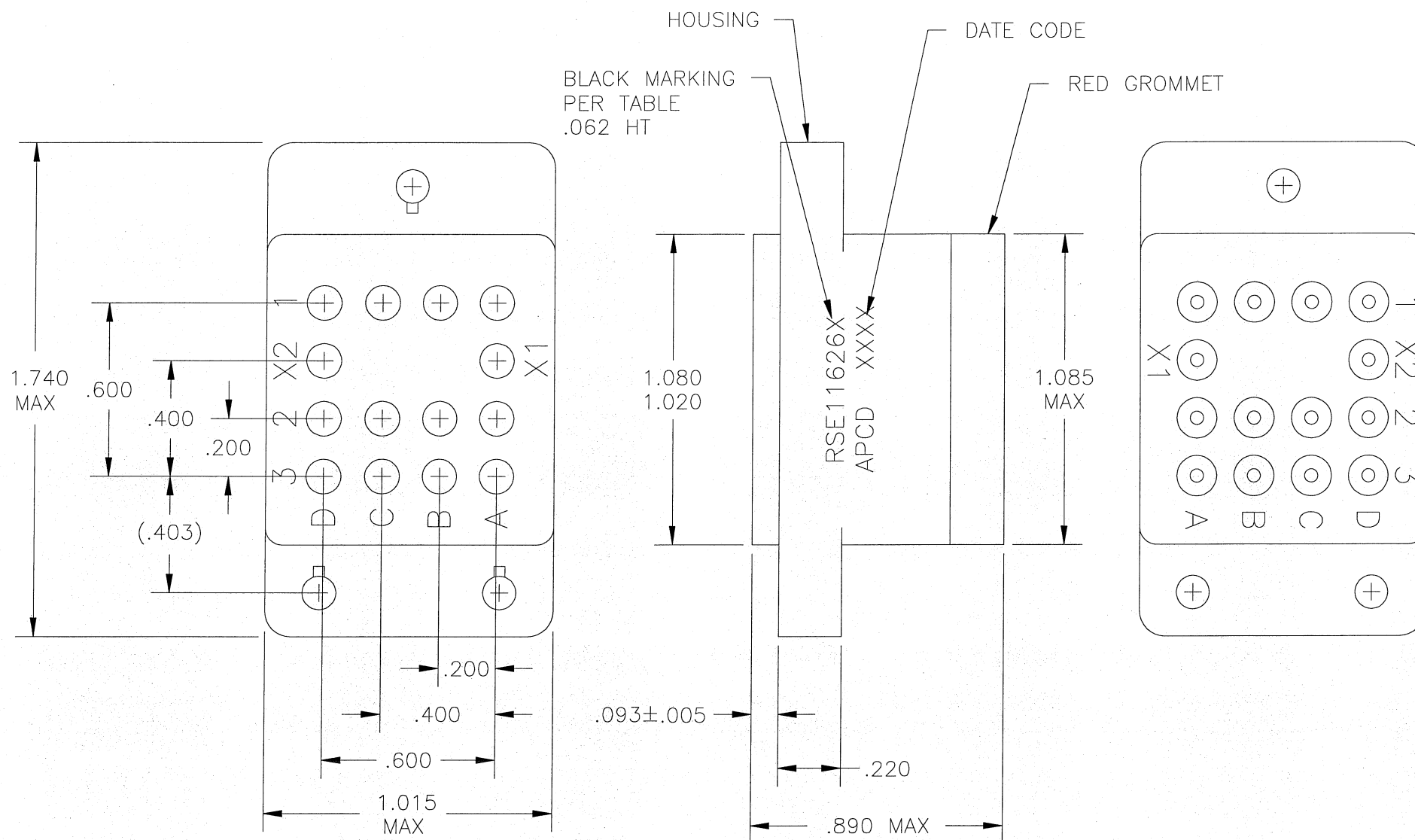
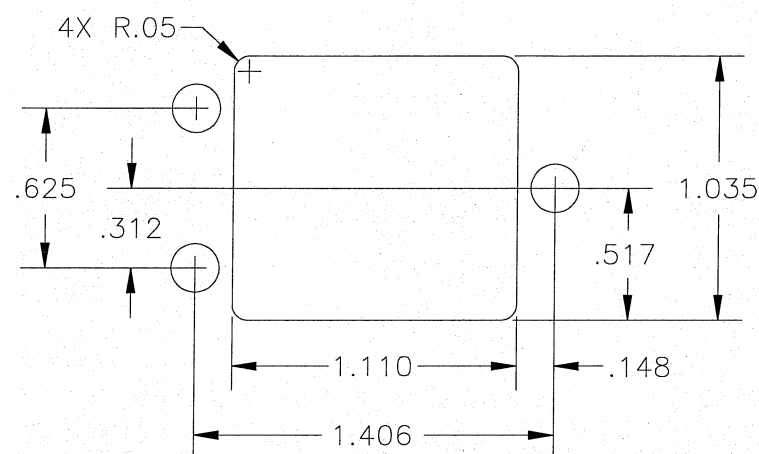


REV	ECN	APP'D
G	5522	JT 9/23/04
H	6463	<i>[Signature]</i>



MOUNTING HARDWARE, 3X

- NOTES:
- CONFORMS TO PERFORMANCE REQUIREMENTS OF MIL-PRF-12883.
 - MATERIALS:
 SOCKET BODY: POLYETHERIMIDE PER MIL-P-46184
 GROMMET: SILICONE RUBBER PER ZZ-R-765
 HARDWARE: CRES STEEL AND CADMIUM CHROMATE FINISH.
 CONTACT RETAINERS: BERYLLIUM COPPER
 SOCKET CONTACTS: COPPER ALLOY, HARD GOLD PLATED PER MIL-G-45204
 - OPERATING RANGE:
 TEMPERATURE: -65°C TO 125°C
 INSULATION RESISTANCE: 1000 MEGOHMS MIN.
 DIELECTRIC WITHSTANDING VOLTAGE:
 1500 VRMS AT SEA LEVEL,
 500 VRMS AT 80,000 FT. ALTITUDE
 VIBRATION: MIL-STD-202, METHOD 204,
 TEST CONDITION G
 SHOCK: MIL-STD-202, METHOD 213,
 TEST CONDITION C
 - PART SUPPLIED WITH MOUNTING HARDWARE.
 - PART SUPPLIED WITH CONTACTS PER TABLE.



RECOMMENDED MOUNTING PANEL CUTOUT

PART NO.	CONTACTS SUPPLIED	MARKING
RSE116260	NONE	RSE116260
RSE116261	(14) M39029/92-533	RSE116261
RSE116262	(14) M39029/92-534	RSE116262

DIMENSIONS ANSI Y14.5M UNITS: INCHES ACAD FILE	TOLERANCES .XX ±.01 .XXX ±.005 ANGLES ±2°	PROJECTION 	Amphenol Pcd SPECIFICATION DRAWING		TITLE RELAY SOCKET, 14 POS, SIZE 16	
			ENGR S. KONDO 9/23/04	SIZE B	DWG NO. RSE116260	REV H
ORIGINAL 	THIS DOCUMENT CONTAINS PROPRIETARY INFORMATION WHICH IS THE CONFIDENTIAL PROPERTY OF AMPHENOL PCD INC. PEABODY, MA		CHKD <i>[Signature]</i> 1/8/2010	APPD <i>[Signature]</i> 1/8/2010	CODE: 58982	SCALE: 2X
					SHEET 1 OF 1	

RSE116260

RSE116260