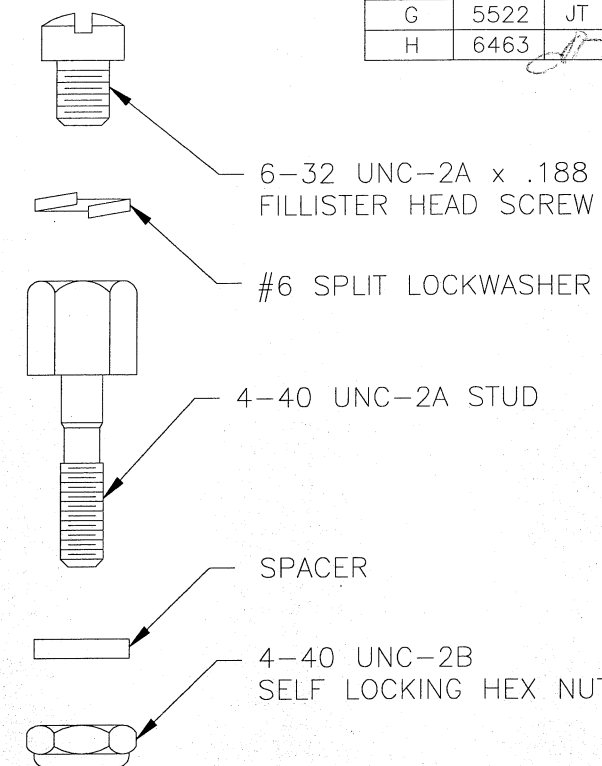
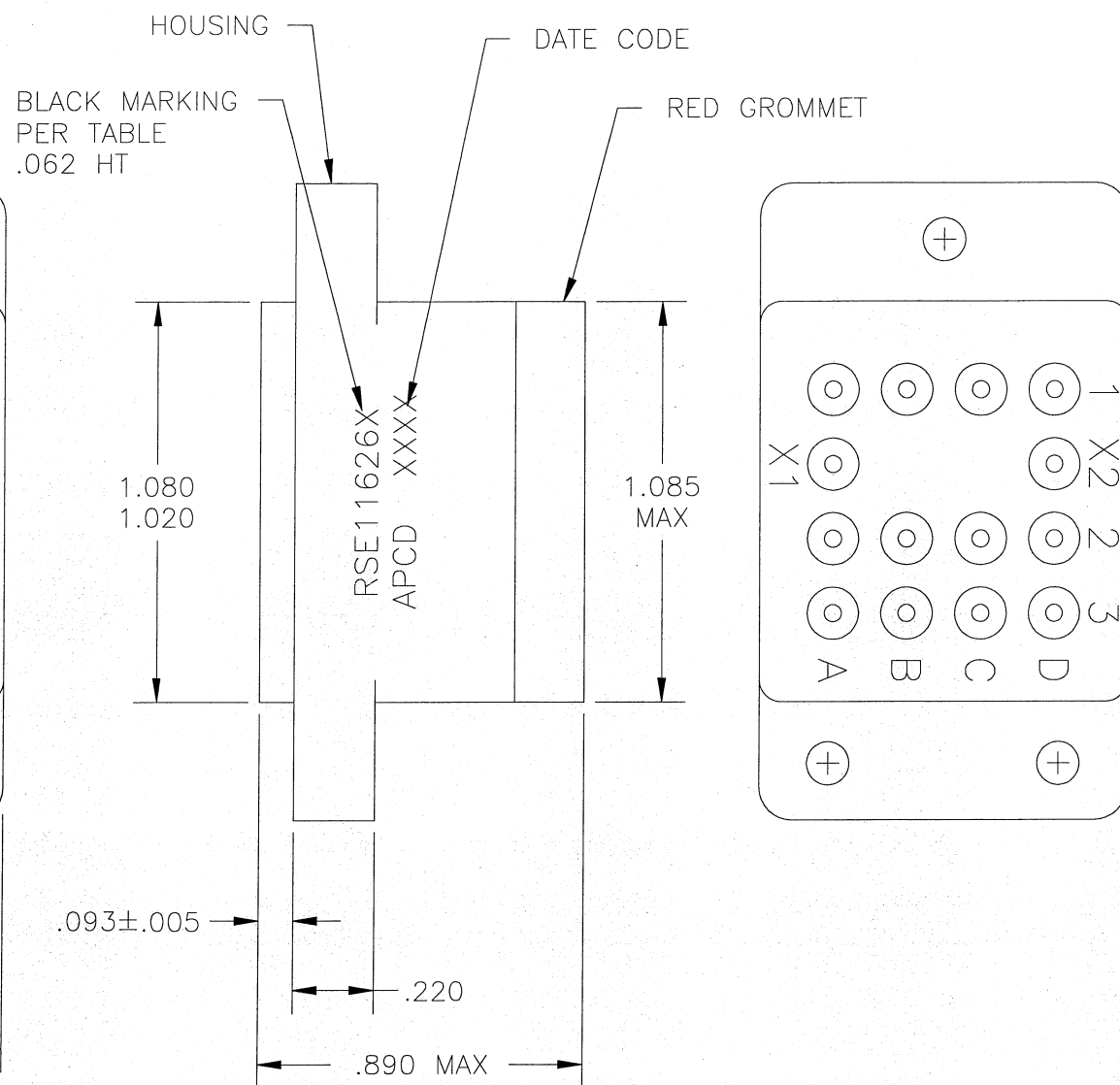
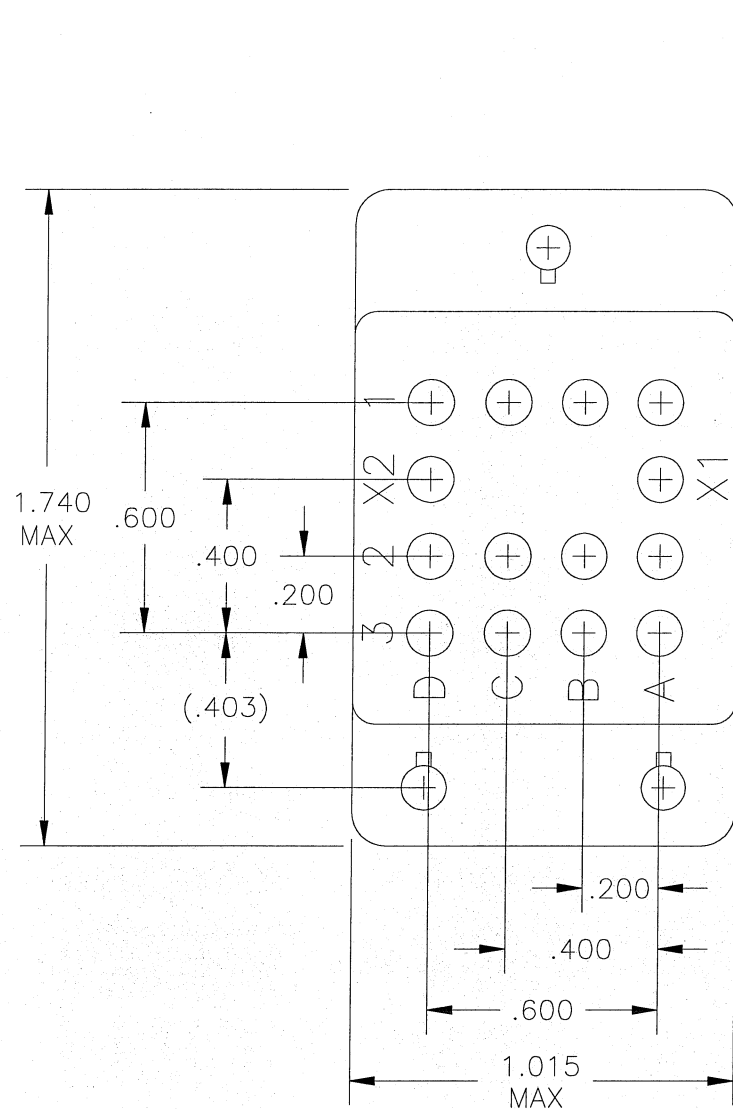
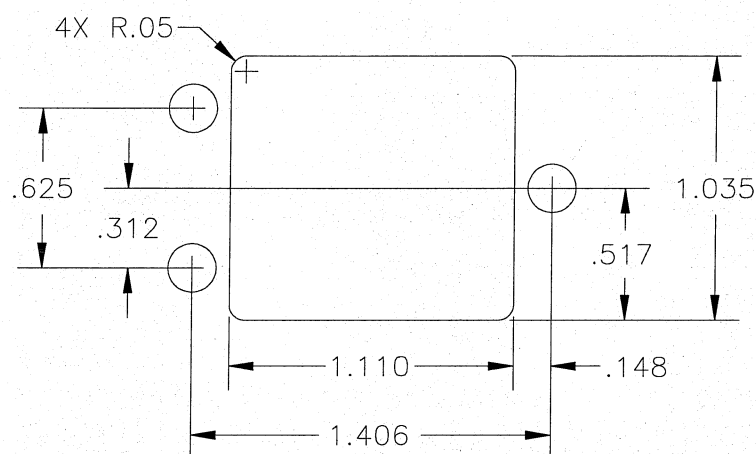


REV	ECN	APP'D
G	5522	JT 9/23/04
H	6463	<i>[Signature]</i>



MOUNTING HARDWARE, 3X

- NOTES:
- CONFORMS TO PERFORMANCE REQUIREMENTS OF MIL-PRF-12883.
  - MATERIALS:  
 SOCKET BODY: POLYETHERIMIDE PER MIL-P-46184  
 GROMMET: SILICONE RUBBER PER ZZ-R-765  
 HARDWARE: CRES STEEL AND CADMIUM CHROMATE FINISH.  
 CONTACT RETAINERS: BERYLLIUM COPPER  
 SOCKET CONTACTS: COPPER ALLOY, HARD GOLD PLATED PER MIL-G-45204
  - OPERATING RANGE:  
 TEMPERATURE: -65°C TO 125°C  
 INSULATION RESISTANCE: 1000 MEGOHMS MIN.  
 DIELECTRIC WITHSTANDING VOLTAGE:  
 1500 VRMS AT SEA LEVEL,  
 500 VRMS AT 80,000 FT. ALTITUDE  
 VIBRATION: MIL-STD-202, METHOD 204,  
 TEST CONDITION G  
 SHOCK: MIL-STD-202, METHOD 213,  
 TEST CONDITION C
  - PART SUPPLIED WITH MOUNTING HARDWARE.
  - PART SUPPLIED WITH CONTACTS PER TABLE.



RECOMMENDED MOUNTING PANEL CUTOUT

PART NO.	CONTACTS SUPPLIED	MARKING
RSE116260	NONE	RSE116260
RSE116261	(14) M39029/92-533	RSE116261
RSE116262	(14) M39029/92-534	RSE116262

DIMENSIONS ANSI Y14.5M UNITS: INCHES ACAD FILE	TOLERANCES .XX ±.01 .XXX ±.005 ANGLES ±2°	PROJECTION 	<b>Amphenol Pcd</b> SPECIFICATION DRAWING		TITLE RELAY SOCKET, 14 POS, SIZE 16	
			ENGR S. KONDO 9/23/04	SIZE B	DWG NO. RSE116260	REV H
ORIGINAL 	THIS DOCUMENT CONTAINS PROPRIETARY INFORMATION WHICH IS THE CONFIDENTIAL PROPERTY OF AMPHENOL PCD INC. PEABODY, MA		CHKD <i>[Signature]</i> 1/8/2010	APPD <i>[Signature]</i> 1/8/2010	CODE: 58982	SCALE: 2X
					SHEET 1 OF 1	

RSE116260

RSE116260