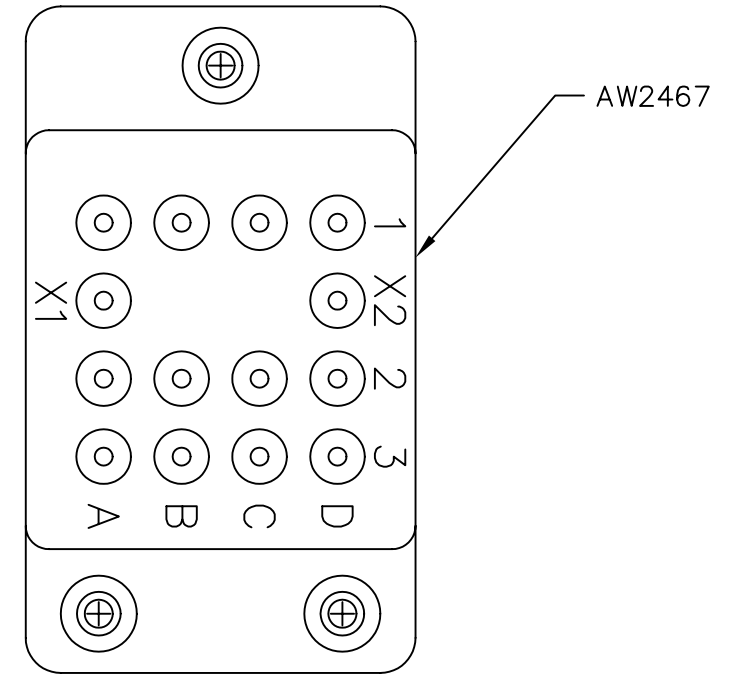
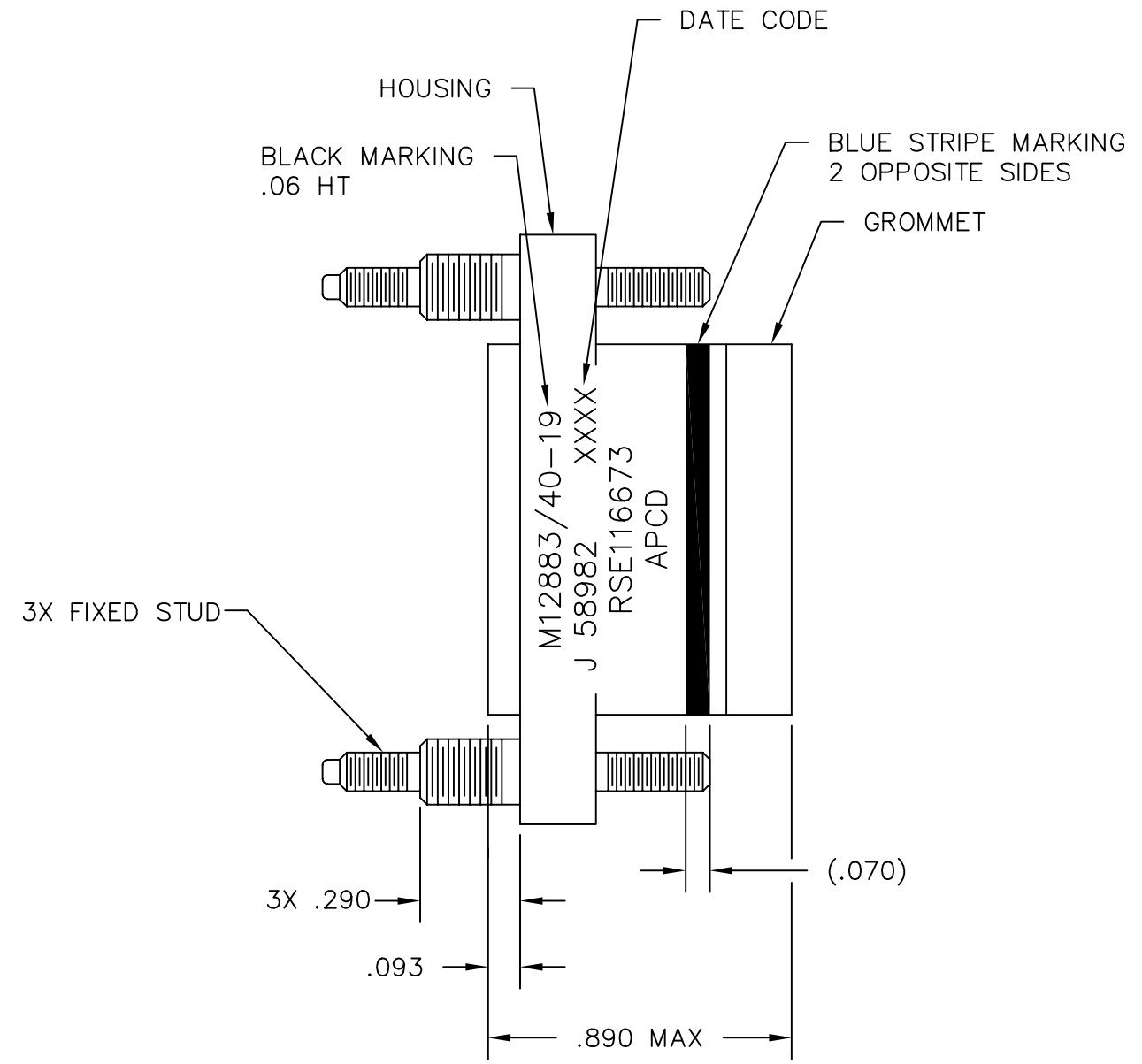
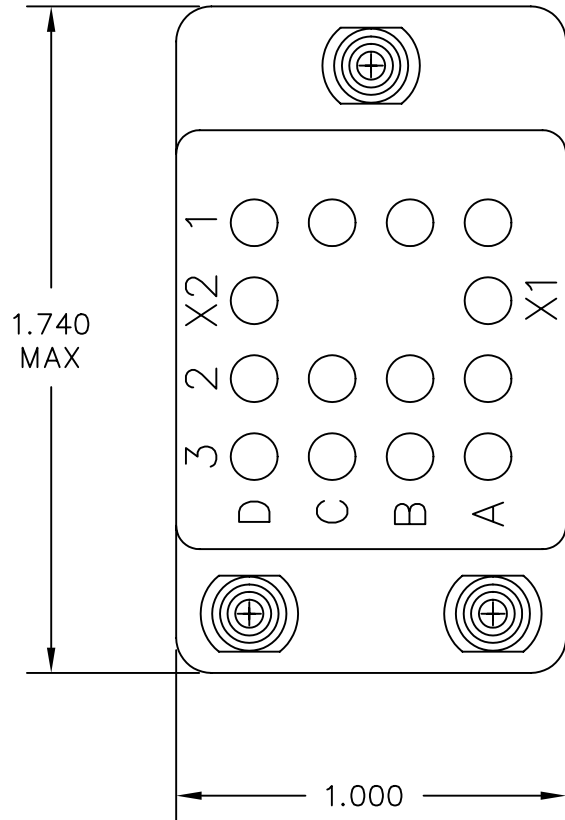


REV	ECN	DESCRIPTION	APP'D
J	2413	UPDATE FORMAT; ADD "J" DESIGNATION	JR 5/02/95
K	5754	NEW SILK SCREEN ARTWORK	



PART NO.	CONTACTS SUPPLIED	MARKING
RSE116672	NONE	RSE116673
RSE116673	(14) SIZE 16/16	

DIMENSIONS	TOLERANCES	PROJECTION	TITLE		
ANSI Y14.5M UNITS: INCHES ACAD FILE	.XX ±.01 .XXX ±.005 ANGLES ±2°		RELAY SOCKET 14 POS - SIZE 16		
ORIGINAL NOT FOR CUSTOMER DISTRIBUTION	THIS DOCUMENT CONTAINS PROPRIETARY INFORMATION WHICH IS THE CONFIDENTIAL PROPERTY OF AMPHENOL PCD INC. PEABODY, MA				
<p><b>Amphenol Pcd</b></p> <p>ENGR M. CALLA 5/16/91</p> <p>CHKD M. CALLA 5/16/91</p> <p>APPD D. SWAFFIELD 6/14/91</p>			SIZE	DWG NO.	REV
			B	RSE116672	K
		CODE: 58982	SCALE: 2X	SHEET 1 OF 1	

RSE116672

RSE116672