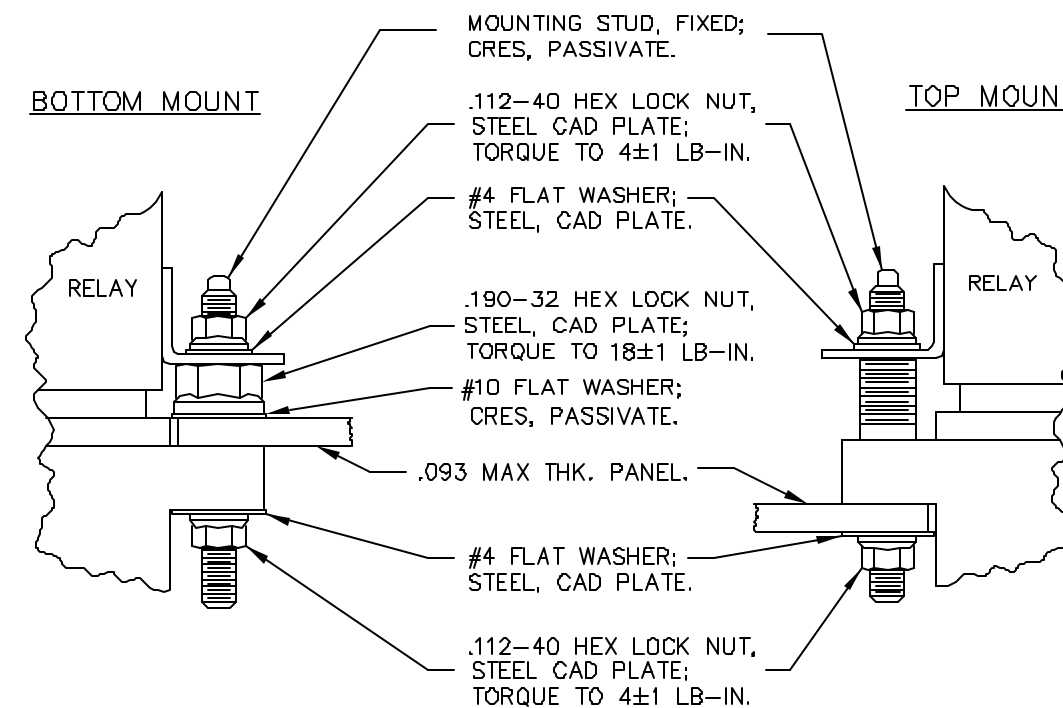
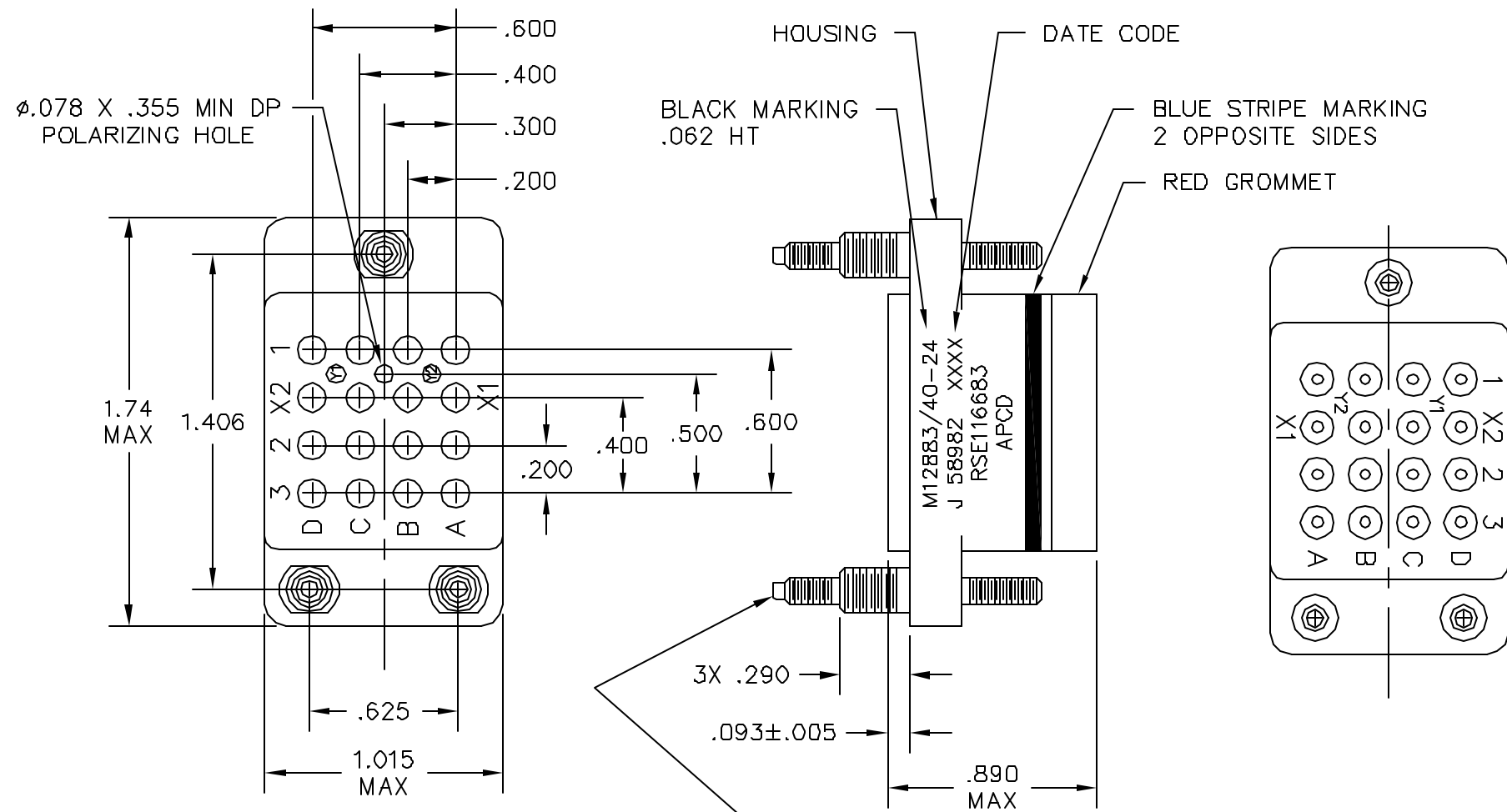
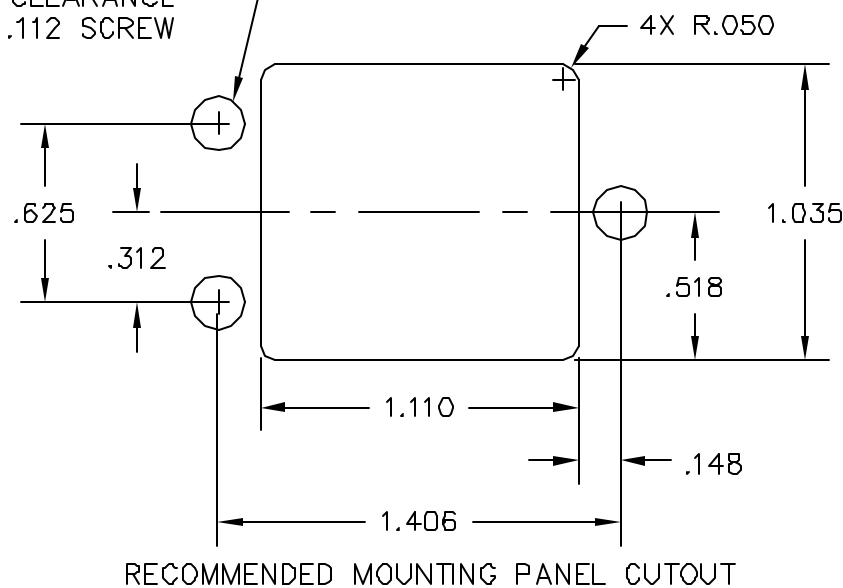


REV	ECN	APP'D
-	5484	JT 6/28/04



3X FIXED STUD  
 STUD RETENTION FORCES:  
 AXIAL - 100 LB MIN.  
 TORQUE - 24 IN.-LB MIN  
 APPLIED TO 10-32.

BOTTOM MOUNT-CLEARANCE HOLE FOR .190 SCREW  
 TOP MOUNT-CLEARANCE HOLE FOR .112 SCREW



- NOTES:
- CONFORMS TO PERFORMANCE REQUIREMENTS OF MIL-PRF-12883.
  - MATERIALS:  
 A. HOUSING - POLYETHERIMIDE, COLOR: BLUE-GREEN.  
 B. GROMMET - SILICONE ELASTOMER, 50±10 DUROMETER, COLOR: RED.
  - SOCKET CONTACTS CONFORM TO PERFORMANCE REQUIREMENTS OF MIL-C-39029, GOLD OVER NICKEL PLATE - SEE TABLE.
  - COMPLETE MOUNTING HARDWARE SUPPLIED.
  - OPERATING TEMPERATURE: +125°C/-65°C CONTINUOUS.
  - CONTACT INSTALLATION TOOLS:

CRIMP TOOL: #16 CONTACT M22520/1-01  
 POSITIONER: M22520/1-02  
 INSERTION/REMOVAL: M81969/14-03.

PART NO.	CONTACTS SUPPLIED	MARKING
RSE116682	NONE	RSE116683
RSE116683	(14) SIZE 16/16, M39029/92-533	

DIMENSIONS ANSI Y14.5M UNITS: INCHES ACAD FILE	TOLERANCES .XX ±.01 .XXX ±.005 ANGLES ±2°	PROJECTION 	<b>Amphenol Pcd</b> SPECIFICATION DRAWING			TITLE RELAY SOCKET, 16 POS, SIZE 16, M12883/40-24		
			ORIGINAL	THIS DOCUMENT CONTAINS PROPRIETARY INFORMATION WHICH IS THE CONFIDENTIAL PROPERTY OF AMPHENOL PCD INC. PEABODY, MA		ENGR S. KONDO 6/25/2004	CHKD R. NEWMAN 6/28/04	APPD J. TON 6/28/04
			CODE: 58982	SCALE: 3:2	SHEET 1 OF 1			

RSE116682

RSE116682