

# Amphenol Pcd

Connecting People & Technology

Relay Sockets



## Relay Sockets

Amphenol Pcd's Relay Sockets are qualified to MIL-PRF-12883 specifications and have an amp range between 2 and 25. Offered in various types and configurations, they feature state of the art ultrasonically bonded interfaces between the dielectric components, eliminating air paths and providing protection against moisture and degradation. Our Quick Mount Relay Sockets snap into standard aircraft panel cutouts eliminating the need of mounting hardware. This simplifies installation and dramatically reduces weight and installation time. They meet the performance of MIL-PRF-12883 and are compatible with MIL-SPEC approved relays.

# Amphenol Pcd

Connecting People & Technology

[www.amphenolpcd.com](http://www.amphenolpcd.com)

[info@amphenolpcd.com](mailto:info@amphenolpcd.com)

• 978.624.3400 •

*A member of Amphenol Military & Aerospace group*

[www.amphenolamao.com](http://www.amphenolamao.com)

## MIL-PRF-12883

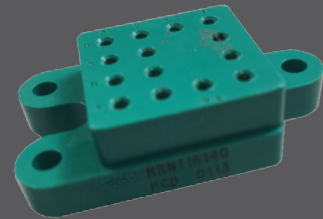
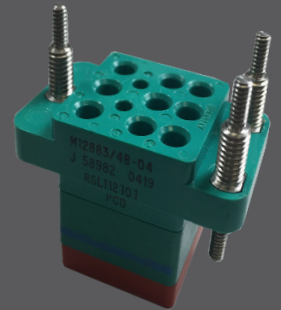
Military Qualified, QPL Listed	5
Relay Socket Cross Reference Chart	6--7
Relay Sockets Overview	7
Extended Height Rsl 4 Pole/10 Amp	8
Low Profile Rsl 4 Pole/10 Amp	9
Extended Height RSL 2 Pole/10 Amp	10
Low Profile RSE 2 Pole/10 Amp	11
RSE 4 Pole/5 Amp	12
RSE 2 Pole/5 Amp	13
RSE 2 Pole/5 Amp	14
RSE 3 Pole/10 Amp	15
RSE/RSL 6 Pole/10 Amp	16
RSE/RSL 3 Pole/25 Amp	17
RSE Track Mount 2, 3 & 4 Pole & Mounting Track	18
RSE 3 Pole/25 Amp	19
RSE 1 Pole/25 Amp	20
RSE 2 & 3 Pole, 2 Amp	21
RSN 2, 4 Pole/10 Amp, 3 Pole/25 Amp	22
6 Pole/5 Amp, 4 Pole/10 Amp, 2 & 4 Pole/5Amp, 2 Pole/10Amp	23
Relay Socket Mounting Instructions	24

## QUICK MOUNT

JRS/JRE Quick Mount Relay Sockets Overview	25
JRS 1 Pole / 25 Amp / Size 12 & 16	26
JRS 2 Pole / 10 Amp / Size 16	27
JRS 3 Pole / 25 Amp / Size 12 & 16	28
JRS 4 Pole / 10 Amp / Size 16	29
JRS 6 Pole / 10 Amp / Size 16	30
JRE 2 Pole / 5 Amp / Size 20	31
JRE 4 Pole / 5 Amp / Size 20	32

## ACCESSORIES

RSN Cover 2 Positions	33
RSN Cover 3 Positions	33



Military Socket P/N	APCD Socket P/N	Pg.
M12883/40-01	RSL116079	8
M12883/40-02	RSL116081	8
M12883/40-03	RSL116083	8
M12883/40-04	RSL116085	8
M12883/40-05	RSL116087	8
M12883/40-06	RSL116089	8
M12883/40-07	RSL116051	8
M12883/40-08	RSL116053	8
M12883/40-09	RSL116055	8
M12883/40-10	RSL116057	8
M12883/40-11	RSL116059	8
M12883/40-12	RSL116061	8
M12883/40-13	RSE116661	8
M12883/40-14	RSE116663	9
M12883/40-15	RSE116665	9
M12883/40-16	RSE116667	9
M12883/40-17	RSE116669	9
M12883/40-18	RSE116671	9
M12883/40-19	RSE116673	9
M12883/40-20	RSE116675	9
M12883/40-21	RSE116677	9
M12883/40-22	RSE116679	9
M12883/40-23	RSE116681	9
M12883/40-24	RSE116683	9
M12883/41-01	RSL116091	10
M12883/41-02	RSL116093	10
M12883/41-03	RSL116095	10
M12883/41-04	RSL116097	10
M12883/41-05	RSL116099	10
M12883/41-06	RSL116063	10
M12883/41-07	RSL116065	10
M12883/41-08	RSL116067	10
M12883/41-09	RSL116069	10
M12883/41-10	RSL116071	10
M12883/41-11	RSE116685	11
M12883/41-12	RSE116687	11
M12883/41-13	RSE116689	11
M12883/41-14	RSE116691	11
M12883/41-15	RSE116693	11
M12883/41-16	RSE116695	11
M12883/41-17	RSE116697	11
M12883/41-18	RSE116699	11
M12883/41-19	RSE116701	11

Military Socket P/N	APCD Socket P/N	Pg.
M12883/41-20	RSE116703	11
M12883/44-01	RSE120151	12
M12883/44-02	RSE120153	12
M12883/44-03	RSE120155	12
M12883/44-04	RSE120157	12
M12883/45-01	RSE120159	13
M12883/45-02	RSE120161	13
M12883/45-03	RSE120163	13
M12883/45-04	RSE120165	14
M12883/45-05	RSE120167	14
M12883/45-06	RSE120169	14
M12883/46-01	RSE116747	15
M12883/46-02	RSE116749	15
M12883/46-03	RSE116751	15
M12883/46-04	RSE116753	15
M12883/47-01	RSE116755	16
M12883/47-02	RSE116757	16
M12883/47-04	RSE116761	16
M12883/47-05	RSE116763	16
M12883/47-07	RSL116101	16
M12883/47-08	RSL116103	16
M12883/47-10	RSL116073	16
M12883/47-11	RSL116075	16
M12883/48-01	RSE112061	17
M12883/48-02	RSE112063	17
M12883/48-03	RSL112105	17
M12883/48-04	RSL112101	17
M12883/48-05	RSE112065	17
M12883/48-06	RSE112067	17
M12883/48-07	RSL112107	17
M12883/48-08	RSL112103	17
M12883/52-001	RSE116175	18
M12883/52-002	RSE116185	18
M12883/52-003	RSE116195	18
M12883/53-001	RST145005	18
M12883/54-01	RSE116627	19
M12883/54-02	RSE116631	19
M12883/54-03	RSE116629	19
M12883/54-04	RSE116635	19
M12883/55-01	RSE112035	20
M12883/55-02	RSE112036	20
M12883/55-03	RSE112044	20

## Relay Socket Cross Reference Chart

Military Relay P/N	Military Socket P/N	APCD Socket P/N	Relay Type	Pg.
M83536/15-002 M83536/16-006, -014, -031, -034 M83726/1, /2, /3, /4, /28, /29, /30, /31* MS27709-2	M12883/40-01 M12883/40-05 M12883/40-07 M12883/40-11 M12883/40-13 M12883/40-17 M12883/40-19 M12883/40-23	RSL116079 RSL116087 RSL116051 RSL116059 RSE116661 RSE116669 RSE116673 RSE116681	4 Pole / 10 Amp	8-9
M83536/17-002, 17-005	M12883/40-02 M12883/40-08 M12883/40-14 M12883/40-20	RSL116081 RSL116053 RSE116663 RSE116675	4 Pole / 10 Amp	8-9
M83536/18-002, -005, -008, -012 M83536/19-002, -005, -008, -012 M83536/20-002	M12883/40-06 M12883/40-12 M12883/40-18 M12883/40-24	RSL116089 RSL116061 RSL116671 RSE116683	4 Pole / 10 Amp	8-9
Leach Corp. KA-D4E & J	M12883/40-04 M12883/40-10 M12883/40-16 M12883/40-22	RSL116085 RSL116057 RSE116667 RSE116679	4 Pole / 10 Amp	8-9
Leach Corp. JA-D4E & J	M12883/41-03 M12883/41-08 M12883/41-13 M12883/41-18	RSL116095 RSL116067 RSE116689 RSE116699	2 Pole / 10 Amp	10-11
M83536/9, -006, -015, -024, -035 M83536/10-006,-015,-024, -034,-038	M12883/41-01 M12883/41-04 M12883/41-06 M12883/41-09 M12883/41-11 M12883/41-14 M12883/41-16 M12883/41-19	RSL116091 RSL116097 RSL116063 RSL116069 RSE116685 RSE116691 RSE116695 RSE116701	2 Pole / 10 Amp	10-11
M83536/11-002, 004, 007	M12883/41-02 M12883/41-07 M12883/41-12 M12883/41-17	RSL116093 RSL116065 RSE116687 RSE116697	2 Pole / 10 Amp	10-11
M83536/13-002, 005, 008, 012 M83536/14-002	M12883/41-05 M12883/41-10 M12883/41-15 M12883/41-20	RSL116099 RSL116071 RSE116693 RSE116703	2 Pole / 10 Amp	10-11
M83536/5-006,-014, -022, -030 M83536/2-006,-015,-024,-035	M12883/44-01	RSE120151	4 Pole / 5 Amp	12
M83536/7-022	M12883/44-02	RSE120153	4 Pole / 5 Amp	12
M6106/38-002	M12883/45-04	RSE120165	2 Pole / 5 Amp	13-14
M83536/1-006,-015,-024,-033 M83536/2-006,-015,-024,-035	M12883/45-01	RSE120159	2 Pole / 5 Amp	13-14
M6106/40-002	M12883/46-02	RSE116749	3 Pole / 5 Amp	15
M83536/21-006, -014, -022, -030 M83536/22-006, -014, -022, -031	M12883/46-01	RSE116747	3 Pole / 10 Amp	15
M83536/25-002 M83536/26-002	M12883/47-01 M12883/47-04 M12883/47-07 M12883/47-10	RSE116755 RSE116761 RSL116101 RSL116073	6 Pole / 10 Amp	16
M6106/27-002	M12883/47-02 M12883/47-05 M12883/47-08 M12883/47-11	RSE116757 RSE116763 RSL116103 RSL116075	6 Pole / 10 Amp	16
MS27743-06, -12, -18, -24	M12883/48-01 M12883/48-02 M12883/48-03 M12883/48-04	RSE112061 RSE112063 RSL112105 RSL112101	3 Pole / 25 Amp	17

Military Relay P/N	Military Socket P/N	APCD Socket P/N	Relay Type	Pg.
MS27743-09, -15, -21, -27	M12883/48-05 M12883/48-06 M12883/48-07 M12883/48-08	RSE112065 RSE112067 RSL112107 RSL112103	3 Pole / 25 Amp	17
M83536/2-028, M83726/24, /25	M12883/52-001	RSE116175	Track Mount	18
M83536/6-025	M12883/52-002	RSE116185	Track Mount	18
MS27742-2	M12883/54-04	RSE116635	3 Pole / 25 Amp	19
M6106/12-002	M12883/54-03	RSE116629	3 Pole / 25 Amp	19
M6106/13-002,-008,-011,-013,-015	M12883/54-01	RSE116627	3 Pole / 25 Amp	19
M6106/13-004	M12883/54-02	RSE116631	3 Pole / 25 Amp	19
M6106/19-004,-007,-012,-017,-022	M12883/55-01, M12883/55-02	RSE112035, RSE112036	1 Pole / 25 Amp	20
M6106/20-002	M12883/55-03	RSE112044	1 Pole / 25 Amp	20

## Relay Sockets Overview

MIL-PRF-12883

Amphenol Pcd offers the industry's broadest line of pluggable relay sockets for commercial and military airborne, ground and shipboard equipment. Sockets are made to MIL-PRF-12883 specifications, plus specialized requirements, and are supplied in a broad range of military standard and special configurations and styles for 2 through 25 amp operations. Amphenol Pcd Relay Sockets feature state-of-the-art ultrasonically bonded interfaces between the dielectric components, which eliminate air paths and provide protection against moisture and degradation.

### Low Profile

Low Profile Relay Sockets are provided in all military configurations, are configured to a minimum size and weight, and accept the MIL-C-39029/92 contact family.

### Extended Height

Extended Height Sockets are configured to accept the longer MIL-C-39029/5 contact - which is standard on many cylindrical connectors and other avionics interconnect systems - and allow contact standardization.

### Mounting Hardware

Sockets are available with either fixed or loose mounting studs. Studs and hardware supplied with standard Amphenol Pcd QPL-listed sockets are made from cold rolled steel. Stainless steel is available as an alternate. To specify stainless steel, an "S" is added to both the QPL number and the Amphenol Pcd catalog number.

### Mounting Style

Relay sockets can be top or bottom mounted. See page 24 for mounting instructions.

### Polarization

Relay-to-socket positive polarization is provided by specific contact configurations and/or polarizing pins, in accordance with MIL-Spec requirements.

### Contacts

Closed entry socket contacts qualified to MIL-C-39029 are used and supplied with Amphenol Pcd Relay Sockets. Note: Relay Socket catalog numbers include the appropriate number of contacts as defined in the applicable military specification.



Mates with M83536, M6106, M27709, M83726 Relays

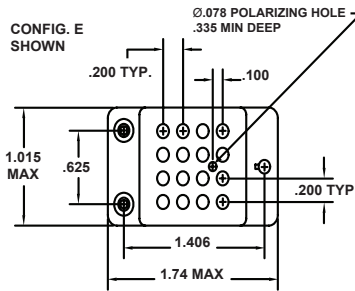
### Operating Range

- Temperature:** -65°C to 125°C
- Insulation Resistance:** 1000 Megaohms Min.
- Dielectric Withstanding Voltage:** 1500 VRMS at Sea Level 500 VRMS at 80,000 ft.
- Vibration:** MIL-STD-202, Method 204 Test Condition G
- Shock:** MIL-STD-202, Method 213 Test Condition C

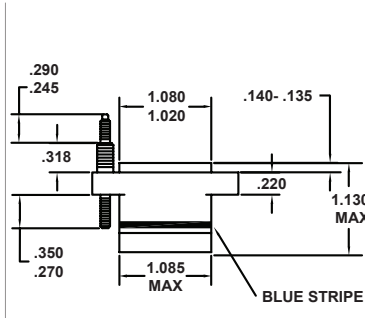
### Materials

- Socket Body:** Polyetherimide per ASTM-D5205
- Grommet:** Silicone Rubber per A-A-59588
- Hardware:** Stainless Steel or Steel w/Cadmium Chromate Finish
- Contact Retainers:** Stainless Steel
- Socket Contacts:** Stainless Steel, Hard Gold Plated in Accordance with SAE-AMS-2422

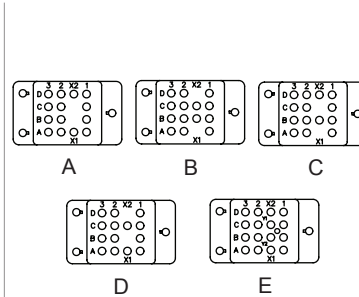
### Dimensions



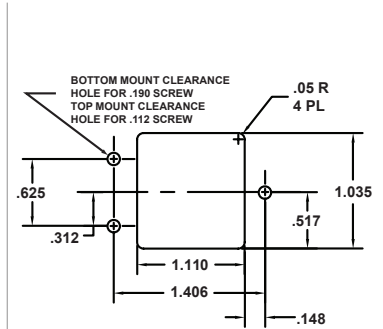
Top View



Side View



Socket Configurations



Recommended Mounting Panel Cutout

EXTENDED HEIGHT RELAY SOCKETS								Weight	
MIL P/N M12883	APCD P/N	Mounting Stud	QTY	Size <sup>1</sup>	Contact P/N	Config.	Mating Relay	Pounds	Grams
/40-01	RSL116079	Loose	14	16/16	/5-116	A	M83536/15-022, M83536/16-006,-014,-031,-034 M83726/1,2,3,4,28,29,30,31*, M27709-02	.132	60
/40-02	RSL116081	Loose	14	16/16	/5-116	B	M83536/17-002,-005		
/40-03	RSL116083	Loose	14	16/16	/5-116	C			
/40-04	RSL116085	Loose	14	16/16	/5-116	D	Leach Corp KA-D4E & J		
/40-05	RSL116087	Loose	14	16/20	/5/117	A	M83536/15-022, M83536/16-006,-014,-031,-034 M83726/1,2,3,4,28,29,31,N27709-02		
/40-06	RSL116089	Loose	16	16/16	/5-116	E	M83536/18-002,005,008,012 M83536/19-002,008,012, M83536/20-002		
/40-07	RSL116051	Fixed	14	16/16	/5-116	A	M83536/15-022, M83536/16-006,-014,-031,-034 M83726/1,2,3,4,28,29,31,N27709-02		
/40-08	RSL116053	Fixed	14	16/16	/5-116	B	M83536/17-002,-005		
/40-09	RSL116055	Fixed	14	16/16	/5-116	C			
/40-10	RSL116057	Fixed	14	16/16	/5-116	D	Leach Corp KA-D4E & J		
/40-11	RSL116059	Fixed	14	16/20	/5/117	A	M83536/15-022, M83536/16-006,-014,-031,-034 M83726/1,2,3,4,28,29,31,M27709-02		
/40-12	RSL116061	Fixed	16	16/16	/5-116	E	M83536/18-002,-005,-008,-012 M83536/19-002,-008,-012, M83536/20-002		

1. Mating End/Wire Barrel



# Low Profile RSL 4 Pole/10 Amp

MIL-PRF-12883/40

## Operating Range

**Temperature:** -65°C to 125°C

**Insulation Resistance:** 1000 Megaohms Min.

**Dielectric Withstanding Voltage:** 1500 VRMS at Sea Level 500 VRMS at 80,000 ft.

**Vibration:** MIL-STD-202, Method 204 Test Condition G

**Shock:** MIL-STD-202, Method 213 Test Condition C

## Materials

**Socket Body:** Polyetherimide per ASTM-D5205

**Grommet:** Silicone Rubber per A-A-59588

**Hardware:** Stainless Steel or Steel w/Cadmium Chromate Finish

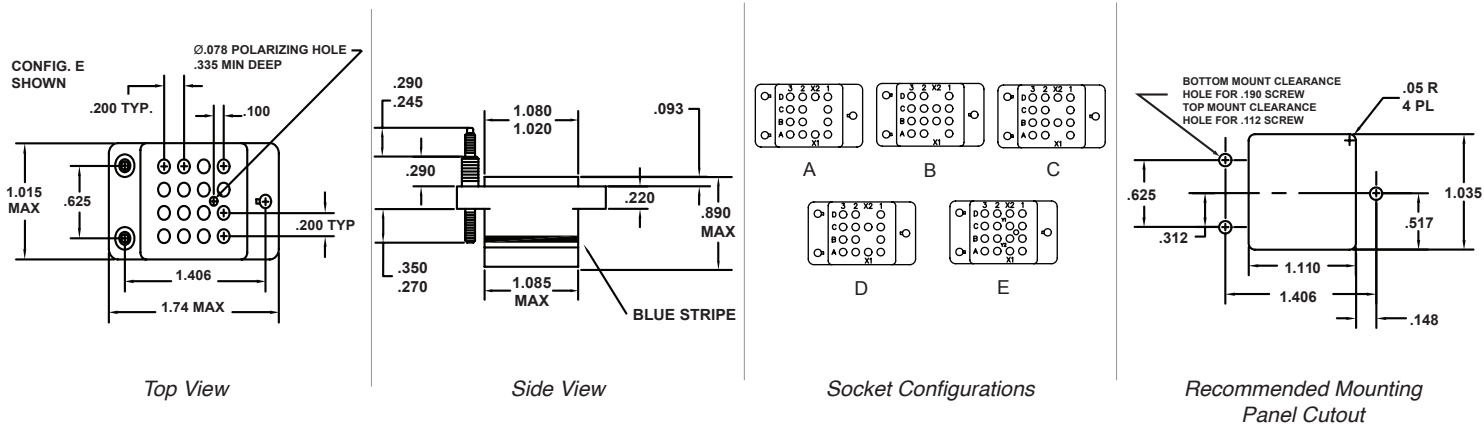
**Contact Retainers:** Stainless Steel

**Socket Contacts:** Stainless Steel, Hard Gold Plated in Accordance with SAE-AMS-2422



**Mates with M83536, M6106, M27709, M83726 Relays**

## Dimensions



LOW PROFILE RELAY SOCKETS								Weight	
MIL P/N M12883	APCD P/N	Mounting Stud	QTY	Size <sup>1</sup>	Contact P/N	Config.	Mating Relay	Pounds	Grams
/40-13	RSE116661	Loose	14	16/16	/92-533	A	M83536/15-022, M83536/16-006,-014,-031,-034 M83726/1,2,3,4,28,29,30,31*, M27709-02	.100	60
/40-14	RSE116663	Loose	14	16/16	/5-/92-533	B	M83536/17-002,-005		
/40-15	RSE116665	Loose	14	16/16	/5-/92-533	C			
/40-16	RSE116667	Loose	14	16/16	/92-533	D	Leach Corp KA-D4E & J		
/40-17	RSE116669	Loose	14	16/20	/92-534	A	M83536/15-022, M83536/16-006,-014,-031,-034 M83726/1,2,3,4,28,29,31,N27709-02		
/40-18	RSE116671	Loose	16	16/16	/92-533	E	M83536/18-002,005,008,012 M83536/19-002,008,012, M83536/20-002		
/40-19	RSE116673	Fixed	14	16/16	/92-533	A	M83536/15-022, M83536/16-006,-014,-031,-034 M83726/1,2,3,4,28,29,31,N27709-02		
/40-20	RSE116675	Fixed	14	16/16	/92-533	B	M83536/17-002,-005		
/40-21	RSE116677	Fixed	14	16/16	/92-533	C			
/40-22	RSE116679	Fixed	14	16/16	/92-533	D	Leach Corp KA-D4E & J		
/40-23	RSE116681	Fixed	14	16/20	/92-534	A	M83536/15-022, M83536/16-006,-014,-031,-034 M83726/1,2,3,4,28,29,31,M27709-02		
/40-24	RSE116683	Fixed	16	16/16	/92-533	E	M83536/18-002,-005,-008,-012 M83536/19-002,-008,-012, M83536/20-002		

<sup>1</sup>. Mating End/Wire Barrel



Mates with M83536, M6106 Relays

### Operating Range

**Temperature:** -65°C to 125°C

**Insulation Resistance:** 1000 Megaohms Min.

**Dielectric Withstanding Voltage:** 1500 VRMS at Sea Level 500 VRMS at 80,000 ft.

**Vibration:** MIL-STD-202, Method 204 Test Condition G

**Shock:** MIL-STD-202, Method 213 Test Condition C

### Materials

**Socket Body:** Polyetherimide per ASTM-D5205

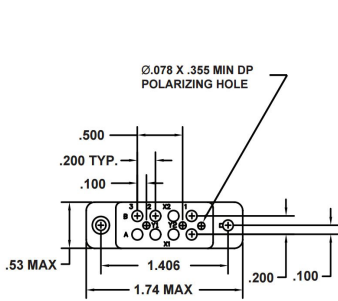
**Grommet:** Silicone Rubber per A-A-59588

**Hardware:** Stainless Steel or Steel w/Cadmium Chromate Finish

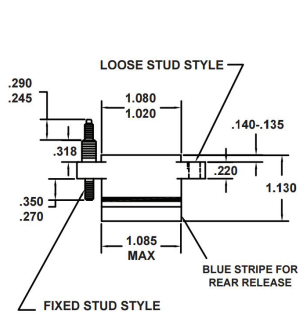
**Contact Retainers:** Stainless Steel

**Socket Contacts:** Stainless Steel, Hard Gold Plated in Accordance with SAE-AMS-2422

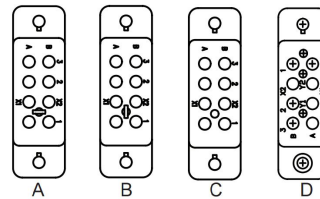
### Dimensions



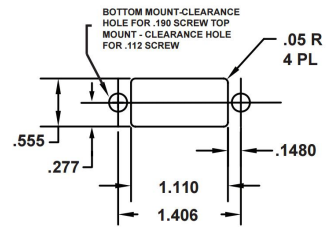
Top View



Side View



Socket Configurations



Recommended Mounting Panel Cutout

EXTENDED HEIGHT RELAY SOCKETS								Weight	
MIL P/N M12883	APCD P/N	Mounting Stud	QTY	Size <sup>1</sup>	Contact P/N	Config.	Mating Relay	Pounds	Grams
/41-01	RSL116091	Loose	8	16/16	/5-116	C	M83536/9-006, 015, 024, 035 M83536/10-006, 015, 024, 034, 038	.073	33
/41-02	RSL116093	Loose	8	16/16	/5-116	B	M83536/11-002, 004, 007		
/41-03	RSL116095	Loose	8	16/16	/5-116	A	Leach Corp JA-D4E & J		
/41-04	RSL116097	Loose	8	16/20	/5-116	C	M83536/9-006, 015, 024, 035 M83536/10-006, 015, 024, 034, 038		
/41-05	RSL116099	Loose	8	16/16	/5-116	D	M83536/12-008, /14-008		
				22/22	/5-TBD				
/41-06	RSL116063	Fixed	8	16/16	/5-116	C	M83536/9-006, 015, 024, 035 M83536/10-006, 015, 024, 034, 038		
/41-07	RSL116065	Fixed	8	16/16	/5-116	B	M83536/11-002, 004, 007		
/41-08	RSL116067	Fixed	8	16/20	/5-116	A	Leach Corp JA-D4E & J		
/41-09	RSL116069	Fixed	8	16/16	/5-116	C	M83536/9-006, 015, 024, 035 M83536/10-006, 015, 024, 034, 038		
				22/22	/5-TBD				
/41-10	RSL116071	Fixed	8	16/16	/5-116	D	M83536/12-008, /14-008		
				22/22	/5-TBD				

<sup>1</sup> Mating End/Wire Barrel

# Low Profile RSE 2 Pole/10 Amp

MIL-PRF-12883/41

## Operating Range

**Temperature:** -65°C to 125°C

**Insulation Resistance:** 1000 Megaohms Min.

**Dielectric Withstanding Voltage:** 1500 VRMS at Sea Level 500 VRMS at 80,000 ft.

**Vibration:** MIL-STD-202, Method 204 Test Condition G

**Shock:** MIL-STD-202, Method 213 Test Condition C

## Materials

**Socket Body:** Polyetherimide per ASTM-D5205

**Grommet:** Silicone Rubber per A-A-59588

**Hardware:** Stainless Steel or Steel w/Cadmium Chromate Finish

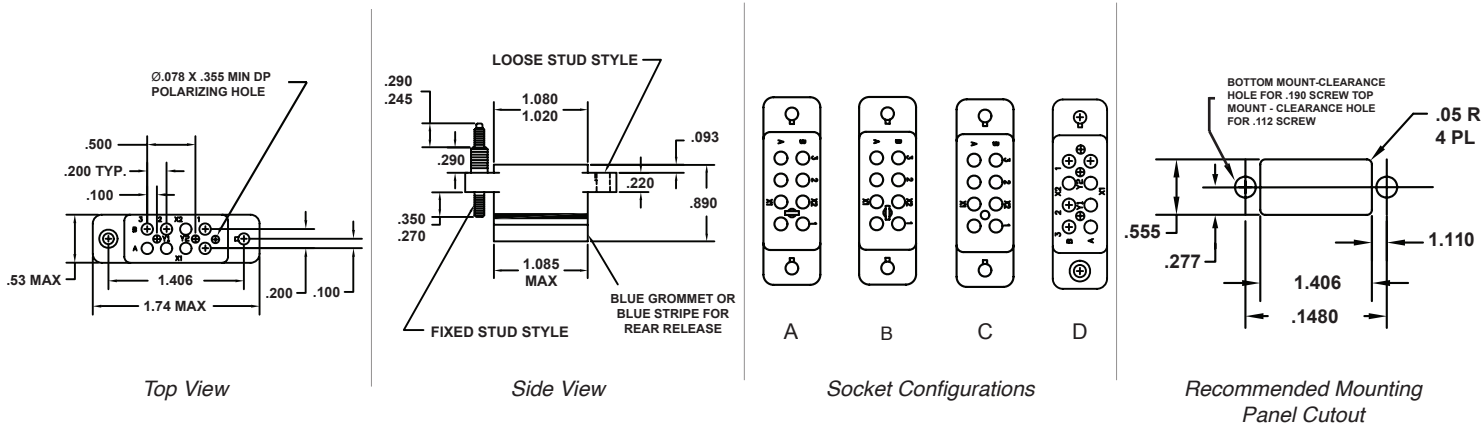
**Contact Retainers:** Stainless Steel

**Socket Contacts:** Stainless Steel, Hard Gold Plated in Accordance with SAE-AMS-2422



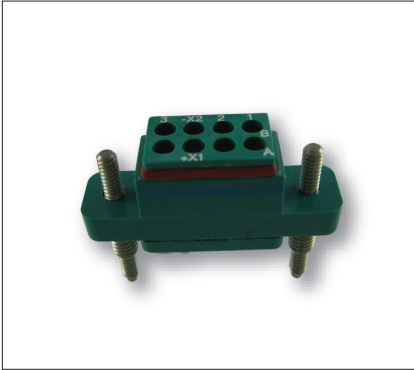
Mates with M83536, M6106 Relays

## Dimensions



LOW PROFILE RELAY SOCKETS								Weight	
MIL P/N M12883	APCD P/N	Mounting Stud	QTY	Size <sup>1</sup>	Contact P/N	Config.	Mating Relay	Pounds	Grams
/41-11	RSL116091	Loose	8	16/16	/92-533	C	M83536/9-006, 015, 024, 035 M83536/10-006, 015, 024, 034, 038	.055	25
/41-12	RSL116093	Loose	8	16/16	/92-533	B	M83536/11-002, 004, 007		
/41-13	RSL116095	Loose	8	16/16	/92-533	A	TBD		
/41-14	RSL116097	Loose	8	16/20	/92-533	C	Leach Corp JA-D4E & J		
/41-15	RSL116099	Loose	8	16/16	/92-533	D	M83536/13-002, 005, -008, -012 M83536/13-002, -005, -008, -012		
			2	22/22	/92-551				
/41-16	RSL116063	Fixed	8	16/16	/92-533	C	M83536/9-006, 015, 024, 035 M83536/10-006, 015, 024, 034, 038		
/41-17	RSL116065	Fixed	8	16/16	/92-533	B	M83536/11-002, 004, 007		
/41-18	RSL116067	Fixed	8	16/16	/92-533	A	Leach Corp JA-D4E & J		
/41-19	RSL116069	Fixed	8	16/20	/92-534	C	M83536/9-006, 015, 024, 035 M83536/10-006, 015, 024, 034, 038		
/41-20	RSL116071	Fixed	8	16/16	/92-553	D	M83536/13-002, -005, -008, -012 M83536/13-002, -005, -008, -012		
			2	22/22	/92-551				

1. Mating End/Wire Barrel



Mates with M83536, M6106 Relays

**Operating Range**

Temperature: -65°C to 125°C

Insulation Resistance: 1000 Megaohms Min.

Dielectric Withstanding Voltage: 1000 VRMS at Sea Level 500 VRMS at 80,000 ft.

Vibration: MIL-STD-202, Method 204 Test Condition G

Shock: MIL-STD-202, Method 213 Test Condition C

**Materials**

Socket Body: Polyetherimide per ASTM-D5205

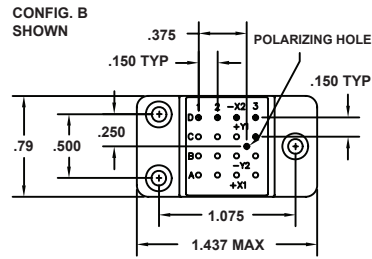
Grommet: Silicone Rubber per A-A-59588

Hardware: Stainless Steel or Steel w/Cadmium Chromate Finish

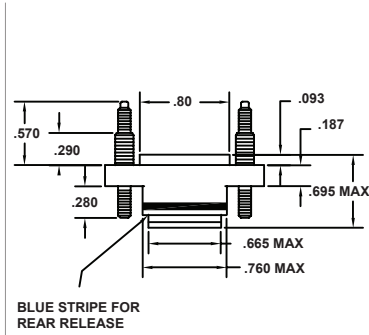
Contact Retainers: Stainless Steel

Socket Contacts: Stainless Steel, Hard Gold Plated in Accordance with SAE-AMS-2422

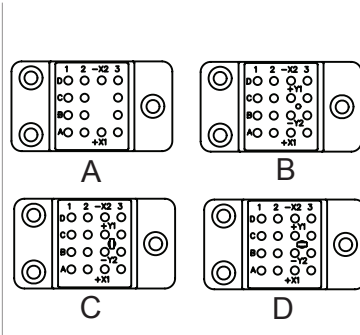
**Dimensions**



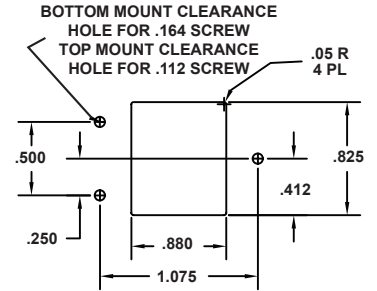
Top View



Side View



Socket Configurations



Recommended Mounting Panel Cutout

LOW PROFILE RELAY SOCKETS								Weight	
MIL P/N M12883	APCD P/N	Mounting Stud	QTY	Size <sup>1</sup>	Contact P/N	Config.	Mating Relay	Pounds	Grams
/44-01	RSE120151	Fixed	8	20/20	/101-553	A	M83536/5-006,-014,-022,-030 M83536/6,-006,-014,-022,-032	.055	25
/44-02	RSE120153	Fixed	8	20/20	/101-553	B	M83536/7-002		
/44-03	RSE120155	Fixed	8	20/20	/101-553	C			
/44-04	RSE120157	Fixed	8	20/20	/101-553	D			

<sup>1</sup>. Mating End/Wire Barrel

## Operating Range

**Temperature:** -65°C to 125°C

**Insulation Resistance:** 1000 Megaohms Min.

**Dielectric Withstanding Voltage:** 1000 VRMS at Sea Level 500 VRMS at 80,000 ft.

**Vibration:** MIL-STD-202, Method 204 Test Condition G

**Shock:** MIL-STD-202, Method 213 Test Condition C

## Materials

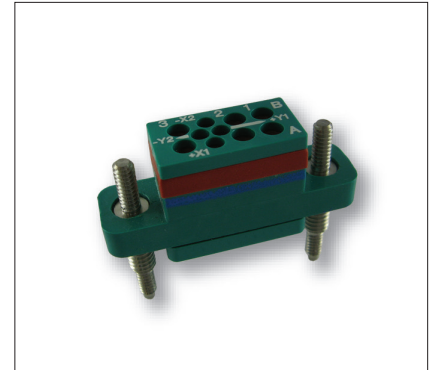
**Socket Body:** Polyetherimide per ASTM-D5205

**Grommet:** Silicone Rubber per A-A-59588

**Hardware:** Stainless Steel or Steel w/Cadmium Chromate Finish

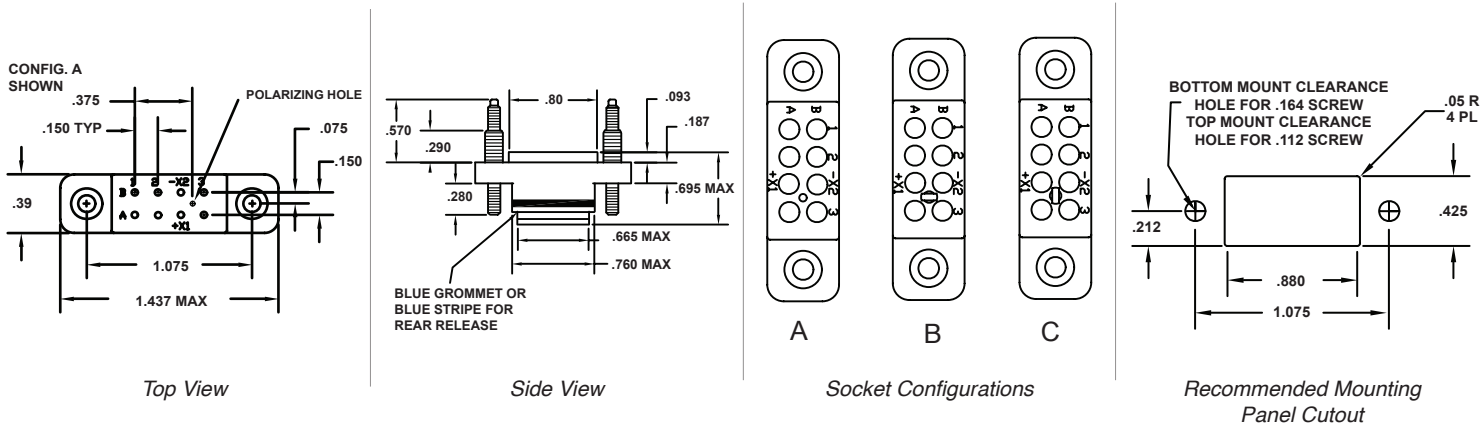
**Contact Retainers:** Stainless Steel

**Socket Contacts:** Stainless Steel, Hard Gold Plated in Accordance with SAE-AMS-2422



Mates with M83536, M6106 Relays

## Dimensions



LOW PROFILE RELAY SOCKETS									
MIL P/N M12883	APCD P/N	Mounting Stud	QTY	Size <sup>1</sup>	Contact P/N	Config.	Mating Relay	Weight	
								Pounds	Grams
/45-01	RSE120159	Fixed	8	20/20	/101-553	A	M83536/1-006, -015, -024, -033 M83536/2-006, -015, -024, -035	.033	15
/45-02	RSE120161	Fixed	8	20/20	/101-553	B			
/45-03	RSE120163	Fixed	8	20/20	/101-553	C			

1. Mating End/Wire Barrel



Mates with M6106/38 Relays

**Operating Range**

Temperature: -65°C to 125°C

Insulation Resistance: 1000 Megaohms Min.

Dielectric Withstanding Voltage: 1000 VRMS at Sea Level 500 VRMS at 80,000 ft.

Vibration: MIL-STD-202, Method 204 Test Condition G

Shock: MIL-STD-202, Method 213 Test Condition C

**Materials**

Socket Body: Polyetherimide per ASTM-D5205

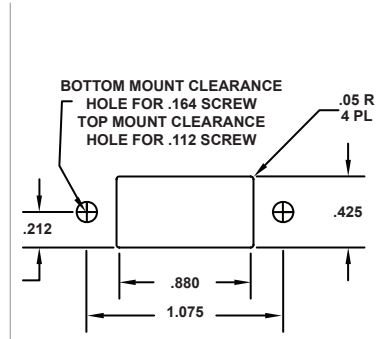
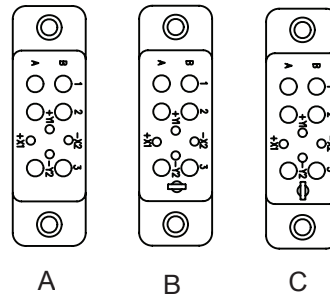
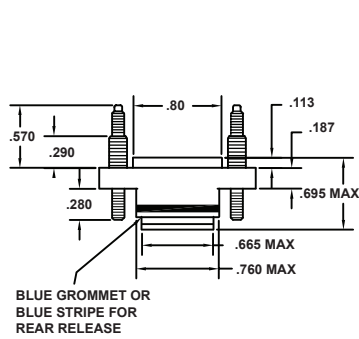
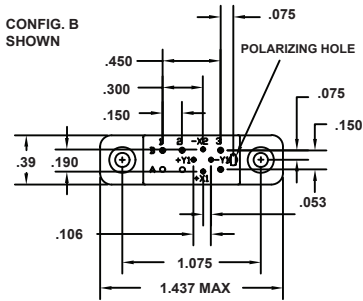
Grommet: Silicone Rubber per A-A-59588

Hardware: Stainless Steel or Steel w/Cadmium Chromate Finish

Contact Retainers: Stainless Steel

Socket Contacts: Stainless Steel, Hard Gold Plated in Accordance with SAE-AMS-2422

**Dimensions**



LOW PROFILE RELAY SOCKETS								Weight					
MIL P/N M12883	APCD P/N	Mounting Stud	QTY	Size <sup>1</sup>	Contact P/N	Config.	Mating Relay	Pounds	Grams				
/45-04	RSE120165	Fixed	6	20/20	/101-553	A	M6106/38-002	.033	15				
			4	20/20	/101-552								
/45-05	RSE120167	Fixed	6	20/20	/101-553	B				.033	15		
			4	20/20	/101-552								
/45-06	RSE120169	Fixed	6	20/20	/101-553	C						.033	15
			4	20/20	/101-552								

1. Mating End/Wire Barrel

## Operating Range

**Temperature:** -65°C to 125°C

**Insulation Resistance:** 1000 Megaohms Min.

**Dielectric Withstanding Voltage:** 1250 VRMS at Sea Level 500 VRMS at 80,000 ft.

**Vibration:** MIL-STD-202, Method 204 Test Condition G

**Shock:** MIL-STD-202, Method 213 Test Condition C

## Materials

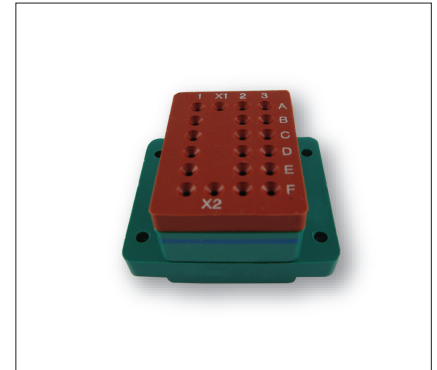
**Socket Body:** Polyetherimide per ASTM-D5205

**Grommet:** Silicone Rubber per A-A-59588

**Hardware:** Stainless Steel or Steel w/Cadmium Chromate Finish

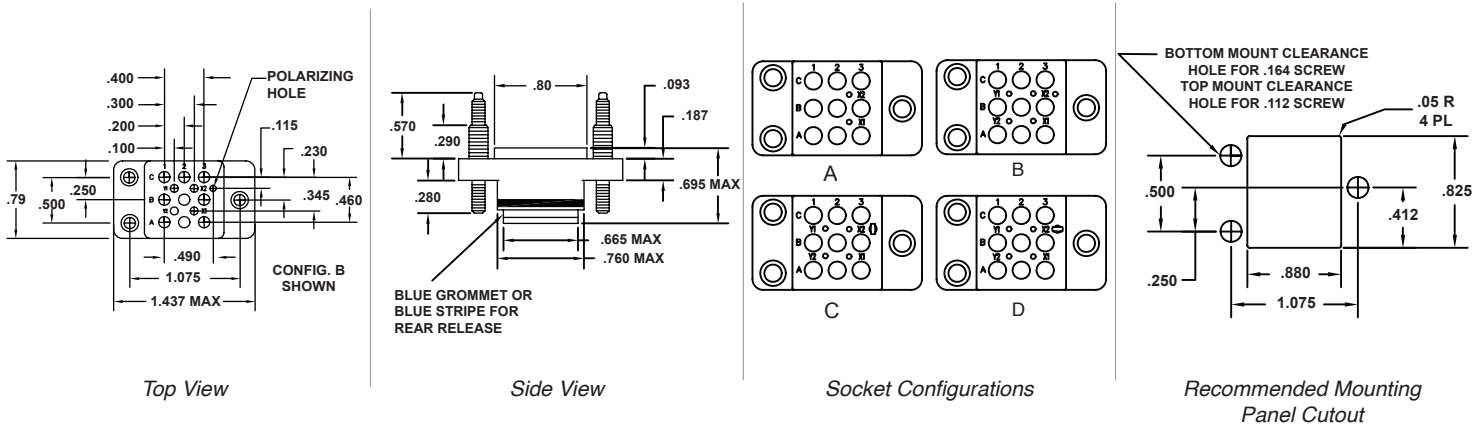
**Contact Retainers:** Stainless Steel

**Socket Contacts:** Stainless Steel, Hard Gold Plated in Accordance with SAE-AMS-2422



Mates with M83536, M6106 Relays

## Dimensions



LOW PROFILE RELAY SOCKETS								Weight	
MIL P/N M12883	APCD P/N	Mounting Stud	QTY	Size <sup>1</sup>	Contact P/N	Config.	Mating Relay	Pounds	Grams
								.055	25
/46-01	RSE116747	Fixed	9	16/16	/101-554	A	M83536/21-006,-014,-022,-030 M83536/22-006,-014,-022,-030		
			2	20/20	/101-553				
/46-02	RSE116749	Fixed	9	16/16	/101-554	B	M6106/40-002		
			2	20/20	/101-553				
/46-03	RSE116751	Fixed	9	16/16	/101-554	C			
			2	20/20	/101-553				
/46-04	RSE116753	Fixed	9	16/16	/101-554	D			
			2	20/20	/101-553				

1. Mating End/Wire Barrel



Mates with M83536, M6106 Relays

### Operating Range

**Temperature:** -65°C to 125°C

**Insulation Resistance:** 1000 Megaohms Min.

**Dielectric Withstanding Voltage:** 1500 VRMS at Sea Level 500 VRMS at 80,000 ft.

**Vibration:** MIL-STD-202, Method 204 Test Condition G

**Shock:** MIL-STD-202, Method 213 Test Condition C

### Materials

**Socket Body:** Polyetherimide per ASTM-D5205

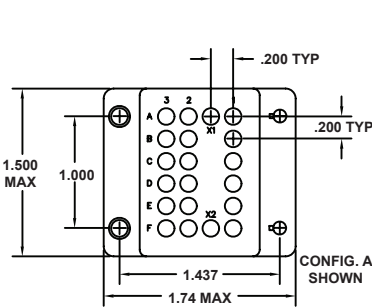
**Grommet:** Silicone Rubber per A-A-59588

**Hardware:** Stainless Steel or Steel w/Cadmium Chromate Finish

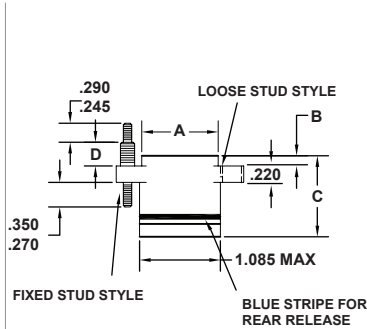
**Contact Retainers:** Stainless Steel

**Socket Contacts:** Stainless Steel, Hard Gold Plated in Accordance with SAE-AMS-2422

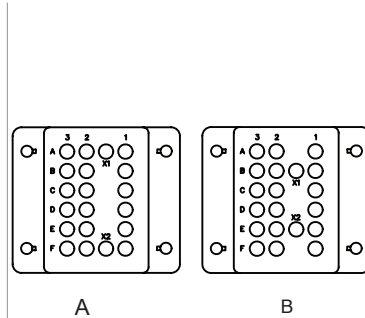
### Dimensions



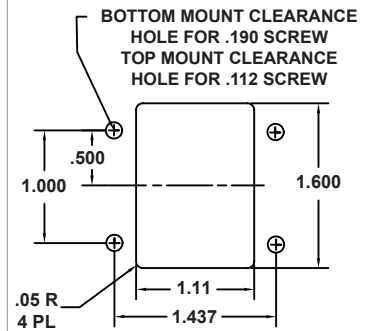
Top View



Side View



Socket Configurations



Recommended Mounting Panel Cutout

LOW PROFILE RELAY SOCKETS								Weight	
MIL P/N M12883	APCD P/N	Mounting Stud	QTY	Size <sup>1</sup>	Contact P/N	Config.	Mating Relay	Pounds	Grams
/47-01	RSE116755	Loose	20	16/16	/92-533	A	M83536/25-002, M83536/26-002	.144	65
/47-02	RSE116757	Loose	20	16/16	/92-533	B	M83536/27-002		
/47-04	RSE116761	Fixed	20	16/16	/92-533	C	M83536/25-002, M83536/26-002		
/47-05	RSE116763	Fixed	20	16/16	/92-533	D	M83536/27-002		
EXTENDED HEIGHT RELAY SOCKETS								.176	80
/47-07	RSL116101	Loose	20	16/16	/5-116	A	M83536/25-002, M83536/26-002		
/47-08	RSL116103	Loose	20	16/16	/5-116	B	M83536/27-002		
/47-10	RSL116073	Fixed	20	16/16	/5-116	A	M83536/25-002, M83536/26-002		
/47-11	RSL116075	Fixed	20	16/16	/5-116	B	M83536/27-002		

1. Mating End/Wire Barrel



## Operating Range

**Temperature:** -65°C to 125°C

**Insulation Resistance:** 1000 Megaohms Min.

**Dielectric Withstanding Voltage:** 1500 VRMS at Sea Level 500 VRMS at 80,000 ft.

**Vibration:** MIL-STD-202, Method 204 Test Condition G

**Shock:** MIL-STD-202, Method 213 Test Condition C

## Materials

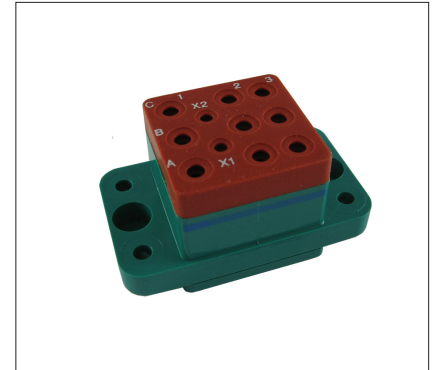
**Socket Body:** Polyetherimide per ASTM-D5205

**Grommet:** Silicone Rubber per A-A-59588

**Hardware:** Stainless Steel or Steel w/Cadmium Chromate Finish

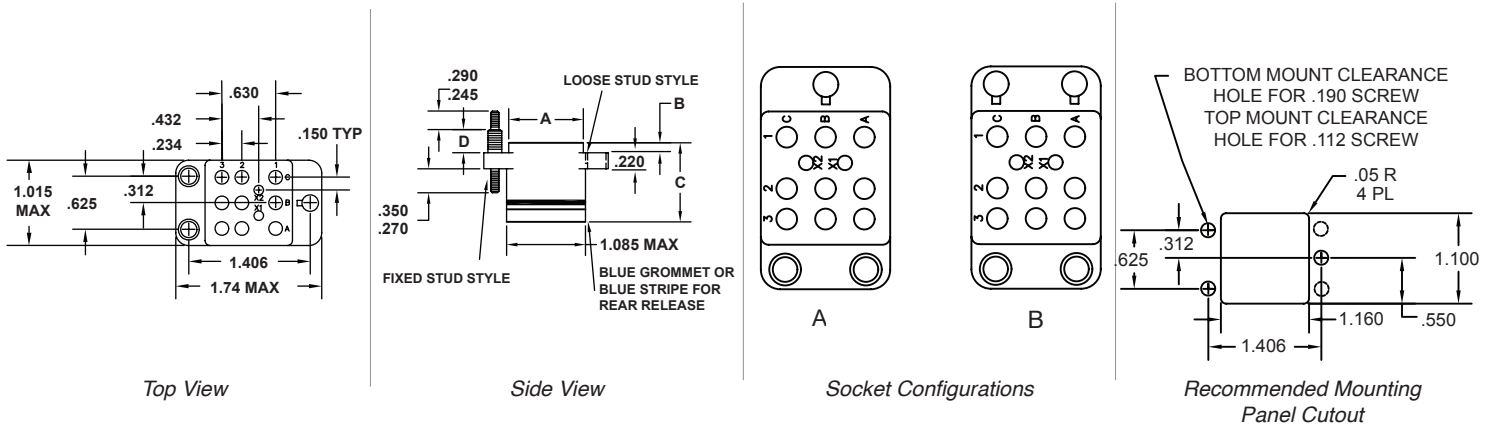
**Contact Retainers:** Stainless Steel

**Socket Contacts:** Stainless Steel, Hard Gold Plated in Accordance with SAE-AMS-2422



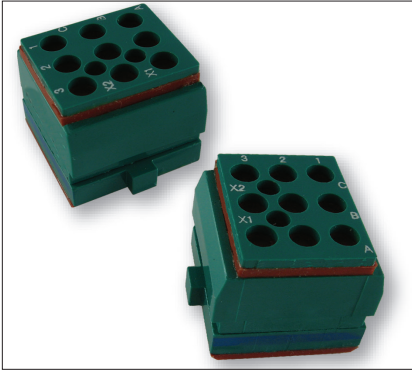
Mates with MS27743 Relays

## Dimensions



LOW PROFILE RELAY SOCKETS									
MIL P/N M12883	APCD P/N	Mounting Stud	QTY	Size <sup>1</sup>	Contact P/N	Config.	Mating Relay	Weight	
								Pounds	Grams
/48-01	RSE112061	Loose	2	16/16	/92-533	A	MS27743-06, -12, -18, -24	.109	49
			9	12/12	/92-535	A	MS27743-06, -12, -18, -24		
/48-02	RSE112063	Fixed	2	16/16	/92-533	A	MS27743-09, -15, -21, -27		
			9	12/12	/92-535	A	MS27743-09, -15, -21, -27		
/48-05	RSE112065	Loose	2	16/16	/92-533	B	MS27743-06, -12, -18, -24		
			9	12/12	/92-535	B	MS27743-06, -12, -18, -24		
/48-06	RSE112067	Fixed	2	16/16	/92-533	B	MS27743-09, -15, -21, -27		
			9	12/12	/92-535	B	MS27743-09, -15, -21, -27		
EXTENDED HEIGHT RELAY SOCKETS									
/48-03	RSL112105	Loose	2	16/16	/5-116	A	MS27743-06, -12, -18, -24	.129	55
			9	12/12	/5-118	A	MS27743-06, -12, -18, -24		
/48-04	RSL112101	Fixed	2	16/16	/5-116	A	MS27743-09, -15, -21, -27		
			9	12/12	/5-118	A	MS27743-09, -15, -21, -27		
/48-07	RSL112107	Loose	2	16/16	/5-116	B	MS27743-06, -12, -18, -24		
			9	12/12	/5-118	B	MS27743-06, -12, -18, -24		
/48-08	RSL112103	Fixed	2	16/16	/5-116	B	MS27743-09, -15, -21, -27		
			9	12/12	/5-118	B	MS27743-09, -15, -21, -27		

1. Mating End/Wire Barrel



Mates with MS83726, M83536 & M6106 Relays

## Operating Range

Temperature: -65°C to 125°C

Insulation Resistance: 1000 Megaohms Min.

Dielectric Withstanding Voltage: 1500 VRMS at Sea Level 700 VRMS at 80,000 ft.

Vibration: MIL-STD-202, Method 204 Test Condition G

Shock: MIL-STD-202, Method 213 Test Condition C

## Materials

Socket Body: Polyetherimide per ASTM-D5205

Grommet: Silicone Rubber per A-A-59588

Hardware: Stainless Steel or Steel w/Cadmium Chromate Finish

Contact Retainers: Stainless Steel

Socket Contacts: Stainless Steel, Hard Gold Plated in Accordance with SAE-AMS-2422

## Dimensions

### M12883/53-001 Mounting Track Dimensions

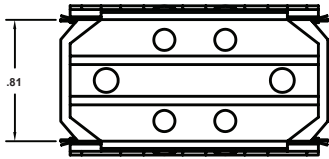
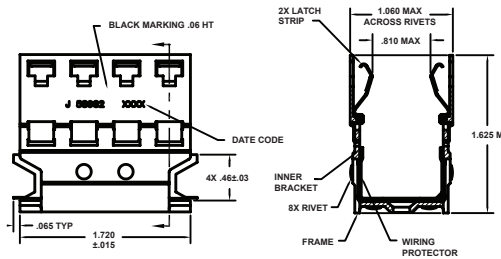
Outer Track: Aluminum Alloy per QQ-A-225 Chemical Coating per MIL-C-5541, Class 3

Inner Brackets and Rivets: Stainless Steel per QQ-S-766, Passivated

Latch: Beryllium copper #172 per QQ-C-533 Bright Finish

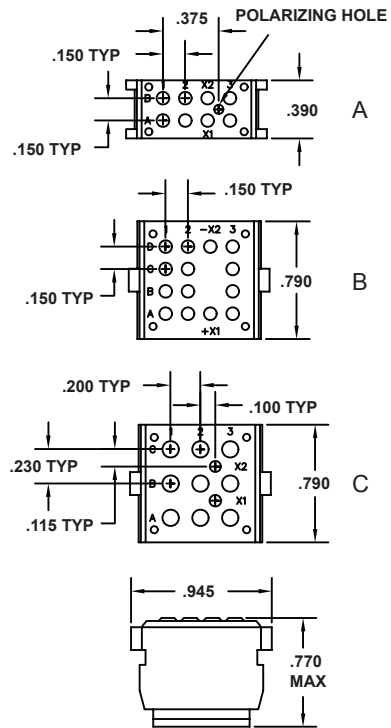
Wiring Protector: Aramid Paper per MIL-I-24202

Track Operating Range: -65°C to 125°C



Track Dimensions

Track Weight	
Pounds	Grams
.053	24



Socket Dimensions

LOW PROFILE RELAY SOCKETS								
MIL P/N M12883	APCD P/N	QTY	Size <sup>1</sup>	Contact P/N	Config.	Mating Relay	Weight	
							Pounds	Grams
/52-001	RSE116175	8	20/20	/101-553	A	M83536/2-028, M83726/27, /25	.016	7
/52-002	RSE116185	14	20/20	/101-533	B	M83536/6-025	.031	14
/52-003	RSE116195	9	16/16	/101-554	C	M83536/22-025		
		2	20/20	/101-553				

1. Mating End/Wire Barrel

## Operating Range

**Temperature:** -65°C to 125°C

**Insulation Resistance:** 1000 Megaohms Min.

**Dielectric Withstanding Voltage:** 1500 VRMS at Sea Level 500 VRMS at 80,000 ft.

**Vibration:** MIL-STD-202, Method 204 Test Condition G

**Shock:** MIL-STD-202, Method 213 Test Condition C

## Materials

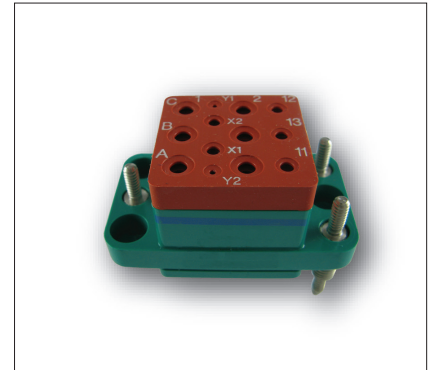
**Socket Body:** Polyetherimide per ASTM-D5205

**Grommet:** Silicone Rubber per A-A-59588

**Hardware:** Stainless Steel or Steel w/Cadmium Chromate Finish

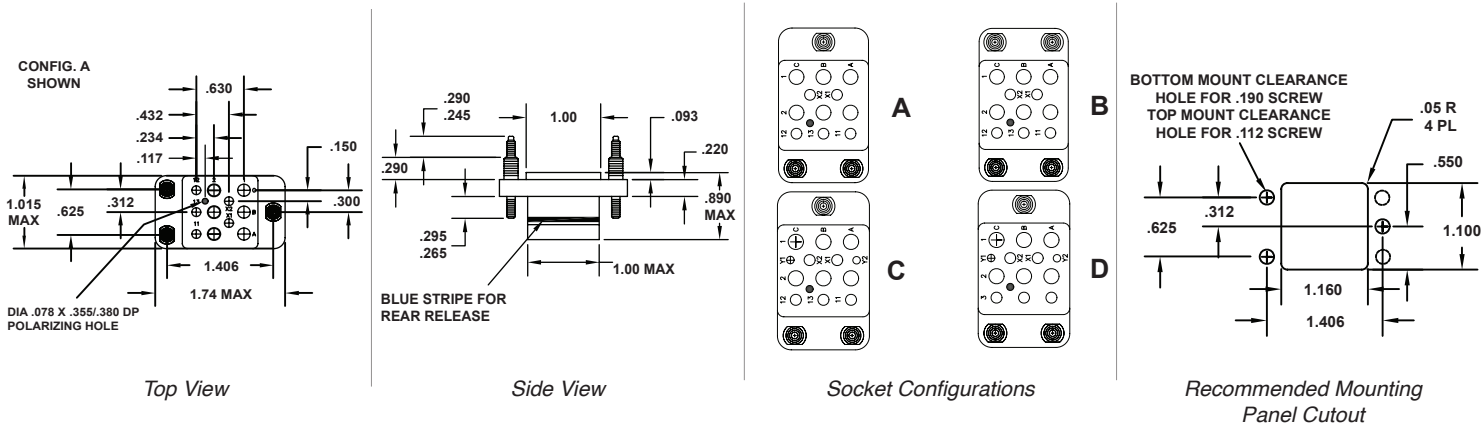
**Contact Retainers:** Stainless Steel

**Socket Contacts:** Stainless Steel, Hard Gold Plated in Accordance with SAE-AMS-2422



**Mates with M6106/12, /13 & MS27742 Relays**

## Dimensions



Top View

Side View

Socket Configurations

Recommended Mounting Panel Cutout

LOW PROFILE RELAY SOCKETS								Weight	
MIL P/N M12883	APCD P/N	Mounting Stud	QTY	Size <sup>1</sup>	Contact P/N	Config.	Mating Relay	Pounds	Grams
/54-01	RSE116627	Fixed	5	16/16	/92-533	A	M6106/13-002,-008,-011,-013,-015	.132	60
			6	12/12	/92-535				
/54-02	RSE116631	Fixed	5	16/16	/92-533	B	M6106/13-004	.132	60
			6	12/12	/92-535				
/54-03	RSE116629	Fixed	5	16/16	/92-533	C	M6106/12-002	.154	70
			6	12/12	/92-535				
/54-04	RSE116635	Fixed	5	16/16	/92-533	D	MS27742-2	.154	70
			6	12/12	/92-535				

<sup>1</sup> Mating End/Wire Barrel



Mates with M6106/19, 20 Relays

**Operating Range**

Temperature: -65°C to 125°C

Insulation Resistance: 1000 Megaohms Min.

Dielectric Withstanding Voltage: 1500 VRMS at Sea Level 500 VRMS at 80,000 ft.

Vibration: MIL-STD-202, Method 204 Test Condition G

Shock: MIL-STD-202, Method 213 Test Condition C

**Materials**

Socket Body: Polyetherimide per ASTM-D5205

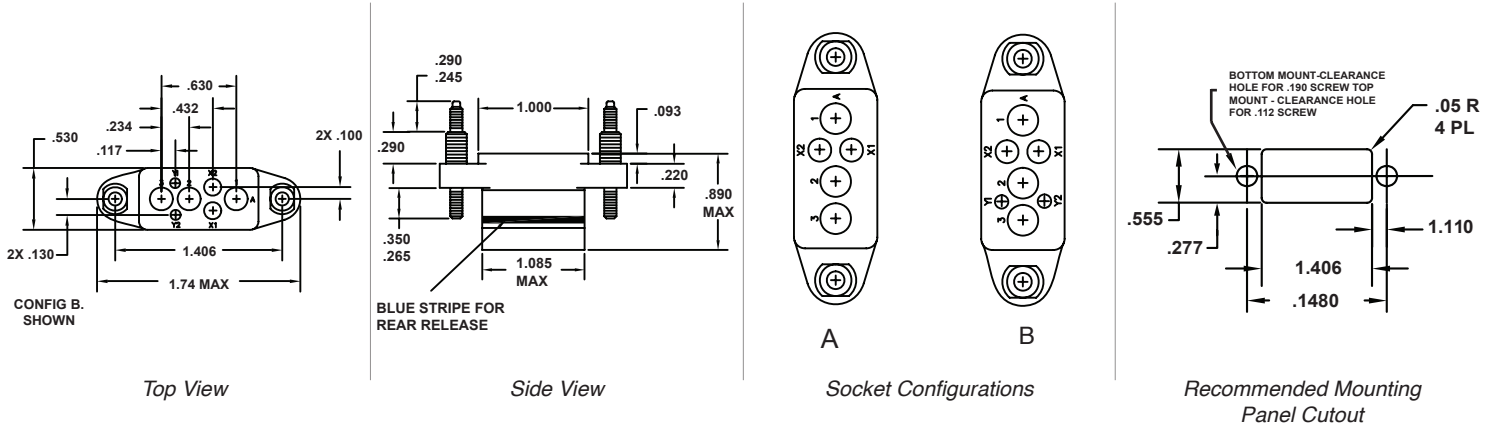
Grommet: Silicone Rubber per A-A-59588

Hardware: Stainless Steel or Steel w/Cadmium Chromate Finish

Contact Retainers: Stainless Steel

Socket Contacts: Stainless Steel, Hard Gold Plated in Accordance with SAE-AMS-2422

**Dimensions**



RELAY SOCKETS FOR 2 POLE/2AMP MICROMINATURE RELAYS								Weight		
MIL P/N	M12883	APCD P/N	Mounting Stud	QTY	Size <sup>1</sup>	Contact P/N	Config.	Mating Relay	Pounds	Grams
/54-01	RSE112035	Fixed	2	16/16	/92-533	A	M6106/19-004, -007, -012, -017, -022	.073	33	
			3	12/12	/92-535					
/54-02	RSE112036	Fixed	2	16/16	/92-533	A	M6106/19-004, -007, -012, -017, -022			
			3	12/12	/92-535					
/54-03	RSE112044	Fixed	2	20/20	/92-531	B	M6106/20-002			
			2	16/16	/92-533					
			3	12/12	/92-535					

1. Mating End/Wire Barrel

# RSE 2 & 3 Pole, 2 Amp

## Operating Range

**Temperature:** -65°C to 125°C

**Insulation Resistance:** 1000 Megaohms Min.

**Dielectric Withstanding Voltage:** 2500 VRMS at Sea Level 700 VRMS at 80,000 ft.

**Vibration:** MIL-STD-202, Method 204 Test Condition G

**Shock:** MIL-STD-202, Method 213 Test Condition C

## Materials

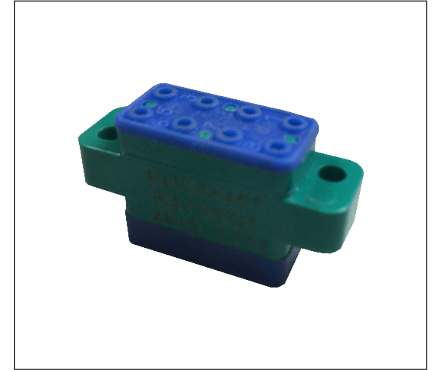
**Socket Body:** Polyetherimide per ASTM-D5205

**Grommet:** Silicone Rubber per A-A-59588

**Hardware:** Stainless Steel or Steel w/Cadmium Chromate Finish

**Contact Retainers:** Stainless Steel

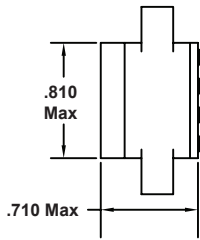
**Socket Contacts:** Stainless Steel, Hard Gold Plated in Accordance with SAE-AMS-2422



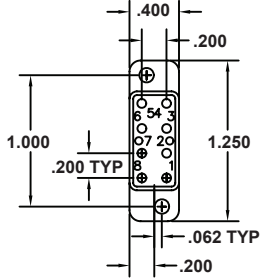
Mates with M39016 & M5757 Relays

## Dimensions

Side View

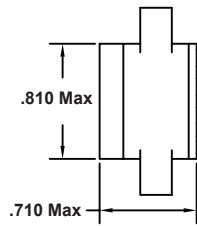


Top View

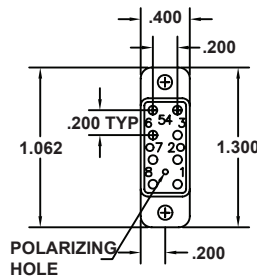


RSE120020

Side View

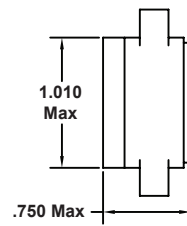


Top View

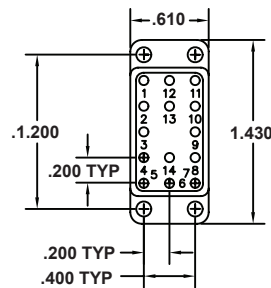


RSE120074

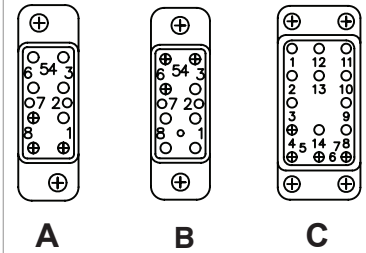
Side View



Top View



RSE120070



Socket Configurations

RELAY SOCKETS FOR 2 POLE/2AMP MICROMINATURE RELAYS							Weight	
APCD P/N	QTY	Size <sup>1</sup>	Contact P/N	Config.	Mating Relay	Pounds	Grams	
RSE120020	8	20/20	CNS109900	A	MIL-R-5757/10-022,-044	.024	11	
RSE120074	8	20/20	CNS109900	A	MIL-R-39016/55-001,-013,-025,-037			
RELAY SOCKETS FOR 3 POLE/2AMP MICROMINATURE RELAYS								
RSE120070	14	20/20	CNS109900	C	MIL-R-39016/39-002,-008,-014	.044	20	

1. Mating End/Wire Barrel



Mates with MIL-R-6106 & MS27743 Relays

**Operating Range**

Temperature: -65°C to 125°C

Insulation Resistance: 1000 Megaohms Min.

Dielectric Withstanding Voltage: 1500 VRMS at Sea Level 500 VRMS at 80,000 ft.

Vibration: MIL-STD-202, Method 204 Test Condition G

Shock: MIL-STD-202, Method 213 Test Condition C

**Materials**

Socket Body: Polyetherimide per ASTM-D5205

Grommet: Silicone Rubber per A-A-59588

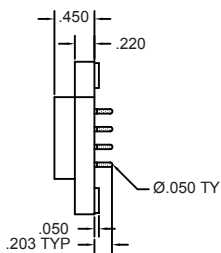
Hardware: Stainless Steel or Steel w/Cadmium Chromate Finish

Contact Retainers: Stainless Steel

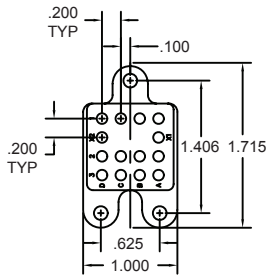
Socket Contacts: Stainless Steel, Hard Gold Plated in Accordance with SAE-AMS-2422

**Dimensions**

Side View

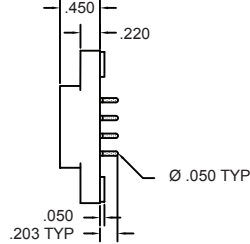


Top View

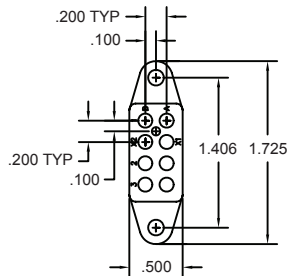


RSN116140

Side View

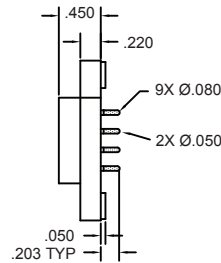


Top View

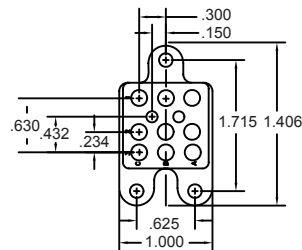


RSN116130

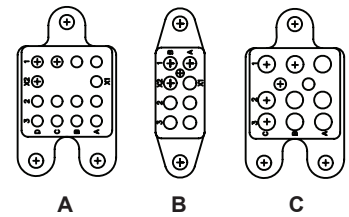
Side View



Top View



RSN112010



Socket Configurations

LOW PROFILE RELAY SOCKETS								
APCD P/N	Mounting Stud	QTY	Size <sup>1</sup>	Contact P/N	Config.	Mating Relay	Weight	
							Pounds	Grams
RSN116140	HEX	14	16/16	/92-533	A	MIL-R-6106, MS27400	.055	25
RSN116130	HEX	8	16/16	/92-533	B	MIL-R-6106, MS27401	.033	15
RSN112010	HEX	9	12/12	/92-535	C	MIL-R-6106, MS27743	.057	26
		2	16/16	/92-533				

# 6 Pole/5 Amp, 4 Pole/10 Amp, 2 & 4 Pole/5Amp, 2 Pole/10Amp

Non-Environmental Relay Sockets

## Operating Range

**Temperature:** -65°C to 125°C

**Insulation Resistance:** 1000 Megaohms Min.

**Dielectric Withstanding Voltage:** 1500 VRMS at Sea Level 500 VRMS at 80,000 ft.

**Vibration:** MIL-STD-202, Method 204 Test Condition G

**Shock:** MIL-STD-202, Method 213 Test Condition C

## Materials

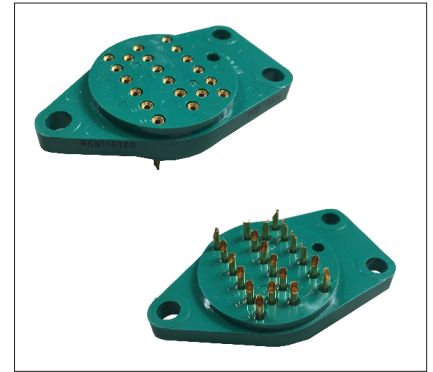
**Socket Body:** Polyetherimide per ASTM-D5205

**Grommet:** Silicone Rubber per A-A-59588

**Hardware:** Stainless Steel or Steel w/Cadmium Chromate Finish

**Contact Retainers:** Stainless Steel

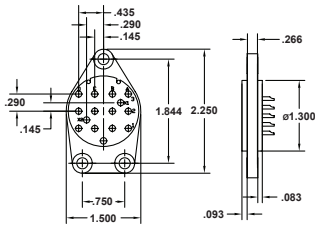
**Socket Contacts:** Stainless Steel, Hard Gold Plated in Accordance with SAE-AMS-2422



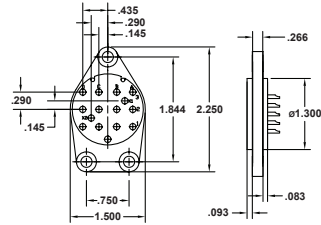
Mates with M25027 & Series 9226, 9224, 9225, 9220, 9229, 9927 Leach Corp. Relay Sockets

## Dimensions

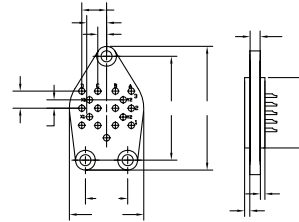
RSN116820



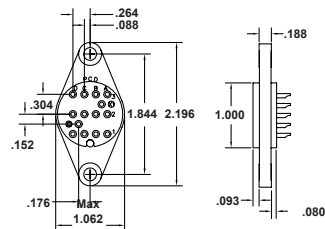
RSN116890



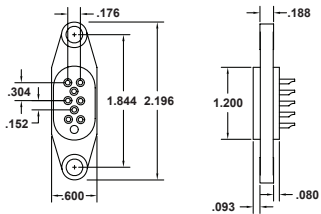
RSN116891



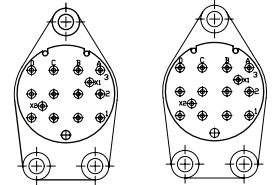
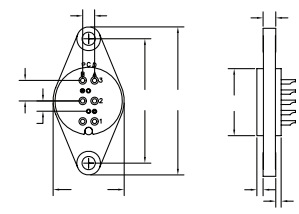
RSN116800



RSN116810

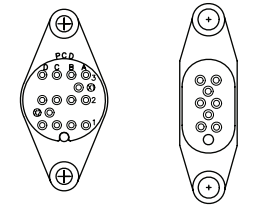


RSN116825



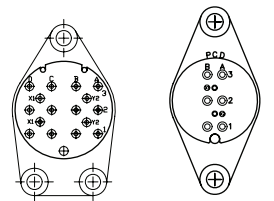
RSN116820

RSN116890



RSN116800

RSN116810



RSN116891

RSN116825

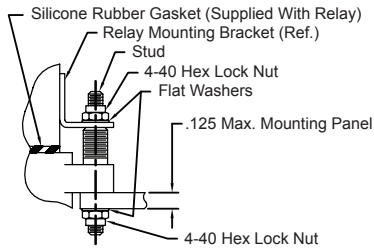
Solder Termination

Socket Configurations

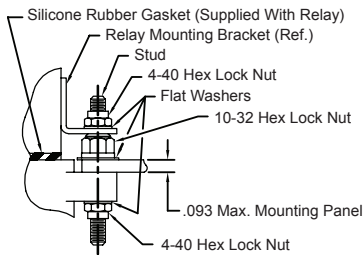
SOLDER TERMINATION RELAY SOCKETS			
APCD P/N	Ref MIL STD Socket	MIL STD Relay	Leach Corp Relay
RSN116820	MS25330	MS25329 (6 Pole/5 Amp)	9226 Series
RSN116890	MS25328	MS25327 (4 Pole/10 Amp)	9224 Series
RSN116891	MS25462	MS25461 (4 Pole/10 Amp)	9225 Series
RSN116800	MS25326	MS25325 (4 Pole/5 Amp)	9220 Series
RSN116810	MS25322	MS25321 (2 Pole/10 Amp)	9229 Series
RSN116825	MS25324	MS25323 (2 Pole/10 Amp)	9227 Series

# Relay Socket Mounting Instructions

Top

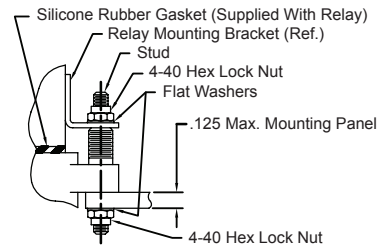


Bottom

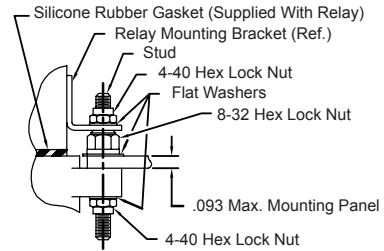


MIL-PRF-12883/40, MIL-PRF-12883/41  
 MIL-PRF-12883/47, MIL-PRF-12883/48  
 MIL-PRF-12883/54, MIL-PRF-12883/55

Top

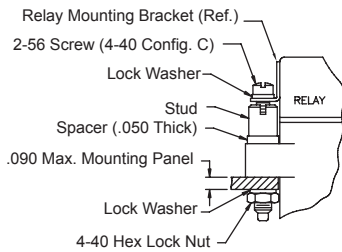


Bottom

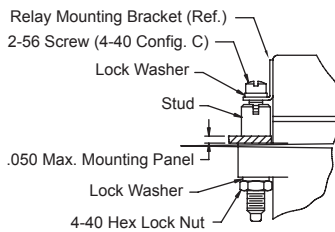


MIL-PRF-12883/44, MIL-PRF-12883/45  
 MIL-PRF-12883/46

Top

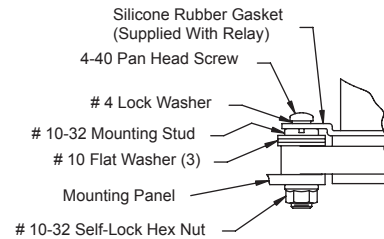


Bottom

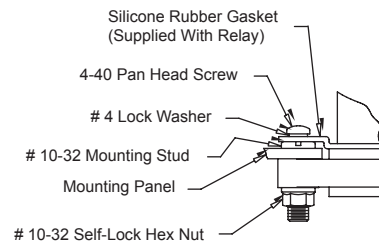


Micro-miniature Relay Sockets

Top

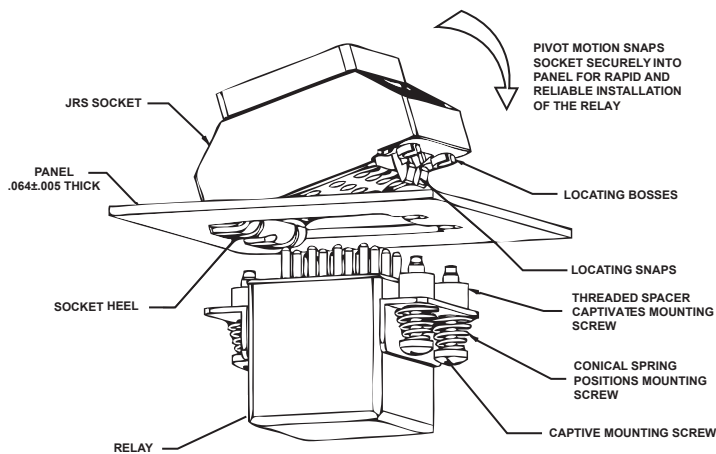


Bottom



Non-Environmental Solder Termination Relay Sockets





Amphenol Pcd's JRS/JRE Quick-Mount Relay Sockets. Snap mount into standard aircraft panel cutouts and eliminate all socket-to-bulkhead mounting hardware, simplifying installation and dramatically reducing weight and installation cost. JRS/JRE Quick-Mount Relay Sockets meet the applicable performance and dimensional requirements of MIL-PRF-12883, are compatible with Mil-Spec approved relays from any manufacturer, and can be used in existing avionic systems with standard slotted panel cutouts.

### Socket Construction & Installation

JRS/JRE sockets maintain the same MIL mounting configurations and construction (molded polyetherimide bodies and silicone rubber sealing grommets) as Amphenol Pcd's traditional relay sockets. A heel and toe snap-in system allows the socket to be mounted to the panel without hardware and held securely in place. The assembled socket and relay meet all shock and vibration requirements.

### Lower Installed Cost

Elimination of loose hardware and the time required to assemble individual hardware components to the sockets results in a reduction of over 45% in socket installation time.

### No Loose Hardware

The combination of snap-in relay-to-panel mounting and pre-assembled relay hardware eliminates all loose hardware from the socket and relay mounting and installation process. The logistical and safety issues related with loose hardware are completely avoided.

### Relay Installation

JRE/JRS Relay Sockets feature externally threaded mounting screws and spacer assemblies which are pre-assembled to the relay. These mounting screws are captured and aligned by a conical spring, and utilized to fasten the relay to the socket. The screws engage internally threaded bushings captured in the socket and once the relay is secured, the socket snap features are no longer under stress.

### Reduced Weight

The elimination of socket mounting hardware and a streamlined polyetherimide body combine to reduce the weight of a Quick-Mount Relay Socket. When compared to Amphenol Pcd standard MIL-PRF-12883 relay sockets provided with traditional mounting hardware, the weight is reduced by 30 to 40%.

# JRS 1 Pole / 25 Amp / Size 12 & 16



**Replaces MIL-PRF-12883/55  
Mates with M6106 Relays**

### Operating Range

**Temperature:** -65°C to 125°C

**Insulation Resistance:** 1000 Megaohms Min.

**Dielectric Withstanding Voltage:** 1500 VRMS at Sea Level 500 VRMS at 80,000 ft.

**Vibration:** MIL-STD-202, Method 204 Test Condition G

**Shock:** MIL-STD-202, Method 213 Test Condition C

### Materials

**Socket Body:** Polyetherimide per ASTM-D5205

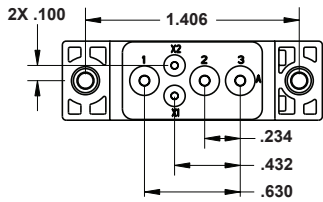
**Grommet:** Silicone Rubber per A-A-59588

**Hardware:** Stainless Steel or Steel w/Cadmium Chromate Finish

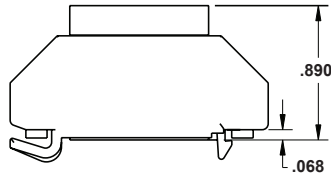
**Contact Retainers:** Stainless Steel

**Socket Contacts:** Copper Alloy, Hard Gold Finish per SAE-AMS-2422

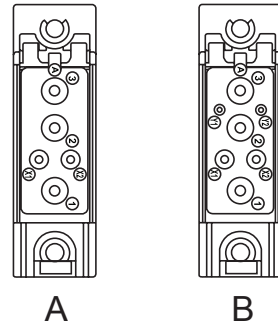
### Dimensions



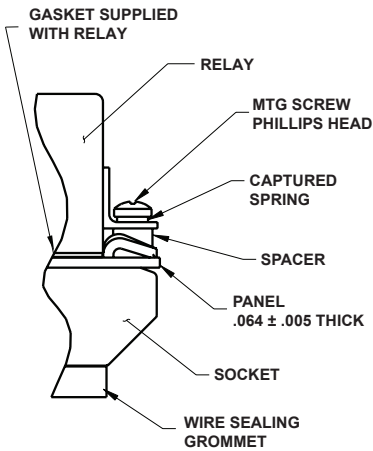
Top View



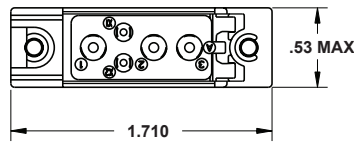
Side View



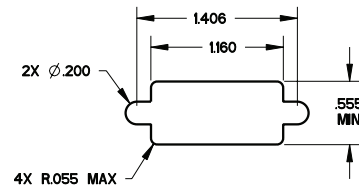
Socket Configurations



Mounting Hardware



Bottom View



Required Mounting Panel Cutout

QUICK-MOUNT RELAY SOCKET					
APCD P/N	QTY	Size <sup>1</sup>	Contact P/N	Config.	Mating Relay
JRS500100	2	16/16	/92-533	A	M6106/13, MS27743
	3	12/12	/92-535		
JRS500200	2	16/16	/92-533	B	M6106/13, MS27743
	3	12/12	/92-535		
	2	22/22	/92-531		

1. Mating End/Wire Barrel

# JRS 2 Pole / 10 Amp / Size 16

Quick-Mount Relay Sockets

## Operating Range

**Temperature:** -65°C to 125°C

**Insulation Resistance:** 1000 Megaohms Min.

**Dielectric Withstanding Voltage:** 1500 VRMS at Sea Level 500 VRMS at 80,000 ft.

**Vibration:** MIL-STD-202, Method 204 Test Condition G

**Shock:** MIL-STD-202, Method 213 Test Condition C

## Materials

**Socket Body:** Polyetherimide per ASTM-D5205

**Grommet:** Silicone Rubber per A-A-59588

**Hardware:** Stainless Steel or Steel w/Cadmium Chromate Finish

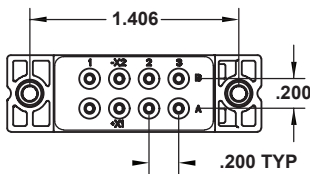
**Contact Retainers:** Stainless Steel

**Socket Contacts:** Copper Alloy, Hard Gold Finish per SAE-AMS-2422

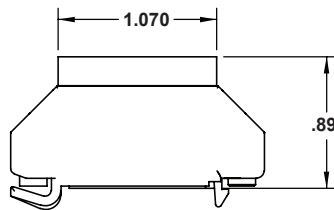


**Replaces MIL-PRF-12883/41  
Mates with M83536 Relays**

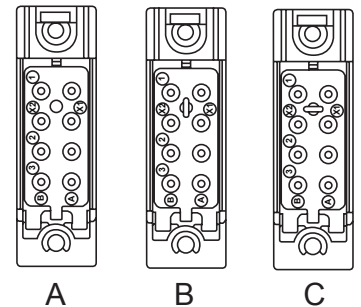
## Dimensions



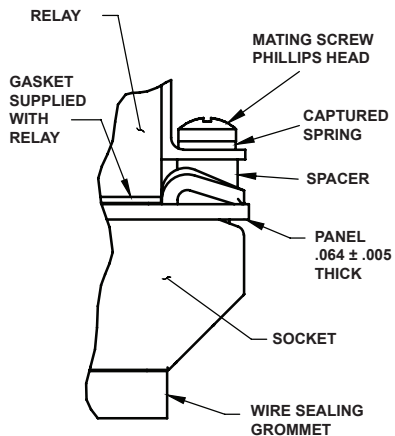
Top View



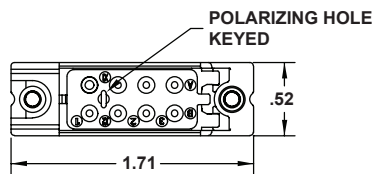
Side View



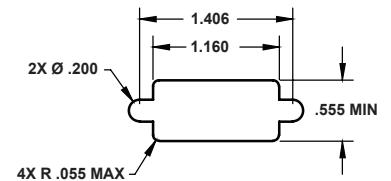
Socket Configurations



Mounting Hardware



Bottom View



Required Mounting Panel Cutout

QUICK-MOUNT RELAY SOCKET					
APCD P/N	QTY	Size <sup>1</sup>	Contact P/N	Config.	Mating Relay
JRS200100	8	16/16	/92-533	A	M83536
JRS200200	8	16/16	/92-533	B	M83536
JRS200300	8	16/16	/92-533	C	M83536

1. Mating End/Wire Barrel



**Replaces MIL-PRF-12883/48**  
**Mates with M6106 & MS27743 Relays**

### Operating Range

**Temperature:** -65°C to 125°C

**Insulation Resistance:** 1000 Megaohms Min.

**Dielectric Withstanding Voltage:** 1500 VRMS at Sea Level 500 VRMS at 80,000 ft.

**Vibration:** MIL-STD-202, Method 204 Test Condition G

**Shock:** MIL-STD-202, Method 213 Test Condition C

### Materials

**Socket Body:** Polyetherimide per ASTM-D5205

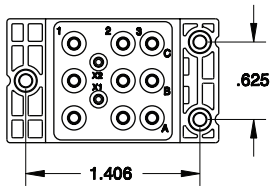
**Grommet:** Silicone Rubber per A-A-59588

**Hardware:** Stainless Steel or Steel w/Cadmium Chromate Finish

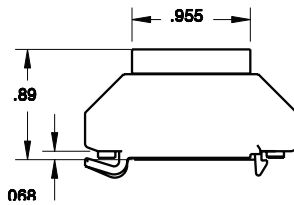
**Contact Retainers:** Stainless Steel

**Socket Contacts:** Copper Alloy, Hard Gold Finish per SAE-AMS-2422

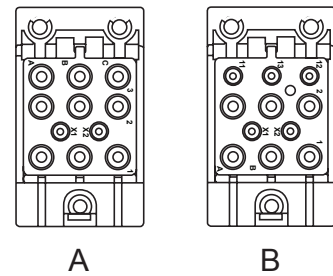
### Dimensions



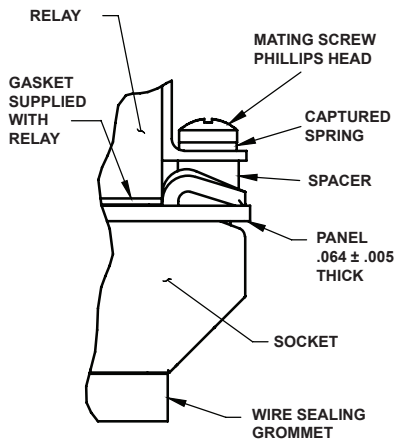
Top View



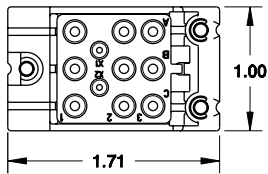
Side View



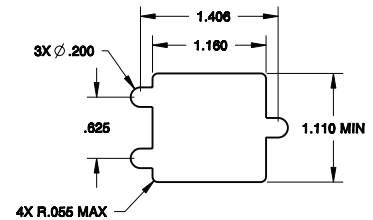
Socket Configurations



Mounting Hardware



Bottom View



Required Mounting Panel Cutout

QUICK-MOUNT RELAY SOCKET					
APCD P/N	QTY	Size <sup>1</sup>	Contact P/N	Config.	Mating Relay
JRS300100	2	16/16	/92-533	A	M6106/13, MS27743
	9	12/12	/92-535		
JRS310100	5	16/16	/92-533	B	M6106/13, MS27743
	6	12/12	/92-535		

1. Mating End/Wire Barrel

# JRS 4 Pole / 10 Amp / Size 16

Quick-Mount Relay Sockets

## Operating Range

**Temperature:** -65°C to 125°C

**Insulation Resistance:** 1000 Megaohms Min.

**Dielectric Withstanding Voltage:** 1500 VRMS at Sea Level 500 VRMS at 80,000 ft.

**Vibration:** MIL-STD-202, Method 204 Test Condition G

**Shock:** MIL-STD-202, Method 213 Test Condition C

## Materials

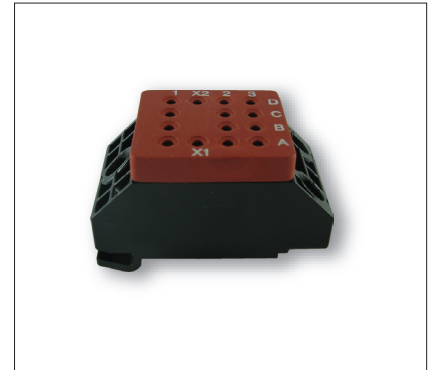
**Socket Body:** Polyetherimide per ASTM-D5205

**Grommet:** Silicone Rubber per A-A-59588

**Hardware:** Stainless Steel or Steel w/Cadmium Chromate Finish

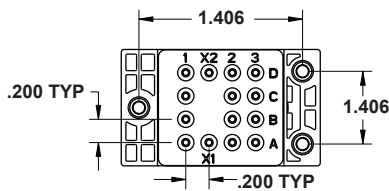
**Contact Retainers:** Stainless Steel

**Socket Contacts:** Copper Alloy, Hard Gold Finish per SAE-AMS-2422

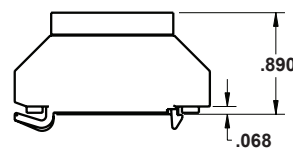


**Replaces MIL-PRF-12883/40**  
**Mates with M83536, M83726 & MS27709**  
**Relays**

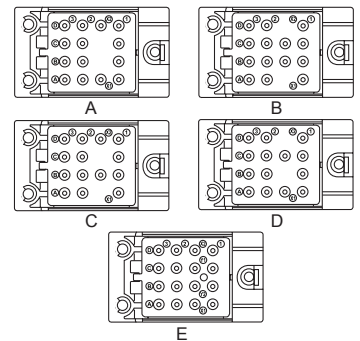
## Dimensions



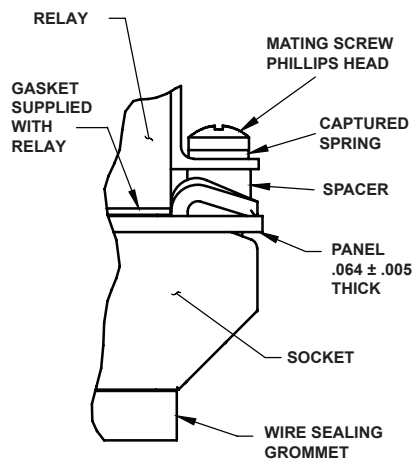
Top View



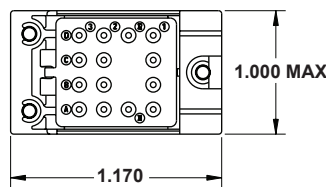
Side View



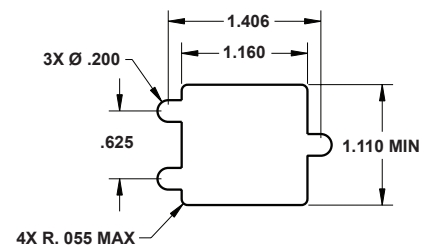
Socket Configurations



Mounting Hardware



Bottom View



Required Mounting Panel Cutout

QUICK-MOUNT RELAY SOCKET					
APCD P/N	QTY	Size <sup>1</sup>	Contact P/N	Config.	Mating Relay
JRS400100	14	16/16	/92-533	A	M83536, M83726, MS27709
JRS400200	14	16/16	/92-533	B	M83536, M83726, MS27709
JRS400300	14	16/16	/92-533	C	M83536, M83726, MS27709
JRS400400	14	16/16	/92-533	D	M83536, M83726, MS27709
JRS400500	16	16/16	/92-533	E	M83536, M83726, MS27709

<sup>1</sup> Mating End/Wire Barrel



**Replaces MIL-PRF-12883/47-01, 04; /47-01, 05 Mates with M83536, M6106 Relays**

### Operating Range

**Temperature:** -65°C to 125°C

**Insulation Resistance:** 1000 Megaohms Min.

**Dielectric Withstanding Voltage:** 1500 VRMS at Sea Level 500 VRMS at 80,000 ft.

**Vibration:** MIL-STD-202, Method 204 Test Condition G

**Shock:** MIL-STD-202, Method 213 Test Condition C

### Materials

**Socket Body:** Polyetherimide per ASTM-D5205

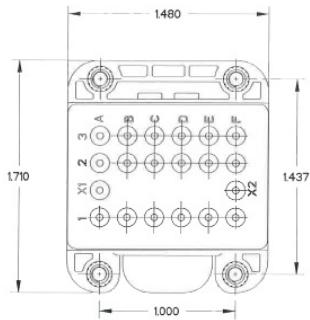
**Grommet:** Silicone Rubber per A-A-59588

**Hardware:** Stainless Steel or Steel w/Cadmium Chromate Finish

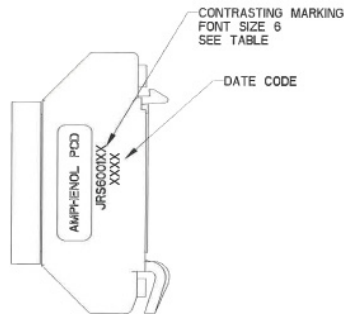
**Contact Retainers:** Stainless Steel

**Socket Contacts:** Copper Alloy, Hard Gold Finish per SAE-AMS-2422

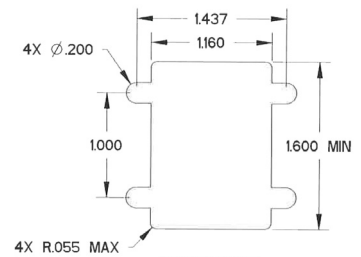
### Dimensions



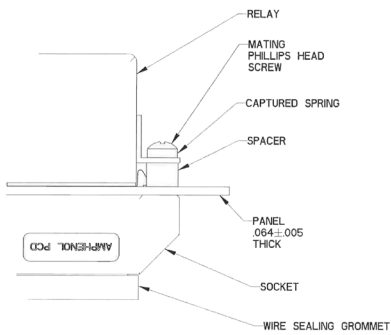
Top View



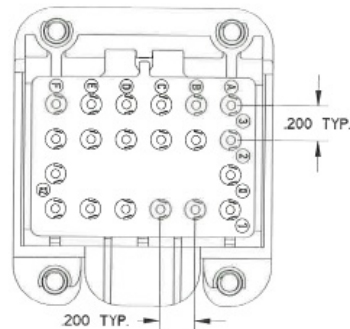
Side View



Recommended Panel Cut-Out



Mounting Hardware



Bottom View

QUICK-MOUNT RELAY SOCKET				
APCD P/N	QTY	Size <sup>1</sup>	Contact P/N	Mating Relay
JRS600100	20	16/16	/92-533	M83536, M6106
JRS600200	20	16/16	/92-533	M83536, M6106

1. Mating End/Wire Barrel

# JRE 2 Pole / 5 Amp / Size 20

Quick-Mount Relay Sockets

## Operating Range

**Temperature:** -65°C to 125°C

**Insulation Resistance:** 1000 Megaohms Min.

**Dielectric Withstanding Voltage:** 1500 VRMS at Sea Level 500 VRMS at 80,000 ft.

**Vibration:** MIL-STD-202, Method 204 Test Condition G

**Shock:** MIL-STD-202, Method 213 Test Condition C

## Materials

**Socket Body:** Polyetherimide per ASTM-D5205

**Grommet:** Silicone Rubber per A-A-59588

**Hardware:** Stainless Steel or Steel w/Cadmium Chromate Finish

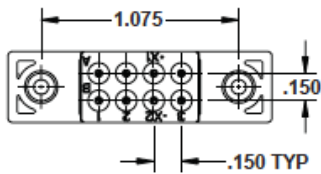
**Contact Retainers:** Stainless Steel

**Socket Contacts:** Copper Alloy, Hard Gold Finish per SAE-AMS-2422

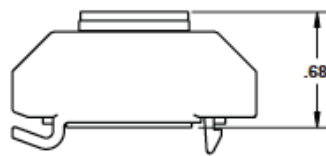


**Replaces MIL-PRF-12883/41**  
**Mates with M6106 & M83536 Relays**

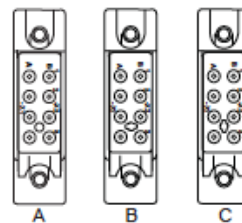
## Dimensions



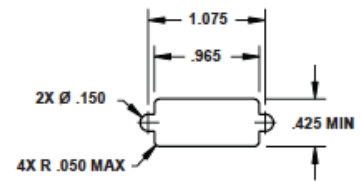
Top View



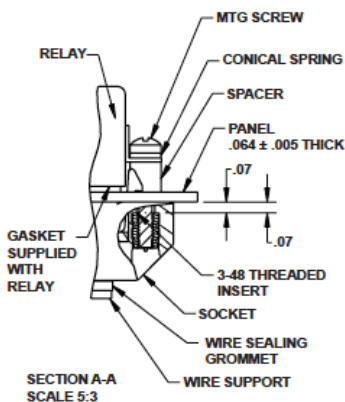
Side View



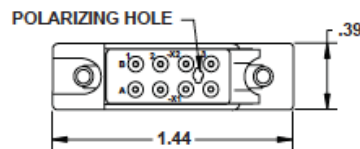
Socket Configurations



Required Mounting Panel Cutout



Mounting Hardware



Bottom View

RELAY SOCKET WEIGHT		
Relay Socket	Ounces	Grams
Extended Height	0.02	5.81

PART NUMBER INFORMATION		
APCD P/N	Hardware	Contacts
JRE200100	None	None
JRE200101	None	Yes
JRE200110	Yes	None
JRE200111	Yes	Yes

QUICK-MOUNT RELAY SOCKET					
APCD P/N	QTY	Size <sup>1</sup>	Contact P/N	Config.	Mating Relay
JRE200100	8	20/20	/101-553	A	M83536, M6106
JRE200200	8	20/20	/101-553	B	M83536, M6106
JRE200300	8	20/20	/101-553	C	M83536, M6106

<sup>1</sup> Mating End/Wire Barrel



**Replaces MIL-PRF-12883/44**  
**Mates with M83536 Relays**

### Operating Range

**Temperature:** -65°C to 125°C

**Insulation Resistance:** 1000 Megaohms Min.

**Dielectric Withstanding Voltage:** 1500 VRMS at Sea Level 500 VRMS at 80,000 ft.

**Vibration:** MIL-STD-202, Method 204 Test Condition G

**Shock:** MIL-STD-202, Method 213 Test Condition C

### Materials

**Socket Body:** Polyetherimide per ASTM-D5205

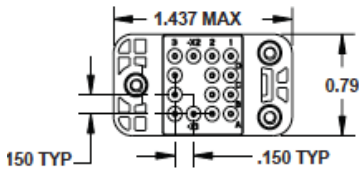
**Grommet:** Silicone Rubber per A-A-59588

**Hardware:** Stainless Steel or Steel w/Cadmium Chromate Finish

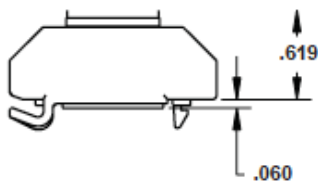
**Contact Retainers:** Stainless Steel

**Socket Contacts:** Copper Alloy, Hard Gold Finish per SAE-AMS-2422

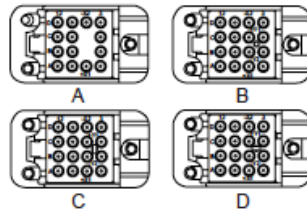
### Dimensions



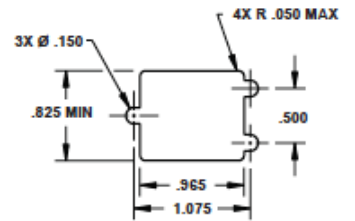
Top View



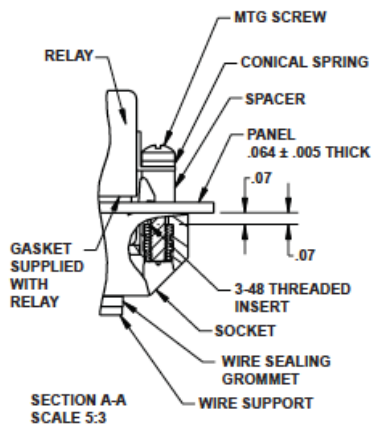
Side View



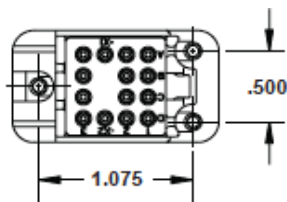
Socket Configurations



Required Mounting Panel Cutout



Mounting Hardware



Bottom View

RELAY SOCKET WEIGHT		
Relay Socket	Ounces	Grams
Low Profile	0.38	10.9

PART NUMBER INFORMATION		
APCD P/N	Hardware	Contacts
JRE400100	None	None
JRE400101	None	Yes
JRE400110	Yes	None
JRE400111	Yes	Yes

QUICK-MOUNT RELAY SOCKET					
APCD P/N	QTY	Size <sup>1</sup>	Contact P/N	Config.	Mating Relay
JRE400100	8	20/20	/101-553	A	M83536/2-028, M83726/27, /25
JRE400200	16	20/20	/101-553	B	M83536/6-025
JRE400300	16	20/20	/101-553	C	M83536/22-025
JRE400400	16	20/20	/101-553	D	M83536/5, M83536/6, M83536/7

1. Mating End/Wire Barrel



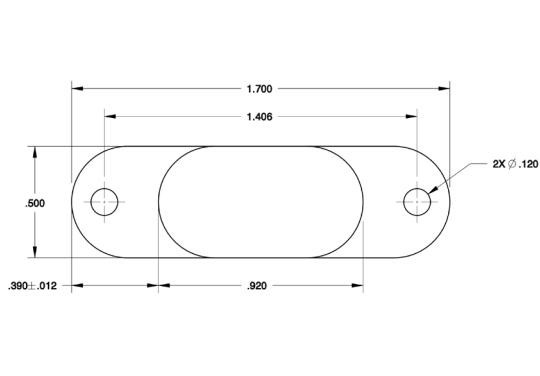
## RSN200000 Materials

**Plate:** Aluminum 6061-T6, Black Anodized

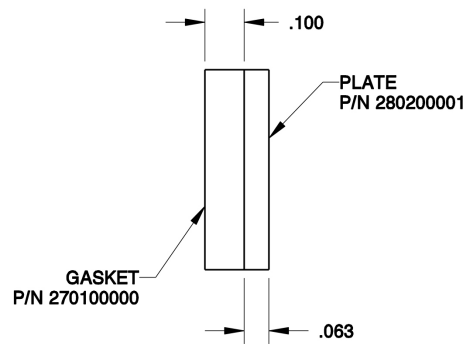
**Gasket:** Silicone Blend Elastomer, 60 Durometer, Shore A.



## Dimensions



Top View



Side View

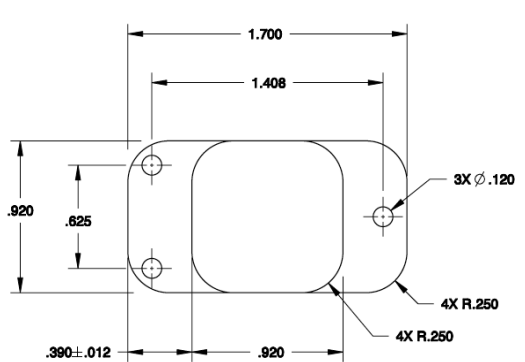
## RSN300000 Materials

**Plate:** Aluminum 6061-T6, Black Anodized

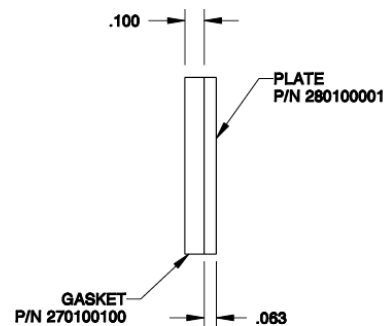
**Gasket:** Silicone Blend Elastomer, 60 Durometer, Shore A.



## Dimensions



Top View



Side View

## **Amphenol Pcd**

Amphenol Pcd, a subsidiary of Amphenol Corporation, is one of the world's leading suppliers of interconnect products for Military, Commercial Aerospace and Industrial applications. Located north of Boston in Beverly, Massachusetts, the company designs and manufactures a wide range of products - System Attachments, Junction Modules, Relay Sockets, Terminal Blocks, Rectangular & Circular connectors, and Cable Assemblies & Adapters.

Each product is made and engineered with the highest quality standards in the industry. With facilities in North America and Asia, Amphenol Pcd products are chosen by hundreds of OEMs around the world, reliant on Amphenol's technical excellence, global network of distributors, and cost-effective solutions for custom systems.

# Amphenol Pcd

Connecting People & Technology

Notice: Specifications are subject to change without notice. Contact your nearest Amphenol Corporation Sales Office for the latest specifications. All statements, information and data given herein are believed to be accurate and reliable, but are presented without guarantee, warranty, or responsibility of any kind expressed or implied. Statements or suggestions concerning possible use of our products are made without representation or warranty that any such use is free of patent infringement and are not recommendations to infringe any patent. The user should not assume that all safety measures are indicated or that other measures may not be required. Specifications are typical and may not apply to all connectors.

© 2017 Amphenol Pcd