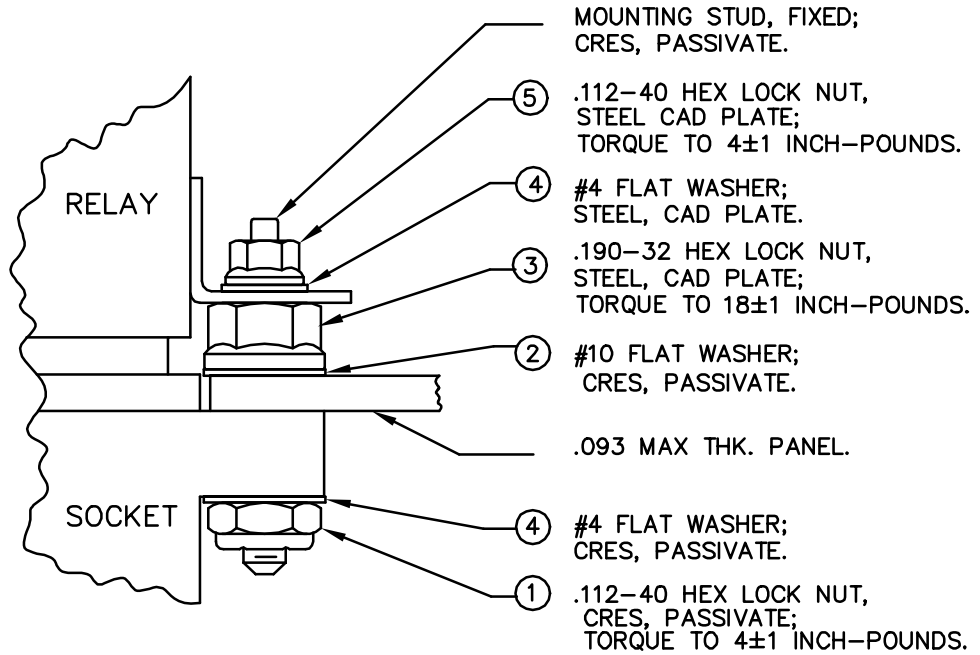
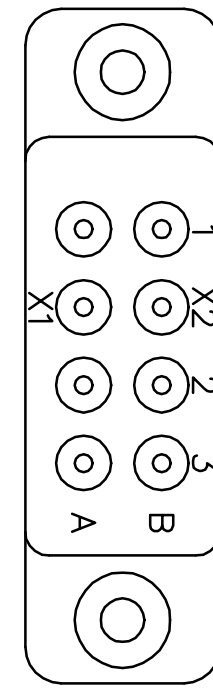
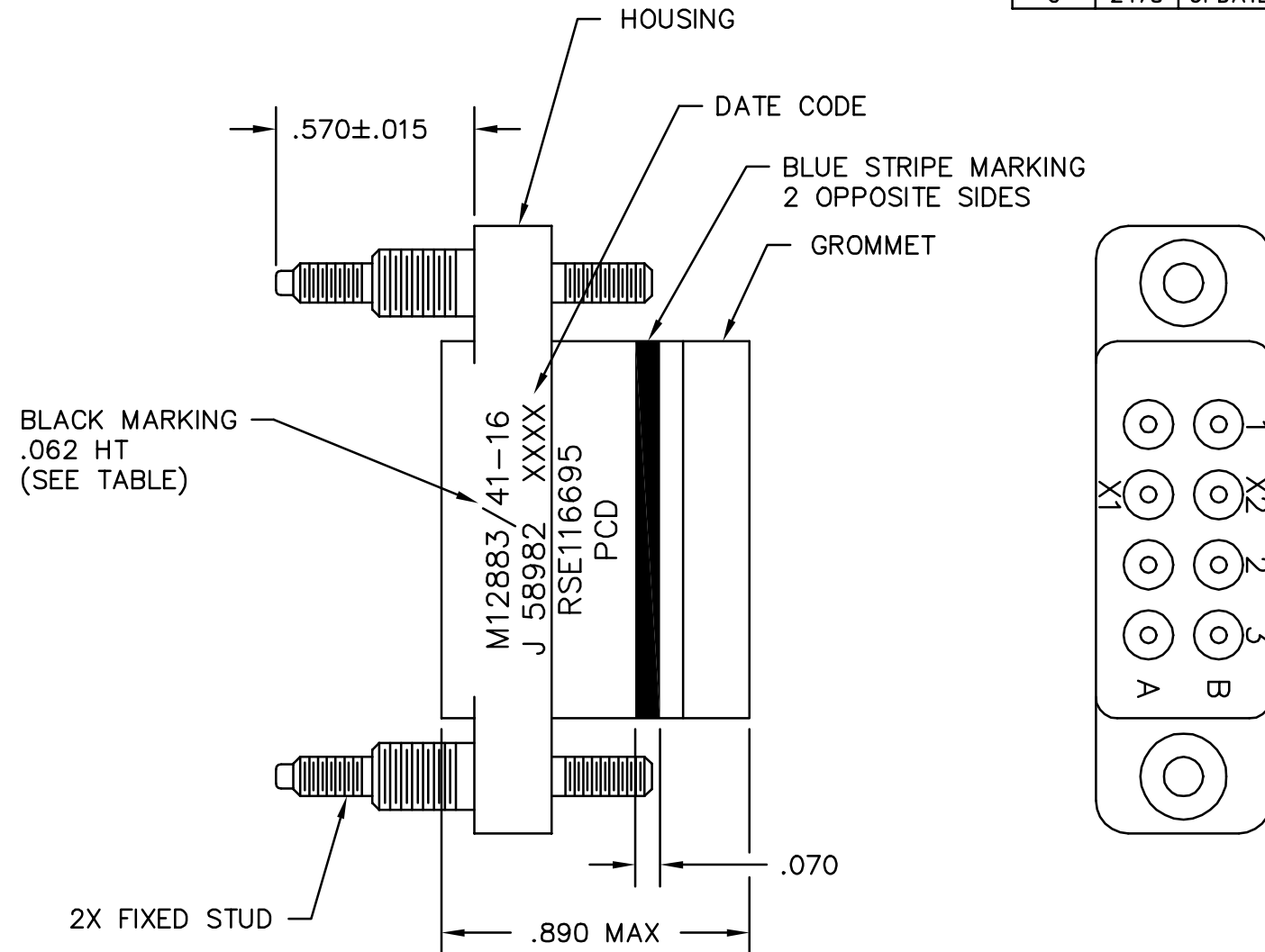
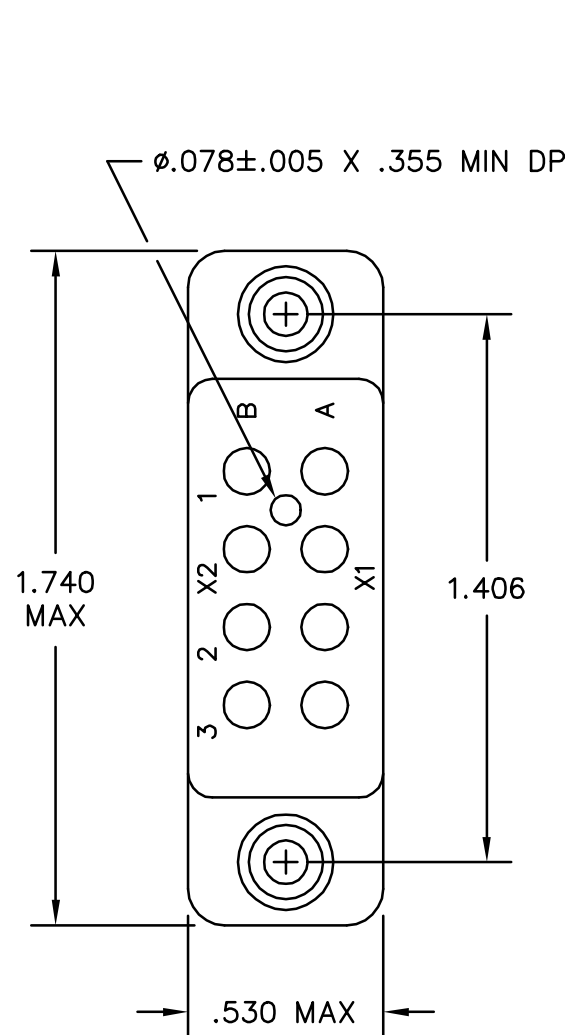


REV	ECN	DESCRIPTION	APP'D
G	2478	UPDATE FORMAT; REVISE MARKING	



ITEM	REQ'D	P/N	DESCRIPTION
1	2	200002701	.112-40 UNC-2A HEX LOCK NUT; CRES, PASSIVATE
2	2	200002901	#10 FLAT WASHER; CRES, PASSIVATE
3	2	200002501	.190-32 UNF-2A HEX LOCK NUT; STEEL, CAD PLATE
4	4	200000410	#4 FLAT WASHER; STEEL, CAD PLATE
5	2	200003801	.112-40 UNC-2A HEX LOCK NUT; STEEL, CAD PLATE

PART NO.	CONTACTS SUPPLIED	MARKING
RSE116694	NONE	RSE116695
RSE116695	(8) SIZE 16/16	

DIMENSIONS ANSI Y14.5M UNITS: INCHES CRITICAL: ◆	TOLERANCES .XX ± .XXX ±.010 ANGLES ±2°	PROJECTION 	REFERENCE SPECIFICATION M12883/41-16			TITLE RELAY SOCKET (8) SIZE 16
			DRWN M. CALLA 7/23/93	ENGR M. CALLA 7/23/93		
ORIGINAL NOT FOR CUSTOMER DISTRIBUTION	THIS DOCUMENT CONTAINS PROPRIETARY INFORMATION WHICH IS THE CONFIDENTIAL PROPERTY OF PCD, INC. PEABODY, MA, USA		APPD D. SWAFFIELD 7/27/93	CODE: 58982	SCALE: 2X	SHEET 1 OF 1

**MOUNTING HARDWARE (SUPPLIED W/RSE116695)**  
 INSTALLATION SEQUENCE BY ITEM NUMBER  
 SEE TABLE  
 TYP 2 PLACES

RSE116694

RSE116694