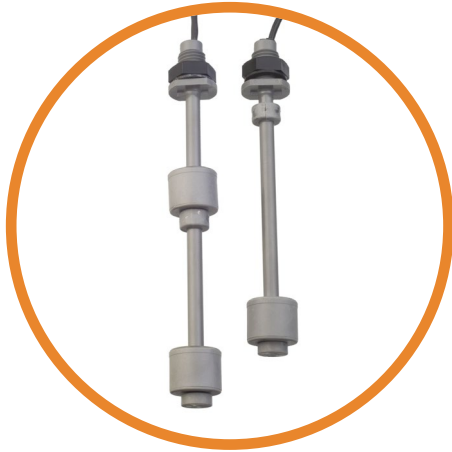




## | RSF66 SERIES

### DUAL SWITCH POINT SERIES



The RSF66 float switch series is designed to offer a number of switching options to meet a variety of system requirements.

These are manufactured in PPS (Polyphenylene Sulphide), which is compatible with a wide range of liquids.

The single float types are generally used in systems with PLC control of processes.

The dual float versions can be used for controlling the filling or emptying of tanks via electromechanical relays.

### Features

- High & Low level switching
- PPS material
- Versions for Filling or Emptying Control
- Many variants are UL recognised components File No. E171218
- WRAS and NSF Approved



### TECHNICAL SPECIFICATIONS

(Common to both Single and Double Float versions)

#### Mechanical

<b>Material</b>	PPS	
<b>Colour</b>	Grey	
<b>Temp. Range</b>	°C	-10/+85
	°F	+14/+185
<b>Minimum Liquid SG</b>	0.85	
<b>Standard Cable Length</b>	100cm	

#### Electrical

<b>Switching Power VA Max</b>	25
<b>Switching Voltage AC Max</b>	240
<b>Switching Voltage DC Max</b>	120
<b>Switching Current Max A</b>	0.6

All electrical ratings are for resistive loads only.



### STANDARD PARTS

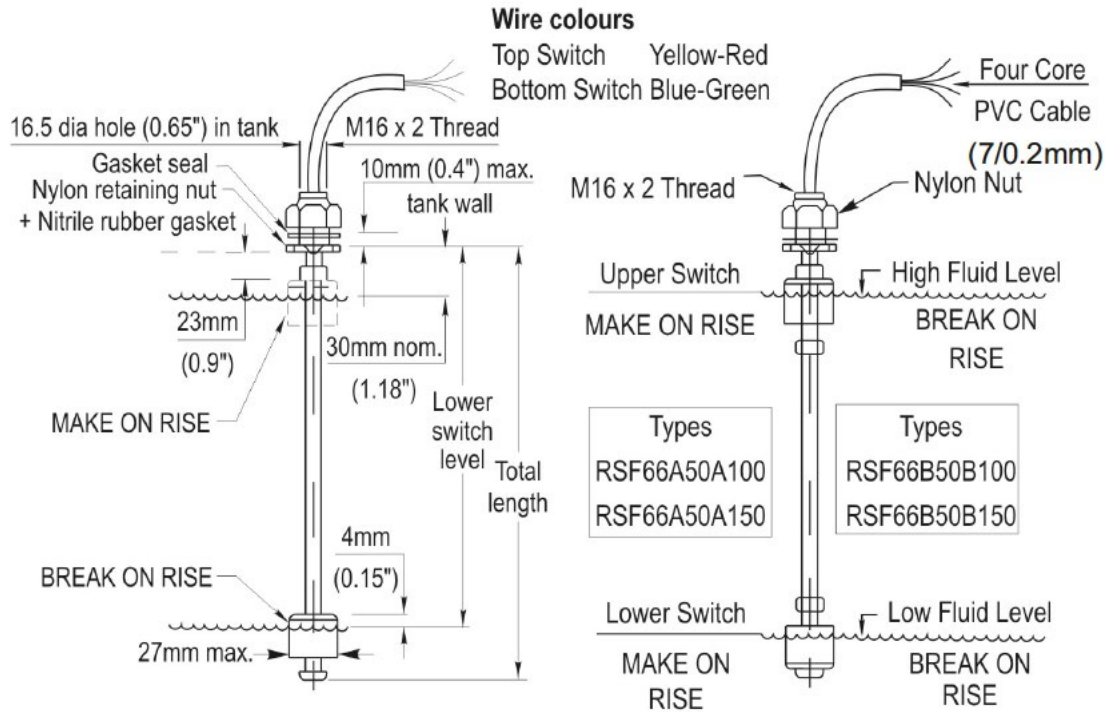
Single Float Versions	Upper Switch Level	Lower Switch Level	Total Length
<b>RSF66A25B75</b>	30mm	75mm	102mm
<b>RSF66A25B100</b>	30mm	100mm	127mm
<b>RSF66A25B125</b>	30mm	125mm	152mm
<b>RSF66A25B150</b>	30mm	150mm	177mm
<b>RSF66A25B175</b>	30mm	175mm	202mm

Dual Float Versions		Upper Switch Level	Lower Switch Level	Total Length
<b>RSF66A50A100</b>	Emptying Control	50mm	100mm	134mm
<b>RSF66A50A150</b>	Emptying Control	50mm	150mm	184mm
<b>RSF66B50B100</b>	Filling Control	50mm	100mm	127mm
<b>RSF66B50B150</b>	Filling Control	50mm	150mm	177mm

Custom versions can be made for particular applications. Please contact Sensata with your requirements.

## DIMENSIONS

All dimensions are in millimeters.



Made in the UK

Page 2

Sensata Technologies, Inc. ("Sensata") data sheets are solely intended to assist designers ("Buyers") who are developing systems that incorporate Sensata products (also referred to herein as "components"). Buyer understands and agrees that Buyer remains responsible for using its independent analysis, evaluation and judgment in designing Buyer's systems and products. Sensata data sheets have been created using standard laboratory conditions and engineering practices. Sensata has not conducted any testing other than that specifically described in the published documentation for a particular data sheet. Sensata may make corrections, enhancements, improvements and other changes to its data sheets or components without notice.

Buyers are authorized to use Sensata data sheets with the Sensata component(s) identified in each particular data sheet. HOWEVER, NO OTHER LICENSE, EXPRESS OR IMPLIED, BY ESTOPPEL OR OTHERWISE TO ANY OTHER SENSATA INTELLECTUAL PROPERTY RIGHT, AND NO LICENSE TO ANY THIRD PARTY TECHNOLOGY OR INTELLECTUAL PROPERTY RIGHT, IS GRANTED HEREIN. SENSATA DATA SHEETS ARE PROVIDED "AS IS". SENSATA MAKES NO WARRANTIES OR REPRESENTATIONS WITH REGARD TO THE DATA SHEETS OR USE OF THE DATA SHEETS, EXPRESS, IMPLIED OR STATUTORY, INCLUDING ACCURACY OR COMPLETENESS. SENSATA DISCLAIMS ANY WARRANTY OF TITLE AND ANY IMPLIED WARRANTIES OF MERCHANTABILITY, FITNESS FOR A PARTICULAR PURPOSE, QUIET ENJOYMENT, QUIET POSSESSION, AND NON-INFRINGEMENT OF ANY THIRD PARTY INTELLECTUAL PROPERTY RIGHTS WITH REGARD TO SENSATA DATA SHEETS OR USE THEREOF.

All products are sold subject to Sensata's terms and conditions of sale supplied at [www.sensata.com](http://www.sensata.com) SENSATA ASSUMES NO LIABILITY FOR APPLICATIONS ASSISTANCE OR THE DESIGN OF BUYERS' PRODUCTS. BUYER ACKNOWLEDGES AND AGREES THAT IT IS SOLELY RESPONSIBLE FOR COMPLIANCE WITH ALL LEGAL, REGULATORY AND SAFETY-RELATED REQUIREMENTS CONCERNING ITS PRODUCTS, AND ANY USE OF SENSATA COMPONENTS IN ITS APPLICATIONS, NOTWITHSTANDING ANY APPLICATIONS-RELATED INFORMATION OR SUPPORT THAT MAY BE PROVIDED BY SENSATA.

Mailing Address: Sensata Technologies, Inc., 529 Pleasant Street, Attleboro, MA 02703, USA.

## CONTACT US

+44 (0)1202 897969  
 c3w\_sales@sensata.com  
 Cynergy3 Components Ltd.  
 7 Cobham Road,  
 Ferndown Industrial Estate,  
 Wimborne, Dorset,  
 BH21 7PE, United Kingdom