



PDS-240-1

R-SATA CONNECTORS

The new (Rugged) R-SATA style connector can be used as the primary internal storage interconnect for desktop and mobile PCs, connecting the system to peripherals such as hard drives, solid state drives, optical drives, and removable magnetic media drives.

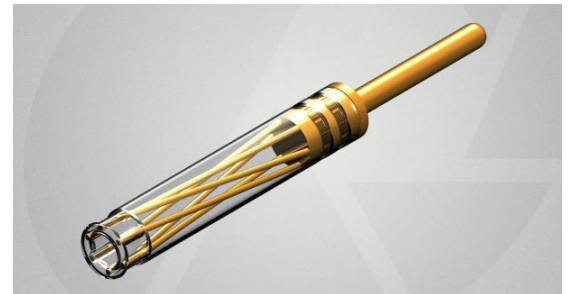
The R-SATA supports SATA 3.0 protocol, delivering 6.25 Gb/s data rates & beyond. Amphenol's R-SATA connector utilizes a Micro-Hyperboloid contact with proven performance. The Micro-Hyperboloid contact system offers low insertion and extraction forces, high durability counts and is resistant to shock, vibration and fretting corrosion.

Features & Benefits

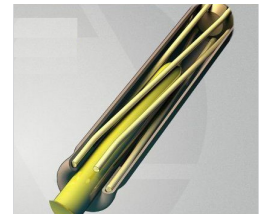
- Ruggedized SATA style
- Rugged Micro-Hyperboloid contacts
- Seven pin SATA contact arrangements (two differential pairs, 3 ground)
- Low insertion/extraction force
- 20K mating cycles
- Resistant to shock, vibration & fretting corrosion
- Supports SATA 3.0 protocol (6.25 Gb/s) & beyond

Application Flexibility

- Four body styles
 - Right Angle Plug - Daughterboard
 - Straight Receptacle - Motherboard
 - Right Angle Receptacle - PC
 - Straight Plug - Parallel Boards



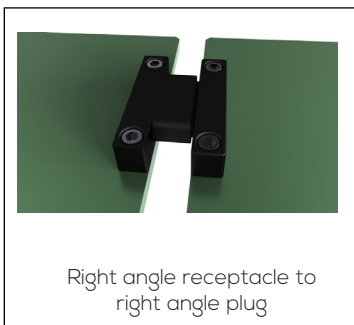
Micro-Hyperboloid
Socket Contact



Cross Section -
Mated View

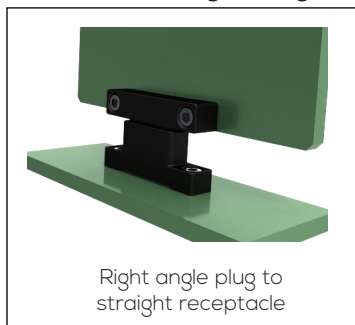
Four Possible Mated Configurations

End to End Boards



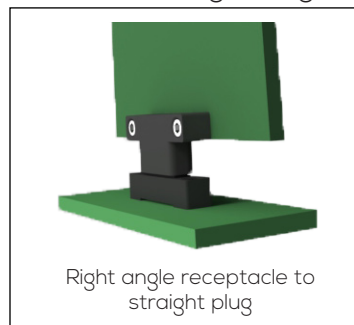
Right angle receptacle to
right angle plug

Boards at Right Angle



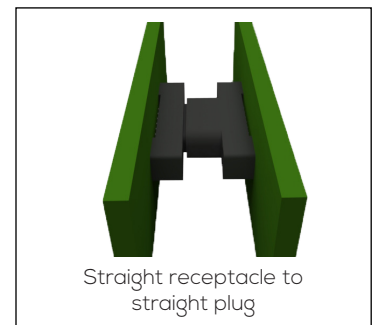
Right angle plug to
straight receptacle

Boards at Right Angle

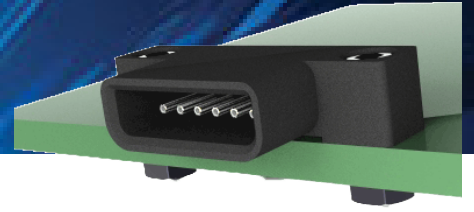


Right angle receptacle to
straight plug

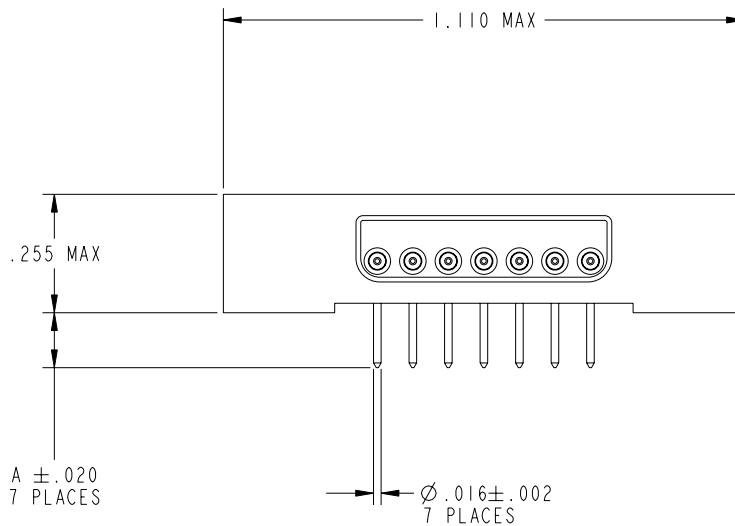
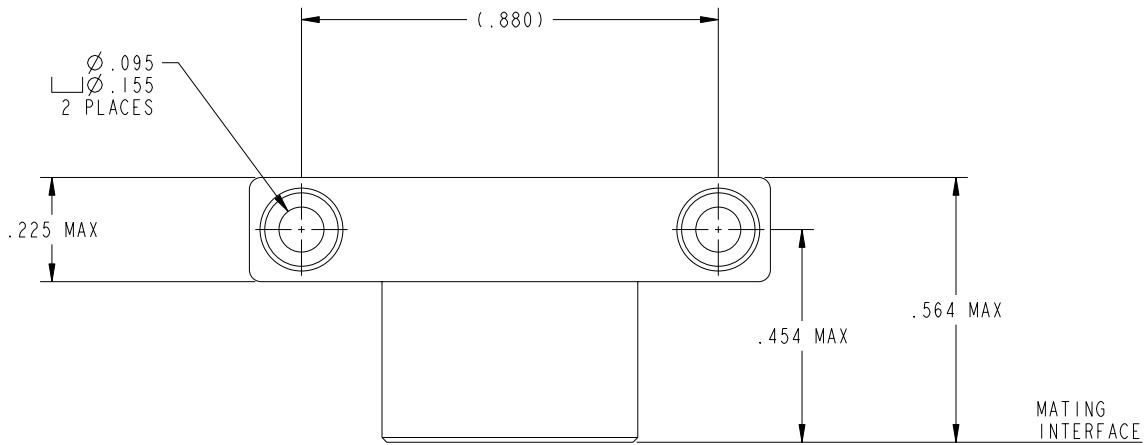
Parallel Boards

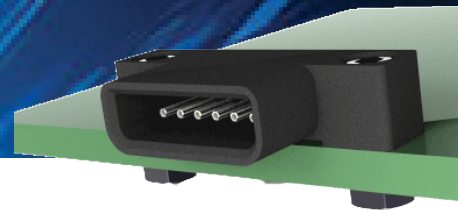


Straight receptacle to
straight plug



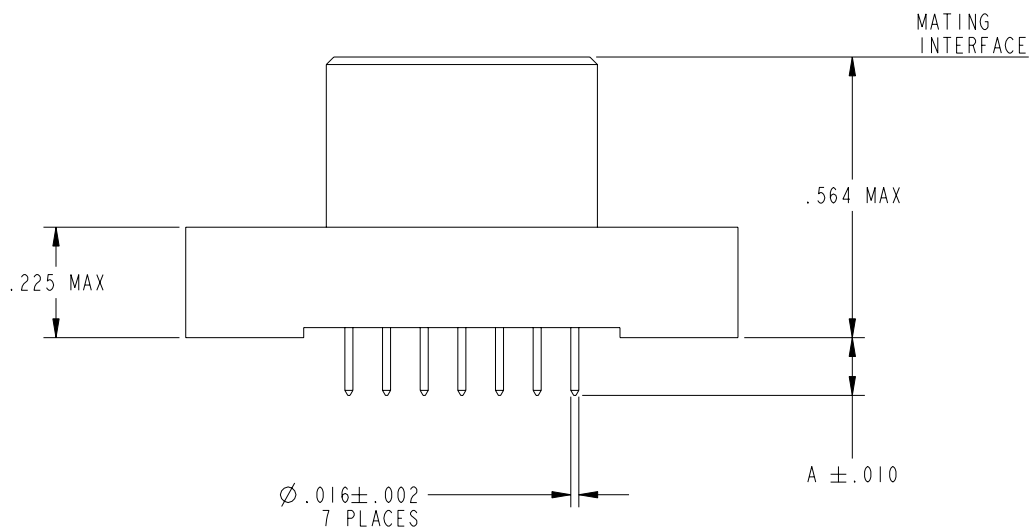
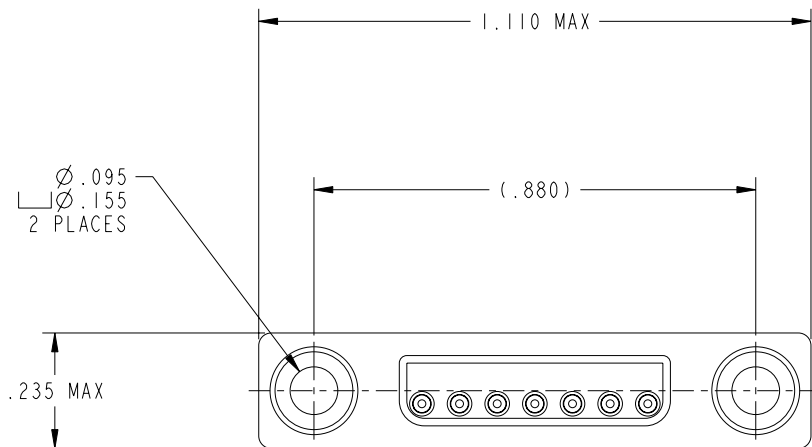
Right Angle Plug

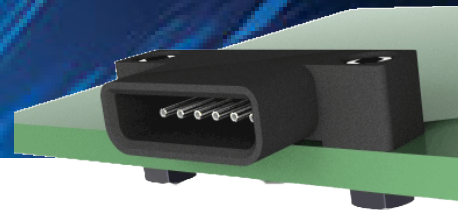




PDS-240-1

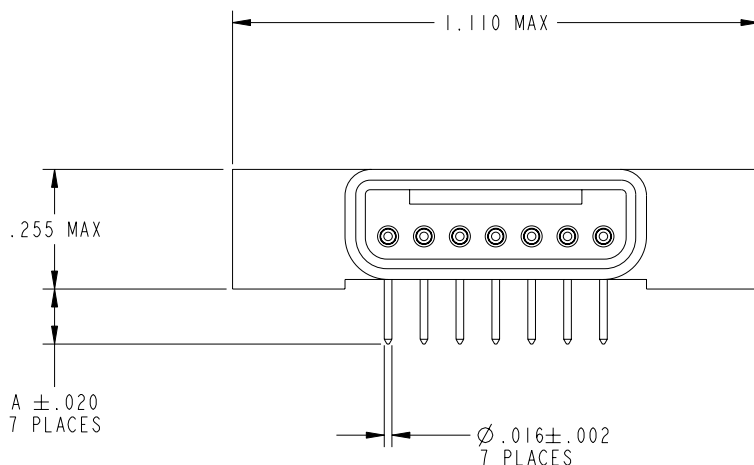
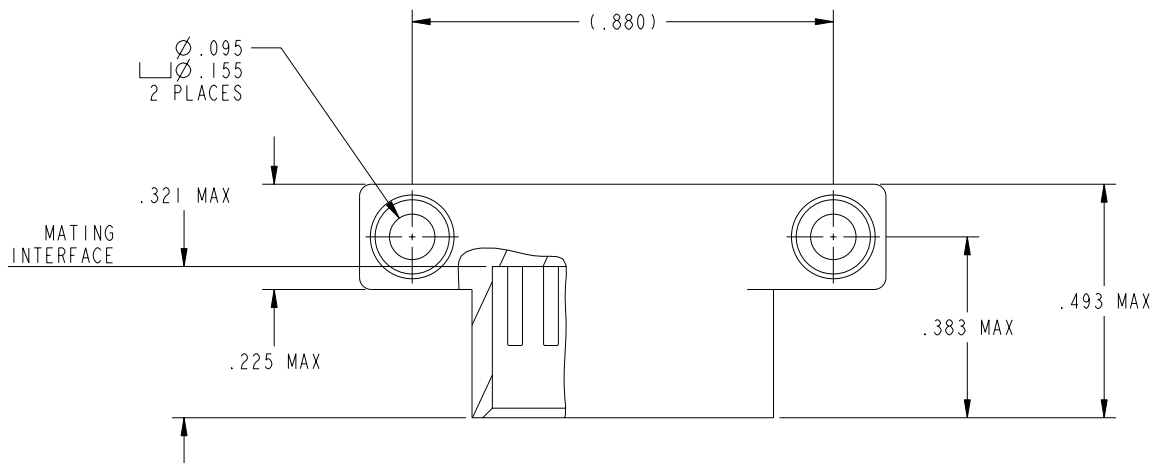
Straight Plug

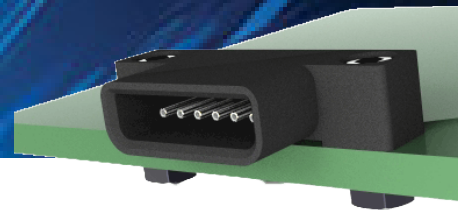




PDS-240-1

Right Angle Receptacle





PDS-240-1

Straight Receptacle

