



R-SATA CONNECTORS

The new (Rugged) R-SATA style connector can be used as the primary internal storage interconnect for desktop and mobile PCs, connecting the system to peripherals such as hard drives, solid state drives, optical drives, and removable magnetic media drives.

The R-SATA supports SATA 3.0 protocol, delivering 6.25 Gb/s data rates & beyond. Amphenol's R-SATA connector utilizes a Micro-Hyperboloid contact with proven performance. The Micro-Hyperboloid contact system offers low insertion and extraction forces, high durability counts and is resistant to shock, vibration and fretting corrosion.

Features & Benefits

- Ruggedized SATA style
- Rugged Micro-Hyperboloid contacts
- Seven pin SATA contact arrangements (two differential pairs, 3 ground)
- Low insertion/extraction force
- 20K mating cycles
- Resistant to shock, vibration & fretting corrosion
- Supports SATA 3.0 protocol (6.25 Gb/s) & beyond

Application Flexibility

- Four body styles
 - Right Angle Plug - Daughterboard
 - Straight Receptacle - Motherboard
 - Right Angle Receptacle - PC
 - Straight Plug - Parallel Boards



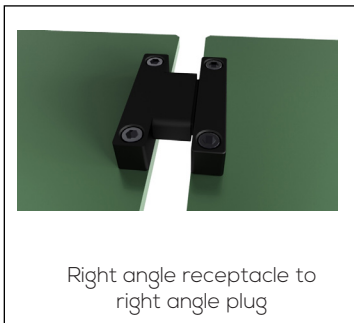
Micro-Hyperboloid
Socket Contact



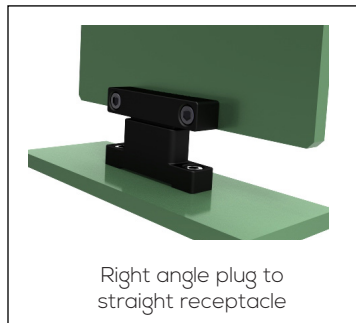
Cross Section -
Mated View

Four Possible Mated Configurations

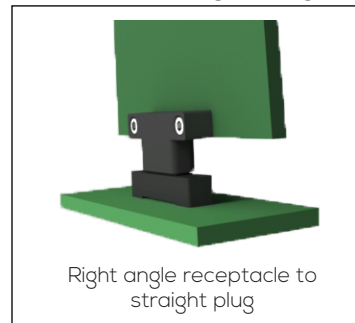
End to End Boards



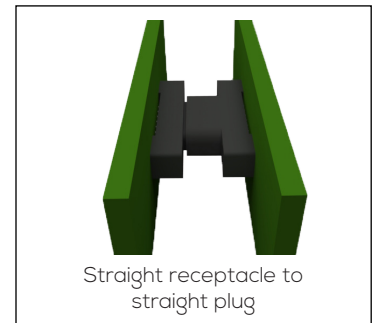
Boards at Right Angle

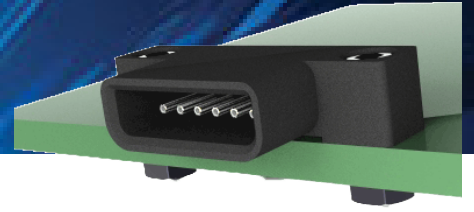


Boards at Right Angle

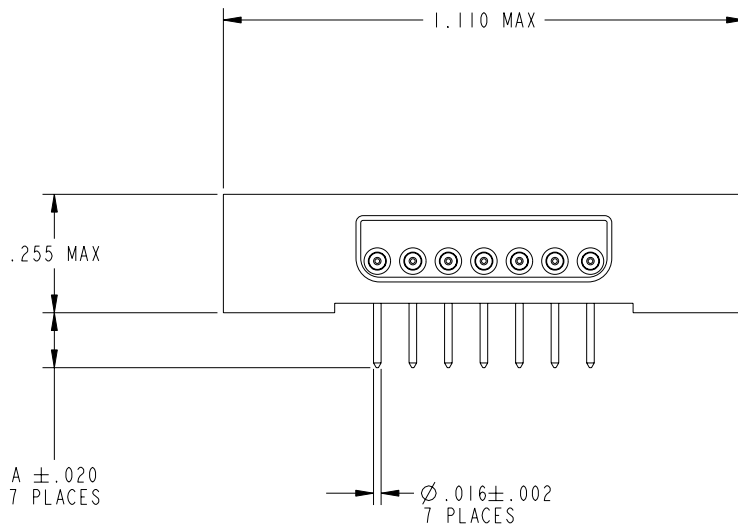
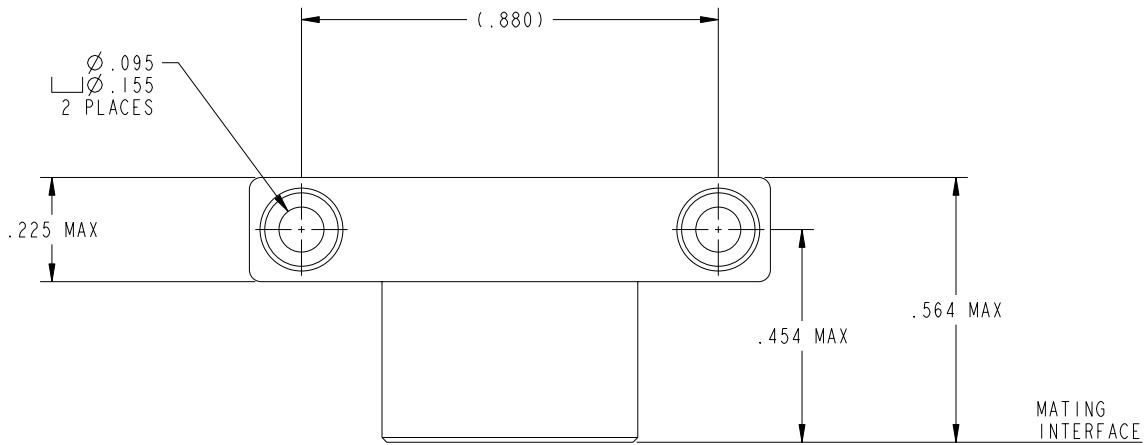


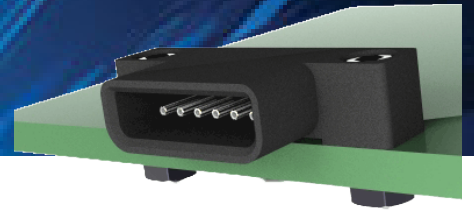
Parallel Boards



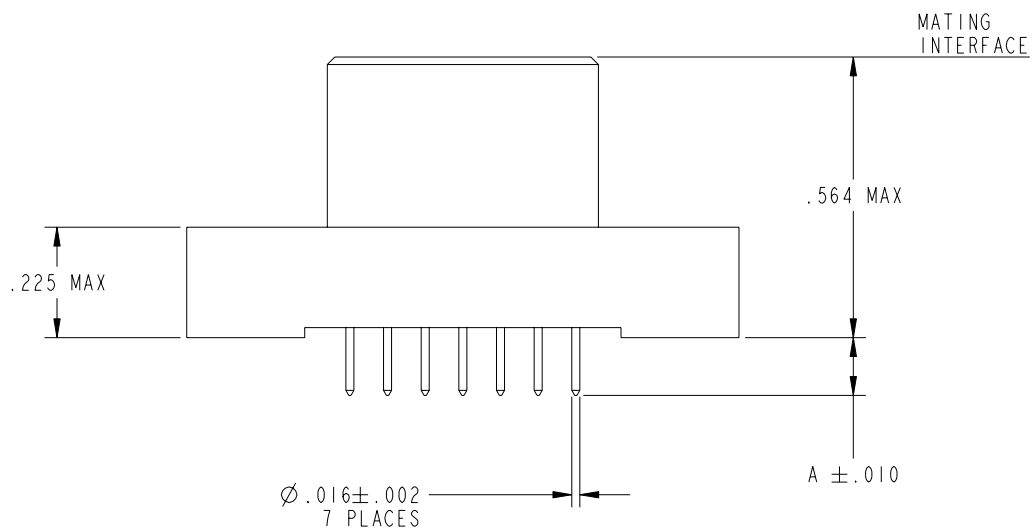
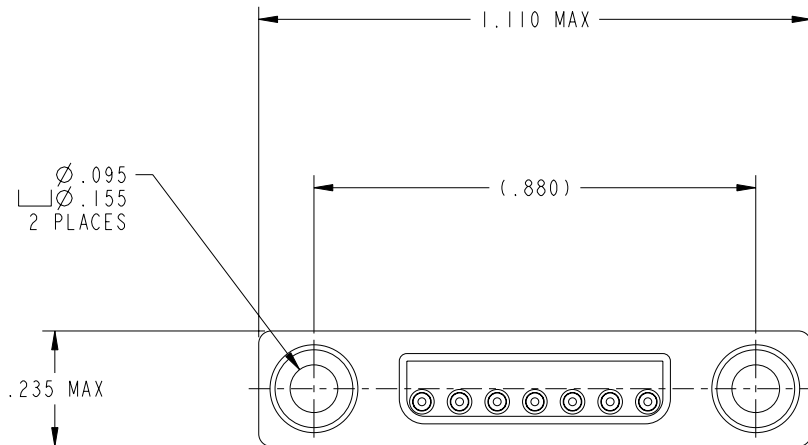


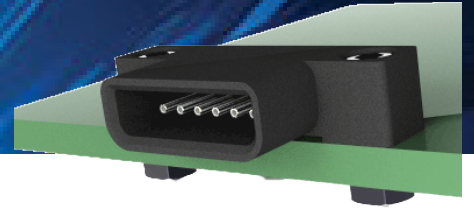
Right Angle Plug





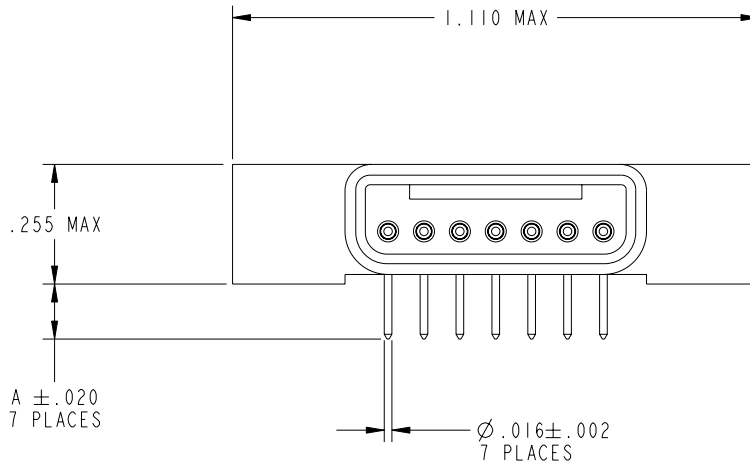
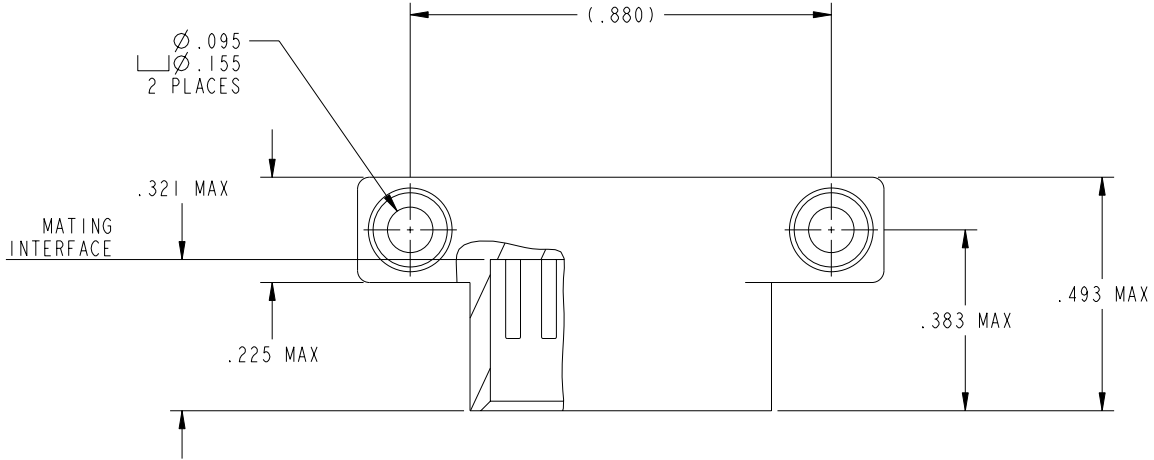
Straight Plug

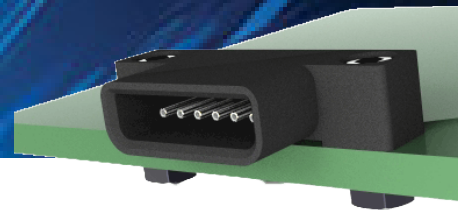




PDS-240-1

Right Angle Receptacle





PDS-240-1

Straight Receptacle

