

## Ultra-Low Quiescent Current HCOT Buck Converter

### General Description

The RT5707/A is a high efficiency synchronous step-down converter featuring typ. 360nA quiescent current. It provides high efficiency at light load down to 10mA. Its input voltage range is from 2.2V to 5.5V. The RT5707 provides eight programmable output voltage 1.2V to 3.3V while delivering output current up to 600mA, peak to 1A. The RT5707A provides eight programmable output voltage 0.7V to 3.1V while delivering output current up to 400mA, peak to 0.5A.

The Hysteretic Constant-On-Time (HCOT) operation with internal compensation allow the transient response to be optimized over a wide range of loads and output capacitors.

The RT5707/A is available in WL-CSP-8B 0.9x1.6 (BSC) package.

### Features

- Input Voltage Range : 2.2V to 5.5V
- Programmable Output Voltage 8-Level
  - RT5707 1.2V to 3.3V
  - RT5707A 0.7V to 3.1V
- Typ. 360nA Quiescent Current
- PSM Operation
- Up to 94% Efficiency
- Internal Compensation
- Output Voltage Discharge
- Over-Current Protection
- Over-Temperature Protection
- Output Current
  - RT5707 600mA, Peak to 1A
  - RT5707A 400mA, Peak to 0.5A
- Automatic Transition to 100% Duty Cycle Operation

### Ordering Information

RT5707/A □  
 Package Type  
 WSC : WL-CSP-8B 0.9x1.6 (BSC)

Note :

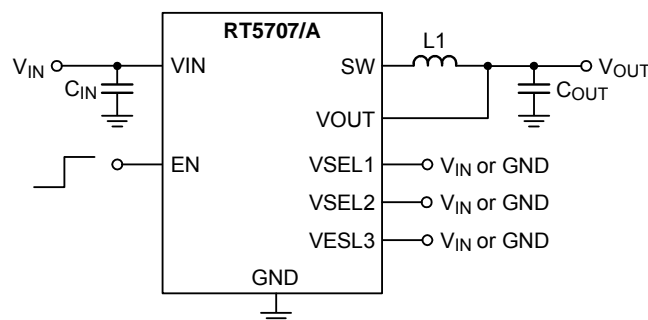
Richtek products are :

- RoHS compliant and compatible with the current requirements of IPC/JEDEC J-STD-020.
- Suitable for use in SnPb or Pb-free soldering processes.

### Applications

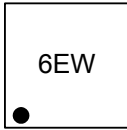
- Hand-Held Devices
- Portable Information
- Battery Powered Equipment
- Wearable Devices
- Internet of Things
- Smart Watch

### Simplified Application Circuit



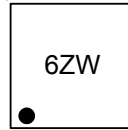
## Marking Information

RT5707WSC



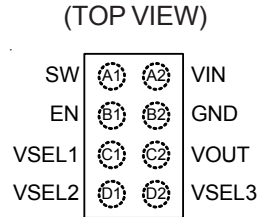
6E : Product Code  
W : Date Code

RT5707AWSC



6Z : Product Code  
W : Date Code

## Pin Configuration

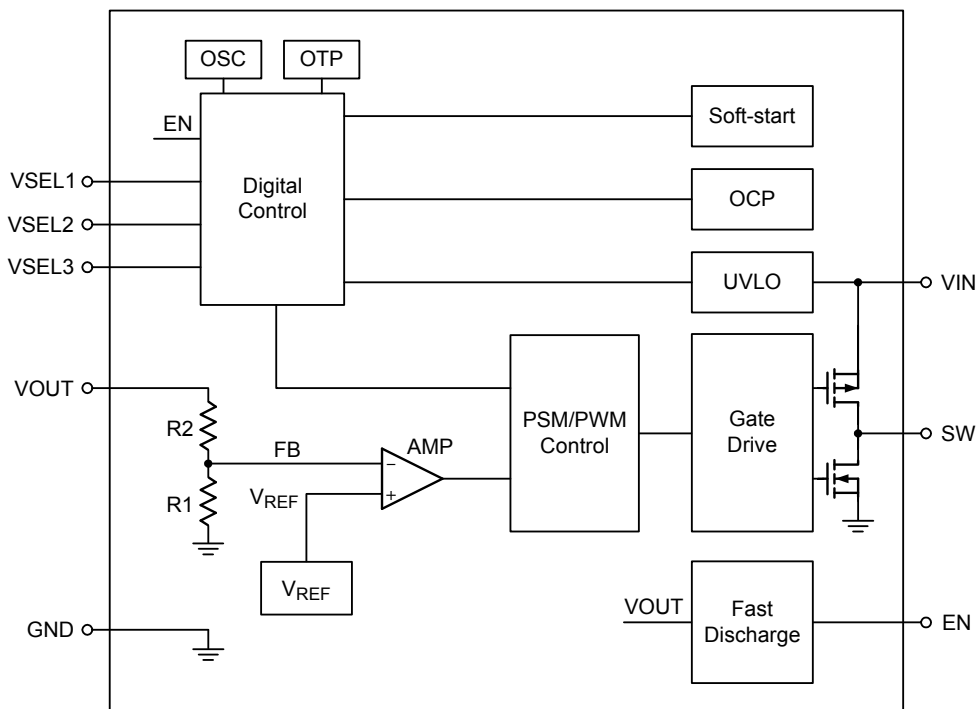


WL-CSP-8B 0.9x1.6 (BSC)

## Functional Pin Description

| Pin No. | Pin Name | Pin Function  |
|---------|----------|---|
| A1      | SW       | This pin is the connection between two build-in switches in the chip, which should be connected to the external inductor. The inductor should be connected to this pin with the shortest path.                                    |
| A2      | VIN      | Supply input. A minimum of 10 $\mu$ F (RT5707) and 4.7 $\mu$ F (RT5707A) ceramic capacitor should be connected to this pin with the shortest path   |
| B1      | EN       | Chip enable input pin. High level voltage enables the device while low level voltage turns the device off. This pin must be terminated.   |
| B2      | GND      | Device ground pin. This pin should be connected to input and output capacitors with the shortest path.  |
| C1      | VSEL1    | Output voltage selection pin. This pin must be terminated.  |
| C2      | VOUT     | Output voltage feedback pin. This pin should be connected close to the output capacitor terminal for better voltage regulation. A minimum of 10 $\mu$ F ceramic capacitor should be connected to this pin with the shortest path. |
| D1      | VSEL2    | Output voltage selection pin. This pin must be terminated.  |
| D2      | VSEL3    | Output voltage selection pin. This pin must be terminated.  |

## Functional Block Diagram



## Operation

The RT5707/A is a hysteretic constant on time (HCOT) switching buck converter. The RT5707/A provides Over-Temperature Protection (OTP) and Over-Current Protection (OCP) mechanisms to prevent the device from damage with abnormal operations. When the EN voltage is logic low, the IC will be shut down with low input supply current less than 1 $\mu$ A.

### Enable

The device can be enabled or disabled by the EN pin. When the EN pin is higher than the threshold of logic-high IC goes to normal operation. EN pin High transfer Low into shutdown mode, the converter stops switching, internal control circuitry is turned off and trigger discharge function. That discharge function will close after count 10ms (typ.). If systems need EN toggle operation that EN turn off time must larger than 100 $\mu$ s for internal circuit reset time.

### UVLO Protection

To protect the chip from operating at insufficient supply voltage, the UVLO is needed. When the input voltage is lower than the UVLO falling threshold voltage, the device will be lockout.

### 100% Duty Cycle Operation

The converter enters 100% duty cycle operation once the input voltage decrease and the difference voltage between input and output is lower than  $V_{TH\_100-}$ . The output voltage follows the input voltage minus the voltage drop across the internal P\_MOSFET and the inductor. Once the input voltage increases and trips the 100% mode exit threshold,  $V_{TH\_100+}$ , the converter backs to normal switching again. See Figure 1.

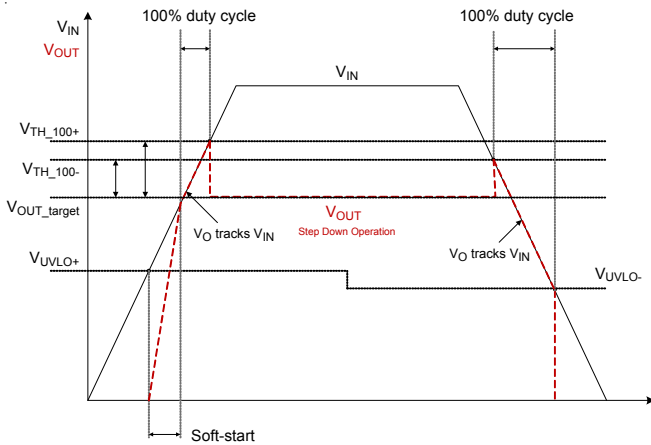


Figure 1. Automatic Transition into 100% Duty Cycle

**Over-Temperature Protection**

When the junction temperature exceeds the OTP threshold value, the IC will shut down the switching operation. Once the junction temperature cools down and is lower than the OTP lower threshold, the converter will automatically resume switching.

**Over-Current Protection**

The OCP function is implemented by UGATE and LGATE. When the inductor current reaches the UGATE current limit threshold, the high-side MOSFET will be turned-off. The low-side MOSFET turns on to discharge the inductor current until the inductor current trips below the LGATE current limit threshold. After UGATE current limit triggered, the max inductor current is decided by the inductor current rising rate and the response delay time of the internal network.

During OCP period, the output voltage drops below the setting threshold (typ. 0.4V) and the current limit value is reduced for lowering the devices loss, reducing the heat and preventing further damage of the chip.

**Output Voltage Selection**

The RT5707/A provides 8 level output voltages which can be programmed via the volatage select pin VSEL1 to VSEL3. Table 1 indicates the setting to individual output voltage.

Table 1. Output Voltage Setting

| Device  | V <sub>OUT</sub> (V) | VSEL3 | VSEL2 | VSEL1 |
|---------|----------------------|-------|-------|-------|
| RT5707  | 1.2                  | 0     | 0     | 0     |
|         | 1.5                  | 0     | 0     | 1     |
|         | 1.8                  | 0     | 1     | 0     |
|         | 2.1*                 | 0     | 1     | 1     |
|         | 2.5                  | 1     | 0     | 0     |
|         | 2.8                  | 1     | 0     | 1     |
|         | 3                    | 1     | 1     | 0     |
|         | 3.3*                 | 1     | 1     | 1     |
| RT5707A | 0.7                  | 0     | 0     | 0     |
|         | 1                    | 0     | 0     | 1     |
|         | 1.3                  | 0     | 1     | 0     |
|         | 1.6*                 | 0     | 1     | 1     |
|         | 1.9                  | 1     | 0     | 0     |
|         | 2                    | 1     | 0     | 1     |
|         | 2.9                  | 1     | 1     | 0     |
|         | 3.1*                 | 1     | 1     | 1     |

\* : To series 100kΩ connected to VSEL1 from EN pin.

**Absolute Maximum Ratings** (Note 1)

- VIN, SW, EN, VSEL1, VSEL2, VSEL3, VOUT ----- -0.3V to 6V
- Power Dissipation, P<sub>D</sub> @ T<sub>A</sub> = 25°C  
 WL-CSP-8B 0.9x1.6 (BSC) ----- 0.84W
- Package Thermal Resistance (Note 2)  
 WL-CSP-8B 0.9x1.6 (BSC), θ<sub>JA</sub> ----- 118.5°C/W
- Lead Temperature (Soldering, 10 sec.) ----- 260°C
- Junction Temperature Range ----- 150°C
- Storage Temperature Range ----- -65°C to 150°C
- ESD Susceptibility (Note 3)  
 HBM (Human Body Model) ----- 2kV

**Recommended Operating Conditions** (Note 4)

- Supply Input Voltage ----- 2.2V to 5.5V
- RT5707 Output Current (5.5V ≥ VIN ≥ (V<sub>OUT\_NOM</sub> + 0.7V) ≥ 3V) ----- 0mA to 600mA
- RT5707A Output Current (5.5V ≥ VIN ≥ (V<sub>OUT\_NOM</sub> + 0.7V) ≥ 3V) ----- 0mA to 400mA
- Junction Temperature Range ----- -40°C to 125°C
- Ambient Temperature Range ----- -40°C to 85°C

**Electrical Characteristics**

(VIN = 3.6V, CIN = COUT = 10μF, L1 = 2.2μH, TA = 25°C, unless otherwise specified)

| Parameter                              | Symbol                  | Test Conditions  | Min     | Typ  | Max  | Unit |   |
|--|-------------------------|--|---------|------|------|------|---|
| <b>BUCK Regulator</b>                  |                         |  |         |      |      |      |   |
| Under-Voltage Lockout Rising Threshold | V <sub>UVLOR</sub>      | V <sub>IN</sub> rising   | --      | 2    | 2.15 | V    |   |
| Under-Voltage Lockout Hysteresis       | V <sub>UVLO_HYS</sub>   |  | --      | 0.1  | 0.4  | V    |   |
| V <sub>OUT</sub> Voltage Accuracy      | V <sub>OUT_ACC10</sub>  | V <sub>OUT</sub> = 1.8V, I <sub>OUT</sub> = 10mA                                     | -2.5    | --   | 2.5  | %    |   |
|  | V <sub>OUT_ACC100</sub> | V <sub>OUT</sub> = 1.8V, I <sub>OUT</sub> = 100mA                                    | -2      | --   | 2    |      |   |
| Input Quiescent Current                | I <sub>Q_Non-SW</sub>   | V <sub>OUT</sub> = 1.8V, I <sub>OUT</sub> = 0A, EN = V <sub>IN</sub> , non-switching | --      | 360  | 800  | nA   |   |
|  | I <sub>QSW</sub>        | V <sub>OUT</sub> = 1.8V, I <sub>OUT</sub> = 0A, EN = V <sub>IN</sub> , switching     | --      | 460  | 1200 |      |   |
| Shutdown Current                       | I <sub>SHDN</sub>       | EN = GND   | --      | 0.2  | 1    | μA   |   |
| Switching Frequency                    | f <sub>sw</sub>         | V <sub>OUT</sub> = 1.8V, CCM mode  | --      | 1.2  | --   | MHz  |   |
| UGATE Current Limit                    | I <sub>CL_UG</sub>      | 3V ≤ V <sub>IN</sub> ≤ 5.5V  | RT5707  | 1    | 1.2  | 1.4  | A |
|  |                         |  | RT5707A | 0.68 | 0.78 | 0.88 |   |
| LGATE Current Limit                    | I <sub>CL_LG</sub>      | 3V ≤ V <sub>IN</sub> ≤ 5.5V  | RT5707  | 1    | 1.2  | 1.4  | A |
|  |                         |  | RT5707A | 0.55 | 0.68 | 0.8  |   |
| UGATE R <sub>ON</sub>                  | R <sub>ON_UG</sub>      | I <sub>OUT</sub> = 50mA  | --      | 350  | --   | mΩ   |   |
| LGATE R <sub>ON</sub>                  | R <sub>ON_LG</sub>      | I <sub>OUT</sub> = 50mA  | --      | 250  | --   | mΩ   |   |

| Parameter                                       | Symbol                    | Test Conditions   | Min | Typ    | Max | Unit |
|---|---------------------------|---|-----|--------|-----|------|
| Output Discharge Resistor                       | R <sub>DIS</sub>          | EN = GND, I <sub>OUT</sub> = -10mA  | --  | 10     | --  | Ω    |
| V <sub>OUT</sub> Pin Input Leakage              | I <sub>VOUT</sub>         | V <sub>OUT</sub> = 2V, EN = V <sub>IN</sub>   | --  | 100    | --  | nA   |
| V <sub>OUT</sub> Minimum Off Time               | t <sub>OFF_MIN</sub>      |   | --  | 80     | --  | ns   |
| V <sub>OUT</sub> Minimum On Time                | t <sub>ON_MIN</sub>       | V <sub>OUT</sub> = 1.8V, V <sub>IN</sub> = 3.6V   | --  | 420    | --  | ns   |
| Line Regulation                                 | V <sub>OUT_LineReg</sub>  | V <sub>OUT</sub> = 1.8V, I <sub>OUT</sub> = 100mA, V <sub>IN</sub> = 2.2V to 5.5V                             | --  | 0.1    | --  | %/V  |
| Load Regulation                                 | V <sub>OUT_LoadReg1</sub> | V <sub>OUT</sub> = 1.8V, including PFM operation  | --  | 0.001  | --  | %mA  |
|   | V <sub>OUT_LoadReg2</sub> | V <sub>OUT</sub> = 1.8V, only CCM operation   | --  | 0.0005 | --  |      |
| Over-Temperature Protection                     | T <sub>OTP</sub>          |   | --  | 150    | --  | °C   |
| Over-Temperature Protection Hysteresis          | T <sub>OTP_HYS</sub>      |   | --  | 20     | --  | °C   |
| Auto 100% Duty Cycle Leave Detection Threshold  | V <sub>TH_100+</sub>      | Rising V <sub>IN</sub> , 100% mode is left with V <sub>IN</sub> = V <sub>OUT</sub> + V <sub>TH_100+</sub>     | 150 | 250    | 350 | mV   |
| Auto 100% Duty Cycle Enter Detection Threshold  | V <sub>TH_100-</sub>      | Falling V <sub>IN</sub> , 100% mode is entered with V <sub>IN</sub> = V <sub>OUT</sub> + V <sub>TH_100-</sub> | 85  | 200    | 290 | mV   |
| <b>Timing</b>                                   |                           |   |     |        |     |      |
| Regulator Start Up Delay Time                   | t <sub>SS_EN</sub>        | I <sub>OUT</sub> = 0mA, EN = GND to V <sub>IN</sub> , V <sub>OUT</sub> starts rising                          | --  | 0.1    | --  | ms   |
| Regulator Soft Start Time                       | t <sub>SS</sub>           | V <sub>OUT</sub> = 1.8V, I <sub>OUT</sub> = 10mA, EN = V <sub>IN</sub>  | --  | 0.7    | --  | ms   |
| <b>Logic Input (EN, VSEL1, VSEL2 and VSEL3)</b> |                           |   |     |        |     |      |
| Input High Threshold                            | V <sub>IH</sub>           | V <sub>IN</sub> = 2.2V to 5.5V  | 1.2 | --     | --  | V    |
| Input Low Threshold                             | V <sub>IL</sub>           | V <sub>IN</sub> = 2.2V to 5.5V  | --  | --     | 0.4 | V    |
| Input Pin Bias Current                          | I <sub>IN</sub>           |   | --  | 10     | --  | nA   |

**Note 1.** Stresses beyond those listed “Absolute Maximum Ratings” may cause permanent damage to the device. These are stress ratings only, and functional operation of the device at these or any other conditions beyond those indicated in the operational sections of the specifications is not implied. Exposure to absolute maximum rating conditions may affect device reliability.

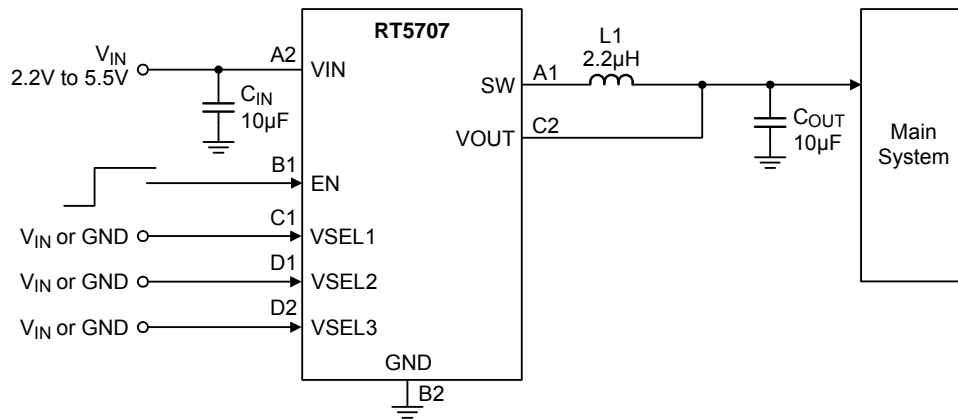
**Note 2.** θ<sub>JA</sub> is measured under natural convection (still air) at T<sub>A</sub> = 25°C with the component mounted on a high effective-thermal-conductivity four-layer test board on a JEDEC 51-7 thermal measurement standard.

**Note 3.** Devices are ESD sensitive. Handling precaution is recommended.

**Note 4.** The device is not guaranteed to function outside its operating conditions.

**Typical Application Circuit**

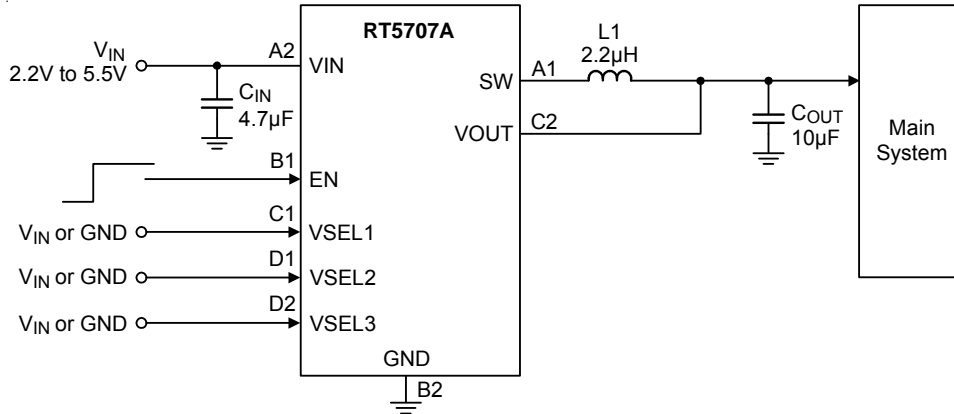
For the RT5707



Recommended components information for the RT5707 as below table :

| Reference                          | Part Number       | Description   | Package | Manufacturer |
|------------------------------------|-------------------|---------------|---------|--------------|
| C <sub>IN</sub> , C <sub>OUT</sub> | GRM155R60J106ME15 | 10µF/6.3V/X5R | 0402    | Murata       |
| L1                                 | 1239AS-H-2R2M     | 2.2µH         | 2520    | Murata       |

For the RT5707A

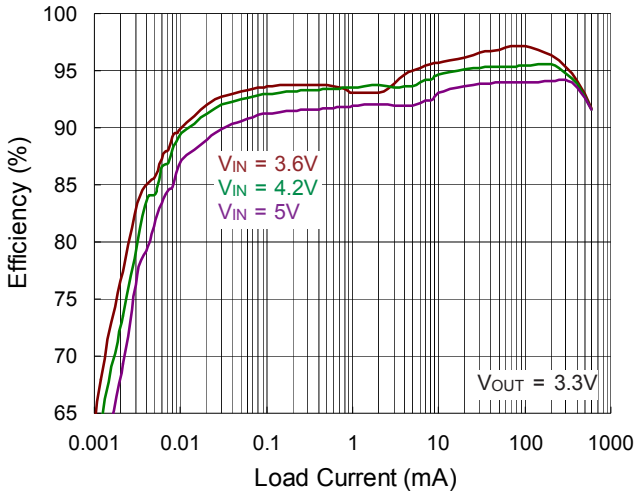


Recommended components information for the RT5707A as below table :

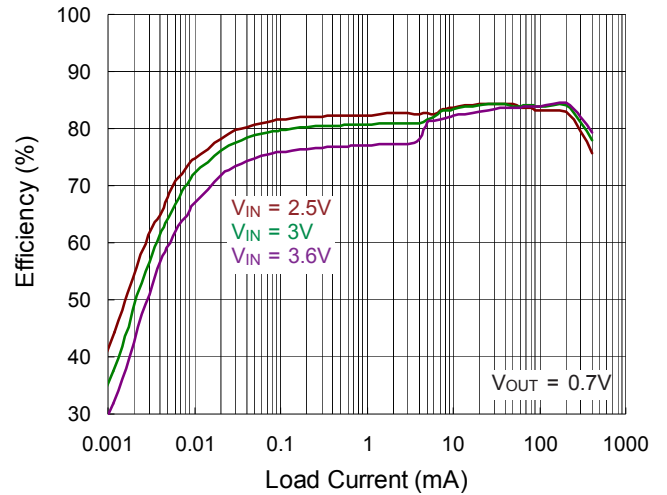
| Reference        | Part Number        | Description    | Package | Manufacturer |
|------------------|--------------------|----------------|---------|--------------|
| C <sub>IN</sub>  | GRM155R60J475ME47  | 4.7µF/6.3V/X5R | 0402    | Murata       |
| C <sub>OUT</sub> | GRM155R60J106ME15  | 10µF/6.3V/X5R  | 0402    | Murata       |
| L1               | DFE201610E-2R2M=P2 | 2.2µH          | 2016    | Murata       |

Typical Operating Characteristics

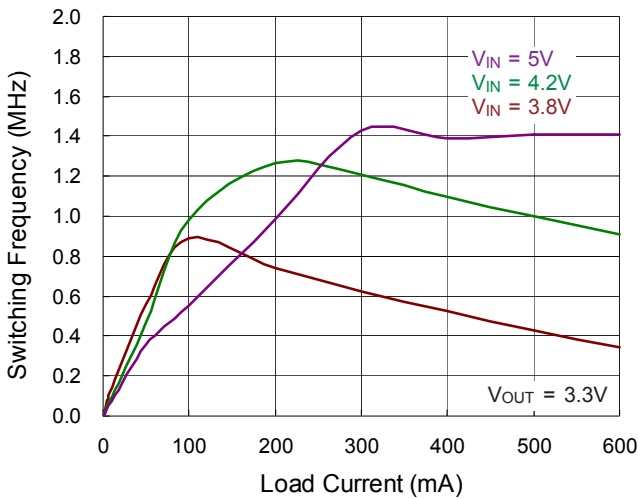
Efficiency vs. Load Current



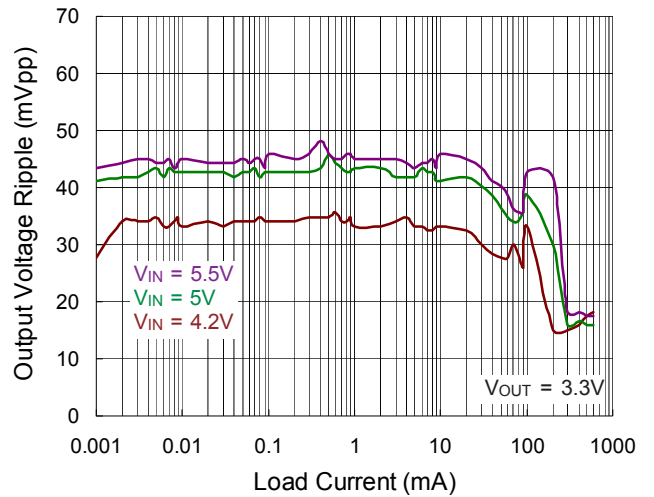
Efficiency vs. Load Current



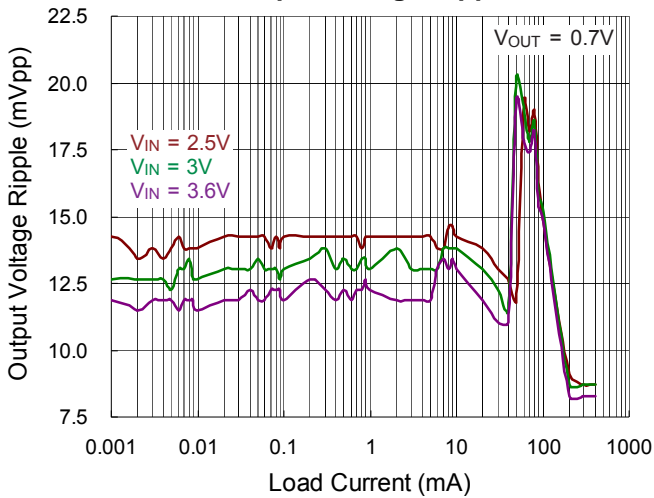
Switching Frequency vs. Load Current



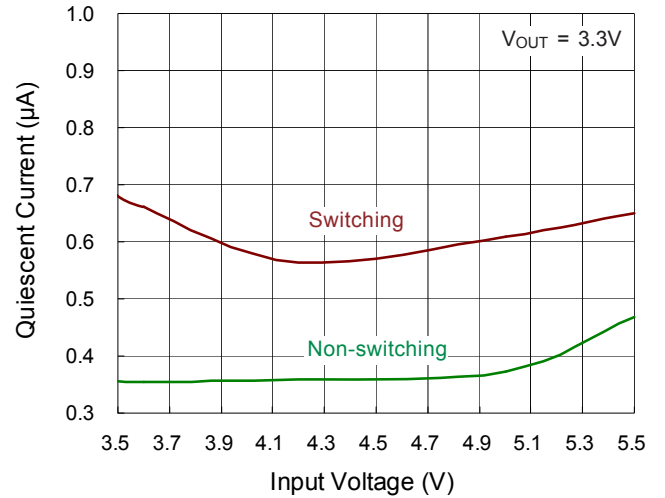
Output Voltage Ripple



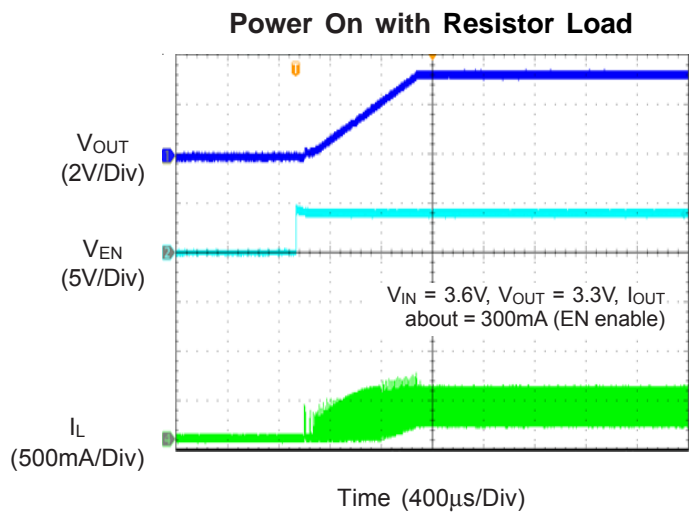
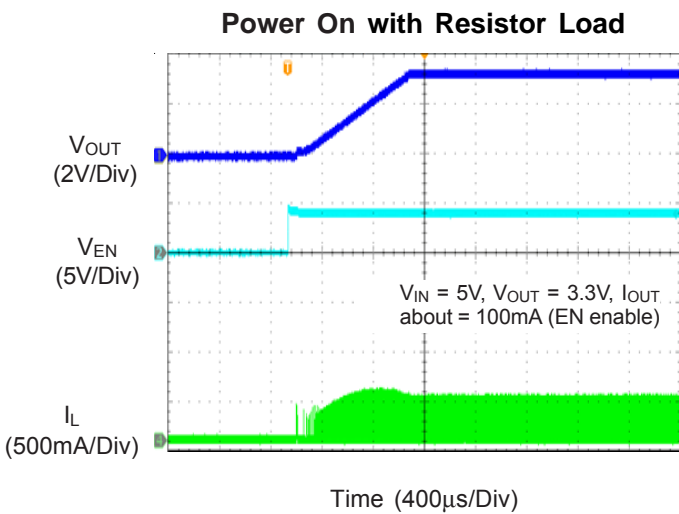
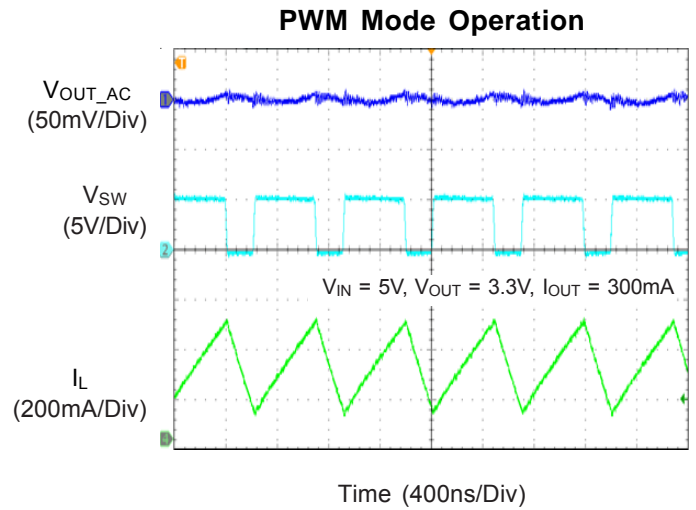
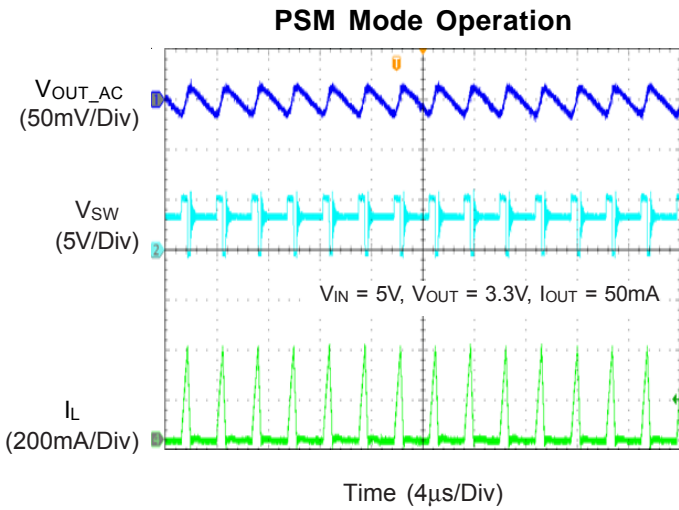
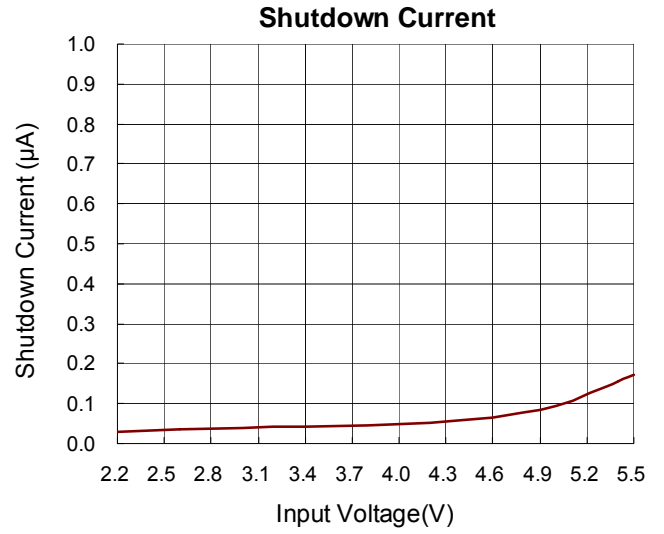
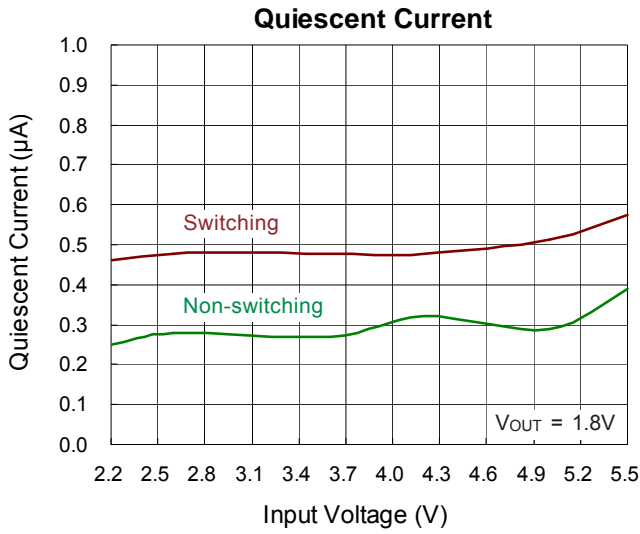
Output Voltage Ripple



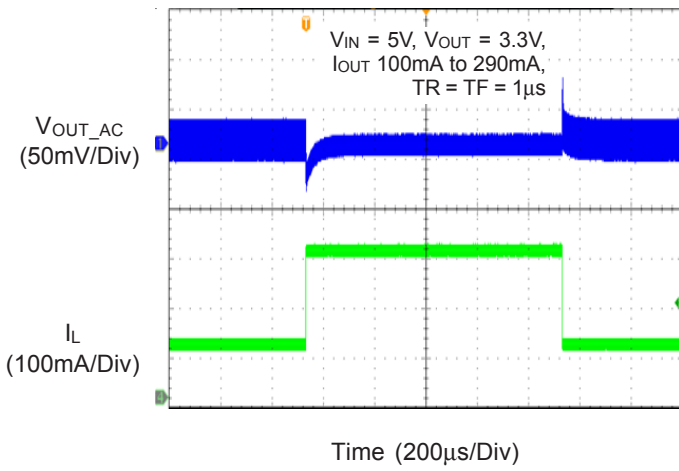
Quiescent Current



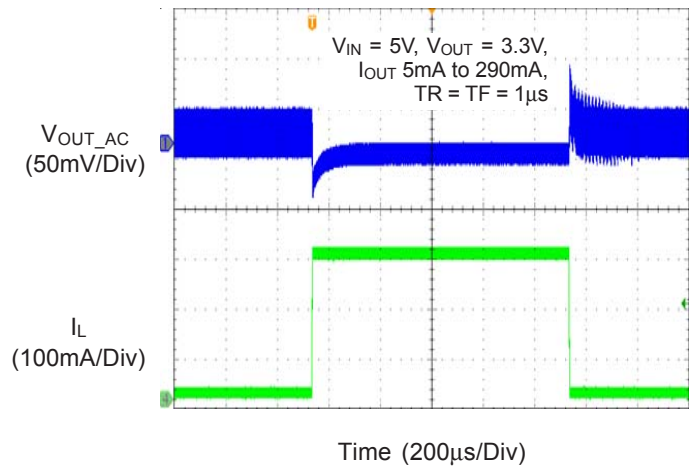




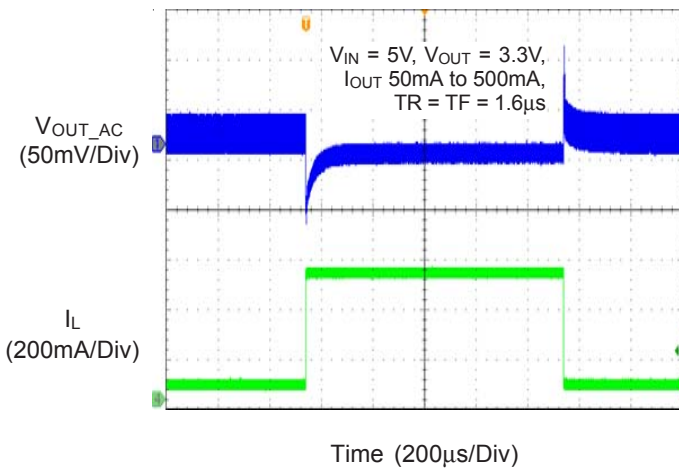
Load Transient Response



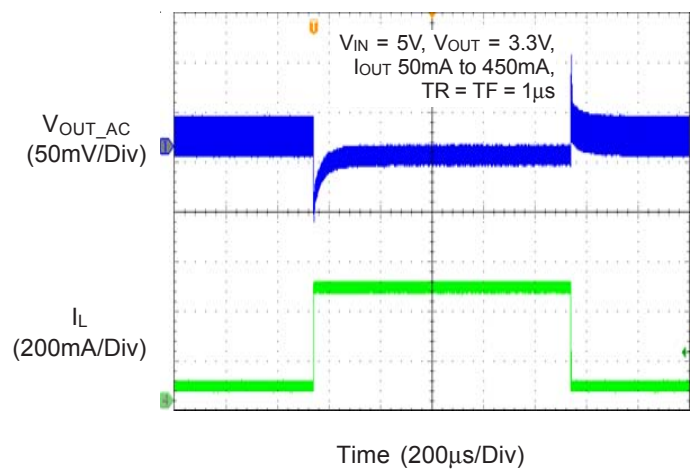
Load Transient Response



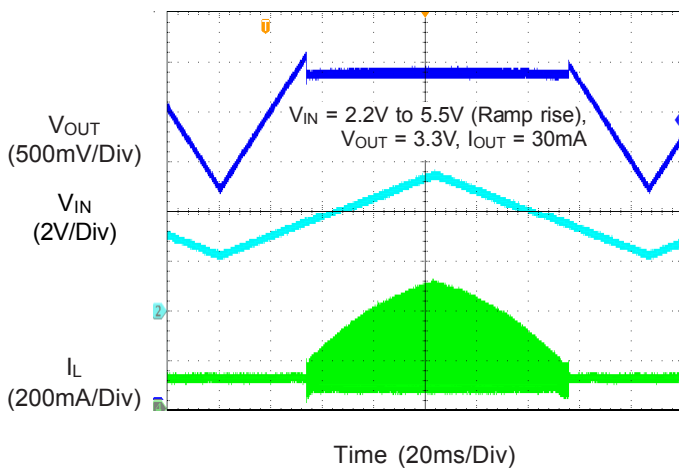
Load Transient Response



Load Transient Response



100% Duty Cycle Entry and Leave Operation



## Application Information

The RT5707/A is a synchronous low voltage step-down converter that can support the input voltage range from 2.2V to 5.5V and the output current can be up to 600mA, peak to 1A (RT5707) / 400mA, peak to 0.5A (RT5707A). Internal compensation are integrated to minimize external component count. Protection features include over-current protection, under-voltage protection and over-temperature protection.

### Inductor Selection

The recommended power inductor is 2.2μH and inductor saturation current rating choose follow over current protection design consideration. In applications, it needs to select an inductor with the low DCR to provide good performance and efficiency.

### C<sub>IN</sub> and C<sub>OUT</sub> Selection

The input capacitance, C<sub>IN</sub>, is needed to filter the trapezoidal current at the source of the top MOSFET. To prevent large ripple voltage, a low ESR input capacitor sized for the maximum RMS current should be used. RMS current is given by :

$$I_{RMS} = I_{OUT(MAX)} \times \frac{V_{OUT}}{V_{IN}} \times \sqrt{\frac{V_{IN}}{V_{OUT}} - 1}$$

This formula has a maximum at V<sub>IN</sub> = 2V<sub>OUT</sub>, where I<sub>RMS</sub> = I<sub>OUT</sub> / 2. This simple worst-case condition is commonly used for design because even significant deviations do not offer much relief. To choose a capacitor rated at a higher temperature than required.

Several capacitors may also be paralleled to meet size or height requirements in the design.

The selection of C<sub>OUT</sub> is determined by the Effective Series Resistance (ESR) that is required to minimize voltage ripple and load step transients, as well as the amount of bulk capacitance that is necessary to ensure that the control loop is stable. Loop stability can be checked by viewing the load transient response as described in a later section.

The output ripple, ΔV<sub>OUT</sub>, is determined by :

$$\Delta V_{OUT} \leq \Delta I_L \left[ ESR + \frac{1}{8 \times f_{SW} \times C_{OUT}} \right]$$

### Thermal Considerations

The junction temperature should never exceed the absolute maximum junction temperature T<sub>J(MAX)</sub>, listed under Absolute Maximum Ratings, to avoid permanent damage to the device. The maximum allowable power dissipation depends on the thermal resistance of the IC package, the PCB layout, the rate of surrounding airflow, and the difference between the junction and ambient temperatures. The maximum power dissipation can be calculated using the following formula :

$$P_{D(MAX)} = (T_{J(MAX)} - T_A) / \theta_{JA}$$

where T<sub>J(MAX)</sub> is the maximum junction temperature, T<sub>A</sub> is the ambient temperature, and θ<sub>JA</sub> is the junction-to-ambient thermal resistance.

For continuous operation, the maximum operating junction temperature indicated under Recommended Operating Conditions is 125°C. The junction-to-ambient thermal resistance, θ<sub>JA</sub>, is highly package dependent. For a WL-CSP-8B 0.9x1.6 (BSC) package, the thermal resistance, θ<sub>JA</sub>, is 118.5°C/W on a standard JEDEC 51-7 high effective-thermal-conductivity four-layer test board. The maximum power dissipation at T<sub>A</sub> = 25°C can be calculated as below  
 $P_{D(MAX)} = (125^\circ\text{C} - 25^\circ\text{C}) / (118.5^\circ\text{C}/\text{W}) = 0.84\text{W}$  for a WL-CSP-8B 0.9x1.6 (BSC) package.

The maximum power dissipation depends on the operating ambient temperature for the fixed T<sub>J(MAX)</sub> and the thermal resistance, θ<sub>JA</sub>. The derating curves in Figure 2 allows the designer to see the effect of rising ambient temperature on the maximum power dissipation.

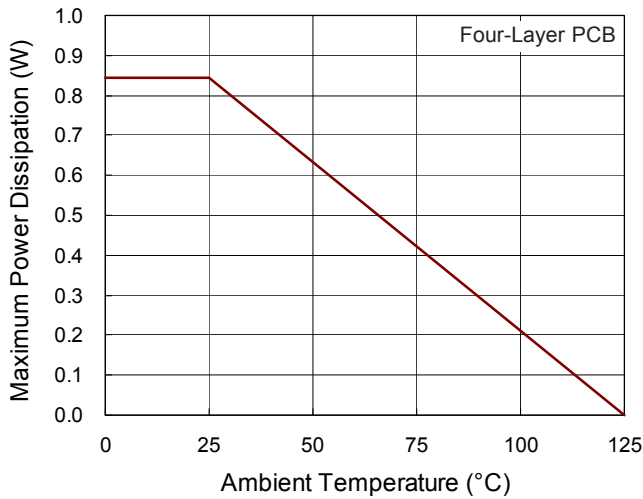


Figure 2. Derating Curve of Maximum Power Dissipation

**Layout Considerations**

For high frequency switching power supplies, the PCB layout is important to get good regulation, high efficiency and stability. The following descriptions are the guidelines for better PCB layout.

- ▶ For good regulation, place the power components as close as possible. The traces should be wide and short enough especially for the high-current loop.
- ▶ Shorten the SW node trace length and make it wide.

**Table 2. Protection Trigger Condition and Behavior**

| Protection Type |                     | Threshold Refer to Electrical Spec. | Protection Method | Reset Method                        |
|-----------------|---------------------|-------------------------------------|-------------------|-------------------------------------|
| RT5707          | UGATE Current Limit | $I_{SW} > 1.2A$ (Typ.)              | Turn off UG MOS   | $I_{SW} < 1.2A$ (Typ.)              |
|                 | LGATE Current Limit | $I_{SW} > 1.2A$ (Typ.)              | Turn on LG MOS    | $I_{SW} < 1.2A$ (Typ.)              |
| RT5707A         | UGATE Current Limit | $I_{SW} > 0.78A$ (Typ.)             | Turn off UG MOS   | $I_{SW} < 0.78A$ (Typ.)             |
|                 | LGATE Current Limit | $I_{SW} > 0.68A$ (Typ.)             | Turn on LG MOS    | $I_{SW} < 0.68A$ (Typ.)             |
| UVLO            |                     | $V_{UVLOF} < 1.9V$ (Typ.)           | Shutdown          | $V_{UVLOR} > 2V$ (Typ.)             |
| OTP             |                     | Temperature $> 150^{\circ}C$ (Typ.) | Shutdown          | Temperature $< 130^{\circ}C$ (Typ.) |

TOP View

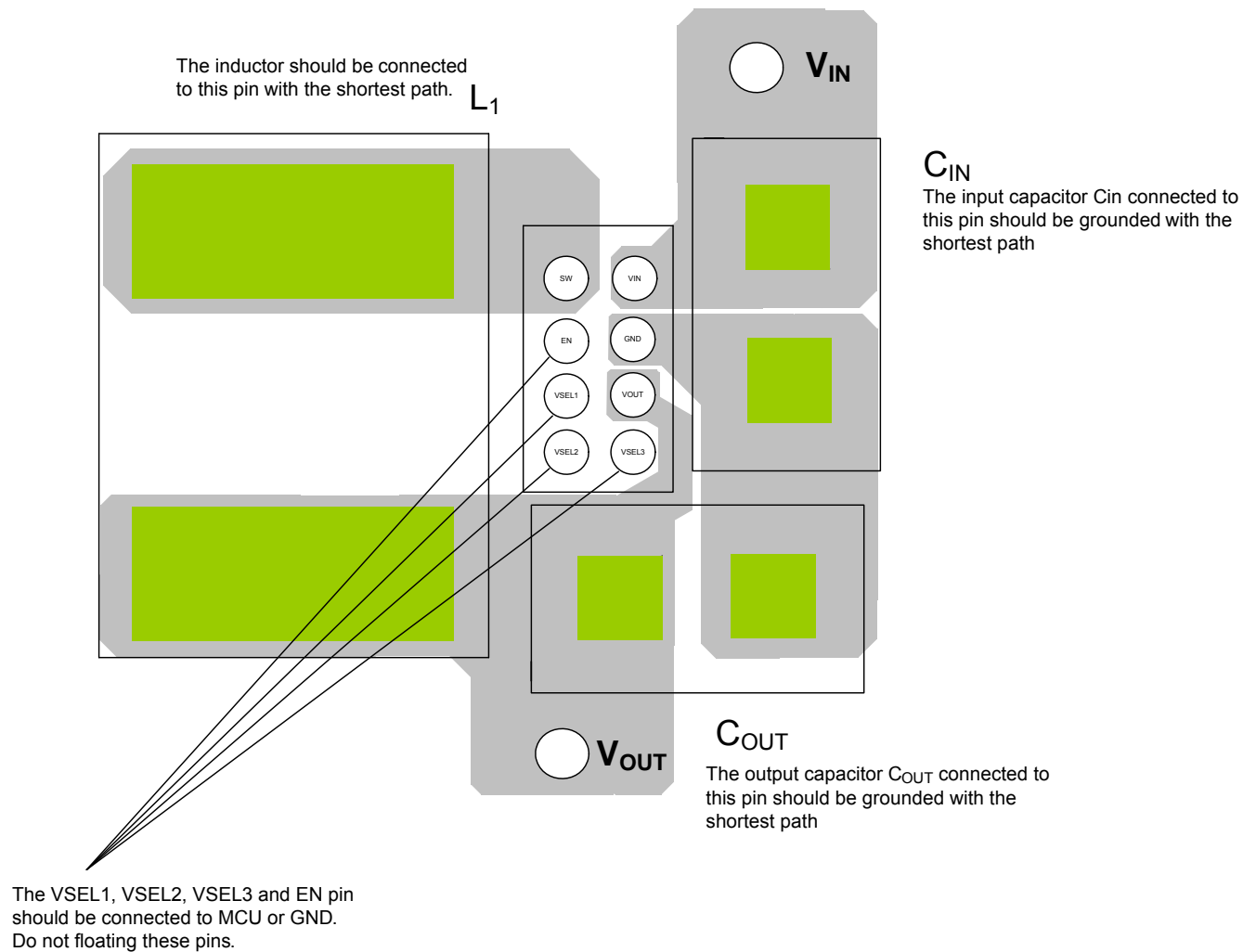


Figure 3. RT5707 PCB Layout Guide

TOP View

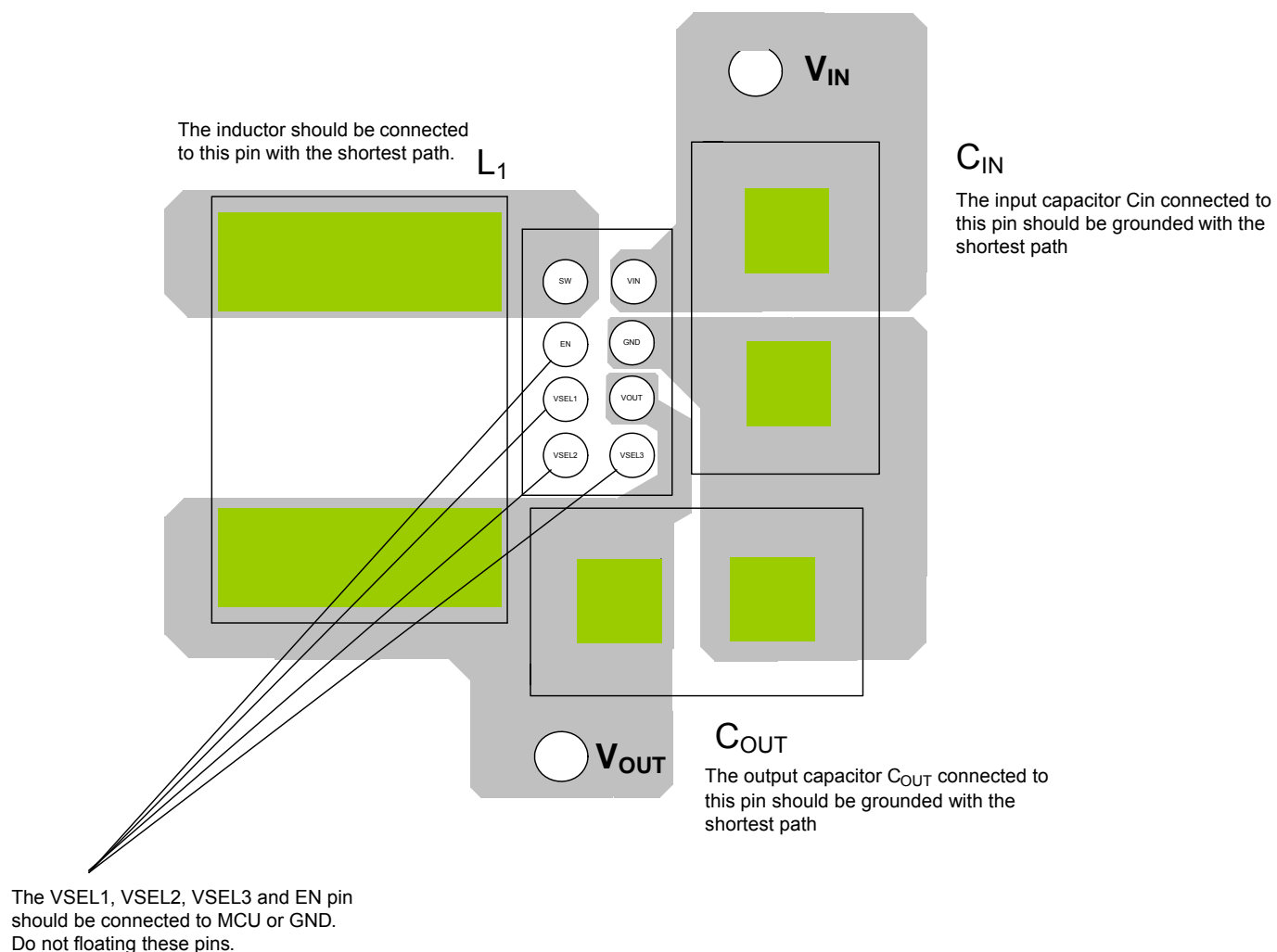
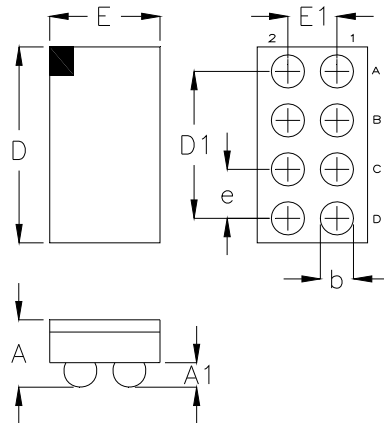


Figure 4. RT5707A PCB Layout Guide

**Outline Dimension**



| Symbol | Dimensions In Millimeters |       | Dimensions In Inches |       |
|--------|---------------------------|-------|----------------------|-------|
|        | Min                       | Max   | Min                  | Max   |
| A      | 0.500                     | 0.600 | 0.020                | 0.024 |
| A1     | 0.170                     | 0.230 | 0.007                | 0.009 |
| b      | 0.240                     | 0.300 | 0.009                | 0.012 |
| D      | 1.560                     | 1.640 | 0.061                | 0.065 |
| D1     | 1.200                     |       | 0.047                |       |
| E      | 0.860                     | 0.940 | 0.034                | 0.037 |
| E1     | 0.400                     |       | 0.016                |       |
| e      | 0.400                     |       | 0.016                |       |

**8B WL-CSP 0.9x1.6 Package (BSC)**