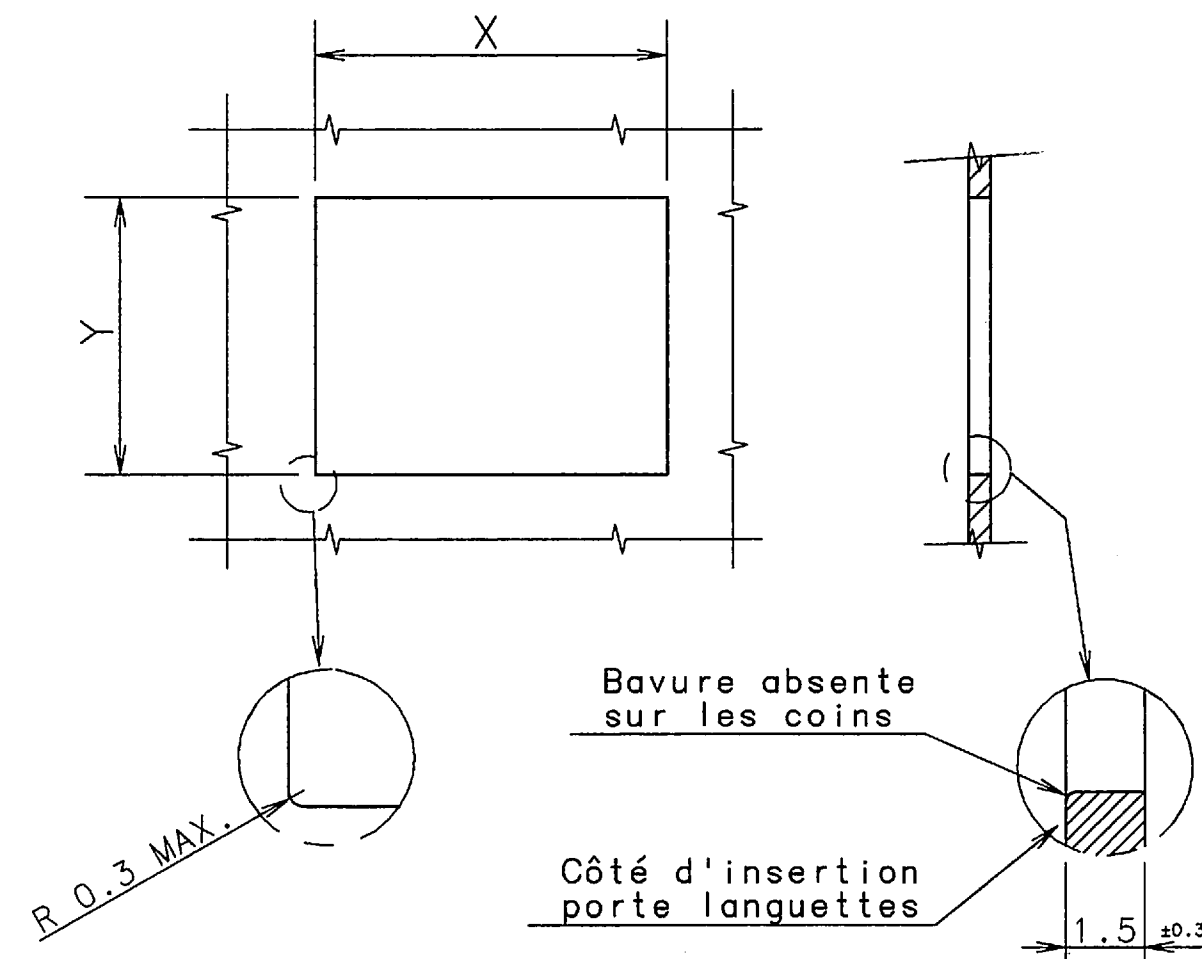


TYPE	CODAGES	Nb. DE VOIES	Z±0.2	COULEUR	CODE F.C.I.	CODE R.V.I.	POIDS EN GRAMMES
J		2	—	NOIR	RT94RH02BK*T	5010214474	3.7
A		2	3.35	BLANC	RT94RH02WH*T	5010214475	3.7
B		2	5.85	GRIS	RT94RH02GY*T	5010214476	3.7
J		4	—	NOIR	RT94RH04BK*T	5010214482	3.7
A		4	3.35	BLANC	RT94RH04WH*T	5010214483	4.6
B		4	5.85	GRIS	RT94RH04GY*T	5010214484	4.6
C		4	8.35	JAUNE	RT94RH04YE*T	5010214485	4.6
A		8	3.35	BLANC	RT94RH08WH*T	5010214497	6.6

TYPE	CODAGES	Nb. DE VOIES	Z±0.2	COULEUR	CODE F.C.I.	CODE R.V.I.	POIDS EN GRAMMES
B		8	5.85	GRIS	RT94RH08GY*T	5010214498	6.6
C		8	8.35	JAUNE	RT94RH08YE*T	5010214499	6.6
G		8	18.35	VIOLET	RT94RH08VL*T	5010214503	6.6
E		8	13.35	ROUGE	RT94RH08RD*T	5010214501	6.6
H		8	10.85	MARRON	RT94RH08BN*T	5010214504	6.6

PLAN DE DÉCOUPE



	2 VOIES	4 VOIES	8 VOIES
Dim. X	18.4 $^{+0.15}_0$	23.4 $^{+0.15}_0$	33.4 $^{+0.15}_0$
Dim. Y	18.4 $^{+0.15}_0$	18.4 $^{+0.15}_0$	18.4 $^{+0.15}_0$

REV.	DATE	DESCRIPTION	BY
A	31/05/12	ECN 12-00684 Removed master column	GB - MC
06	15/11/96	Ajournement	R.R.
05	25/03/96	Ajournement	R.R.
04	18/10/95	Ajournement	R.R.
03	04/05/95	Ajournement	R.R.
02	21/02/95	Ajournement	R.R.
01	12/01/95	Ajournement	R.R.

MATERIAU / MATERIALE
PA66 15% FIBRE DE VERRE

Questo disegno è di esclusiva proprietà. Non può essere copiato, né riprodotto, né trascritto o utilizzato per la fabbricazione senza la nostra autorizzazione scritta. Deve essere restituito nel caso non sia utilizzato.

This is our exclusive property. It is not to be copied, reprinted or disclosed to a third party nor used for manufacturing without our written consent, and has to be returned in case of not usage.

TOLERANCES	1DEC ±0.2	1DEC ±0.1	TOLLERANZE
NON SPECIFIES	2DEC ±0.1	2DEC ±0.1	SALVO ISTRUZIONI CONTRARIE
TOUTES DIMENSIONS EN mm			DIMENSIONI IN MM
EUROPEAN PROJECTION			PROIEZIONE EUROPEA

THE UNDERLINED DIMENSIONS ARE NOT ON SCALE / LE DIMENSIONI SOTTOLINEATE NON SONO IN SCALA

REFERENCES / RIFERIMENTI
EPT93004

DESSIN	DATE	SIGN.
VERIFICATION	11.10.94	C.SAVINI
	11.10.94	A.GENTA

← MANUFACTURING CRITICAL POINT
© CRITICAL ① IMPORTANT

PORTE LANGUETTES RT94
(PLAN DEFINITION CLIENT)

CAT. No. VOIR PLANCHE

FRAMATOME CONNECTORS INTERNATIONAL
Framatome Connectors Italia S.p.A. ECH :

PLAN N° BPD307840.2_2.06