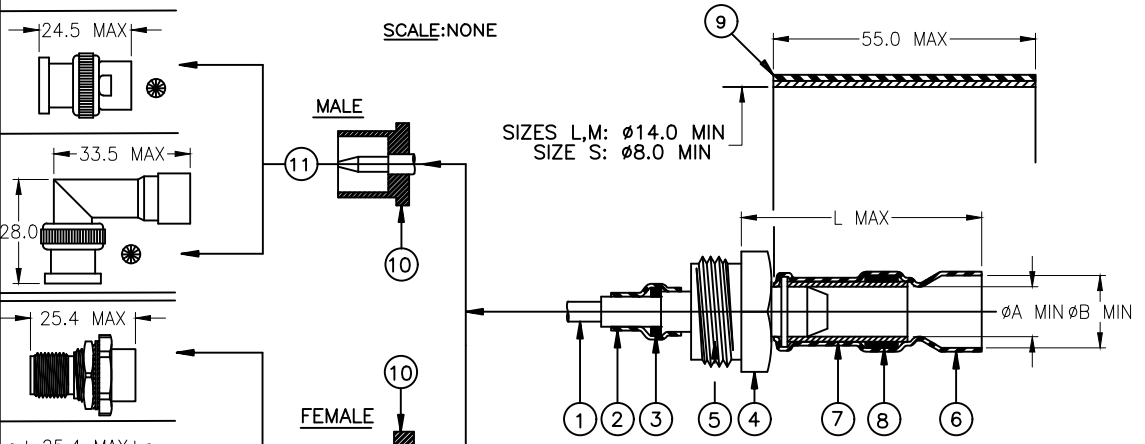


REVISIONS

P	LTR	DESCRIPTION	DATE	DWN	APVD
	4	REVISED AS PER ECO-20-003566.	09MAR2020	TC	NP

-XX	DESIGNATION
00	STRAIGHT PLUG
00-H	
01	ANGLE PLUG
01-H	
02	STRAIGHT BULKHEAD JACK
03	STRAIGHT JACK
04	STRAIGHT PANEL JACK



SIZES L,M: $\phi 14.0$ MIN
SIZE S: $\phi 8.0$ MIN

FOR EXAMPLE: RTD-75-M-00(-H)

-X	PRODUCT DIMENSIONS			CABLE DIMENSIONS			
	L MAX	ϕA MIN	ϕB MIN	ϕD MAX	ϕF MAX	ϕE	ϕG
L	31.0	9.6	12.7	2.45	7.30	4.1/9.5	5.0/12.5
M	31.0	5.1	7.2	1.25	3.70	2.1/5.0	3.5/7.0
S	26.0	3.1	5.7	0.65	1.55	0.9/3.0	1.5/5.5

⊗ -H PARTS HAVE HEX NUT COUPLING WITH LOCK WIRE HOLES.

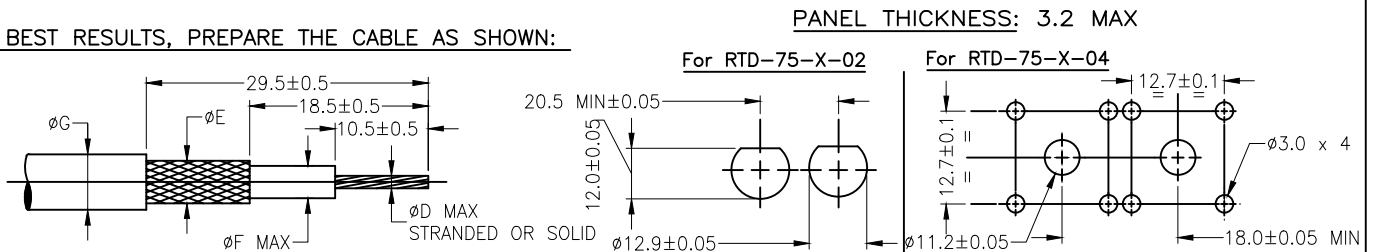
MATERIAL:

- CENTER CONTACT. GOLD PLATED BRASS (MALE) OR GOLD BERYLLIUM COPPER (FEMALE).
- HEAT SHRINKABLE INSULATION SLEEVE, TRANSPARENT BLUE. RADIATION CROSS-LINKED MODIFIED POLYVINYLIDENE FLUORIDE.
- SOLDER PREFORM. Sn63 Pb37 SOLDER ALLOY WITH ROLO FLUX PER ANSI-J-STD-004.
- THREADED TRANSITION PART. SILVER PLATED BRASS.
- INSULATOR. PTFE.
- SOLDERSHIELD DEVICE. TIN PLATED COPPER BRAID WITH ACTIVATED ROSIN FLUX.
- SOLDER PREFORM (ON L AND M SIZE ONLY). Sn63 Pb37 SOLDER ALLOY WITH ROLO FLUX PER ANSI-J-STD-004.
- HEAT SHRINKABLE INSULATION SLEEVE, BLACK. RADIATION CROSS-LINKED MODIFIED POLYOLEFIN WITH ADHESIVE.
- INSULATOR (EXCEPT FOR ANGLE PLUG), PTFE.
- BODY, NICKEL PLATED BRASS.

APPLICATION:

- THESE CONTROLLED SOLDERING DEVICES ARE DESIGNED TO CONNECT, WITH A MIL-PRF-39012 TNC INTERMEDIATE PART, A 75Ω SINGLE OR DOUBLE BRAIDED COAXIAL HAVING A:
-TIN OR SILVER PLATED COPPER OUTER CONDUCTOR.
-TIN OR SILVER PLATED INNER CONDUCTOR.
AND INSULATION RATED FOR AT LEAST +85°C.
- TEMPERATURE RANGE:
* WITH BLACK SLEEVE: -55°C TO 100°C.
* WITHOUT BLACK SLEEVE: -55°C TO 150°C.
- FOR INSTALLATION PROCEDURE AND APPLICATION EQUIPMENT, CONSULT RPIP-683-00.

FOR BEST RESULTS, PREPARE THE CABLE AS SHOWN:



TE Connectivity. All Rights Reserved.

2020

©

DIMENSIONS: mm	DWN	09MAR2020	MATERIAL	FINISH
	CHK	09MAR2020		
TOLERANCES UNLESS OTHERWISE SPECIFIED:	APVD	09MAR2020		
	PRODUCT SPEC			
0 PLC ± - 1 PLC ± - 2 PLC ± - 3 PLC ± - 4 PLC ± - ANGLES ± -	APVD	09MAR2020		
	APPLICATION SPEC			
WEIGHT	NAME		RESTRICTED TO	
	ONE STEP RF CONNECTOR		-	
CUSTOMER DRAWING		SIZE	CAGE CODE	DRAWING NO
		A4	06090	RTD-75-X-XX/-XX-H
SCALE		DNS	SHEET	1 OF 1
				REV 4