

[New Release]

R20TS0749EJ0100

Rev.1.00

Dec. 16, 2021

## Renesas Starter Kit+ for RX671

-Encryption Functions, Serial Sound I/F, and Capacitive Touch Can Be Evaluated-

### Outline

Renesas Starter Kit+ for RX671 has been released. It supports the RX family RX671 group.

### 1. Product Overview

The Renesas Starter Kit+ for RX671 includes a variety of peripheral functions such as an encryption function, serial sound I/F, and capacitive touch. It is the perfect starter kit for developers who are new to the RX671.

The kit includes the following hardware necessary for development.

- Hardware
  - CPU board with the RX671 group device (code flash 2MB, pin count 144-pin) mounted
  - Pmod™ compatible LCD board
  - E2 emulator Lite
  - 5V AC adaptor (multi-region)



- The kit can build evaluation environments with the web installer.
- This board picture is prototype version.

Figure 1 Renesas Starter Kit+ for RX671

#### ➤ Software

The Renesas Starter Kit+ for RX671 installer is available on the following web pages to download. The installer includes the software necessary for evaluations. Combine it with the Renesas Starter Kit+ for RX671 and you can start evaluating immediately.

- Renesas Starter Kit+ for RX671 (CS+ version)  
<https://www.renesas.com/rskrx671/install/cs>
- Renesas Starter Kit+ for RX671 (e<sup>2</sup> studio version)  
<https://www.renesas.com/rskrx671/install/e2>

The installer includes the following software.

- Integrated development environment (CS+/e<sup>2</sup> studio)
- C/C++ Compiler Package for RX Family (evaluation edition)
- Renesas Flash Programmer (evaluation edition)
- Renesas Starter Kit+ for RX671 sample programs

Refer to our web page below for the details of the product.

- Renesas Starter Kit+ for RX671 product page

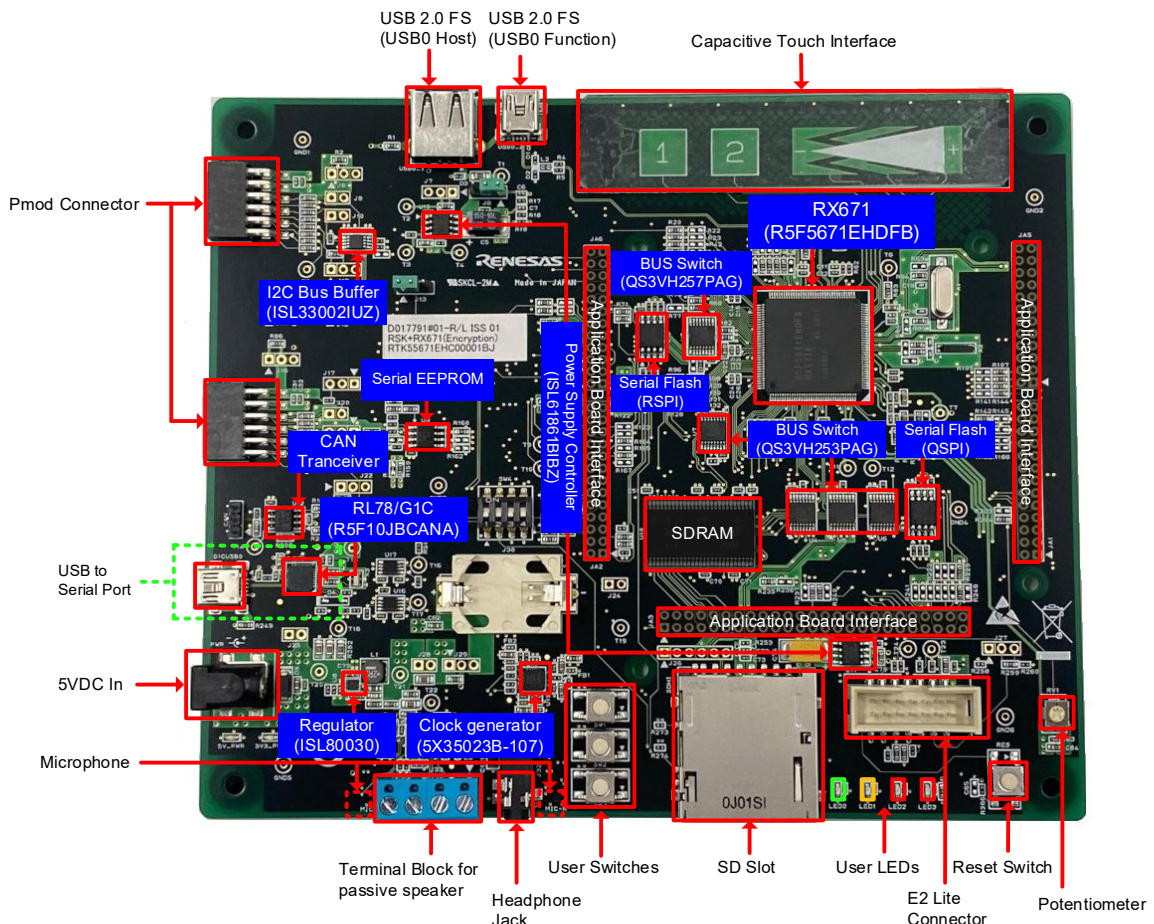
<https://www.renesas.com/rskrx671>

## 2. Product Features

- RX671 builds in Trusted Secure IP\*. Security functions such as AES encryption function and robust key management can be evaluated.

\*Trusted Secure IP is a security function that encrypts communication data and protects the decryption key.

- Mounts SD slot. SDHI (SD Host Interface) can be evaluated.
- Touch feature (self-capacitive type) can be evaluated.
- Mounts Audio circuit. SSIE (Serial Sound Interface) can be evaluated.
- 1 channel USB Function and 1 channel USB Host can be evaluated.



\* This board picture is prototype version.

Figure 2 CPU board (component side)

### 3. Operating Environment

- IBM-PC/AT compatible PC
- Windows® 10 (32-bit or 64-bit version)
- Windows 8.1 (32-bit or 64-bit version)
- Processor: 1GHz or faster (hyper-threading and multi-core CPU are supported)
- Memory: Minimum of 1GB. 2GB or more is recommended (Windows 10 and 64-bit version: Minimum of 2GB)
- Hard disk space: 1GB
- Display resolution: Minimum of 1024×768 and 65536 colors

### 4. Purchasing the Product

Contact your local Renesas Electronics sales office or distributor and inform them of the following product information.

Regarding the price of the product, contact the sales office or distributor.

Orderable part number	Trusted Secure IP	Status
RTK55671EHS00000BE	Provided	Mass production