

# RX72T Group

## Renesas Starter Kit for RX72T User's Manual

RENESAS 32-Bit MCU  
RX Family / RX700 Series

All information contained in these materials, including products and product specifications, represents information on the product at the time of publication and is subject to change by Renesas Electronics Corporation without notice. Please review the latest information published by Renesas Electronics Corporation through various means, including the Renesas Electronics Corporation website (<http://www.renesas.com>).

## Notice

1. Descriptions of circuits, software and other related information in this document are provided only to illustrate the operation of semiconductor products and application examples. You are fully responsible for the incorporation or any other use of the circuits, software, and information in the design of your product or system. Renesas Electronics disclaims any and all liability for any losses and damages incurred by you or third parties arising from the use of these circuits, software, or information.
2. Renesas Electronics hereby expressly disclaims any warranties against and liability for infringement or any other claims involving patents, copyrights, or other intellectual property rights of third parties, by or arising from the use of Renesas Electronics products or technical information described in this document, including but not limited to, the product data, drawings, charts, programs, algorithms, and application examples.
3. No license, express, implied or otherwise, is granted hereby under any patents, copyrights or other intellectual property rights of Renesas Electronics or others.
4. You shall not alter, modify, copy, or reverse engineer any Renesas Electronics product, whether in whole or in part. Renesas Electronics disclaims any and all liability for any losses or damages incurred by you or third parties arising from such alteration, modification, copying or reverse engineering.
5. Renesas Electronics products are classified according to the following two quality grades: "Standard" and "High Quality". The intended applications for each Renesas Electronics product depends on the product's quality grade, as indicated below.  
"Standard": Computers; office equipment; communications equipment; test and measurement equipment; audio and visual equipment; home electronic appliances; machine tools; personal electronic equipment; industrial robots; etc.  
"High Quality": Transportation equipment (automobiles, trains, ships, etc.); traffic control (traffic lights); large-scale communication equipment; key financial terminal systems; safety control equipment; etc.  
Unless expressly designated as a high reliability product or a product for harsh environments in a Renesas Electronics data sheet or other Renesas Electronics document, Renesas Electronics products are not intended or authorized for use in products or systems that may pose a direct threat to human life or bodily injury (artificial life support devices or systems; surgical implantations; etc.), or may cause serious property damage (space system; undersea repeaters; nuclear power control systems; aircraft control systems; key plant systems; military equipment; etc.). Renesas Electronics disclaims any and all liability for any damages or losses incurred by you or any third parties arising from the use of any Renesas Electronics product that is inconsistent with any Renesas Electronics data sheet, user's manual or other Renesas Electronics document.
6. When using Renesas Electronics products, refer to the latest product information (data sheets, user's manuals, application notes, "General Notes for Handling and Using Semiconductor Devices" in the reliability handbook, etc.), and ensure that usage conditions are within the ranges specified by Renesas Electronics with respect to maximum ratings, operating power supply voltage range, heat dissipation characteristics, installation, etc. Renesas Electronics disclaims any and all liability for any malfunctions, failure or accident arising out of the use of Renesas Electronics products outside of such specified ranges.
7. Although Renesas Electronics endeavors to improve the quality and reliability of Renesas Electronics products, semiconductor products have specific characteristics, such as the occurrence of failure at a certain rate and malfunctions under certain use conditions. Unless designated as a high reliability product or a product for harsh environments in a Renesas Electronics data sheet or other Renesas Electronics document, Renesas Electronics products are not subject to radiation resistance design. You are responsible for implementing safety measures to guard against the possibility of bodily injury, injury or damage caused by fire, and/or danger to the public in the event of a failure or malfunction of Renesas Electronics products, such as safety design for hardware and software, including but not limited to redundancy, fire control and malfunction prevention, appropriate treatment for aging degradation or any other appropriate measures. Because the evaluation of microcomputer software alone is very difficult and impractical, you are responsible for evaluating the safety of the final products or systems manufactured by you.
8. Please contact a Renesas Electronics sales office for details as to environmental matters such as the environmental compatibility of each Renesas Electronics product. You are responsible for carefully and sufficiently investigating applicable laws and regulations that regulate the inclusion or use of controlled substances, including without limitation, the EU RoHS Directive, and using Renesas Electronics products in compliance with all these applicable laws and regulations. Renesas Electronics disclaims any and all liability for damages or losses occurring as a result of your noncompliance with applicable laws and regulations.
9. Renesas Electronics products and technologies shall not be used for or incorporated into any products or systems whose manufacture, use, or sale is prohibited under any applicable domestic or foreign laws or regulations. You shall comply with any applicable export control laws and regulations promulgated and administered by the governments of any countries asserting jurisdiction over the parties or transactions.
10. It is the responsibility of the buyer or distributor of Renesas Electronics products, or any other party who distributes, disposes of, or otherwise sells or transfers the product to a third party, to notify such third party in advance of the contents and conditions set forth in this document.
11. This document shall not be reprinted, reproduced or duplicated in any form, in whole or in part, without prior written consent of Renesas Electronics.
12. Please contact a Renesas Electronics sales office if you have any questions regarding the information contained in this document or Renesas Electronics products.

(Note 1) "Renesas Electronics" as used in this document means Renesas Electronics Corporation and also includes its directly or indirectly controlled subsidiaries.

(Note 2) "Renesas Electronics product(s)" means any product developed or manufactured by or for Renesas Electronics.

## General Precautions in the Handling of Microprocessing Unit and Microcontroller Unit Products

The following usage notes are applicable to all Microprocessing unit and Microcontroller unit products from Renesas. For detailed usage notes on the products covered by this document, refer to the relevant sections of the document as well as any technical updates that have been issued for the products.

### 1. Handling of Unused Pins

Handle unused pins in accordance with the directions given under Handling of Unused Pins in the manual.

¾ The input pins of CMOS products are generally in the high-impedance state. In operation with an unused pin in the open-circuit state, extra electromagnetic noise is induced in the vicinity of LSI, an associated shoot-through current flows internally, and malfunctions occur due to the false recognition of the pin state as an input signal become possible. Unused pins should be handled as described under Handling of Unused Pins in the manual.

### 2. Processing at Power-on

The state of the product is undefined at the moment when power is supplied.

¾ The states of internal circuits in the LSI are indeterminate and the states of register settings and pins are undefined at the moment when power is supplied.

In a finished product where the reset signal is applied to the external reset pin, the states of pins are not guaranteed from the moment when power is supplied until the reset process is completed. In a similar way, the states of pins in a product that is reset by an on-chip power-on reset function are not guaranteed from the moment when power is supplied until the power reaches the level at which resetting has been specified.

### 3. Prohibition of Access to Reserved Addresses

Access to reserved addresses is prohibited.

¾ The reserved addresses are provided for the possible future expansion of functions. Do not access these addresses; the correct operation of LSI is not guaranteed if they are accessed.

### 4. Clock Signals

After applying a reset, only release the reset line after the operating clock signal has become stable. When switching the clock signal during program execution, wait until the target clock signal has stabilized.

¾ When the clock signal is generated with an external resonator (or from an external oscillator) during a reset, ensure that the reset line is only released after full stabilization of the clock signal. Moreover, when switching to a clock signal produced with an external resonator (or by an external oscillator) while program execution is in progress, wait until the target clock signal is stable.

### 5. Differences between Products

Before changing from one product to another, i.e. to a product with a different part number, confirm that the change will not lead to problems.

¾ The characteristics of Microprocessing unit or Microcontroller unit products in the same group but having a different part number may differ in terms of the internal memory capacity, layout pattern, and other factors, which can affect the ranges of electrical characteristics, such as characteristic values, operating margins, immunity to noise, and amount of radiated noise. When changing to a product with a different part number, implement a system-evaluation test for the given product.

## Disclaimer

By using this Renesas Starter Kit (RSK), the user accepts the following terms:

The RSK is not guaranteed to be error free, and the entire risk as to the results and performance of the RSK is assumed by the User. The RSK is provided by Renesas on an "as is" basis without warranty of any kind whether express or implied, including but not limited to the implied warranties of satisfactory quality, fitness for a particular purpose, title and non-infringement of intellectual property rights with regard to the RSK. Renesas expressly disclaims all such warranties. Renesas or its affiliates shall in no event be liable for any loss of profit, loss of data, loss of contract, loss of business, damage to reputation or goodwill, any economic loss, any reprogramming or recall costs (whether the foregoing losses are direct or indirect) nor shall Renesas or its affiliates be liable for any other direct or indirect special, incidental or consequential damages arising out of or in relation to the use of this RSK, even if Renesas or its affiliates have been advised of the possibility of such damages.

## Precautions

The following precautions should be observed when operating any RSK product:

This Renesas Starter Kit is only intended for use in a laboratory environment under ambient temperature and humidity conditions. A safe separation distance should be used between this and any sensitive equipment. Its use outside the laboratory, classroom, study area or similar such area invalidates conformity with the protection requirements of the Electromagnetic Compatibility Directive and could lead to prosecution.

The product generates, uses, and can radiate radio frequency energy and may cause harmful interference to radio communications. However, there is no guarantee that interference will not occur in a particular installation. If this equipment causes harmful interference to radio or television reception, which can be determined by turning the equipment off or on, you are encouraged to try to correct the interference by one or more of the following measures;

- ensure attached cables do not lie across the equipment
- reorient the receiving antenna
- increase the distance between the equipment and the receiver
- connect the equipment into an outlet on a circuit different from that which the receiver is connected
- power down the equipment when not in use
- consult the dealer or an experienced radio/TV technician for help NOTE: It is recommended that wherever possible shielded interface cables are used.

The product is potentially susceptible to certain EMC phenomena. To mitigate against them it is recommended that the following measures be undertaken;

- The user is advised that mobile phones should not be used within 10m of the product when in use.
- The user is advised to take ESD precautions when handling the equipment.

The Renesas Starter Kit does not represent an ideal reference design for an end product and does not fulfil the regulatory standards for an end product.

# How to Use This Manual

## 1. Purpose and Target Readers

This manual is designed to provide the user with an understanding of the RSK hardware functionality, and electrical characteristics. It is intended for users designing sample code on the RSK platform, using the many different incorporated peripheral devices.

The manual comprises of an overview of the capabilities of the RSK product, but does not intend to be a guide to embedded programming or hardware design. Further details regarding setting up the RSK and development environment can be found in the tutorial manual.

Particular attention should be paid to the precautionary notes when using the manual. These notes occur within the body of the text, at the end of each section, and in the Usage Notes section.

The revision history summarizes the locations of revisions and additions. It does not list all revisions. Refer to the text of the manual for details.

The following documents apply to the RSKRX72T. Please use the latest version of the document. The latest version is posted on the Renesas Electronics website.

Document Type	Description	Document Title	Document No.
User's Manual	Describes the technical details of the RSK hardware.	Renesas Starter Kit for RX72T User's Manual	R20UT4272EG (This manual)
Tutorial Manual	Provides a guide to setting up RSK environment, running sample code and debugging programs.	Renesas Starter Kit for RX72T Tutorial Manual	CS+: R20UT4273EG e <sup>2</sup> studio: R20UT4276EG
Quick Start Guide	Provides simple instructions to setup the RSK and run the first sample.	Renesas Starter Kit for RX72T Quick Start Guide	CS+: R20UT4274EG e <sup>2</sup> studio: R20UT4277EG
Smart Configurator Tutorial	Provides a guide to code generation and importing into the e <sup>2</sup> studio IDE.	Renesas Starter Kit for RX72T Smart Configurator Tutorial Manual	CS+: R20UT4275EG e <sup>2</sup> studio: R20UT4278EG
Schematics	Full detail circuit schematics of the RSK.	Renesas Starter Kit for RX72T Schematics	R20UT4271EG
Hardware Manual	Provides technical details of the RX72T microcontroller.	RX72T Group Hardware Manual	R01UH0803EJ

## 2. List of Abbreviations and Acronyms

Abbreviation	Full Form
ADC	Analog-to-Digital Converter
BC	Battery Charging
bps	bits per second
CAN	Controller Area Network
CPU	Central Processing Unit
DAC	Digital-to-Analog Converter
DIP	Dual In-line Package
DMA	Direct Memory Access
DMAC	Direct Memory Access Controller
DNF	Do Not Fit
E1/E2 Lite	Renesas On-chip Debugging Emulator
EEPROM	Electrically Erasable Programmable Read Only Memory
EMC	Electromagnetic Compatibility
ESD	Electrostatic Discharge
GLCDC	Graphic LCD Controller
I <sup>2</sup> C (IIC)	Philips™ Inter-Integrated Circuit Connection Bus
IRQ	Interrupt Request
LCD	Liquid Crystal Display
LED	Light Emitting Diode
LIN	Local Interconnect Network
MCU	Micro-controller Unit
MTU	Multi-Function Timer Pulse Unit
n/a (NA)	Not Applicable
n/c (NC)	Not Connected
NMI	Non-maskable Interrupt
OTG	On The Go™
PC	Personal Computer
PDC	Parallel Data Capture Unit
PLL	Phase Locked Loop
Pmod™	This is a Digilent Pmod™ Compatible connector. Pmod™ is registered to <a href="#">Digilent Inc.</a> Digilent-Pmod_Interface_Specification
POE	Port Output Enable
PWM	Pulse Width Modulation
RAM	Random Access Memory
ROM	Read Only Memory
RSK	Renesas Starter Kit
RTC	Real time Clock
SCI	Serial Communications Interface
SPI	Serial Peripheral Interface
SSI	Serial Sound Interface
TFT	Thin Film Transistor
UART	Universal Asynchronous Receiver/Transmitter
USB	Universal Serial Bus
WDT	Watchdog Timer

All trademarks and registered trademarks are the property of their respective owners.

## Table of Contents

1. Overview.....	9
1.1 Purpose.....	9
1.2 Features.....	9
1.3 Board specification.....	10
2. Power Supply .....	11
2.1 Requirements.....	11
2.2 Initial startup operation.....	11
3. Board Layout .....	12
3.1 Component Layout.....	12
3.2 Board Dimensions.....	13
3.3 Component Placement .....	14
4. Connectivity .....	16
4.1 Internal Board Connections .....	16
4.2 Debugger Connections .....	17
5. User Circuitry .....	18
5.1 Reset Circuit .....	18
5.2 Clock Circuit.....	18
5.3 Switches.....	18
5.4 LEDs .....	18
5.5 Potentiometer.....	19
5.6 Pmod™ .....	19
5.7 USB Serial Port.....	20
5.8 Controller Area Network (CAN).....	20
5.9 External Bus.....	21
5.10 I <sup>2</sup> C Bus (Inter-IC Bus) .....	21
5.11 Local-Interconnect Network (LIN) .....	21
5.12 Universal Serial Bus (USB).....	21
6. Configuration .....	22
6.1 Modifying the RSK .....	22
6.2 MCU Operating Modes .....	22
6.3 E1/E2 Lite Debugger Configuration .....	23
6.4 Power Supply Configuration .....	24
6.5 Clock Configuration.....	25
6.6 Analog Power & ADC & DAC Configuration .....	25
6.7 BUS Configuration .....	26
6.8 CAN Configuration .....	27
6.9 General IO & LED Configuration .....	28
6.10 I <sup>2</sup> C & EEPROM Configuration.....	28
6.11 IRQ & Switch Configuration .....	29
6.12 LIN Configuration .....	29
6.13 MTU & POE Configuration.....	30
6.14 PMOD1 Configuration.....	32
6.15 PMOD2 Configuration.....	32
6.16 Serial & USB to Serial Configuration .....	33
6.17 USB Configuration .....	34
7. Headers .....	35
7.1 Application Headers.....	35
7.2 Microcontroller Pin Headers .....	40
8. Code Development.....	42

8.1	Overview .....	42
8.2	Compiler Restrictions .....	42
8.3	Mode Support .....	42
8.4	Debugging Support .....	42
8.5	Address Space .....	42
9.	Additional Information .....	43



## 1. Overview

### 1.1 Purpose

This RSK is an evaluation tool for Renesas microcontrollers. This manual describes the technical details of the RSK hardware. The Quick Start Guide and Tutorial Manual provide details of the software installation and debugging environment.

### 1.2 Features

This RSK provides an evaluation of the following features:

- Renesas microcontroller programming
- User code debugging
- User circuitry such as switches, LEDs and a potentiometer
- Sample application
- Sample peripheral device initialisation code

The RSK board contains all the circuitry required for microcontroller operation.

### 1.3 Board specification

Board specification was shown in **Table 1-1** below.

**Table 1-1: Board Specification**

Item	Specification
Microcontroller	Part No: R5F572TKCDFB
	Package: 144-pin LFQFP
	On-Chip Memory: ROM 1MB+32KB, RAM 128KB+16KB
On-Board Memory	I <sup>2</sup> C EEPROM: 2Kbit
Input Clock	RX72T Main: 8MHz
	RL78/G1C Main: 12MHz
Power Supply	DC Power Jack: 5 V Input
	Power Supply IC: 5V Input, 3.3V Output
Debug Interface	E1/E2 Lite 14-pin box header
DIP Switch	Mode Configuration: 2-pole x 1
Push Switch	Reset Switch x 1
	User Switch x 3
Potentiometer (for ADC)	Single-turn, 10kΩ
LED	Power indicator: green x 1
	User: green x 1, orange x 1, red x 2
CAN	Connector: 2.54mm pitch, 3-pin x 1
	CAN Driver x 1
LIN	Connector: 2.54mm pitch, 3-pin x 1 <sup>*1</sup>
	LIN Driver x 1
USB	USB0 Function: USB-MiniB
	USB0 Host: USB-TypeA
USB to Serial Converter Interface	Connector: USB-MiniB
	Driver: RL78/G1C Microcontroller (Part No R5F10JBCANA)
Pmod™	PMOD1: Angle type, 12-pin Connector
	PMOD2 <sup>*1</sup> : Straight type, 12-pin Connector
Application Board Interface <sup>*1</sup>	2.54 mm pitch, 26-pin x 2 (JA1, JA2), 50-pin x 1 (JA3), 24-pin x 2 (JA5, JA6)

\*1: The connector is not included to a product.

## 2. Power Supply

### 2.1 Requirements

This RSK is supplied with an E1 debugger or E2 Lite debugger. The debugger is able to power the RSK board with up to 200mA. When the RSK is connected to another system then that system should supply power to the RSK. This board has an optional centre positive supply connector using a 2.0mm barrel power jack.

Details of the external power supply requirements for the RSK, and configuration are shown in **Table 2-1** and **Table 2-2** below. The default RSK power configuration is shown in **bold, blue text**.

**Table 2-1: PWR connector Requirements**

Connector	Supply voltage
PWR	Input 5VDC

**Table 2-2: Main Power Supply Requirements**

J7 <sup>*1</sup> Setting	J8 Setting	J9 Setting	J12 Setting	Supply Source	VCC_USB	Board_VCC UC_VCC	Board_5V
<b>Open</b>	<b>2-3 Shorted</b>	<b>2-3 Shorted</b>	<b>1-2 Shorted</b>	<b>E2-Lite / E1(3.3V)</b>	<b>3.3V <sup>*4,5</sup></b>	<b>3.3V <sup>*3</sup></b>	<b>3.3V <sup>*7</sup></b>
Open	2-3 Shorted	1-2 Shorted	2-3 Shorted	E1(5V)	3.3V <sup>*4,5</sup>	5V <sup>*2</sup>	5V
Open	2-3 Shorted	2-3 Shorted	1-2 Shorted	E1(5V) / PWR / Unregulated_VCC / JA1-5V	5V <sup>*4,5,6</sup>	5V <sup>*2</sup>	5V
Open	1-2 Shorted	1-2 Shorted	1-2 or 2-3 Shorted	PWR / Unregulated_VCC / JA1-5V	3.3V <sup>*5</sup>	3.3V <sup>*3</sup>	5V
Open	2-3 Shorted	1-2 Shorted	2-3 Shorted	PWR / Unregulated_VCC / JA1-5V	3.3V <sup>*5</sup>	5V <sup>*2</sup>	5V
Shorted pin	1-2 Shorted	1-2 Shorted	1-2 or 2-3 Shorted	VBUS	3.3V <sup>*4,6</sup>	3.3V <sup>*3</sup>	5V
Shorted pin	2-3 Shorted	1-2 Shorted	2-3 Shorted	VBUS	3.3V <sup>*4,6</sup>	5V <sup>*2</sup>	5V

<sup>\*1</sup>: The connector is not included to a product.

<sup>\*2</sup>: 3.3V Pmod™ interface and Pmod™ LCD module cannot be used.

<sup>\*3</sup>: 5V Pmod™ interface and CAN, LIN cannot be used.

<sup>\*4</sup>: USB Host interface cannot be used.

<sup>\*5</sup>: USB Function interface (Bus-powered) cannot be used.

<sup>\*6</sup>: USB Function interface (Self-powered) cannot be used.

<sup>\*7</sup>: When 3.3 V is supplied from the emulator, Board\_5 V becomes 3.3 V voltage.

When using the function of 5 V, prepare an AC adapter. Suitable plugs are center plus, outer diameter 5.5 mm, inner diameter 2.1 mm.

The main power supply connected to PWR should supply a minimum of 5W to ensure full functionality.

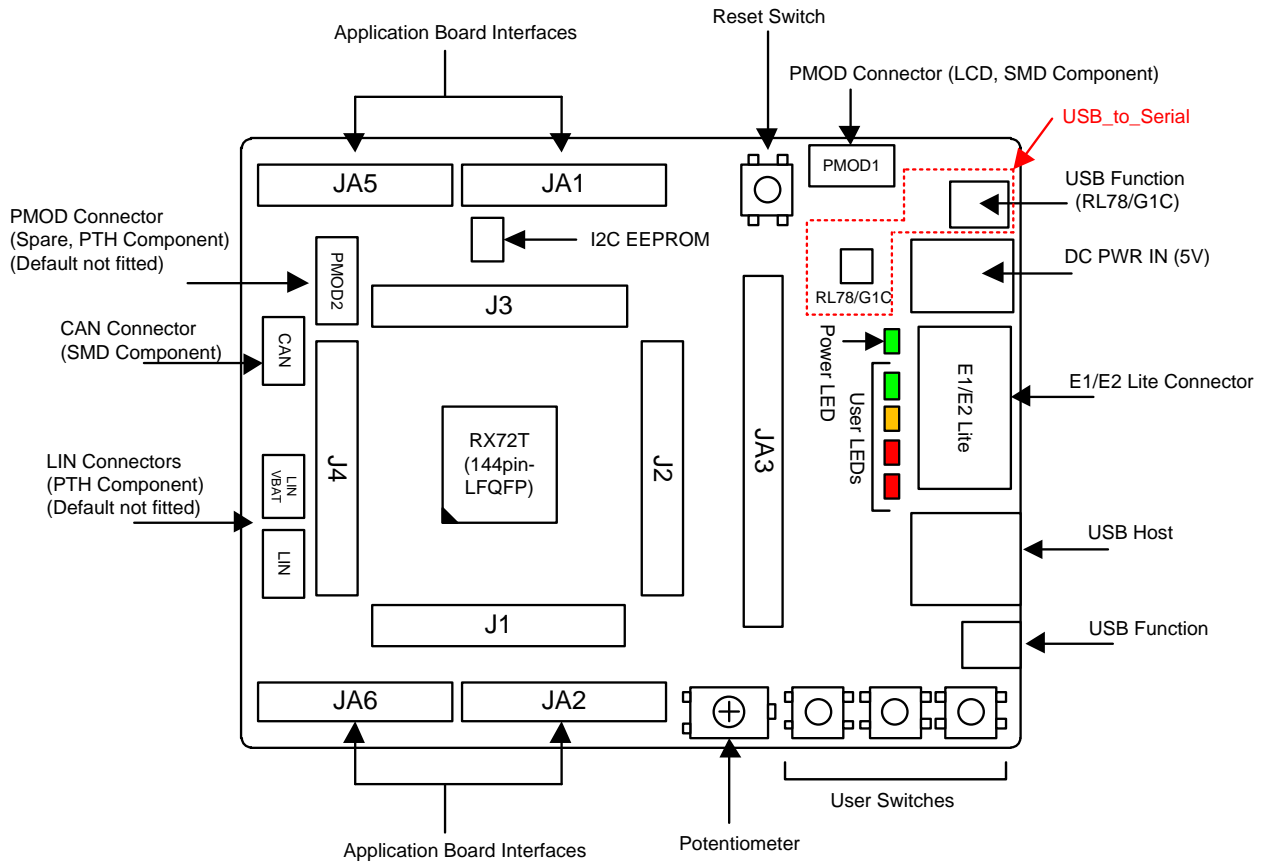
### 2.2 Power-Up Behaviour

When the RSK is purchased, the RSK board has the 'Release' build of the example tutorial software pre-programmed into the Renesas microcontroller. Please consult the 'Renesas Starter Kit Smart Configurator Tutorial Manual' for further information of this example.

### 3. Board Layout

#### 3.1 Component Layout

Figure 3-1 below shows the top component layout of the board.



\* J1 to J4 : 36-pin Micon Pin Headers

Figure 3-1: Board Layout

### 3.2 Board Dimensions

Figure 3-2 below gives the board dimensions and connector positions. All the through-hole connectors are on a common 2.54mm pitch grid for easy interfacing.

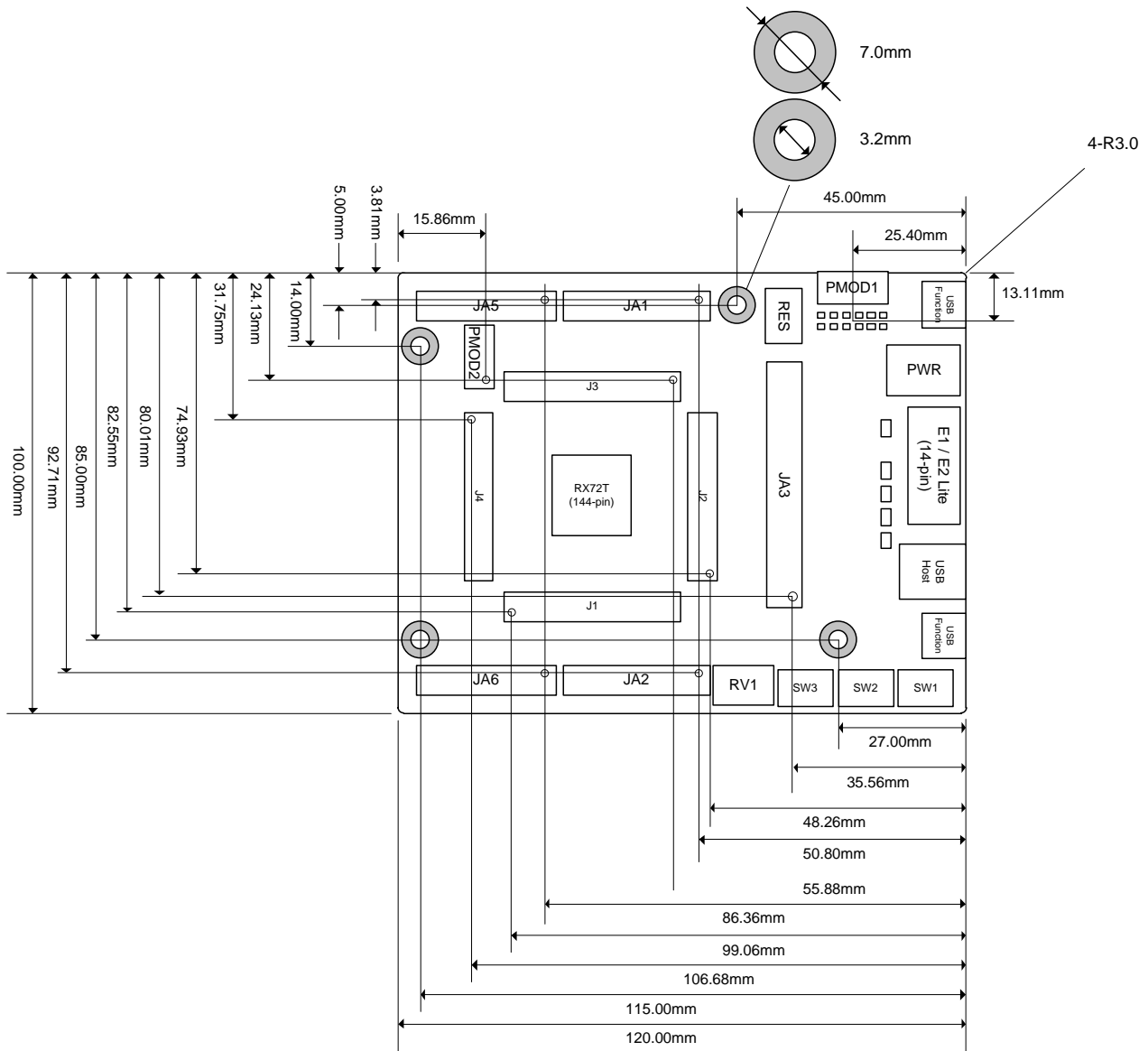


Figure 3-2: Board Dimensions

### 3.3 Component Placement

Figure 3-3 below shows placement of individual components on the top-side PCB – bottom-side component placement can be seen in Figure 3-4. Component types and values are shown on the board schematics.

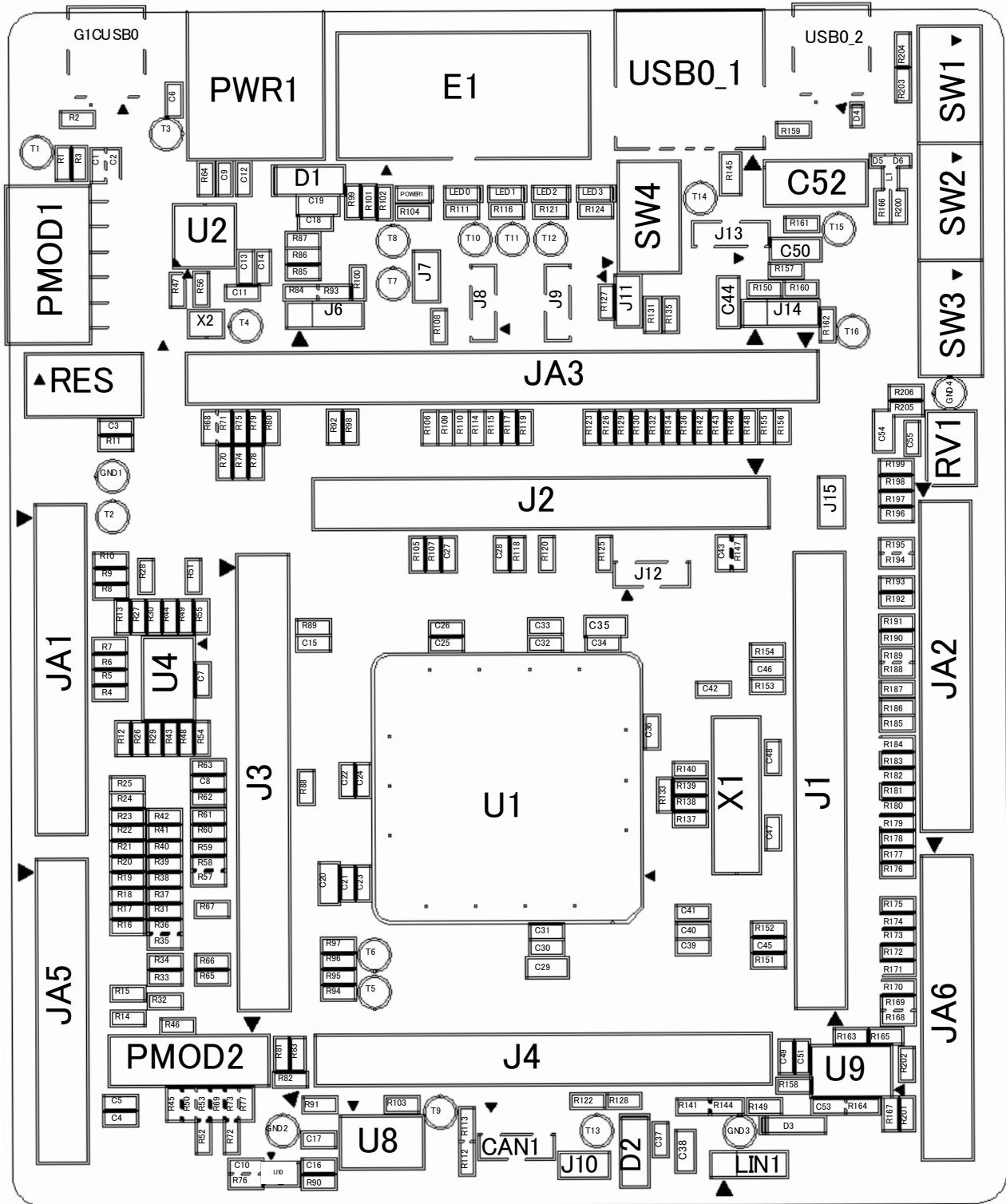


Figure 3-3: Top-Side Component Placement

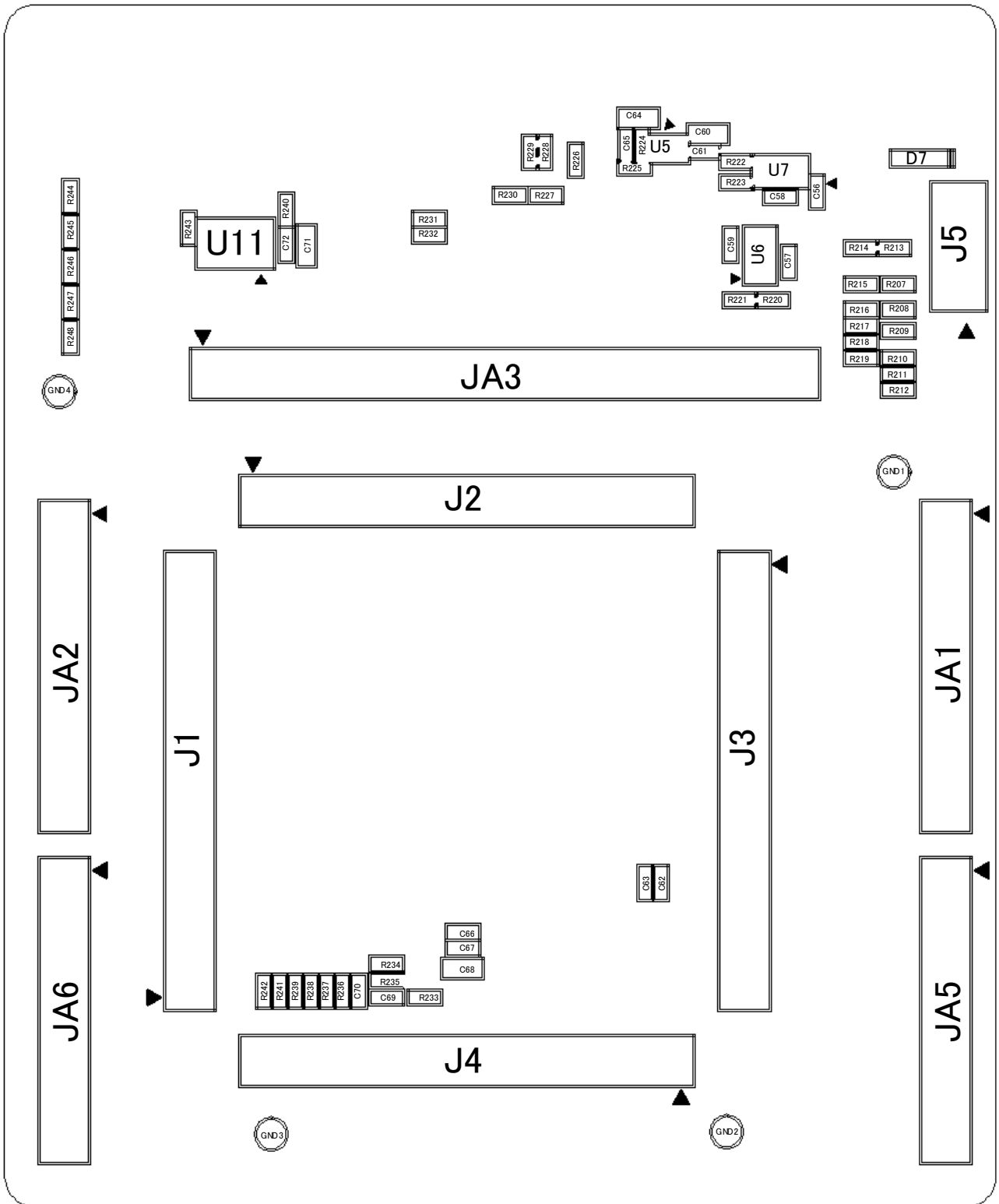


Figure 3-4: Bottom-Side Component Placement

## 4. Connectivity

### 4.1 Internal Board Connections

The diagram below shows the CPU board components and their connectivity to the MCU.

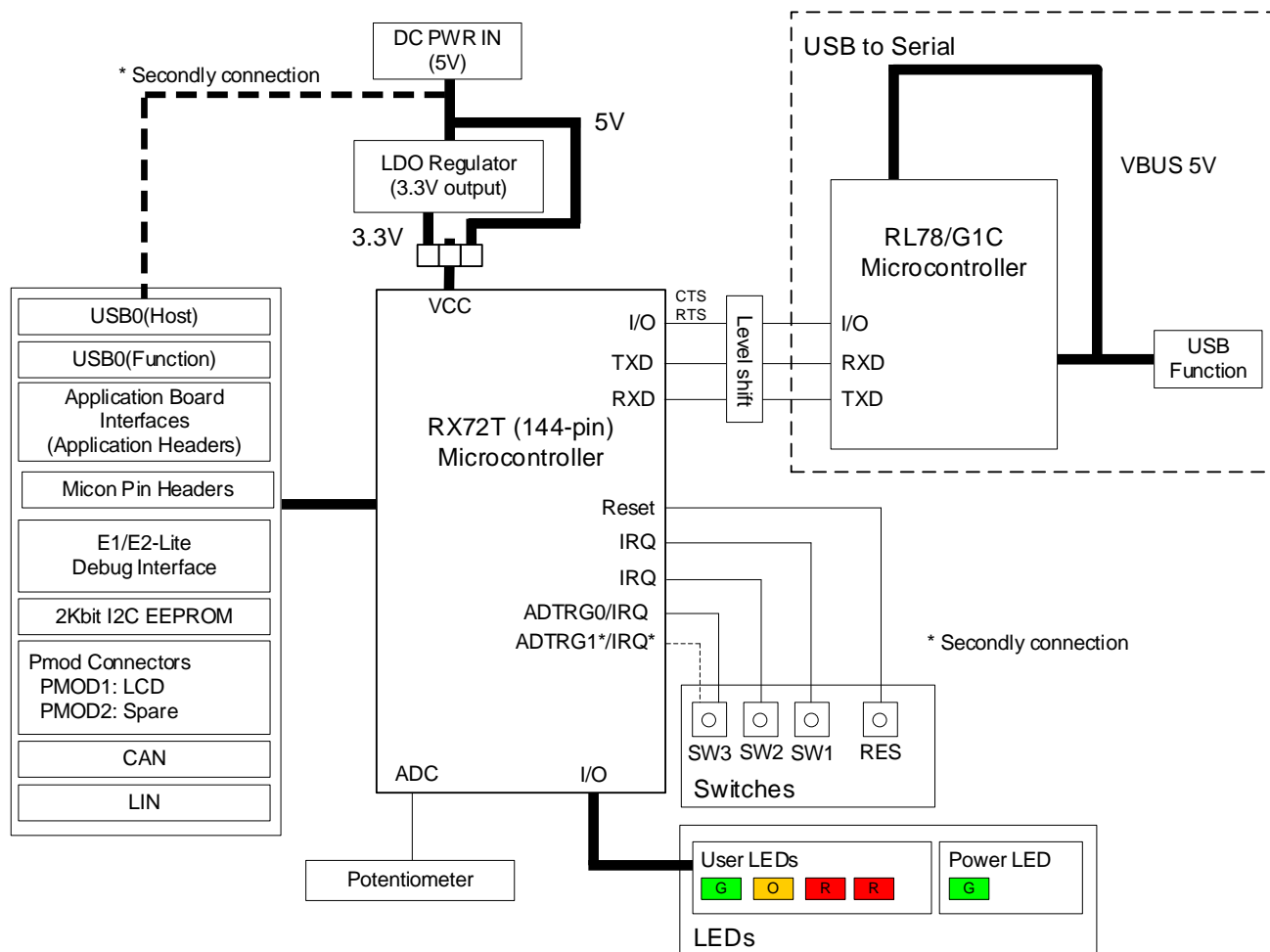


Figure 4-1: Internal Board Block Diagram



## 4.2 Debugger Connections

Figure 4-2 below shows the connections between the CPU board, E1/E2 Lite debugger and the host PC.

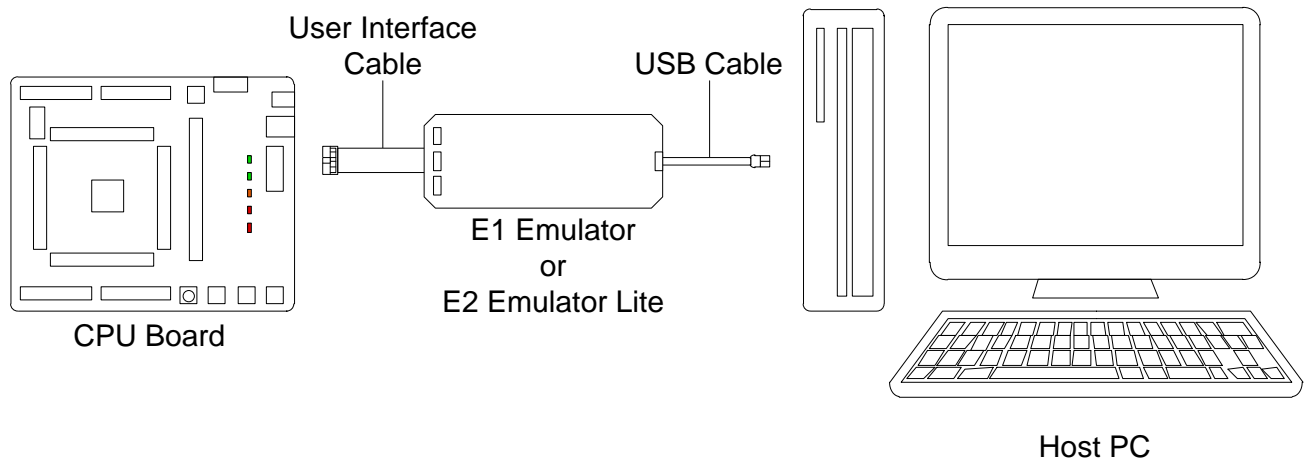


Figure 4-2: Debugger Connection Diagram

## 5. User Circuitry

### 5.1 Reset Circuit

A reset control circuit is fitted to the CPU board to generate the required reset signal, and is triggered from the RES switch. Refer to the RX72T Group User's Manual: Hardware for details regarding the reset signal timing requirements, and the CPU board schematics for information regarding the reset circuitry in use on the board.

### 5.2 Clock Circuit

A clock circuit is fitted to the CPU board to generate the required clock signal to drive the MCU, and associated peripherals. Refer to the RX72T Group Hardware Manual and the RL78/G1C hardware manual for details regarding the clock signal requirements, and the CPU board schematics for information regarding the clock circuitry in use on the CPU board. Details of the oscillators fitted to the board are listed in Table 5-1 below.

**Table 5-1: Crystal**

Crystal	Function	Default Placement	Frequency	Device Package
X1	Main MCU crystal for RX72T	Fitted	8MHz	Encapsulated, SMT
X2	Main MCU crystal for RL78/G1C	Fitted	12MHz	Encapsulated, SMT

### 5.3 Switches

There are four switches located on the CPU board. The function of each switch and its connection is shown in Table 5-2. For further information regarding switch connectivity, refer to the CPU board schematics.

**Table 5-2: Switch Connections**

Switch	Function	MCU	
		Signal (Port)	Pin
RES	When pressed, the microcontroller is reset.	RES#	15
SW1	Connects to an IRQ0_DS input for user controls.	P10	141
SW2	Connects to an IRQ9 input for user controls.	PB3	48
SW3	Connects to an IRQ7_DS input for user controls. Connects to an ADTRG0 input for ADC controls.	P20	101
	Connects to an IRQ6_DS input for user controls. Connects to an ADTRG1 input for ADC controls.	P21	100

### 5.4 LEDs

There are 5 LEDs on the CPU board. The function of each LED, its colour, and its connections are shown in Table 5-3.

**Table 5-3: LED Connections**

LED	Colour	Function	MCU	
			Port	Pin
POWER1	Green	Indicates the status of the Board_VCC power rail.	NC	NC
LED0	Green	User operated LED.	P54	112
LED1	Orange	User operated LED.	P55	111
LED2	Red	User operated LED.	P60	110
LED3	Red	User operated LED.	P61	109

### 5.5 Potentiometer

A single-turn potentiometer is connected as a potential divider to analog input AN000, pin 131. The potentiometer can be used to create a voltage between Board\_VCC and AVSS0. Refer to the maker site for specification of the potentiometer (VISHAY with part number TS53 series).

The potentiometer offers an easy method of supplying a variable analog input to the microcontroller. It does not necessarily reflect the accuracy of the controller's ADC. Refer to the RX72T Group User's Manual: Hardware for further details.

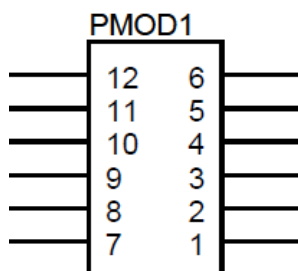
### 5.6 Pmod™

The CPU board are equipped with connectors for Digilent Pmod™ interface. Please connect the PMOD1 connector that is compatible with LCD module.

Care should be taken when installing the LCD module to ensure pins are not bent or damaged. The LCD module is vulnerable to electrostatic discharge (ESD); therefore appropriate ESD protection should be used.

The Digilent Pmod™ Compatible headers use an SPI interface. **Figure 5-1** below shows Digilent Pmod™ Compatible Header Pin Numbering. Connection information for the Digilent Pmod™ Compatible header is provided in **Table 5-4** and **Table 5-5** below.

Please note that the connector numbering adheres to the Digilent Pmod™ standard and is different from all other connectors on the RSK designs. Details can be found in the Digilent Pmod™ Interface Specification Revision: November 20, 2011.



**Figure 5-1: Digilent Pmod™ Compatible Header Pin Numbering**

**Table 5-4: Pmod™1 Header Connections**

Digilent Pmod™ Compatible Header Connections							
Pin	Circuit Net Name	MCU		Pin	Circuit Net Name	MCU	
		Port	Pin			Port	Pin
1	PMOD1-CS	PA2	57	7	PMOD1-IO0	PC6	62
2	PMOD1-MOSI	PB0	51	8	PMOD1-IO1	PC5	63
3	PMOD1-MISO	PA5	54	9	PMOD1-IO2	P25	94
4	PMOD1-SCK	PA4	55	10	PMOD1-IO3	P26	93
5	GROUND	-	-	11	GROUND	-	-
6	Board_VCC	-	-	12	Board_VCC	-	-

**Table 5-5: Pmod™2 Header Connections**

Digilent Pmod™ Compatible Header Connections							
Pin	Circuit Net Name	MCU		Pin	Circuit Net Name	MCU	
		Port	Pin			Port	Pin
1	PMOD2-CS	P24	95	7	PMOD2-IO0	PF0	34
2	PMOD2-MOSI	P23	96	8	PMOD2-IO1	PK0	85
3	PMOD2-MISO	P22	97	9	PMOD2-IO2	P63	107
4	PMOD2-SCK	P30	91	10	PMOD2-IO3	P62	108
5	GROUND	-	-	11	GROUND	-	-
6	Board_VCC	-	-	12	Board_VCC	-	-

### 5.7 USB Serial Port

A USB serial port is implemented in a Renesas low power microcontroller (RL78/G1C) and is connected to the RX72T Serial Communications Interface (SCI) module. Multiple options are provided to allow the selection of the connected SCI11 port. Connections between the USB to Serial converter and the microcontroller are listed in **Table 5-6** below.

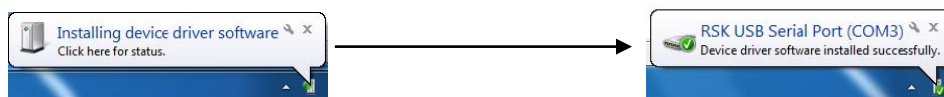
**Table 5-6: Serial Port Connections**

Signal Name	Function	MCU	
		Port	Pin
SERIAL-TXD	SCI1 Transmit Signal. <sup>*1</sup>	PD3	27
	SCI11 Transmit Signal.	PB5	41
	External RS232 Transmit Signal. <sup>*1</sup>	-	-
SERIAL-RXD	SCI1 Receive Signal. <sup>*1</sup>	PD5	25
	SCI11 Receive Signal.	PB6	40
	External RS232 Receive Signal. <sup>*1</sup>	-	-
SERIAL-CTS <sup>*2</sup>	Clear To Send.	PC3	99
SERIAL-RTS <sup>*2</sup>	Request To Send.	P31	89

<sup>\*1</sup>: This connection is a not available in the default RSK configuration - refer to §6 for the required modifications.

<sup>\*2</sup>: Flow control is a signal provided for expansion and is not currently supported. There is no schedule of function expansion at present.

When the CPU board is first connected to a PC running Windows™ with the USB/Serial connection, the PC will look for a driver. This driver is installed during the installation process, so the PC should be able to find it. The PC will report that it is installing for a driver and then report that a driver has been installed successfully, as shown in **Figure 5-2**. The exact messages may vary depending upon operating system.



**Figure 5-2: USB-Serial Windows™ Installation message**

If you do not have the driver, please download the driver installer from the following URL.

<https://www.renesas.com/en-eu/software/D6000699.html>

### 5.8 Controller Area Network (CAN)

A CAN transceiver IC is fitted to the CPU board, and connected to the CAN MCU peripheral. For further details regarding the CAN protocol and supported modes of operation, please refer to the RX72T Group User’s Manual: Hardware. The connections for the CAN microcontroller signals are listed in **Table 5-7** below.

**Table 5-7: CAN Connections**

CAN Signal	Function	MCU	
		Port	Pin
CAN1TX	CAN Data Transmission.	PA0	59
JA5-CAN1TX <sup>*1</sup>			
CAN1RX	CAN Data Reception.	PA1	58
JA5-CAN1RX <sup>*1</sup>			

<sup>\*1</sup>: This connection is a not available in the default RSK configuration - refer to §6 for the required modifications.

## 5.9 External Bus

The RX72T features an external data bus, which is connected to various devices on the CPU board. Details of the devices connected to the external data bus are listed in **Table 5-8** below. Further details of the devices connected to the external bus can be found in the board schematics.

**Table 5-8: External Bus Address Space**

Chip Select	Device Name	Device Description	Address Space
CS0(JA3-CSa)	JA3	Application Header	FFE00000h – FFFFFFFFh (2MByte)
CS1	-	Unused	07E00000h – 07FFFFFFh (2MByte)
CS2(JA3-CSc)	JA3	Application Header	06E00000h – 06FFFFFFh (2MByte)
CS3(JA3-CSb)	JA3	Application Header	05E00000h – 05FFFFFFh (2MByte)

## 5.10 I<sup>2</sup>C Bus (Inter-IC Bus)

The RX72T features one I<sup>2</sup>C (Inter-IC Bus) interface modules. RIIC0 is connected to a 2Kbit EEPROM. Specific details of the EEPROM device and the connections can be found in the board schematics.

## 5.11 Local-Interconnect Network (LIN)

A LIN transceiver IC is fitted to the CPU board, and connected to the LIN MCU peripheral. For further details regarding the LIN protocol and supported modes of operation, please refer to the RX72T Group User's Manual: Hardware. The connections for the LIN microcontroller signals are listed in **Table 5-9** below.

**Table 5-9: LIN Connections**

CAN Signal	Function	MCU	
		Port	Pin
LINTXD	LIN Data Transmission.	P23	96
LINRXD	LIN Data Reception.	P22	97
LINNSLP	LIN Transceiver Device Sleep Control.	P24	95

## 5.12 Universal Serial Bus (USB)

This CPU board is fitted with a USB Host socket (type A) and a Function socket (type Mini B). USB module USB0 is connected to the Host and Function socket, and can operate as either a Host or Function device. The connection for the USB0 module is shown in **Table 5-10** below.

**Table 5-10: USB0**

USB Signal	Function	MCU	
		Port	Pin
USB0-DP	D+ I/O pin of the USB on-chip transceiver	USB0-DP	36
USB0-DM	D- I/O pin of the USB on-chip transceiver	USB0-DM	35
USB0-VBUS	USB cable connection monitor pin	PD2	28
USB0-VBUSEN	VBUS (5V) supply enable signal for external power supply chip	PC1	46
USB0-OVRCURA	External overcurrent detection signals	PC2	45

## 6. Configuration

### 6.1 Modifying the RSK

This section lists the option links that are used to modify the way CPU board operates in order to access different configurations. Configurations are made by modifying link resistors or headers with movable jumpers or by configuration DIP switches

A link resistor is a 0Ω surface mount resistor, which is used to short or isolate parts of a circuit. Option links are listed in the following sections, detailing their function when fitted or removed. **Bold, blue text** indicates the default configuration that the CPU board is supplied with. Refer to the component placement diagram (§3) to locate the option links, jumpers and DIP switches.

When removing soldered components, always ensure that the CPU board is not exposed to a soldering iron for intervals greater than 5 seconds. This is to avoid damage to nearby components mounted on the board.

When modifying a link resistor, always check the related option links to ensure there is no possible signal contention or short circuits. Because many of the MCU's pins are multiplexed, some of the peripherals must be used exclusively. Refer to the RX72T Group User's Manual: Hardware and CPU board schematics for further information.

### 6.2 MCU Operating Modes

**Table 6-1** below details the option links associated with configuring the MCU Operating Modes.

**Table 6-1: MCU Operating Modes Switch Settings (SW4)**

Reference	Pin1	Pin2	Explanation	Related Ref.
SW4	<b>OFF</b>	<b>OFF(don't care)</b>	<b>Single Chip Mode</b>	
	ON	OFF	User Boot Mode	<a href="#">R126</a>
	ON	ON	SCI Boot Mode	<a href="#">R126</a>

### 6.3 E1/E2 Lite Debugger Configuration

Table 6-2 below details the function of the option links associated with E1/E2 Lite Debugger Configuration.

**Table 6-2: E1/E2 Lite Debugger Configuration Option Links**

Signal name	MCU		MCU Peripheral Selection			Destination Selection		
	Pin	Port	Signal	Fit	DNF	Interface /Function	Fit	DNF
P00	9	P00	E1-UB	R126, R24	R129	E1/E2 Lite.10	-	-
			DSW-UB			SW4.2	-	-
			JA1-IRQd_M2HSIN0	R126, R24	R129	JA1.23	-	-
			JA3-A11	R129	R126, R24	JA3.12	-	-
PD7	23	PD7	E1-TRSTn	-	-	E1/E2 Lite.3	-	-
PD6	24	PD6	E1-TMS	-	-	E1/E2 Lite.9	-	-
PD5	25	PD5	E1-TDI_RXD	R231	R194, R172	E1/E2 Lite.11	-	-
			SERIAL-RXD	R194	R231, R172	U7.3	-	R195, R175
			JA6-RXDb	R172	R231, R194	JA6.7	-	-
PD4	26	PD4	E1-TCK_FINEC	R101, R154	R99	E1/E2 Lite.1	-	-
			JA6-SCKb	R99, R154	R101	JA6.10	-	-
PD3	27	PD3	E1-TDO_TXD	R230	R142, R173	E1/E2 Lite.5	-	-
			SERIAL-TXD	R142	R230, R173	U6.3	-	R143, R174
			JA6-TXDb	R173	R230, R142	JA6.8	-	-
RESn	15	-	E1-RESn	-	-	E1/E2 Lite.13	-	-
			SW-RESn	-	-	RES1(Switch)	-	-
			JA2-RESn	-	-	JA2.1	-	-
EMLE	7	-	E1-EMLE	-	-	E1/E2 Lite.4	-	-
			JP-EMLE	-	-	J6.2	R93	-
MD_FINED	11	-	E1-MD_FINED	-	-	E1/E2 Lite.7	-	-
			DSW-MD_FINED	-	-	SW4.1	-	-

Table 6-3 below details the function of the jumpers associated with the E1/E2 Lite Debugger.

**Table 6-3: E1/E2 Lite Debugger Configuration Jumper Settings**

Reference	Jumper Position	Explanation	Related Ref.
J11(DNF) *1	Shorted Pin1-2	Enable E1/E2 Lite debugging with Hot plug-in function.	-
	Shorted Pin2-3	Enable E1/E2 Lite normal debugging and MCU single operation (without E1/E2 Lite).	R93
	All open	DO NOT SET.	-

\*1: Jumper J11 is not fitted on the default CPU board. Same as Jumper Position “Shorted pin2-3” setting by resistor R93.

## 6.4 Power Supply Configuration

Table 6-4 below details the function of the jumpers associated with the Power Supply Configuration.

**Table 6-4: Power Supply Configuration Jumper Settings**

Reference	Jumper Position	Explanation	Related Ref.
J7(DNF) *1	Shorted	VBUS0 power rail to Board_5V.	U5
	Open	Disconnects VBUS0 power rail from Board_5V.	
J8 *2	Shorted Pin1-2	Board_3V3 power rail to Board_VCC.	J9
	Shorted Pin2-3 *4	Board_5V power rail to Board_VCC.	
	All Open	DO NOT SET.	
J9 *2	Shorted Pin1-2	Regulator output(3.3V) to Board_3V3.	
	Shorted Pin2-3 *3	Disconnects regulator output(3.3V) from Board_3V3.	
	All Open	Disconnects regulator output(3.3V) from Board_3V3.	
J11(DNF) *5	Shorted	Board_VCC power rail to UC_VCC.	R127
	Open	Enable current probe for measurement MCU current consumption.	
J12	Shorted Pin1-2	The operating voltage of VCC_USB is set to the same as the operating voltage of the MCU	
	Shorted Pin2-3	Operating voltage of VCC_USB is fixed at 3.3 V	
	All open	Please do not set	

\*1: Jumper J7 is not fitted on the default CPU board.

\*2: Same as Jumper Position "Shorted pin2-3" setting by jumper block.

\*3: When the 3.3 V power supply source is the E1 / E2 Lite emulator or JA1-3V3, be sure to release it.

\*4: When 5V power supply source is the E1 emulator, be sure to short Pin 2-3.

\*5: Jumper J11 is not fitted on the default CPU board. Same as Jumper Position "Shorted" setting by resistor R127.

Table 6-5 below details the function of the option links associated with Power Supply Configuration.

**Table 6-5: Power Supply Configuration Option Links**

Reference	Explanation	Fit	DNF	Related Ref.
PWR	Connects PWR power rail to Board_5V.	-	-	U5, R141, J8, Simple IIC pull-up resistor
JA1-5V	Connects JA1-5V power rail to Board_5V.	R85	-	U5, R141, J8, Simple IIC pull-up resistor
	Disconnects JA1-5V power rail from Board_5V.	-	R85	
USB_5V	Connects USB_5V power rail to Board_5V.	R87	-	U5, R141, J8, Simple IIC pull-up resistor
	Disconnects USB_5V power rail from Board_5V.	-	R87	
Unregulated_VCC	Connects Unregulated_VCC power rail to Board_5V.	R86	-	U5, R141, J8, Simple IIC pull-up resistor
	Disconnects Unregulated_VCC power rail from Board_5V.	-	R86	
JA1-3V3	Connects JA1-3V3 power rail to Board_3V3.	R108	-	J9, J8
	Disconnects JA1-3V3 power rail from Board_3V3.	-	R108	
Board_VCC	Connects Board_VCC power rail to UC_VCC.	J11(Short) or R127	-	U1, R97, R95
	Enable current probe for measurement MCU current consumption.	-	J11(Open), R127	
U5.VOUT	Connects Regulator output to Board_3V3.	J9(1-2 Short)	-	J9
	Disconnects Regulator output from Board_3V3.	-	J9(1-2 Short), J9(Open)	
Board_5V	Connects Board_5V power rail to VBAT.	R141	-	J10
	Disconnects Board_5V power rail from VBAT.	-	R141	



## 6.5 Clock Configuration

Table 6-6 below details the function of the option links associated with Clock Configuration.

**Table 6-6: Clock Configuration Option Links**

Reference	Explanation	Fit	DNF	Related Ref.
XTAL, EXTAL	Connects 8MHz crystal (X1) to RX72T.	R138, R139	R137, R140	U1.16, U1.18
	Connects JA2-EXTAL to RX72T.	R140	R138, R139	U1.18

## 6.6 Analog Power & ADC & DAC Configuration

Table 6-7 below details the function of the option links associated with Analog Power & ADC & DAC Configuration.

**Table 6-7: Analog Power & ADC & DAC Configuration Option Links**

Signal name	MCU		MCU Peripheral Selection			Destination Selection		
	Pin	Port	Signal	Fit	DNF	Interface /Function	Fit	DNF
P21	100	P21	SW3	R247	R248	SW3	-	-
			JA1-ADTRG	R8	R9	JA1.8	-	-
P20	101	P20	SW3	R248	R247	SW3	-	-
			JA1-ADTRG	R9	R8	JA1.8	-	-
JA5-ADC6	121	P46	JA5-ADC6	-	-	JA5.3	-	-
JA5-ADC5	122	P45	JA5-ADC5	-	-	JA5.2	-	-
JA5-ADC4	123	P44	JA5-ADC4	-	-	JA5.1	-	-
JA1-ADC2	129	P42	JA1-ADC2	-	-	JA1.11	-	-
JA1-ADC1	130	P41	JA1-ADC1	-	-	JA1.10	-	-
P40	131	P40	RV1-ADC	R235	R234	RV1(Board_VCC)	R206	R205
			JA1-ADC0	R234	R235	RV1(AVCC0-2)	R205	R206
			JA1.9					
P65	102	P65	JA1-DAC1	-	-	JA1.14	-	-
P64	103	P64	JA1-DAC0	-	-	JA1.13	-	-
JA5-ADC7	124	PH4	JA5-ADC7	-	-	JA5.4	-	-
JA1-ADC3	132	PH0	JA1-ADC3	-	-	JA1.12	-	-
AVCC0-2	134,133, 104,105	-	UC_VCC	R97	R96	-	-	-
			JA1-AVCC	R96	R97	JA1.5	-	-
AVSS0-2	135,136,106	-	GROUND	R95	R94	-	-	-
			JA1-AVSS	R94	R95	JA1.6	-	-

### 6.7 BUS Configuration

Table 6-8 and Table 6-9 below details the function of the option links associated with BUS Configuration.

**Table 6-8: BUS Configuration Option Links (1)**

Signal name	MCU		MCU Peripheral Selection			Destination Selection		
	Pi/n	Po/t	Signal	Fit	DNF	Interface /Function	Fit	DNF
P01	12	P01	JA5-M2HSIN2	R35	R123	JA5.10	-	-
			JA3-A10	R123	R35	JA3.11	-	-
P00	9	P00	E1-UB	R126, R24	R129	E1/E2 Lite.10	-	-
			DSW-UB			SW4.2	-	-
			JA1-IRQd_M2HSINO	R126, R24	R129	JA1.23	-	-
			JA3-A11	R129	R126, R24	JA3.12	-	-
P27	92	P27	JA2-M1ENC	R60	R61	JA2.23	R183	R182
			JA3-CSb	R61	R60	JA3.28	-	-
JA3-A13	60	P35	JA3-A13	-	-	JA3.14	-	-
JA3-A12	61	P34	JA3-A12	-	-	JA3.13	-	-
P33	86	P33	JA2-M1TRCCLK	R178	R179	JA2.25	-	-
			JA3-D7	R179	R178	JA3.24	-	-
P32	87	P32	JA2-M1TRDCLK	R177	R176	JA2.26	-	-
			JA3-D8	R176	R177	JA3.29	-	-
P31	89	P31	JA3-D9	R109	R106	JA3.30	-	-
			SERIAL-RTS	R106	R109	U6.2	-	-
P30	91	P30	JA3-D10	R63, R88	R62	JA3.31	-	-
			PMOD2-SCK	R62, R88	R63	PMOD2.4	-	-
JA3-D0	73	P76	JA3-D0	-	-	JA3.17	-	-
JA3-D1	74	P75	JA3-D1	-	-	JA3.18	-	-
JA3-D2	75	P74	JA3-D2	-	-	JA3.19	-	-
JA3-D3	76	P73	JA3-D3	-	-	JA3.20	-	-
JA3-D4	77	P72	JA3-D4	-	-	JA3.21	-	-
JA3-D5	78	P71	JA3-D5	-	-	JA3.22	-	-
P70	79	P70	JA2-M1POE	R180, R89	R119	JA2.24	-	-
			JA3-D6	R119, R89	R180	JA3.23	-	-
P82	137	P82	JA5-M2UIN	R238, R236	R239, R241, R237, R242	JA5.12	-	-
			JA3-ALE	R239, R236	R238, R241, R237, R242	JA3.46	-	-
			JA3-WAIT	R241, R236	R238, R239, R237, R242	JA3.45	R75	R79
			JA6-M1UIN	R237, R236	R238, R239, R241, R242	JA6.14	-	-
			JA6-SCKc	R242, R236	R238, R239, R241, R237	JA6.11	-	-
P81	138	P81	JA5-M2VIN	R16	R80, R168	JA5.13	-	-
			JA3-CSc	R80	R16, R168	JA3.45	R79	R75
			JA6-M1VIN	R168	R16, R80	JA6.15	-	-
JA3-A15	52	PA7	JA3-A15	-	-	JA3.16	-	-
JA3-A14	53	PA6	JA3-A14	-	-	JA3.15	-	-
PA2	57	PA2	PMOD1-CS	R212	R155	PMOD1.1	-	-
			JA3-A0	R155	R212	JA3.1	-	-
PB7	39	PB7	JA2-SCKa	R192, R147	R193	JA2.10	-	-
			JA3-A4	R193, R147	R192	JA3.15	-	-
PB6	40	PB6	SERIAL-RXD	R195, R198	R148	U7.3	-	R194, R175
			JA2-RXDa	R195, R198	R148	JA2.8	-	-
			JA3-A3	R148	R195, R198	JA3.4	-	-
PB5	41	PB5	SERIAL-TXD	R143, R199	R146	U6.3	-	R142, R174
			JA2-TXDa	R199, R143	R146	JA2.6	-	-
			JA3-A2	R146	R143, R199	JA3.3	-	-
PB4	43	PB4	JA2-CTSaRTSa	R188	R156	JA2.12	-	-
			JA3-A1	R156	R188	JA3.2	-	-
JA3-A20		PC4	JA3-A20	-	-	JA3.41	-	-
PC1	46	PC1	USB0-VBUSEN	R98	R92	U11.4	-	-
			JA3-A16	R92	R98	JA3.37	-	-
JA3-CSa	47	PC0	JA3-CSa	-	-	JA3.27	-	-

**Table 6-9: BUS Configuration Option Links (2)**

Signal name	MCU		MCU Peripheral Selection			Destination Selection		
	Pin	Port	Signal	Fit	DNF	Interface /Function	Fit	DNF
PD2	28	PD2	USB0-VBUS	R132	R134	USB0_1.1, USB0_2.1	J14 (2-3 short) or R162	-
			JA3-A7	R134	R132	JA3.8	-	-
PD1	29	PD1	JA2-TIMOUT1	R186	R130	JA2.20	-	-
			JA3-A6	R130	R186	JA3.7	-	-
PD0	30	PD0	JA2-TIMIN1	R184	R136	JA2.22	-	-
			JA3-A5	R136	R184	JA3.6	-	-
JA3-RDn	4	PE6	JA3-RDn	-	-	JA3.25	-	-
JA3-BCLK	5	PE5	JA3-BCLK	-	-	JA3.44	-	-
PE4	13	PE4	JA5-M2TRCCLK	R34	R66	JA5.17	-	-
			JA3-A9	R66	R34	JA3.10	-	-
PE3	14	PE3	JA5-M2TRDCLK	R33	R65	JA5.18	-	-
			JA3-A8	R65	R33	JA3.9	-	-
PE1	21	PE1	JA3-WRLn	R68	R115	JA3.48	-	-
			JA3-WRn	R115	R68	JA3.26	-	-
JA3-WRHn	22	PE0	JA3-WRHn	-	-	JA3.47	-	-
JA3-A19	31	PF3	JA3-A19	-	-	JA3.40	-	-
JA3-A18	32	PF2	JA3-A18	-	-	JA3.39	-	-
JA3-A17	33	PF1	JA3-A17	-	-	JA3.38	-	-
JA3-D11	80	PG2	JA3-D11	-	-	JA3.32	-	-
JA3-D12	81	PG1	JA3-D12	-	-	JA3.33	-	-
JA3-D13	82	PG0	JA3-D13	-	-	JA3.34	-	-
JA3-D14	83	PK2	JA3-D14	-	-	JA3.35	-	-
JA3-D15	84	PK1	JA3-D15	-	-	JA3.36	-	-

## 6.8 CAN Configuration

Table 6-10 below details the function of the option links associated with CAN Configuration.

**Table 6-10: CAN Configuration Option Links**

Signal name	MCU		MCU Peripheral Selection			Destination Selection		
	Pin	Port	Signal	Fit	DNF	Interface /Function	Fit	DNF
PA1	58	PA1	CAN1RX	R76	R19, R38	U10.3	-	-
			JA5-CAN1RX	R19	R76, R38	JA5.15	-	-
			JA5-M2TOGGLE	R38	R76, R19	JA5.6	-	-
PA0	59	PA0	CAN1TX	R91	R57	U8.1	-	-
			JA5-CAN1TX	R57	R91	JA5.5	-	-

## 6.9 General IO & LED Configuration

Table 6-11 below details the function of the option links associated with General IO & LED Configuration.

**Table 6-11: General IO & LED Configuration Option Links**

Signal name	MCU		MCU Peripheral Selection			Destination Selection		
	Pin	Port	Signal	Fit	DNF	Interface /Function	Fit	DNF
LED1	111	P55	LED1	-	-	LED1.K	R228	-
LED0	112	P54	LED0	-	-	LED0.K	R228	-
JA1-IO7	115	P51	JA1-IO7	-	-	-	-	-
JA1-IO6	116	P50	JA1-IO6	-	-	-	-	-
LED3	109	P61	LED3	-	-	LED3.K	R228	-
LED2	110	P60	LED2	-	-	LED2.K	R228	-
JA1-IO5	117	PH7	JA1-IO5	-	-	-	-	-
JA1-IO4	118	PH6	JA1-IO4	-	-	-	-	-
JA1-IO3	119	PH5	JA1-IO3	-	-	-	-	-
JA1-IO2	125	PH3	JA1-IO2	-	-	-	-	-
JA1-IO1	126	PH2	JA1-IO1	-	-	-	-	-
JA1-IO0	127	PH1	JA1-IO0	-	-	-	-	-

## 6.10 I2C & EEPROM Configuration

Table 6-12 and Table 6-13 below detail the function of the option links associated with I2C & EEPROM Configuration.

**Table 6-12: I2C & EEPROM Configuration Option Links (1)**

Signal name	MCU		MCU Peripheral Selection			Destination Selection		
	Pin	Port	Signal	Fit	DNF	Interface /Function	Fit	DNF
PB2	49	PB2	E2P-SDA	-	-	U4.5	-	-
			JA1-SDA	-	-	JA1.25	-	-
PB1	50	PB1	E2P-SCL	R189	R190	U4.6	-	-
			JA1-SCL	R189	R190	JA1.26	-	-
			JA2-IRQb_M1HSIN1	R190	R189	JA2.9	-	-

**Table 6-13: I2C & EEPROM Configuration Option Links (2)**

Reference	Explanation	Fit	DNF	Related Ref.
SDA, SCL	Connects pull-up resistor to Board_3V3.	R28	R51	U4
	Connects pull-up resistor to Board_5V.	R51	R28	U4
WP	EEPROM Write protect.	R48	-	U4
A0, A1, A2	Device address (0xA6).	R49, R44, R13	R27, R30, R55	U4
	Device address (0xA4).	R55, R44, R13	R27, R30, R49	U4

### 6.11 IRQ & Switch Configuration

Table 6-14 below details the function of the option links associated with IRQ & Switch Configuration.

**Table 6-14: IRQ & Switch Configuration Option Links**

Signal name	MCU		MCU Peripheral Selection			Destination Selection		
	Pin	Port	Signal	Fit	DNF	Interface /Function	Fit	DNF
P00	9	P00	E1-UB	R126, R24	R129	E1/E2 Lite.10	-	-
			DSW-UB			SW4.2	-	-
			JA1-IRQd_M2HSIN0	R126, R24	R129	JA1.23	-	-
			JA3-A11	R129	R126, R24	JA3.12	-	-
P10	141	P10	SW1	R203, R67	-	SW1	-	-
			JA5-IRQe_M2HSIN1	R203, R67	-	JA5.9	R17	R18
P21	100	P21	SW3	R247	R248	SW3	-	-
			JA1-ADTRG	R8	R9	JA1.8	-	-
P20	101	P20	SW3	R248	R247	SW3	-	-
			JA1-ADTRG	R9	R8	JA1.8	-	-
PB3	48	PB3	SW2	R245	-	SW2	-	-
			JA2-IRQa_M1HSIN0	R197	-	JA2.7	-	-
PB1	50	PB1	E2P-SCL	R189	R190	U4.6	-	-
			JA1-SCL	R189	R190	JA1.26	-	-
			JA2-IRQb_M1HSIN1	R190	R189	JA2.9	-	-
PB0	51	PB0	PMOD1-MOSI	R217	R218	PMOD1.2	-	-
			JA2-IRQc_M1HSIN2	R218	R217	JA2.23	R182	R183
PMOD1-IO0	62	PC6	PMOD1-IO0	-	-	PMOD1.7	-	-
PMOD1-IO1	63	PC5	PMOD1-IO1	-	-	PMOD1.8	-	-
SERIAL-CTS	99	PC3	SERIAL-CTS	-	-	U7.2	-	-
PE2	20	PE2	JA2-NMIn	-	-	JA2.3	-	-
			JP-UPSEL	-	-	J15.2	-	-
PMOD2-IO0	34	PF0	PMOD2-IO0	-	-	PMOD2.7	-	-
PMOD2-IO1	85	PK0	PMOD2-IO1	-	-	PMOD2.8	-	-
RESn	10	-	E1-RESn	-	-	E1/E2 Lite.13	-	-
			SW-RESn	-	-	RES1(Switch)	-	-
			JA2-RESn	-	-	JA2.1	-	-
MD_FINED	11	-	E1-MD_FINED	-	-	E1/E2 Lite.7	-	-
			DSW-MD_FINED	-	-	SW4.1	-	-

### 6.12 LIN Configuration

Table 6-15 and Table 6-16 below details the function of the option links associated with LIN Configuration.

**Table 6-15: LIN Configuration Option Links (1)**

Signal name	MCU		MCU Peripheral Selection			Destination Selection		
	Pin	Port	Signal	Fit	DNF	Interface /Function	Fit	DNF
P24	95	P24	LINNSLP	R202	R83	U9.2	-	-
			PMOD2-CS	R83	R202	PMOD2.1	-	-
P23	96	P23	LINTXD	R165	R171, R72	U9.4	-	-
			JA6-TXDc	R171	R165, R72	JA6.9	-	-
			PMOD2-MOSI	R72	R165, R171	PMOD2.2	-	-
P22	97	P22	LINRXD	R167	R170, R52	U9.1	-	-
			JA6-RXDc	R170	R167, R52	JA6.12	-	-
			PMOD2-MISO	R52	R167, R170	PMOD2.3	-	-

**Table 6-16: LIN Configuration Option Links (2)**

Reference	Explanation	Fit	DNF	Related Ref.
U9.6	Master	R144, R149	-	U9
	Slave	-	R144, R149	U9

### 6.13 MTU & POE Configuration

Table 6-17 and Table 6-18 below details the function of the option links associated with MTU & POE Configuration.

**Table 6-17: MTU & POE Configuration Option Links (1)**

Signal name	MCU		MCU Peripheral Selection			Destination Selection		
	Pin	Port	Signal	Fit	DNF	Interface /Function	Fit	DNF
P01	12	P01	JA5-M2HSIN2	R35	R123	JA5.10	-	-
			JA3-A10	R123	R35	JA3.11	-	-
P00	9	P00	E1-UB	R126, R24	R129	E1/E2 Lite.10	-	-
			DSW-UB			SW4.2	-	-
			JA1-IRQd_M2HSIN0	R126, R24	R129	JA1.23	-	-
			JA3-A11	R129	R126, R24	JA3.12	-	-
P11	140	P11	JA6-M1TOGGLE	-	-	JA6.13	-	-
P10	141	P10	SW1	R203, R67	-	SW1	-	-
			JA5-IRQe_M2HSIN1	R203, R67	-	JA5.9	R17	R18
P12	3	P12	JA2-M1UP	-	-	JA2.13	-	-
P13	2	P13	JA2-M1VP	-	-	JA2.15	-	-
P14	1	P14	JA2-M1WP	-	-	JA2.17	-	-
P15	144	P15	JA2-M1UN	-	-	JA2.14	-	-
P16	143	P16	JA2-M1VN	-	-	JA2.16	-	-
P17	142	P17	JA2-M1WN	-	-	JA2.18	-	-
P27	92	P27	JA2-M1ENC	R60	R61	JA2.23	R183	R182
			JA3-CSb	R61	R60	JA3.28	-	-
P33	86	P33	JA2-M1TRCCLK	R178	R179	JA2.25	-	-
			JA3-D7	R179	R178	JA3.24	-	-
P32	87	P32	JA2-M1TRDCLK	R177	R176	JA2.26	-	-
			JA3-D8	R176	R177	JA3.29	-	-
P53	113	P53	JA2-M1UD	-	-	JA2.11	-	-
P52	114	P52	JA5-M2UD	-	-	JA5.11	-	-
P70	79	P70	JA2-M1POE	R180, R89	R119	JA2.24	-	-
			JA3-D6	R119, R89	R180	JA3.23	-	-
P82	137	P82	JA5-M2UIN	R238, R236	R239, R241, R237, R242	JA5.12		
			JA3-ALE	R239, R236	R238, R241, R237, R242	JA3.46		
			JA3-WAIT	R241, R236	R238, R239, R237, R242	JA3.45	R75	R79
			JA6-M1UIN	R237, R236	R238, R239, R241, R242	JA6.14		
			JA6-SCKc	R242, R236	R238, R239, R241, R237	JA6.11		

Table 6-18: MTU &amp; POE Configuration Option Links (2)

Signal name	MCU		MCU Peripheral Selection			Destination Selection		
	Pin	Port	Signal	Fit	DNF	Interface /Function	Fit	DNF
P81	138	P81	JA5-M2VIN	R16	R80, R168	JA5.13	-	-
			JA3-CSc	R80	R16, R168	JA3.45	R79	R75
			JA6-M1VIN	R168	R16, R80	JA6.15	-	-
P80	139	P80	JA5-M2WIN	R15	R169	JA5.14	-	-
			JA6-M1WIN	R169	R15	JA6.16	-	-
P96	65	P96	JA5-M2POE	R107	-	JA5.16	-	-
P95	67	P95	JA5-M2UP	-	-	JA5.19	-	-
P94	68	P94	JA5-M2VP	-	-	JA5.21	-	-
P93	69	P93	JA5-M2WP	-	-	JA5.23	-	-
P92	70	P92	JA5-M2UN	R32	R187	JA5.20	-	-
			JA2-TIMOUT0	R187	R32	JA2.19	-	-
P91	71	P91	JA5-M2VN	R14	R185	JA5.22	-	-
			JA2-TIMINO	R185	R14	JA2.21	-	-
JA5-M2WN	72	P90	JA5-M2WN	-	-	JA5.24	-	-
JA5-M2ENC	56	PA3	JA5-M2ENC	-	-	JA5.9	R18	R17
PA1	58	PA1	CAN1RX	R76	R19, R38	U10.3	-	-
			JA5-CAN1RX	R19	R76, R38	JA5.15	-	-
			JA5-M2TOGGLE	R38	R76, R19	JA5.6	-	-
PB3	48	PB3	SW2	R245	-	SW2	-	-
			JA2-IRQa_M1HSIN0	R197	-	JA2.7	-	-
PB1	50	PB1	E2P-SCL	R189	R190	U4.6	-	-
			JA1-SCL	R189	R190	JA1.26	-	-
			JA2-IRQb_M1HSIN1	R190	R189	JA2.9	-	-
PB0	51	PB0	PMOD1-MOSI	R217	R218	PMOD1.2	-	-
			JA2-IRQc_M1HSIN2	R218	R217	JA2.23	R182	R183
PD1	29	PD1	JA2-TIMOUT1	R186	R130	JA2.20	-	-
			JA3-A6	R130	R186	JA3.7	-	-
PD0	30	PD0	JA2-TIMIN1	R184	R136	JA2.22	-	-
			JA3-A5	R136	R184	JA3.6	-	-
PE4	13	PE4	JA5-M2TRCCLK	R34	R66	JA5.17	-	-
			JA3-A9	R66	R36	JA3.10	-	-
PE3	14	PE3	JA5-M2TRDCLK	R33	R65	JA5.18	-	-
			JA3-A8	R65	R33	JA3.9	-	-
RESn	10	-	E1-RESn	-	-	E1/E2 Lite.13	-	-
			SW-RESn	-	-	RES1(Switch)	-	-
			JA2-RESn	-	-	JA2.1	-	-

## 6.14 PMOD1 Configuration

Table 6-19 below details the function of the option links associated with PMOD1 Configuration.

**Table 6-19: PMOD1 Configuration Option Links**

Signal name	MCU		MCU Peripheral Selection			Destination Selection		
	Pin	Port	Signal	Fit	DNF	Interface /Function	Fit	DNF
PMOD1-IO3	93	P26	PMOD1-IO3	-	-	PMOD1.10	-	-
PMOD1-IO2	94	P25	PMOD1-IO2	-	-	PMOD1.9	-	-
PMOD1-MISO	54	PA5	PMOD1-MISO	-	-	PMOD1.3	-	-
PMOD1-SCK	55	PA4	PMOD1-SCK	R118	-	PMOD1.4	-	-
PMOD1-IO0	62	PC6	PMOD1-IO0	-	-	PMOD1.7	-	-
PMOD1-IO1	63	PC5	PMOD1-IO1	-	-	PMOD1.8	-	-
PA2	57	PA2	PMOD1-CS	R212	R155	PMOD1.1	-	-
			JA3-A0	R155	R212	JA3.1	-	-
PB0	51	PB0	PMOD1-MOSI	R217	R218	PMOD1.2	-	-
			JA2-IRQc_M1HSIN2	R218	R217	JA2.23	R182	R183

## 6.15 PMOD2 Configuration

Table 6-20 below details the function of the option links associated with PMOD2 Configuration.

**Table 6-20: PMOD2 Configuration Option Links**

Signal name	MCU		MCU Peripheral Selection			Destination Selection		
	Pin	Port	Signal	Fit	DNF	Interface /Function	Fit	DNF
P24	95	P24	LINNSLP	R202	R83	U9.2	-	-
			PMOD2-CS	R83	R202	PMOD2.1	-	-
P23	96	P23	LINTXD	R165	R171, R72	U9.4	-	-
			JA6-TXDc	R171	R165, R72	JA6.9	-	-
			PMOD2-MOSI	R72	R165, R171	PMOD2.2	-	-
P22	97	P22	LINRXD	R167	R170, R52	U9.1	-	-
			JA6-RXDc	R170	R167, R52	JA6.12	-	-
			PMOD2-MISO	R52	R167, R170	PMOD2.3	-	-
P30	91	P30	JA3-D10	R63, R88	R62	JA3.31	-	-
			PMOD2-SCK	R62, R88	R63	PMOD2.4	-	-
PMOD2-IO2	107	P63	PMOD2-IO2	-	-	PMOD2.9	-	-
PMOD2-IO3	108	P62	PMOD2-IO3	-	-	PMOD2.10	-	-
PMOD2-IO0	34	PF0	PMOD2-IO0	-	-	PMOD2.7	-	-
PMOD2-IO1	85	PK0	PMOD2-IO1	-	-	PMOD2.8	-	-



## 6.16 Serial & USB to Serial Configuration

Table 6-21 below details the function of the option links associated with Serial & USB to Serial Configuration.

**Table 6-21: Serial & USB to Serial Configuration Option Links**

Signal name	MCU		MCU Peripheral Selection			Destination Selection		
	Pin	Port	Signal	Fit	DNF	Interface /Function	Fit	DNF
P23	96	P23	LINTXD	R165	R171, R72	U9.4	-	-
			JA6-TXDc	R171	R165, R72	JA6.9	-	-
			PMOD2-MOSI	R72	R165, R171	PMOD2.2	-	-
P22	97	P22	LINRXD	R167	R170, R52	U9.1	-	-
			JA6-RXDc	R170	R167, R52	JA6.12	-	-
			PMOD2-MISO	R52	R167, R170	PMOD2.3	-	-
P32	87	P32	JA2-M1TRDCLK	R177	R176	JA2.26	-	-
			JA3-D8	R176	R177	JA3.29	-	-
P31	89	P31	JA3-D9	R109	R106	JA3.30	-	-
			SERIAL-RTS	R106	R109	U6.2	-	-
P82	137	P82	JA5-M2UIN	R238, R236	R239, R241, R237, R242	JA5.12		
			JA3-ALE	R239, R236	R238, R241, R237, R242	JA3.46		
			JA3-WAIT	R241, R236	R238, R239, R237, R242	JA3.45	R75	R79
			JA6-M1UIN	R237, R236	R238, R239, R241, R242	JA6.14		
			JA6-SCKc	R242, R236	R238, R239, R241, R237	JA6.11		
PB7	39	PB7	JA2-SCKa	R192, R147	R193	JA2.10	-	-
			JA3-A4	R193, R147	R192	JA3.15	-	-
PB6	40	PB6	SERIAL-RXD	R195, R198	R148	U7.3		R194, R175
			JA2-RXDa	R195, R198	R148	JA2.8	-	-
			JA3-A3	R148	R195, R198	JA3.4	-	-
PB5	41	PB5	SERIAL-TXD	R143, R199	R146	U6.3	-	R142, R174
			JA2-TXDa	R199, R143	R146	JA2.6	-	-
			JA3-A2	R146	R143, R199	JA3.3	-	-
PB4	43	PB4	JA2-CTSaRTSa	R188	R156	JA2.12	-	-
			JA3-A1	R156	R188	JA3.2	-	-
PD5	25	PD5	E1-TDI_RXD	R231	R194, R172	E1/E2 Lite.11	-	-
			SERIAL-RXD	R194	R231, R172	U7.3	-	R195, R175
			JA6-RXD <sub>b</sub>	R172	R231, R194	JA6.7	-	-
PD4	26	PD4	E1-TCK_FINEC	R101, R154	R99	E1/E2 Lite.1	-	-
			JA6-SCK <sub>b</sub>	R99, R154	R101	JA6.10	-	-
PD3	27	PD3	E1-TDO_TXD	R230	R142, R173	E1/E2 Lite.5		
			SERIAL-TXD	R142	R230, R173	U6.3	-	R143, R174
			JA6-TXD <sub>b</sub>	R173	R230, R142	JA6.8		

### 6.17 USB Configuration

Table 6-22 below details the function of the option links associated with the USB Configuration.

**Table 6-22: USB Configuration Option Links**

Signal name	MCU		MCU Peripheral Selection			Destination Selection		
	Pin	Port	Signal	Fit	DNF	Interface /Function	Fit	DNF
PC2	45	PC2	USB0-OVRCURA	-	-	U11.5	-	-
PC1	46	PC1	USB0-VBUSEN	R98	R92	U11.4	-	-
			JA3-A16	R92	R98	JA3.37	-	-
PD2	28	PD2	USB0-VBUS	R132	R134	USB0_1.1, USB0_2.1	J14 (2-3 short) or R162	-
			JA3-A7	R134	R132	JA3.8	-	-
PE2	20	PE2	JP-UPSEL	-	-	J15.2	-	-
			JA2-NMIn	-	-	JA2.3	-	-
USB0-DP	36	-	USB0-DP	-	-	USB0_1.3	-	-
						USB0_2.3	-	-
USB0-DM	35	-	USB0-DM	-	-	USB0_1.2	-	-
						USB0_2.2	-	-

Table 6-23 below details the function of the jumpers associated with the USB Configuration.

**Table 6-23: USB Configuration Jumper Option Links**

Reference	Jumper Position	Explanation	Related Ref.
J12	Shorted Pin1-2	The operating voltage of VCC_USB is set to the same as the operating voltage of the MCU.	-
	Shorted Pin2-3	Operating voltage of VCC_USB is fixed at 3.3V.	-
	All open	DO NOT SET.	-
J13	Shorted Pin1-2	USB0 Host mode	-
	Shorted Pin2-3	USB0 Function mode	J14
	All open	DO NOT SET.	-
J14(DNF) <sup>*1</sup>	Shorted Pin1-2	Bus-powered	J13, R162
	Shorted Pin2-3	Self-powered	J13, R162
	All open	Self-powered by R162	R162

\*1: In case of fit J14, remove R162.

## 7. Headers

### 7.1 Application Headers

This CPU board is fitted with application headers, which can be used to connect compatible Renesas application devices or as easy access to MCU pins.

Table 7-1 below lists the connections of the application header, JA1.

**Table 7-1: Application Header JA1 Connections**

Application Header JA1					
Pin	Header Name	MCU Pin	Pin	Header Name	MCU Pin
	Circuit Net Name			Circuit Net Name	
1	5V	-	2	0V	-
	JA1-5V			GROUND	
3	3V3	-	4	0V	-
	JA1-3V3			GROUND	
5	AVCC	134,133,104	6	AVSS	135,136,106
	JA1-AVCC			JA1-AVSS	
7	AVREF	NC	8	ADTRG	101,100
	NC			JA1-ADTRG	
9	ADC0	131	10	ADC1	130
	JA1-ADC0			JA1-ADC1	
11	ADC2	129	12	ADC3	132
	JA1-ADC2			JA1-ADC3	
13	DAC0	103	14	DAC1	102
	JA1-DAC0			JA1-DAC1	
15	IO_0	127	16	IO_1	126
	JA1-IO0			JA1-IO1	
17	IO_2	125	18	IO_3	119
	JA1-IO2			JA1-IO3	
19	IO_4	118	20	IO_5	117
	JA1-IO4			JA1-IO5	
21	IO_6	116	22	IO_7	115
	JA1-IO6			JA1-IO7	
23	IRQd / IRQAEC / M2_H SIN0	9/ NC / 9	24	IIC_EX	NC
	JA1-IRQd_M2HSIN0			NC	
25	IIC_SDA	49	26	IIC_SCL	50
	JA1-SDA			JA1-SCL	

Table 7-2 below lists the connections of the application header, JA2.

**Table 7-2: Application Header JA2 Connections**

Application Header JA2					
Pin	Header Name	MCU Pin	Pin	Header Name	MCU Pin
	Circuit Net Name			Circuit Net Name	
1	RESET	15	2	EXTAL	18
	JA2-RESn			JA2-EXTAL	
3	NMI	20	4	Vss1	-
	JA2-NMIIn			GROUND	
5	WDT_OVF	NC	6	SCIaTX	41
	NC			JA2-TXDa	
7	IRQa / WKUP / M1_H SIN0	48 / NC / 48	8	SCIaRX	40
	JA2-IRQa_M1HSIN0			JA2-RXDa	
9	IRQb / M1_H SIN1	50	10	SCIaCK	39
	JA2-IRQb_M1HSIN1			JA2-SCKa	
11	M1_UD	113	12	CTSaRTSa	43
	JA2-M1UD			JA2-CTSaRTSa	
13	M1_UP	3	14	M1_UN	144
	JA2-M1UP			JA2-M1UN	
15	M1_VP	2	16	M1_VN	143
	JA2-M1VP			JA2-M1VN	
17	M1_WP	1	18	M1_WN	142
	JA2-M1WP			JA2-M1WN	
19	TimerOut0	70	20	TimerOut1	29
	JA2-TIMOUT0			JA2-TIMOUT1	
21	TimerIn0	71	22	TimerIn1	30
	JA2-TIMIN0			JA2-TIMIN1	
23	IRQc / M1_EncZ / M1_H SIN2	51 / 92 / 51	24	M1_POE	79
	JA2-23PIN			JA2-M1POE	
25	M1_TRCCLK	86	26	M1_TRDCLK	87
	JA2-M1TRCCLK			JA2-M1TRDCLK	

Table 7-3 below lists the connections of the BUS application header, JA3.

**Table 7-3: Application Header JA3 Connections**

Application Header JA3					
Pin	Header Name	MCU Pin	Pin	Header Name	MCU Pin
	Circuit Net Name			Circuit Net Name	
1	A0	57	2	A1	43
	JA3-A0			JA3-A1	
3	A2	41	4	A3	40
	JA3-A2			JA3-A3	
5	A4	39	6	A5	30
	JA3-A4			JA3-A5	
7	A6	29	8	A7	28
	JA3-A6			JA3-A7	
9	A8	14	10	A9	13
	JA3-A8			JA3-A9	
11	A10	12	12	A11	9
	JA3-A10			JA3-A11	
13	A12	61	14	A13	60
	JA3-A12			JA3-A13	
15	A14	53	16	A15	52
	JA3-A14			JA3-A15	
17	D0	73	18	D1	74
	JA3-D0			JA3-D1	
19	D2	75	20	D3	76
	JA3-D2			JA3-D3	
21	D4	77	22	D5	78
	JA3-D4			JA3-D5	
23	D6	79	24	D7	86
	JA3-D6			JA3-D7	
25	RDn	4	26	WR / SDWE	21 / NC
	JA3-RDn			JA3-WRn	
27	CSa	47	28	CSb	92
	JA3-CSa			JA3-CSb	
29	D8	87	30	D9	89
	JA3-D8			JA3-D9	
31	D10	91	32	D11	80
	JA3-D10			JA3-D11	
33	D12	81	34	D13	82
	JA3-D12			JA3-D13	
35	D14	83	36	D15	84
	JA3-D14			JA3-D15	
37	A16	46	38	A17	33
	JA3-A16			JA3-A17	
39	A18	32	40	A19	31
	JA3-A18			JA3-A19	
41	A20	98	42	A21	NC
	JA3-A20			NC	
43	A22	NC	44	SDCLK	5
	NC			JA3-BCLK	
45	CSc / Wait	138 / 137	46	ALE / SDCKE	137 / NC
	JA3-45PIN			JA3-ALE	
47	HWRn / DQMH	22 / NC	48	LWRn / DQML	21 / NC
	JA3-WRHn			JA3-WRLn	
49	CAS	NC	50	RAS	NC
	NC			NC	

Table 7-4 below lists the connections of the application header, JA5.

**Table 7-4: Application Header JA5 Connections**

Application Header JA5					
Pin	Header Name	MCU Pin	Pin	Header Name	MCU Pin
	Circuit Net Name			Circuit Net Name	
1	ADC4	123	2	ADC5	122
	JA5-ADC4			JA5-ADC5	
3	ADC6	121	4	ADC7	124
	JA5-ADC6			JA5-ADC7	
5	CAN1TX	59	6	CAN1RX	58
	JA5-CAN1TX			JA5-CAN1RX	
7	CAN2TX	NC	8	CAN2RX	NC
	NC			NC	
9	IRQe / M2_EncZ / M2HSIN1	141 / 56 / 141	10	IRQf / M2_HSIN2	NC / 12
	JA5-9PIN			JA5-M2HSIN2	
11	M2_UD	114	12	M2_Uin	137
	JA5-M2UD			JA5-M2UIN	
13	M2_Vin	138	14	M2_Win	139
	JA5-M2VIN			JA5-M2WIN	
15	M2_Toggle	58	16	M2_POE	65
	JA5-M2TOGGLE			JA5-M2POE	
17	M2_TRCCLK	13	18	M2_TRDCLK	14
	JA5-M2TRCCLK			JA5-M2TRDCLK	
19	M2_UP	67	20	M2_Un	70
	JA5-M2UP			JA5-M2UN	
21	M2_VP	68	22	M2_Vn	71
	JA5-M2VP			JA5-M2VN	
23	M2_WP	69	24	M2_Wn	72
	JA5-M2WP			JA5-M2WN	

Table 7-5 below lists the connections of the application header, JA6.

**Table 7-5: Application Header JA6 Connections**

Application Header JA6					
Pin	Header Name	MCU Pin	Pin	Header Name	MCU Pin
	Circuit Net Name			Circuit Net Name	
1	DREQ	NC	2	DACK	NC
	NC			NC	
3	TEND	NC	4	STBYn	NC
	NC			NC	
5	RS232TX	NC	6	RS232RX	NC
	JA6-RS232TX			JA6-RS232RX	
7	SCIbRX	25	8	SCIbTX	27
	JA6-RXDb			JA6-TXDb	
9	SClckTX	96	10	SClck	26
	JA6-TXDc			JA6-SCKb	
11	SClck	137	12	SClckRX	97
	JA6-SCKc			JA6-RXDc	
13	M1_Toggle	140	14	M1_Uin	137
	JA6-M1TOGGLE			JA6-M1UIN	
15	M1_Vin	138	16	M1_Win	139
	JA6-M1VIN			JA6-M1WIN	
17	EXT_USB_VBUS	NC	18	Reserved	NC
	NC			NC	
19	EXT_USB_BATT	NC	20	Reserved	NC
	NC			NC	
21	EXT_USB_CHG	NC	22	Reserved	NC
	NC			NC	
23	Unregulated_VCC	-	24	Vss	-
	Unregulated_VCC			GROUND	

## 7.2 Microcontroller Pin Headers

This RSK is fitted with MCU pin headers, which are used to access all the MCU's pins.

**Table 7-6** below lists the connections of the microcontroller pin header, J1.

**Table 7-6: Microcontroller Pin Header, J1**

Microcontroller Pin Header J1					
Pin	Circuit Net Name	MCU Pin	Pin	Circuit Net Name	MCU Pin
1	JA2-M1WP	1	2	JA2-M1VP	2
3	JA2-M1UP	3	4	JA3-RDN	4
5	JA3-BCLK	5	6	UC_VCC	-
7	EMLE	7	8	GROUND	-
9	P00	9	10	NC	NC
11	MD_FINED	11	12	P01	12
13	PE4	13	14	PE3	14
15	RESn	15	16	P37	16
17	GROUND	-	18	JA2-EXTAL	18
19	UC_VCC	-	20	PE2	20
21	PE1	21	22	JA3-WRHn	22
23	E1-TRSTn	23	24	E1-TMS	24
25	PD5	25	26	PD4	26
27	PD3	27	28	PD2	28
29	PD1	29	30	PD0	30
31	JA3-A19	31	32	JA3-A18	32
33	JA3-A17	33	34	PMOD2-IO0	34
35	NC	NC	36	NC	NC

**Table 7-7** below lists the connections of the microcontroller pin header, J2.

**Table 7-7: Microcontroller Pin Header, J2**

Microcontroller Pin Header J2					
Pin	Circuit Net Name	MCU Pin	Pin	Circuit Net Name	MCU Pin
1	GROUND	-	2	VCC_USB	38
3	PB7	39	4	PB6	40
5	PB5	41	6	UC_VCC	-
7	PB4	43	8	GROUND	-
9	USB0-OVRCURA	45	10	PC1	46
11	JA3-CSa	47	12	PB3	48
13	PB2	49	14	PB1	50
15	PB0	51	16	JA3-A15	52
17	JA3-A14	53	18	PMOD1-MISO	54
19	PMOD1-SCK	55	20	JA5-M2ENC	56
21	PA2	57	22	PA1	58
23	PA0	59	24	JA3-A13	60
25	JA3-A12	61	26	PMOD1-IO0	62
27	MOD1-IO1	63	28	UC_VCC	-
29	JA5-M2POE	65	30	GROUND	-
31	JA5-M2UP	67	32	JA5-M2VP	68
33	JA5-M2WP	69	34	P92	70
35	P91	71	36	JA5-M2WN	72



**Table 7-8** below lists the connections of the microcontroller pin header, J3.

**Table 7-8: Microcontroller Pin Header, J3**

Microcontroller Pin Header J3					
Pin	Circuit Net Name	MCU Pin	Pin	Circuit Net Name	MCU Pin
1	JA3-D0	73	2	JA3-D1	74
3	JA3-D2	75	4	JA3-D3	76
5	JA3-D4	77	6	JA3-D5	78
7	P70	79	8	JA3-D11	80
9	JA3-D12	81	10	JA3-D13	82
11	JA3-D14	83	12	JA3-D15	84
13	PMOD2-IO1	85	14	P33	86
15	P32	87	16	UC_VCC	-
17	P31	89	18	GROUND	-
19	P30	91	20	P27	92
21	PMOD1-IO3	93	22	PMOD1-IO2	94
23	P24	95	24	P23	96
25	P22	97	26	JA3-A20	98
27	SERIAL-CTS	99	28	P32	100
29	P20	101	30	JA1-DAC1	102
31	JA1-DAC0	103	32	AVCC0-2	-
33	AVCC0-2	-	34	AVSS0-2	-
35	PMOD2-IO2	107	36	PMOD2-IO3	108

**Table 7-9** below lists the connections of the microcontroller pin header, J4.

**Table 7-9: Microcontroller Pin Header, J4**

Microcontroller Pin Header J4					
Pin	Circuit Net Name	MCU Pin	Pin	Circuit Net Name	MCU Pin
1	LED3	109	2	LED2	110
3	LED1	111	4	LED0	112
5	JA2-M1UD	113	6	JA5-M2UD	114
7	JA1-IO7	115	8	JA1-IO6	116
9	JA1-IO5	117	10	JA1-IO4	118
11	JA1-IO3	119	12	P47	120
13	P46	121	14	P45	122
15	P44	123	16	PH4	124
17	JA1-IO2	125	18	JA1-IO1	126
19	JA1-IO0	127	20	P43	128
21	P42	129	22	P41	130
23	P40	131	24	PH0	132
25	AVCC0-2	-	26	AVCC0-2	-
27	AVSS0-2	-	28	AVSS0-2	-
29	P82	137	30	P81	138
31	P80	139	32	JA6-M1TOGGLE	140
33	P10	141	34	JA2-M1WN	142
35	JA2-M1VN	143	36	JA2-M1UN	144

## 8. Code Development

### 8.1 Overview

For all code debugging using Renesas software tools, the RSK board must be connected to a PC via an E1/E20/E2 Lite debugger. An E1/E2 Lite debugger is supplied with this RSK product.

For further information regarding the debugging capabilities of the E1/E20/E2 Lite debuggers, refer to E1/E20 Emulator, E2 Emulator Lite Additional Document for User's Manual (R20UT0399EJ).

### 8.2 Compiler Restrictions

The compiler supplied with this RSK is fully functional for a period of 60 days from first use. After the first 60 days of use have expired, the compiler will default to a maximum of 128k code and data. To use the compiler with programs greater than this size you need to purchase the full tools from your distributor.

The protection software for the compiler will detect changes to the system clock. Changes to the system clock back in time may cause the trial period to expire prematurely.

### 8.3 Mode Support

The MCU supports Single Chip and Boot Modes (SCI), which are configured on the RSK board. Details of the modifications required can be found in §6.2. All other MCU operating modes are configured within the MCU's registers, which are listed in the RX72T Group User's Manual: Hardware.

Only ever change the MCU operating mode whilst the RSK is in reset, or turned off; otherwise the MCU may become damaged as a result.

### 8.4 Debugging Support

The E1 Emulator or E2 Emulator Lite (as supplied with this RSK) supports break points, event points (including mid-execution insertion) and basic trace functionality. It is limited to a maximum of 8 on-chip event points, 256 software breaks and 256 branch/cycle trace. For further details, refer RX Family E1/E20 Emulator User's Manual (R20UT0398EJ) or E2 Emulator Lite User's Manual (R20UT3240EJ).

### 8.5 Address Space

For the MCU address space details, refer to the 'Address Space' section of RX72T Group User's Manual: Hardware.

## 9. Additional Information

### Technical Support

For information about the RX72T Group microcontrollers refer to the RX72T Group Hardware Manual.

For information about the RX assembly language, refer to the RX Family Software Manual.

### Technical Contact Details

*Please refer to the contact details listed in section 8 of the “Quick Start Guide”*

General information on Renesas microcontrollers can be found on the Renesas website at:

<https://www.renesas.com/>

### Trademarks

All brand or product names used in this manual are trademarks or registered trademarks of their respective companies or organisations.

### Copyright

This document may be, wholly or partially, subject to change without notice. All rights reserved. Duplication of this document, either in whole or part is prohibited without the written permission of Renesas Electronics Europe Limited.

© 2018 Renesas Electronics Europe Limited. All rights reserved.

© 2018 Renesas Electronics Corporation. All rights reserved.

<b>REVISION HISTORY</b>	RX72T Group Renesas Starter Kit for RX72T User's Manual
-------------------------	--

Rev.	Date	Description	
		Page	Summary
1.00	Nov 30, 2018	—	First Edition issued.

---

RX72T Group  
Renesas Starter Kit for RX72T User's Manual

Publication Date: Rev.1.00 Nov 30, 2018

Published by: Renesas Electronics Corporation

---



Renesas Electronics Corporation

<http://www.renesas.com>

**SALES OFFICES**

Refer to "<http://www.renesas.com/>" for the latest and detailed information.

**Renesas Electronics Corporation**  
TOYOSU FORESIA, 3-2-24 Toyosu, Koto-ku, Tokyo 135-0061, Japan

**Renesas Electronics America Inc.**  
1001 Murphy Ranch Road, Milpitas, CA 95035, U.S.A.  
Tel: +1-408-432-8888, Fax: +1-408-434-5351

**Renesas Electronics Canada Limited**  
9251 Yonge Street, Suite 8309 Richmond Hill, Ontario Canada L4C 9T3  
Tel: +1-905-237-2004

**Renesas Electronics Europe Limited**  
Dukes Meadow, Millboard Road, Bourne End, Buckinghamshire, SL8 5FH, U.K  
Tel: +44-1628-651-700

**Renesas Electronics Europe GmbH**  
Arcadiastrasse 10, 40472 Düsseldorf, Germany  
Tel: +49-211-6503-0, Fax: +49-211-6503-1327

**Renesas Electronics (China) Co., Ltd.**  
Room 1709 Quantum Plaza, No.27 ZhichunLu, Haidian District, Beijing, 100191 P. R. China  
Tel: +86-10-8235-1155, Fax: +86-10-8235-7679

**Renesas Electronics (Shanghai) Co., Ltd.**  
Unit 301, Tower A, Central Towers, 555 Langao Road, Putuo District, Shanghai, 200333 P. R. China  
Tel: +86-21-2226-0888, Fax: +86-21-2226-0999

**Renesas Electronics Hong Kong Limited**  
Unit 1601-1611, 16/F., Tower 2, Grand Century Place, 193 Prince Edward Road West, Mongkok, Kowloon, Hong Kong  
Tel: +852-2265-6688, Fax: +852 2886-9022

**Renesas Electronics Taiwan Co., Ltd.**  
13F, No. 363, Fu Shing North Road, Taipei 10543, Taiwan  
Tel: +886-2-8175-9600, Fax: +886 2-8175-9670

**Renesas Electronics Singapore Pte. Ltd.**  
80 Bendemeer Road, Unit #06-02 Hyflux Innovation Centre, Singapore 339949  
Tel: +65-6213-0200, Fax: +65-6213-0300

**Renesas Electronics Malaysia Sdn.Bhd.**  
Unit 1207, Block B, Menara Amcorp, Amcorp Trade Centre, No. 18, Jln Persiaran Barat, 46050 Petaling Jaya, Selangor Darul Ehsan, Malaysia  
Tel: +60-3-7955-9390, Fax: +60-3-7955-9510

**Renesas Electronics India Pvt. Ltd.**  
No.77C, 100 Feet Road, HAL 2nd Stage, Indiranagar, Bangalore 560 038, India  
Tel: +91-80-67208700, Fax: +91-80-67208777

**Renesas Electronics Korea Co., Ltd.**  
17F, KAMCO Yangjae Tower, 262, Gangnam-daero, Gangnam-gu, Seoul, 06265 Korea  
Tel: +82-2-558-3737, Fax: +82-2-558-5338