



Hall-effect Rotary Position Sensors

RTY Series with Integral Actuator

RTP Series with External Actuator



RTY Series and RTP Series Hall-effect Rotary Position Sensors

The RTY Series and RTP Series Hall-effect Rotary Position Sensors provide non-contact sensing in harsh transportation and industrial applications at a competitive cost.

- **RTY Series:** These shaft activated products are available in two versions: an integral shaft with or without a lever. The lever may allow customers to reduce the number of mechanical linkages required for their applications, which may reduce the cost of the overall customer solution.
- **RTP Series:** Takes non-contact sensing to the next level by separating the magnet from the sensor body. The absence of the actuator shaft removes the wear and tear on the bearings caused by radial forces. A choice of a bare or a housed magnet is available.

These products use a magnetically biased, Hall-effect integrated circuit (IC) to sense rotary movement of the actuator over a set operating range. Rotation of the actuator changes the magnet's position relative to the IC. The resulting flux density change is converted to a linear output.

The IC, together with conditioning and protection circuitry, is sealed in an IP69K-qualified rugged package for durability in most harsh environments.

Eight operating ranges from 50° to 360° are tolerant to over-travel and allow use in most common applications. Low voltage and high voltage versions cover an input voltage range of 4.5 Vdc to 30 Vdc.

Honeywell's industry-leading capabilities in research and development provide the customer with known quality and support.

Features

- True, non-contact operation
- 35 M cycle product life (RTY Series); unlimited rotation (RTP Series)
- Solid-state Hall-effect technology
- Rugged IP69K-sealed package with integral connector
- Automotive-grade EMI/EMC testing, integrated reverse polarity, and short circuit protection
- Industry-standard AMP termination, 32 mm mounting pitch, North American or European pinout styles, and compact package
- Eight operating ranges up to 360°

Potential Applications

TRANSPORTATION

- Position and movement detection (pedals, throttles, gear shift, levers, steering, linkages, and hitches) in trucks, buses, off-road vehicles, cranes, and industrial/construction/agricultural vehicles and equipment
- Suspension/kneeling position (buses, trucks)
- Tilt/trim position (boat engines, tilling equipment)

INDUSTRIAL

- Valve control
- HVAC damper control
- Irrigation equipment pivot control

RUGGED • LONG PRODUCT LIFE • NON-CONTACT SENSING

Hall-effect Rotary Position Sensors

Table 1. Electrical Specifications

Characteristic	RTY Series		RTP Series	
	LV (Low Voltage)	HV (High Voltage)	LV (Low Voltage)	HV (High Voltage)
Supply voltage	5 ±0.5 Vdc	10 Vdc to 30 Vdc	5 ±0.5 Vdc	10 Vdc to 30 Vdc
Supply current: normal during output to ground short	20 mA max. 25 mA max.	32 mA max. 47 mA max.	20 mA max. 25 mA max.	32 mA max. 47 mA max.
Output: standard	0.5 Vdc to 4.5 Vdc ratiometric	0.5 Vdc to 4.5 Vdc non-ratiometric	0.5 Vdc to 4.5 Vdc ratiometric	0.5 Vdc to 4.5 Vdc non-ratiometric
inverted	4.5 Vdc to 0.5 Vdc ratiometric	4.5 Vdc to 0.5 Vdc non-ratiometric	4.5 Vdc to 0.5 Vdc ratiometric	4.5 Vdc to 0.5 Vdc non-ratiometric
Output signal delay	4 ms typ.			
Overvoltage protection	10 Vdc	—	10 Vdc	—
Reverse polarity protection	-10 Vdc	-30 Vdc	-10 Vdc	-30 Vdc
Output to ground short circuit protection	continuous			
Resolution	12 bit			
Output load resistance (pull down to ground)	10 kOhm typ.			
EMI: radiated immunity	100 V/m per ISO11452-2 from 200 MHz to 1000 MHz		100 V/m per ISO11452-2 from 200 MHz to 1000 MHz	
conducted immunity	100 mA BCI per ISO11452-4 from 1 MHz to 200 MHz	100 mA BCI per ISO11452-4 from 1 MHz to 400 MHz	100 mA BCI per ISO11452-4 from 1 MHz to 200 MHz	100 mA BCI per ISO11452-4 from 1 MHz to 400 MHz
EMC	exceeds CE requirements			

Table 2. Mechanical Specifications

Characteristic	RTY Series		RTP Series	
	LV (Low Voltage)	HV (High Voltage)	LV (Low Voltage)	HV (High Voltage)
Expected life	35 M cycles		infinite rotation	
Air gap: bare magnet actuator	—		3,00 mm ±0.5 mm [0.12 in ±0.02 in]	
housed magnet actuator	—		2,00 mm ±0.5 mm [0.08 in ±0.02 in]	
misalignment	—		2,00 mm [0.08 in] max.	
Material: shaft	stainless steel		—	
magnet	—		NdFeB	
sensor housing	PBT plastic		PBT plastic	
housed magnet overmold	—		PPS plastic	
sensor/housed magnet bushing	—		brass	
sensor bushing	stainless steel		—	
Mating connector	AMP Superseal 282087-1			
Mechanical end stop	no			
Mounting screw sizes: sensor to mounting surface	non-magnetic, stainless steel M5 screws and 10 mm [0.39 in] OD washers		non-magnetic, stainless steel M4 X 0.7 screws and 8 mm [0.31 in] OD washers	
lever to mounting surface	non-magnetic stainless steel M6 screws,		—	
housed magnet actuator to actuator mounting shaft	—		non-magnetic, stainless steel M3 X 0.5 plain cup point set screws	
Approvals	CE			

RTY Series and RTP Series

Table 3. Environmental Specifications

Characteristic	RTY Series		RTP Series	
	LV (Low Voltage)	HV (High Voltage)	LV (Low Voltage)	HV (High Voltage)
Operating temperature range	-40 °C to 125 °C [-40 °F to 257 °F]			
Ingress protection	IP69K			
Media compatibility	heavy transportation fluids			
Shock ¹	50 G peak			
Vibration ¹	20 G peak			
Salt fog	concentration 5% ±1% for 240 hr per SAE J1455 Section 4.3.3.1 (at 5.0 Vdc, 38 °C [100 F °])		bare magnet: 96 hr for as per ASTM B117 housed magnet: 240 hr per ASTM B117	

¹ Does not apply RTY Series sensor shaft with lever.


 <p>CAUTION ELECTROSTATIC SENSITIVE DEVICES DO NOT OPEN OR HANDLE EXCEPT AT A STATIC FREE WORKSTATION ESD SENSITIVITY: CLASS 2</p>	<p>NOTICE Ferrous material or magnet material more than 300 Gauss within 10 mm [0.39 in] from sensor boundary may impact sensor performance.</p>
---	---

Figure 1. All Available Configurations

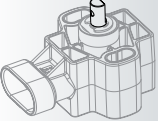
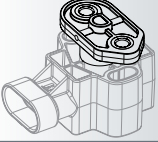
Series	Actuator Type	Series	Actuator Type
RTY	Integral shaft without lever 	RTP	Separate bare magnet 
	Integral shaft with lever 		Separate housed magnet 

Hall-effect Rotary Position Sensors

Figure 2. Product Nomenclature

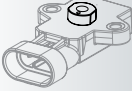
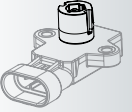
RTY Series

For example, **RTY050LVEAA** defines an RTY Series Hall-Effect Rotary Position Sensor, 50° (±25°) sensing range angle, 5 Vdc supply voltage, European pinout style, 4.5 Vdc (left), 0.5 Vdc (right) output type, shaft without lever actuation type

RTY Series	050 Sensing Range Angle	LV Supply Voltage	E Pinout Style	A Output Type	A Actuator Type
RTY Series Hall-Effect Rotary Position Sensor with Integral Actuator	050 50° (±25°) 060 60° (±30°) 070 70° (±35°) 090 90° (±45°) 120 120° (±60°) 180 180° (±90°) 270 270° (±135°) 360 360° (±180°)	LV 5 Vdc HV 10 Vdc to 30 Vdc	E European: pin 1 = GND pin 2 = Vcc pin 3 = output N North American: pin 1 = Vcc pin 2 = GND pin 3 = output	A Standard: 0.5 Vdc (left), 4.5 Vdc (right) B Inverted: 4.5 Vdc (left), 0.5 Vdc (right)	X Shaft without lever  A Shaft with lever 

RTP Series

For example, **RTP050LVEBX** defines an RTP Series Hall-Effect Rotary Position Sensor, 50° (±25°) sensing range angle, 5 Vdc supply voltage, European pinout style, inverted 4.5 Vdc (left), 0.5 Vdc (right) output type, bare magnet actuator type

RTP Series	050 Sensing Range Angle	LV Supply Voltage	E Pinout Style	B Output Type	X Actuator Type
RTP Series Hall-Effect Rotary Position Sensor with External Actuator	050 50° (±25°) 060 60° (±30°) 070 70° (±35°) 090 90° (±45°) 120 120° (±60°) 180 180° (±90°) 270 270° (±135°) 350 350° (±175°) 360 360° (±180°) ¹	LV 5 Vdc HV 10 Vdc to 30 Vdc	E European: pin 1 = GND pin 2 = Vcc pin 3 = output N North American: pin 1 = Vcc pin 2 = GND pin 3 = output	A Standard: 0.5 Vdc (left), 4.5 Vdc (right) B Inverted: 4.5 Vdc (left), 0.5 Vdc (right)	X Bare magnet  A Housed magnet (carrier type "A") ² 

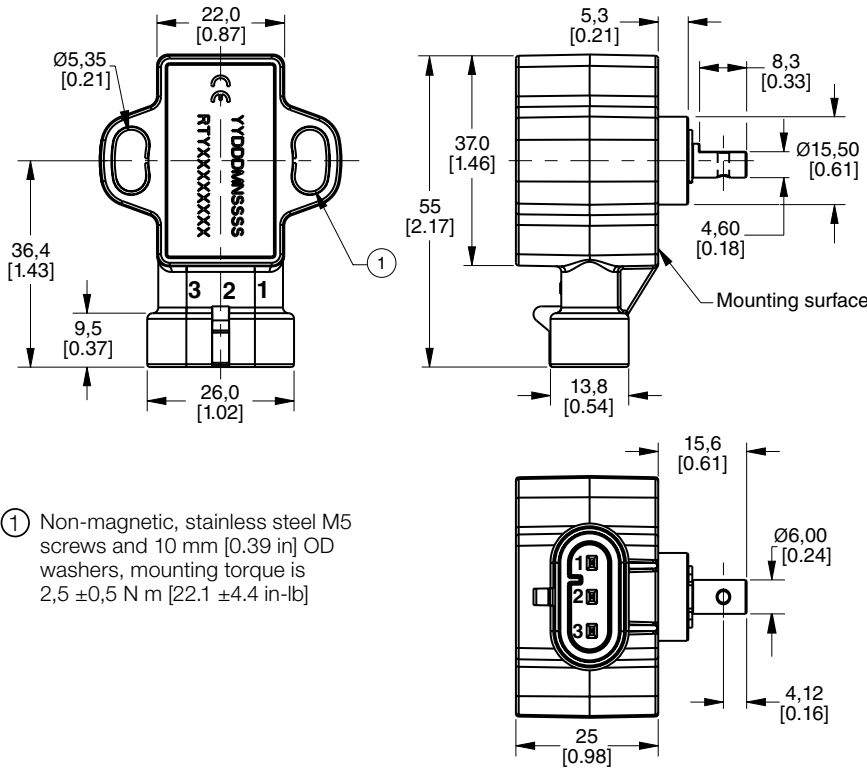
¹ 360° Sensing Range Angle available upon request.

² Customized housed magnet actuators available upon request.

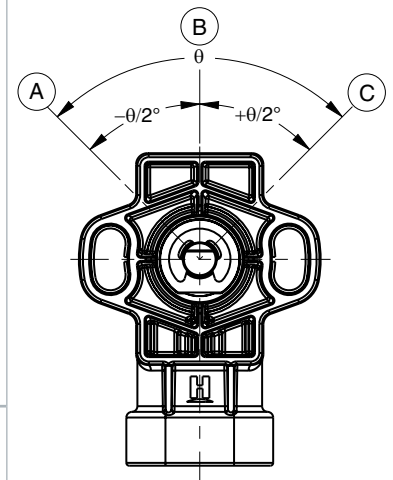
RTY Series and RTP Series

Figure 3. RTY Series Mounting Dimensions (For reference only: mm [in.])

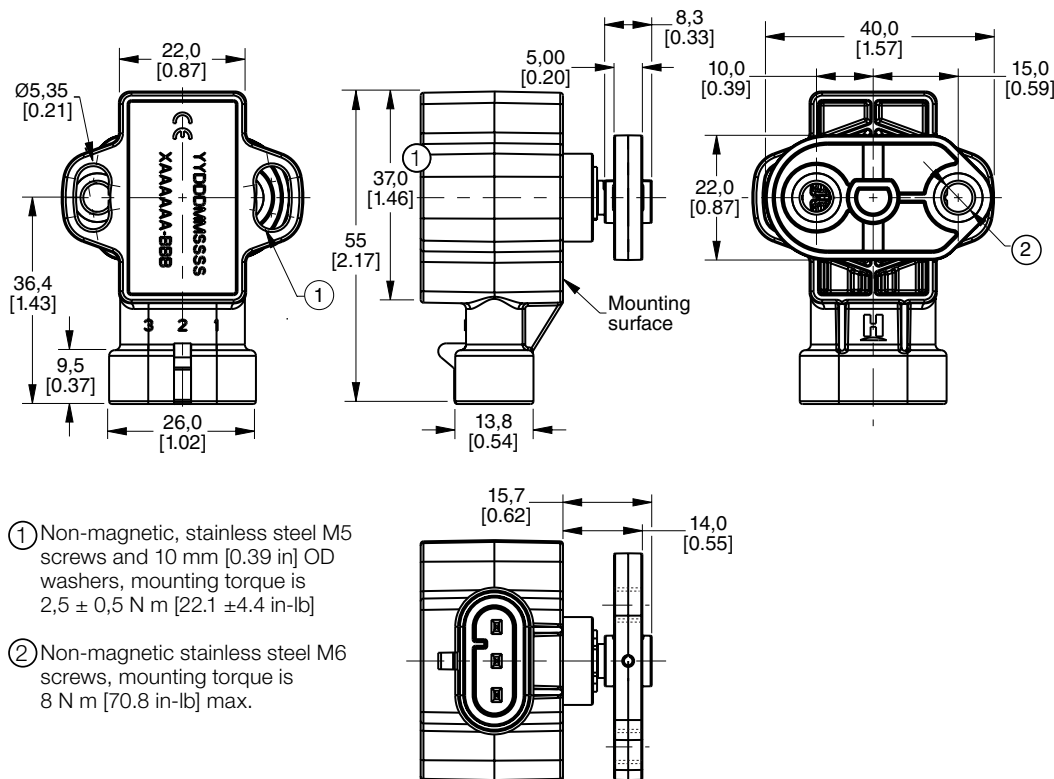
Sensor without lever



Output diagram



Sensor with lever



Standard Output

- Ⓐ = Left output: 0.5 Vdc
- Ⓑ = Zero reference
- Ⓒ = Right output: 4.5 Vdc

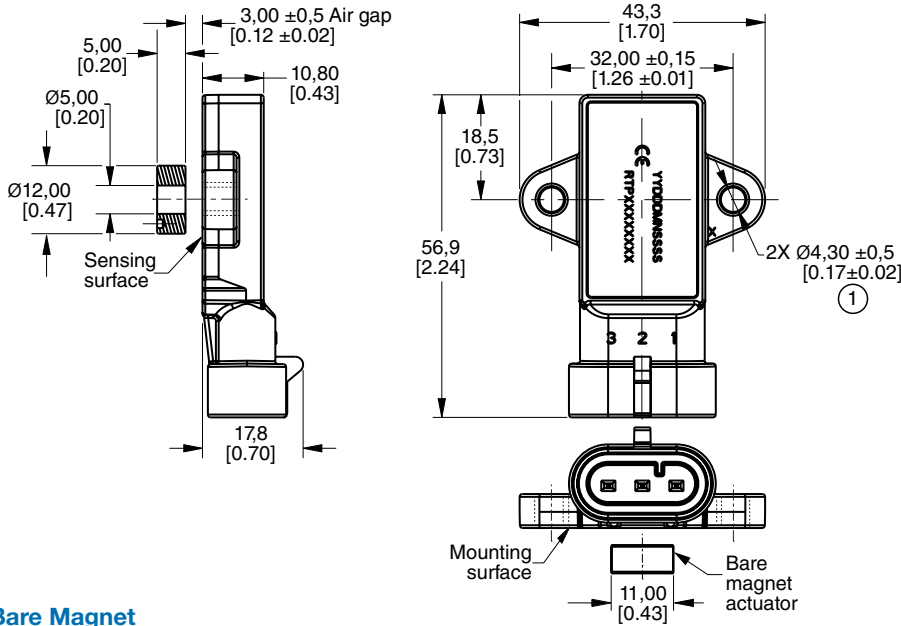
Inverted Output

- Ⓐ = Left output: 4.5 Vdc
- Ⓑ = Zero reference
- Ⓒ = Right output: 0.5 Vdc

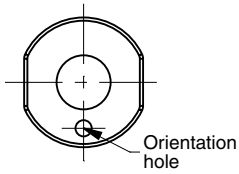
Hall-effect Rotary Position Sensors

Figure 4. RTP Series Mounting Dimensions (For reference only: mm [in].)

Sensor with bare magnet actuator

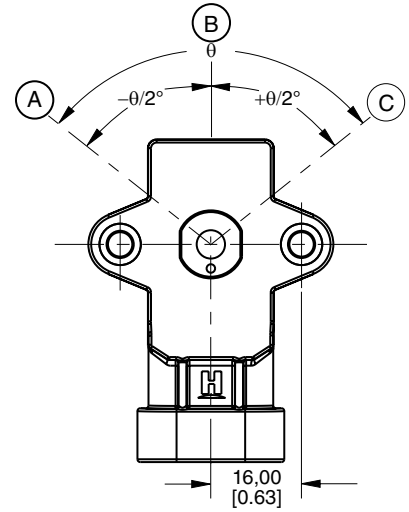


Bare Magnet



- ① Non-magnetic, stainless steel M4 X 0.7 screws and 8 mm [0.39 in] OD washers, torque is 2,0 ± 0,2 N m [17.7 ± 1.8 in-lb].

Output diagram



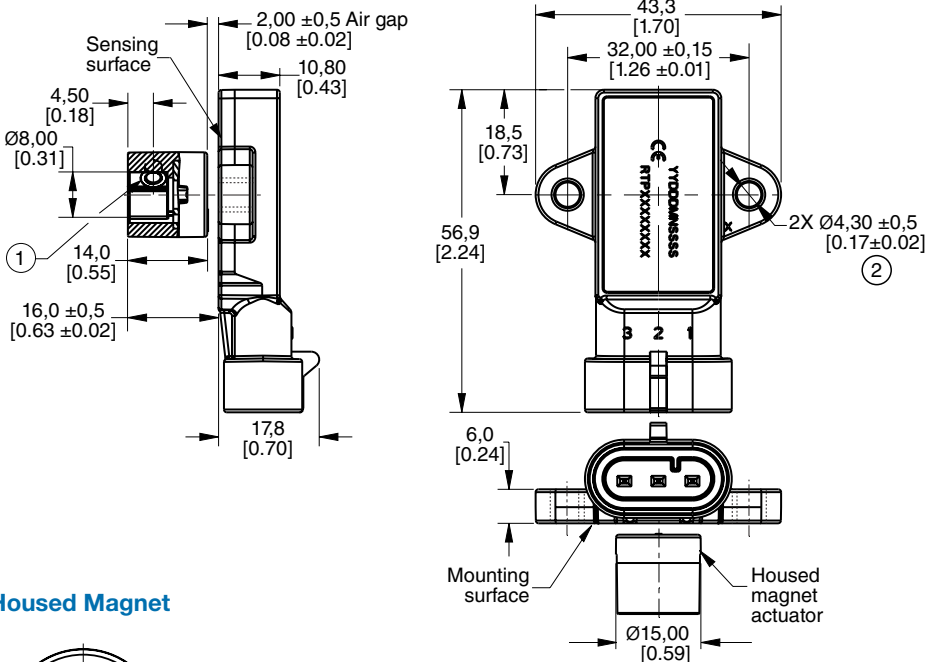
Standard Output

- Ⓐ = Left output: 0.5 Vdc
- Ⓑ = Zero reference
- Ⓒ = Right output: 4.5 Vdc

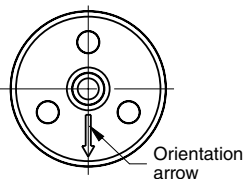
Inverted Output

- Ⓐ = Left output: 4.5 Vdc
- Ⓑ = Zero reference
- Ⓒ = Right output: 0.5 Vdc

Sensor with housed magnet actuator

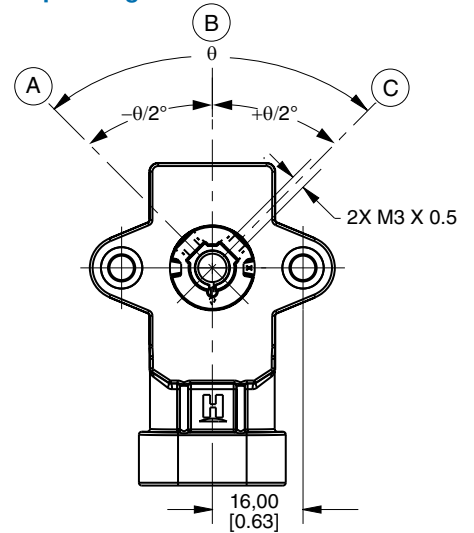


Housed Magnet



- ① Non-magnetic, stainless steel M3 X 0.5 plain cup point set screws, torque is 0,5 N m to 0,6 N m [4.42 in-lb to 5.31 in-lb]
- ② Non-magnetic, stainless steel M4 X 0.7 screws and 8 mm [0.31 in] OD washers, torque is 2,0 ± 0,2 N m [17.7 ± 1.8 in-lb].

Output Diagram



Standard Output

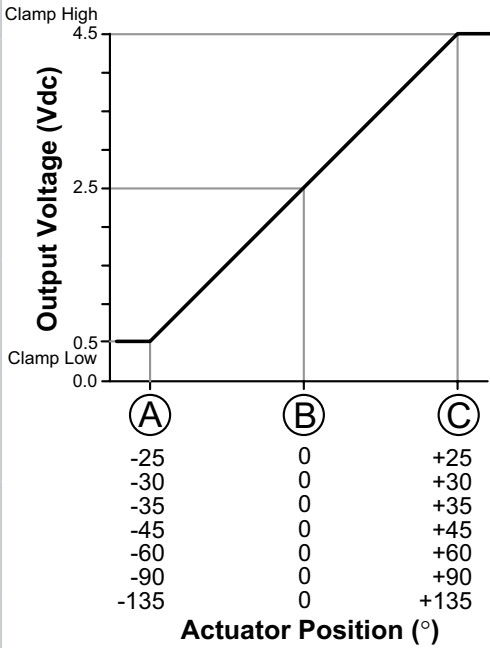
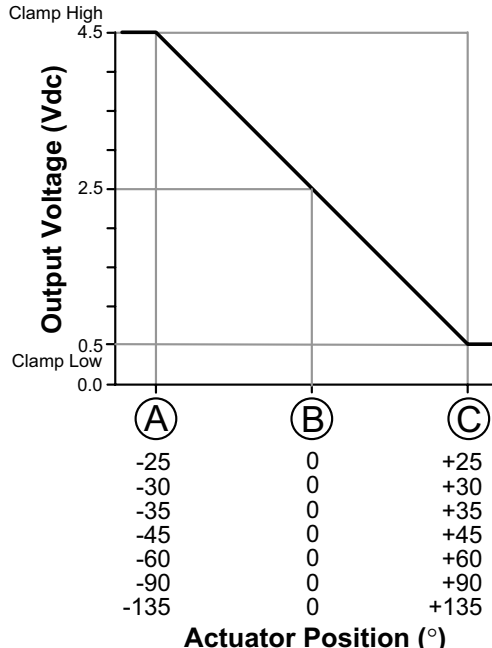
- Ⓐ = Left output: 0.5 Vdc
- Ⓑ = Zero reference
- Ⓒ = Right output: 4.5 Vdc

Inverted Output

- Ⓐ = Left output: 4.5 Vdc
- Ⓑ = Zero reference
- Ⓒ = Right output: 0.5 Vdc

RTY Series and RTP Series

Table 4 RTY Series Functional Characteristics¹

Characteristic			Standard Output	Inverted Output
Sensing Angle	Linearity Error ²	Accuracy Error ³		
50° (±25°)	±1.0%	±1.6%	 <p>Clamp High 4.5</p> <p>Output Voltage (Vdc)</p> <p>2.5</p> <p>0.5</p> <p>Clamp Low 0.0</p> <p>(A) (B) (C)</p> <p>-25 0 +25 -30 0 +30 -35 0 +35 -45 0 +45 -60 0 +60 -90 0 +90 -135 0 +135</p> <p>Actuator Position (°)</p>	 <p>Clamp High 4.5</p> <p>Output Voltage (Vdc)</p> <p>2.5</p> <p>0.5</p> <p>Clamp Low 0.0</p> <p>(A) (B) (C)</p> <p>-25 0 +25 -30 0 +30 -35 0 +35 -45 0 +45 -60 0 +60 -90 0 +90 -135 0 +135</p> <p>Actuator Position (°)</p>
60° (±35°)				
70° (±35°)				
90° (±45°)				
120° (±60°)				
180° (±90°)				
270° (±135°)				
360° (±180°)				

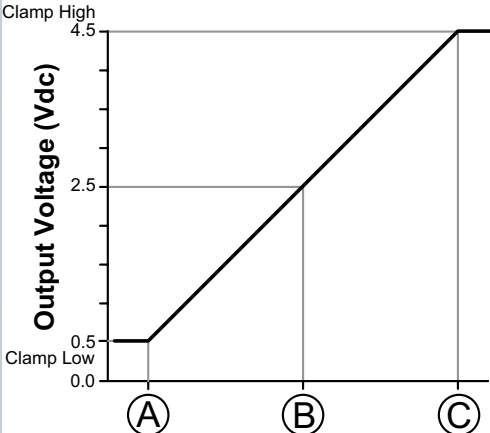
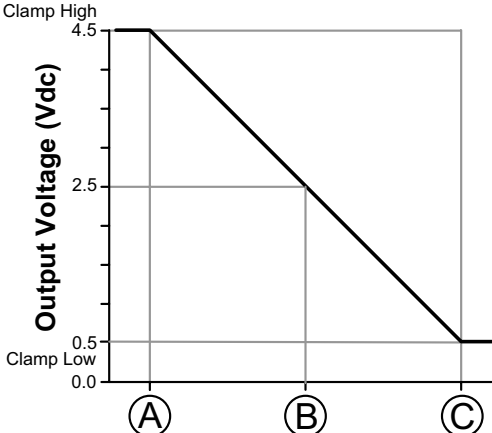
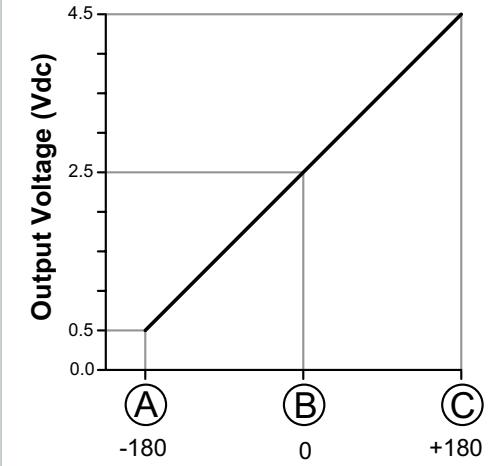
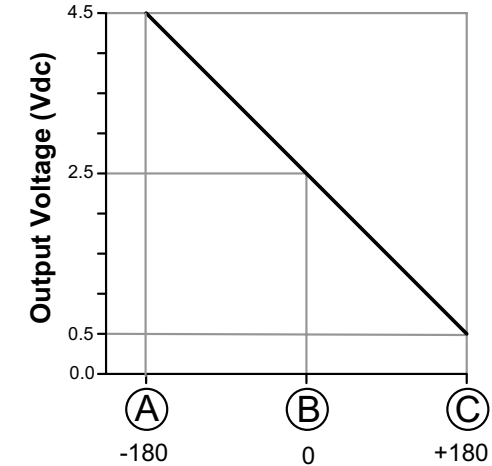
¹ See Figure 3 for references to (A) (B) (C).

² Linearity error is the deviation of the measured value from the best fit line and is the quotient of the measured output ratio deviation from the best fit line at the measured temperature to the best fit line output ratio span at the measured temperature.

³ Accuracy is measured as a deviation from the index line, where the index line is defined as the line with the ideal slope and sensor output voltage corrected at 0° position for its ideal value at 25 °C ±5 °C. Accuracy is valid only when the sensor output is correct at 0° position for its ideal value in the application.

Hall-effect Rotary Position Sensors

Table 5. RTP Series Functional Characteristics¹

Characteristic			Standard Output	Inverted Output		
Sensing Angle	Linearity Error ²	Accuracy Error				
50° (±25°)	±2.0%	—	 <p>Clamp High 4.5</p> <p>Output Voltage (Vdc)</p> <p>2.5</p> <p>0.5</p> <p>Clamp Low 0.0</p> <p>(A) (B) (C)</p> <p>-25 0 +25</p> <p>-30 0 +30</p> <p>-35 0 +35</p> <p>-45 0 +45</p> <p>-60 0 +60</p> <p>-90 0 +90</p> <p>-135 0 +135</p> <p>-175 0 +175</p> <p>Actuator Position (°)</p>	 <p>Clamp High 4.5</p> <p>Output Voltage (Vdc)</p> <p>2.5</p> <p>0.5</p> <p>Clamp Low 0.0</p> <p>(A) (B) (C)</p> <p>-25 0 +25</p> <p>-30 0 +30</p> <p>-35 0 +35</p> <p>-45 0 +45</p> <p>-60 0 +60</p> <p>-90 0 +90</p> <p>-135 0 +135</p> <p>-175 0 +175</p> <p>Actuator Position (°)</p>		
60° (±35°)						
70° (±35°)						
90° (±45°)						
120° (±60°)						
180° (±90°)						
270° (±135°)						
350° (±175°)						
360° (±180°)					 <p>4.5</p> <p>Output Voltage (Vdc)</p> <p>2.5</p> <p>0.5</p> <p>0.0</p> <p>(A) (B) (C)</p> <p>-180 0 +180</p> <p>Actuator Position (°)</p>	 <p>4.5</p> <p>Output Voltage (Vdc)</p> <p>2.5</p> <p>0.5</p> <p>0.0</p> <p>(A) (B) (C)</p> <p>-180 0 +180</p> <p>Actuator Position (°)</p>

¹ See Figure 4 for references to (A) (B) (C).

² Linearity error is the deviation of the measured value from the best fit line and is the quotient of the measured output ratio deviation from the best fit line at the measured temperature to the best fit line output ratio span at the measured temperature.