

# RTY & RTP SERIES

32307665  
Issue B

## Hall-effect Rotary Position Sensors

### DESCRIPTION

The RTY Series and RTP Series Hall-effect Rotary Position Sensors provide non-contact sensing in harsh transportation and industrial applications at a competitive cost.

- **RTY Series:** These shaft activated products are available in two versions: an integral shaft with or without a lever. The lever may allow customers to reduce the number of mechanical linkages required for their applications, which may reduce the cost of the overall customer solution.
- **RTP Series:** Takes non-contact sensing to the next level by separating the magnet from the sensor body. The absence of the actuator shaft removes the wear and tear on the bearings caused by radial forces. A choice of a bare or a housed magnet is available.

These products use a magnetically biased, Hall-effect integrated circuit (IC) to sense rotary movement of the actuator over a set operating range. Rotation of the actuator changes the magnet's position relative to the IC. The resulting flux density change is converted to a linear output.

The IC, together with conditioning and protection circuitry, is sealed in an IP69K-qualified rugged package for durability in most harsh environments.

Eight operating ranges from 50° to 360° are tolerant to over-travel and allow use in most common applications. Low voltage and high voltage versions cover an input voltage range of 4.5 Vdc to 30 Vdc.

Honeywell's industry-leading capabilities in research and development provide the customer with known quality and support.

### FEATURES

- True, non-contact operation
- 35 M cycle product life (RTY Series); unlimited rotation (RTP Series)
- Solid-state Hall-effect technology
- Rugged IP69K-sealed package with integral connector
- Automotive-grade EMI/EMC testing, integrated reverse polarity, and short circuit protection
- Industry-standard AMP termination, 32 mm mounting pitch, North American or European pinout styles, and compact package
- Eight operating ranges up to 360°

### POTENTIAL APPLICATIONS

#### Transportation

- Position and movement detection (pedals, throttles, gear shift, levers, steering, linkages, and hitches) in trucks, buses, off-road vehicles, cranes, and industrial/construction/agricultural vehicles and equipment)
- Suspension/kneeling position (buses, trucks)
- Tilt/trim position (boat engines, tilling equipment)

#### Industrial

- Valve control
- HVAC damper control
- Irrigation equipment pivot control



**Honeywell**

# HALL-EFFECT ROTARY POSITION SENSORS

## RTY AND RTP SERIES

**TABLE 1. ELECTRICAL SPECIFICATIONS**

| CHARACTERISTIC   | RTY SERIES   |  | RTP SERIES   |  |
|--|--|--|--|--|
|  | LV (Low Voltage)   | HV (High Voltage)  | LV (Low Voltage)   | HV (High Voltage)  |
| Supply voltage   | 5 ±0.5 Vdc   | 10 Vdc to 30 Vdc   | 5 ±0.5 Vdc   | 10 Vdc to 30 Vdc   |
| Supply current:<br>normal<br>during output to ground short | 20 mA max.<br>25 mA max.   | 32 mA max.<br>47 mA max.   | 20 mA max.<br>25 mA max.   | 32 mA max.<br>47 mA max.   |
| Output:<br>standard<br><br>inverted                        | 0.5 Vdc to 4.5 Vdc<br>ratiometric<br><br>4.5 Vdc to 0.5 Vdc<br>ratiometric | 0.5 Vdc to 4.5 Vdc<br>non-ratiometric<br>4.5 Vdc to 0.5 Vdc<br>non-ratiometric | 0.5 Vdc to 4.5 Vdc<br>ratiometric<br>4.5 Vdc to 0.5 Vdc<br>ratiometric | 0.5 Vdc to 4.5 Vdc<br>non-ratiometric<br>4.5 Vdc to 0.5 Vdc<br>non-ratiometric |
| Output signal delay  | 4 ms typ.  |  |  |  |
| Overvoltage protection                                     | 10 Vdc   | —  | 10 Vdc   | —  |
| Reverse polarity protection                                | -10 Vdc  | -30 Vdc  | -10 Vdc  | -30 Vdc  |
| Output to ground short<br>circuit protection               | continuous   |  |  |  |
| Resolution   | 12 bit   |  |  |  |
| Output load resistance<br>(pull down to ground)            | 10 kOhm typ.   |  |  |  |
| EMI:<br>radiated immunity                                  | 100 V/m per ISO11452-2 from 200 MHz to 1000 MHz                            |  | 100 V/m per ISO11452-2 from 200 MHz to 1000 MHz                        |  |
| conducted immunity   | 100 mA BCI per ISO11452-4 from 1 MHz to 200 MHz                            | 100 mA BCI per ISO11452-4 from 1 MHz to 400 MHz                                | 100 mA BCI per ISO11452-4 from 1 MHz to 200 MHz                        | 100 mA BCI per ISO11452-4 from 1 MHz to 400 MHz                                |
| EMC  | exceeds CE, UKCA requirements  |  |  |  |

**TABLE 2. MECHANICAL SPECIFICATIONS**

| CHARACTERISTIC  | RTY SERIES   |                   | RTP SERIES   |                   |
|---|--|-------------------|--|-------------------|
|   | LV (Low Voltage)   | HV (High Voltage) | LV (Low Voltage)   | HV (High Voltage) |
| Expected life   | 35 M cycles  |                   | infinite rotation  |                   |
| Air gap:<br>bare magnet actuator<br>housed magnet actuator<br>misalignment  | —<br>—<br>—  |                   | 3,00 mm ±0.5 mm [0.12 in ±0.02 in]<br>2,00 mm ±0.5 mm [0.08 in ±0.02 in]<br>2,00 mm [0.08 in] max. |                   |
| Material:<br>shaft<br>magnet<br>sensor housing<br>housed magnet overmold<br>sensor/housed magnet<br>bushing<br>sensor bushing | stainless steel<br>—<br>PBT plastic<br>—<br>—<br>stainless steel       |                   | —<br>NdFeB<br>PBT plastic<br>PPS plastic<br>brass<br>—   |                   |
| Mating connector  | AMP Superseal 282087-1   |                   |  |                   |
| Mechanical end stop   | no   |                   |  |                   |
| Mounting screw sizes:<br>sensor to mounting surface   | non-magnetic, stainless steel M5 screws and 10 mm [0.39 in] OD washers |                   | non-magnetic, stainless steel M4 X 0.7 screws and 8 mm [0.31 in] OD washers                        |                   |
| lever to mounting surface   | non-magnetic stainless steel M6 screws,                                |                   | —  |                   |
| housed magnet actuator to<br>actuator mounting shaft  | —  |                   | non-magnetic, stainless steel M3 X 0.5 plain cup point set screws                                  |                   |
| Approvals   | CE, UKCA   |                   |  |                   |

# HALL-EFFECT ROTARY POSITION SENSORS

## RTY AND RTP SERIES

**TABLE 3. ENVIRONMENTAL SPECIFICATIONS**

| CHARACTERISTIC              | RTY SERIES  |                   | RTP SERIES   |                   |
|-----------------------------|---|-------------------|--|-------------------|
|                             | LV (Low Voltage)  | HV (High Voltage) | LV (Low Voltage)   | HV (High Voltage) |
| Operating temperature range | -40 °C to 125 °C [-40 °F to 257 °F]   |                   |  |                   |
| Ingress protection          | IP69K   |                   |  |                   |
| Media compatibility         | heavy transportation fluids   |                   |  |                   |
| Shock <sup>1</sup>          | 50 G peak   |                   |  |                   |
| Vibration <sup>1</sup>      | 20 G peak   |                   |  |                   |
| Salt fog                    | concentration 5% ±1% for 240 hr per SAE J1455 Section 4.3.3.1 (at 5.0 Vdc, 38 °C [100 F °]) |                   | bare magnet: 96 hr for as per ASTM B117<br>housed magnet: 240 hr per ASTM B117 |                   |

<sup>1</sup> Does not apply RTY Series sensor shaft with lever.



**NOTICE**  
Ferrous material or magnet material more than 300 Gauss within 10 mm [0.39 in] from sensor boundary may impact sensor performance.

**Figure 1. All Available Configurations**

| Series | Actuator Type   | Series | Actuator Type  |
|--------|---|--------|--|
| RTY    | Integral shaft without lever<br> | RTP    | Separate bare magnet<br>   |
|        | Integral shaft with lever<br>    |        | Separate housed magnet<br> |

# HALL-EFFECT ROTARY POSITION SENSORS

## RTY AND RTP SERIES

FIGURE 2. PRODUCT NOMENCLATURE

### RTY Series

For example, **RTY050LVEAA** defines an RTY Series Hall-Effect Rotary Position Sensor, 50° (±25°) sensing range angle, 5 Vdc supply voltage, European pinout style, 4.5 Vdc (left), 0.5 Vdc (right) output type, shaft without lever actuator type

| RTY<br>Series  | 050<br>Sensing Range Angle | LV<br>Supply Voltage       | E<br>Pinout Style  | A<br>Output Type                                      | A<br>Actuator Type  |
|--|----------------------------|----------------------------|--|---|---|
| RTY Series Hall-Effect Rotary Position Sensor with Integral Actuator | <b>050</b> 50° (±25°)      | <b>LV</b> 5 Vdc            | <b>E</b> European:<br>pin 1 = GND<br>pin 2 = Vcc<br>pin 3 = output       | <b>A</b> Standard:<br>0.5 Vdc (left), 4.5 Vdc (right) | <b>X</b> Shaft without lever<br> |
|  | <b>060</b> 60° (±30°)      | <b>HV</b> 10 Vdc to 30 Vdc |  | <b>B</b> Inverted:<br>4.5 Vdc (left), 0.5 Vdc (right) |   |
|  | <b>070</b> 70° (±35°)      |                            | <b>N</b> North American:<br>pin 1 = Vcc<br>pin 2 = GND<br>pin 3 = output |   | <b>A</b> Shaft with lever<br>    |
|  | <b>090</b> 90° (±45°)      |                            |  |   |   |
|  | <b>120</b> 120° (±60°)     |                            |  |   |   |
|  | <b>180</b> 180° (±90°)     |                            |  |   |   |
|  | <b>270</b> 270° (±135°)    |                            |  |   |   |
|  | <b>360</b> 360° (±180°)    |                            |  |   |   |

### RTP Series

For example, **RTP050LVEBX** defines an RTP Series Hall-Effect Rotary Position Sensor, 50° (±25°) sensing range angle, 5 Vdc supply voltage, European pinout style, inverted 4.5 Vdc (left), 0.5 Vdc (right) output type, bare magnet actuator type

| RTP<br>Series  | 050<br>Sensing Range Angle | LV<br>Supply Voltage       | E<br>Pinout Style  | B<br>Output Type                                      | X<br>Actuator Type  |
|--|----------------------------|----------------------------|--|---|---|
| RTP Series Hall-Effect Rotary Position Sensor with External Actuator | <b>050</b> 50° (±25°)      | <b>LV</b> 5 Vdc            | <b>E</b> European:<br>pin 1 = GND<br>pin 2 = Vcc<br>pin 3 = output       | <b>A</b> Standard:<br>0.5 Vdc (left), 4.5 Vdc (right) | <b>X</b> Bare magnet<br>                                   |
|  | <b>060</b> 60° (±30°)      | <b>HV</b> 10 Vdc to 30 Vdc |  | <b>B</b> Inverted:<br>4.5 Vdc (left), 0.5 Vdc (right) |   |
|  | <b>070</b> 70° (±35°)      |                            | <b>N</b> North American:<br>pin 1 = Vcc<br>pin 2 = GND<br>pin 3 = output |   | <b>A</b> Housed magnet (carrier type "A") <sup>2</sup><br> |
|  | <b>090</b> 90° (±45°)      |                            |  |   |   |
|  | <b>120</b> 120° (±60°)     |                            |  |   |   |
|  | <b>180</b> 180° (±90°)     |                            |  |   |   |
|  | <b>270</b> 270° (±135°)    |                            |  |   |   |
|  | <b>350</b> 350° (±175°)    |                            |  |   |   |
| <b>360</b> 360° (±180°) <sup>1</sup>                                 |                            |                            |  |   |   |

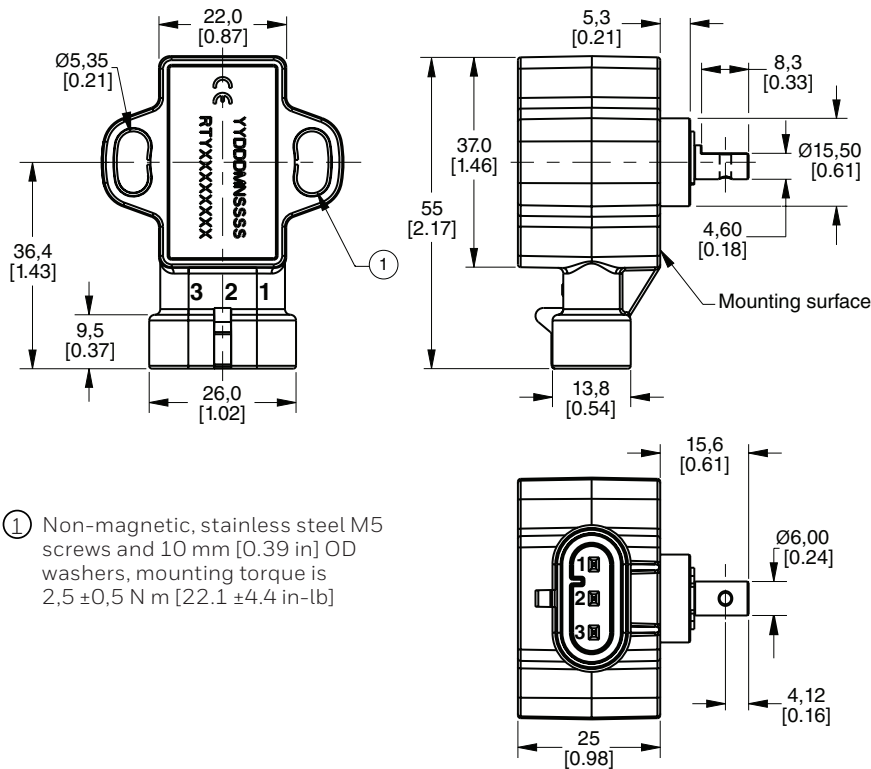
<sup>1</sup> 360° Sensing Range Angle available upon request.

<sup>2</sup> Customized housed magnet actuators available upon request.

# HALL-EFFECT ROTARY POSITION SENSORS RTY AND RTP SERIES

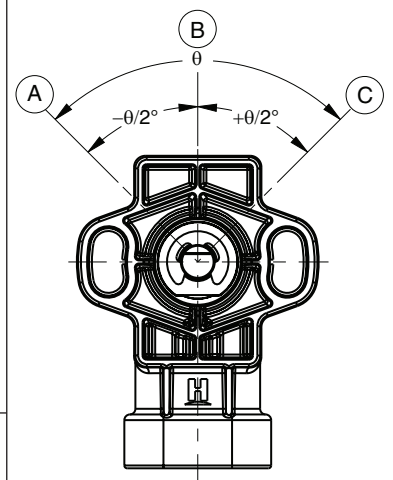
FIGURE 3. RTY SERIES MOUNTING DIMENSIONS (FOR REFERENCE ONLY: MM [IN.])

## Sensor without lever

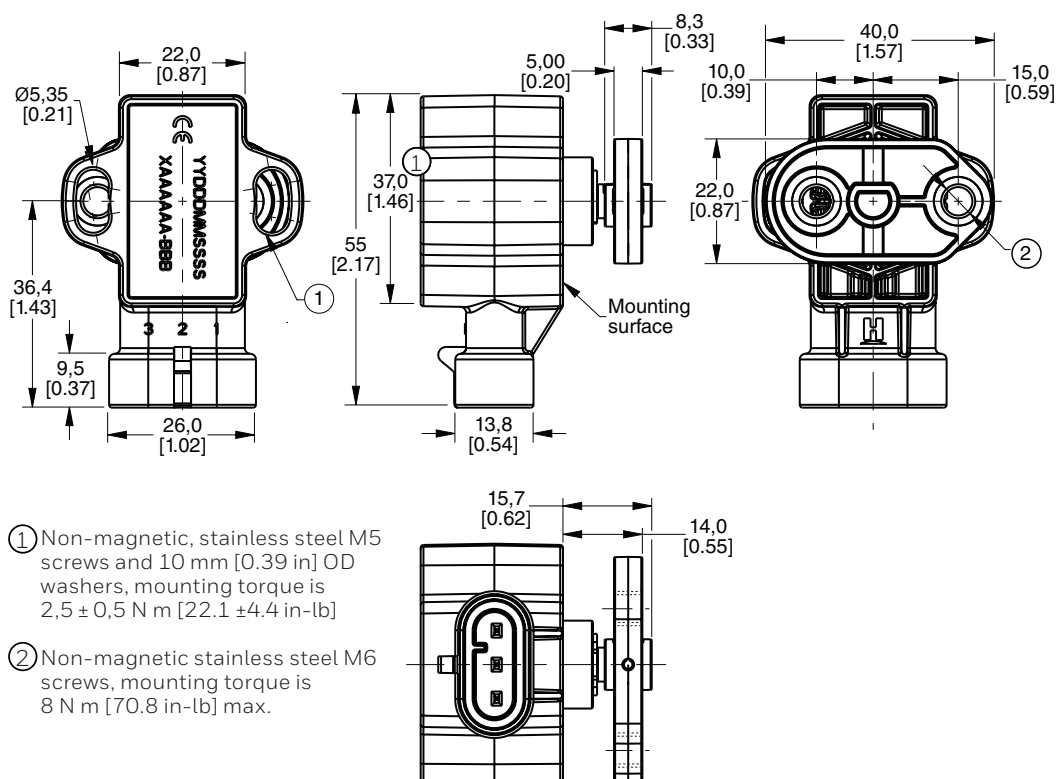


- ① Non-magnetic, stainless steel M5 screws and 10 mm [0.39 in] OD washers, mounting torque is  $2,5 \pm 0,5$  N m [22.1  $\pm$  4.4 in-lb]

## Output diagram



## Sensor with lever



- ① Non-magnetic, stainless steel M5 screws and 10 mm [0.39 in] OD washers, mounting torque is  $2,5 \pm 0,5$  N m [22.1  $\pm$  4.4 in-lb]

- ② Non-magnetic stainless steel M6 screws, mounting torque is 8 N m [70.8 in-lb] max.

### Standard Output

- Ⓐ = Left output: 0.5 Vdc
- Ⓑ = Zero reference
- Ⓒ = Right output: 4.5 Vdc

### Inverted Output

- Ⓐ = Left output: 4.5 Vdc
- Ⓑ = Zero reference
- Ⓒ = Right output: 0.5 Vdc

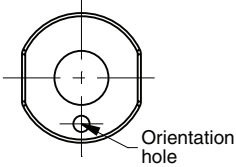
# HALL-EFFECT ROTARY POSITION SENSORS RTY AND RTP SERIES

FIGURE 4. RTP SERIES MOUNTING DIMENSIONS (FOR REFERENCE ONLY: MM [IN].)

## Sensor with bare magnet actuator

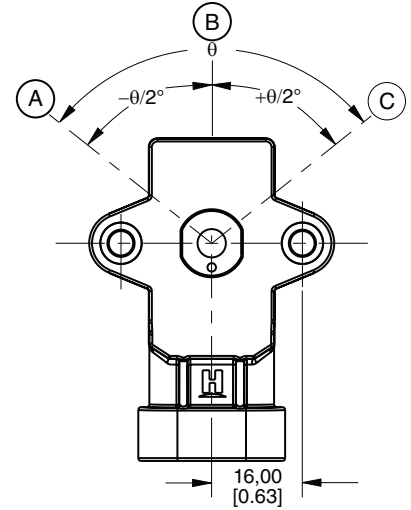


### Bare Magnet



- ① Non-magnetic, stainless steel M4 X 0.7 screws and 8 mm [0.39 in] OD washers, torque is 2,0 ± 0,2 N m [17.7 ± 1.8 in-lb].

## Output Diagram



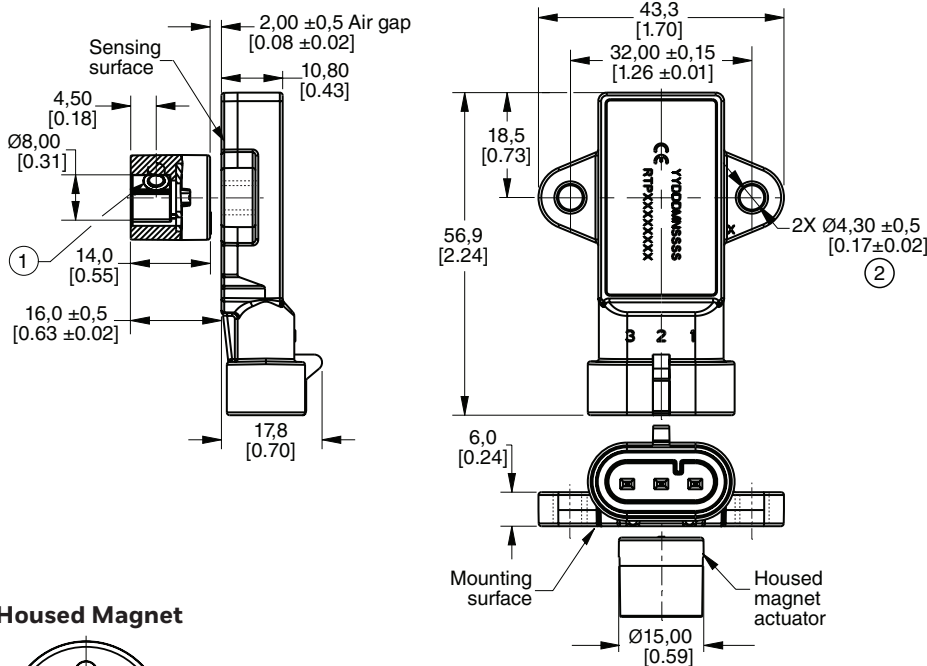
### Standard Output

- Ⓐ = Left output: 0.5 Vdc
- Ⓑ = Zero reference
- Ⓒ = Right output: 4.5 Vdc

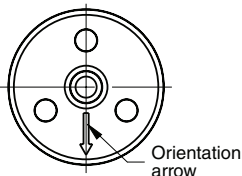
### Inverted Output

- Ⓐ = Left output: 4.5 Vdc
- Ⓑ = Zero reference
- Ⓒ = Right output: 0.5 Vdc

## Sensor with housed magnet actuator

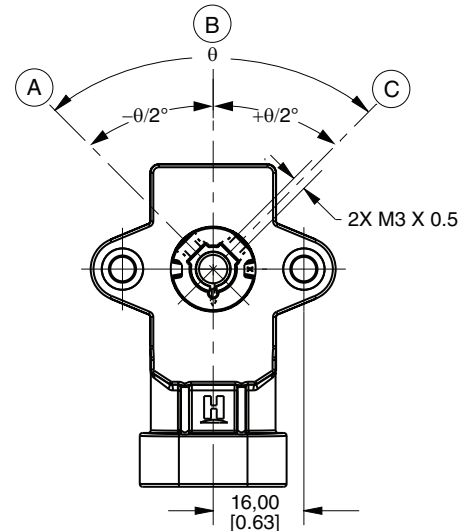


### Housed Magnet



- ① Non-magnetic, stainless steel M3 X 0.5 plain cup point set screws, torque is 0,5 N m to 0,6 N m [4.42 in-lb to 5.31 in-lb]
- ② Non-magnetic, stainless steel M4 X 0.7 screws and 8 mm [0.31 in] OD washers, torque is 2,0 ± 0,2 N m [17.7 ± 1.8 in-lb].

## Output Diagram



### Standard Output

- Ⓐ = Left output: 0.5 Vdc
- Ⓑ = Zero reference
- Ⓒ = Right output: 4.5 Vdc

### Inverted Output

- Ⓐ = Left output: 4.5 Vdc
- Ⓑ = Zero reference
- Ⓒ = Right output: 0.5 Vdc

# HALL-EFFECT ROTARY POSITION SENSORS

## RTY AND RTP SERIES

**TABLE 4 RTY SERIES FUNCTIONAL CHARACTERISTICS<sup>1</sup>**

| CHARACTERISTIC |                              |                             | STANDARD OUTPUT | INVERTED OUTPUT |
|----------------|------------------------------|-----------------------------|-----------------|-----------------|
| Sensing Angle  | Linearity Error <sup>2</sup> | Accuracy Error <sup>3</sup> |                 |                 |
| 50° (±25°)     | ±1.0%                        | ±1.6%                       |                 |                 |
| 60° (±35°)     |                              |                             |                 |                 |
| 70° (±35°)     |                              |                             |                 |                 |
| 90° (±45°)     |                              |                             |                 |                 |
| 120° (±60°)    |                              |                             |                 |                 |
| 180° (±90°)    |                              |                             |                 |                 |
| 270° (±135°)   |                              |                             |                 |                 |
| 360° (±180°)   |                              |                             |                 |                 |

<sup>1</sup> See Figure 3 for references to (A) (B) (C)

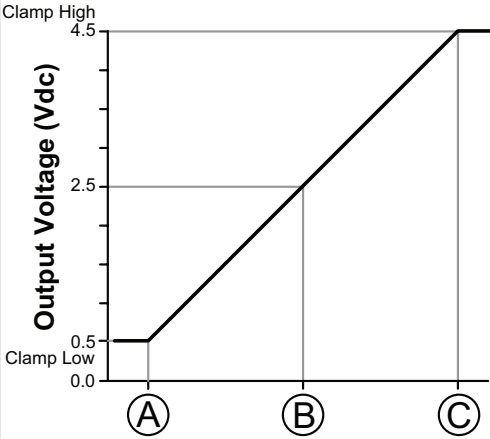
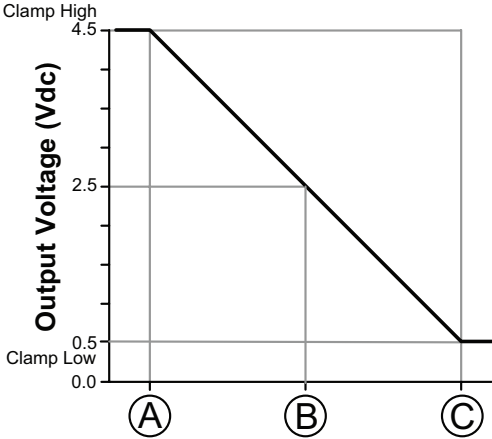
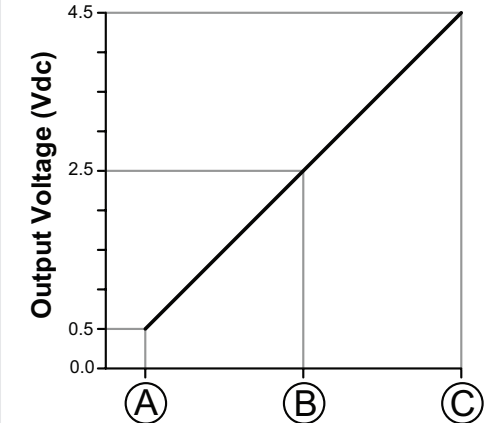
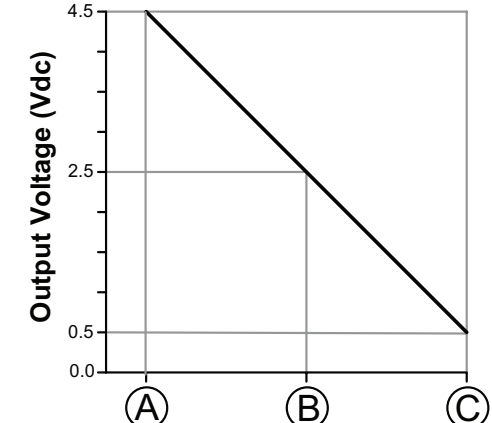
<sup>2</sup> Linearity error is the deviation of the measured value from the best fit line and is the quotient of the measured output ratio deviation from the best fit line at the measured temperature to the best fit line output ratio span at the measured temperature.

<sup>3</sup> Accuracy is measured as a deviation from the index line, where the index line is defined as the line with the ideal slope and sensor output voltage corrected at 0° position for its ideal value at 25 °C ± 5 °C. Accuracy is valid only when the sensor output is correct at 0° position for its ideal value in the application.

# HALL-EFFECT ROTARY POSITION SENSORS

## RTY AND RTP SERIES

**TABLE 5. RTP SERIES FUNCTIONAL CHARACTERISTICS<sup>1</sup>**

| CHARACTERISTIC |                              |                | STANDARD OUTPUT  | INVERTED OUTPUT  |  |  |
|----------------|------------------------------|----------------|--|--|--|--|
| Sensing Angle  | Linearity Error <sup>2</sup> | Accuracy Error |  |  |  |  |
| 50° (±25°)     | ±2.0%                        | —              |  <p>Clamp High 4.5</p> <p>Output Voltage (Vdc)</p> <p>2.5</p> <p>0.5</p> <p>Clamp Low 0.0</p> <p>(A) (B) (C)</p> <p>-25 0 +25</p> <p>-30 0 +30</p> <p>-35 0 +35</p> <p>-45 0 +45</p> <p>-60 0 +60</p> <p>-90 0 +90</p> <p>-135 0 +135</p> <p>-175 0 +175</p> <p>Actuator Position (°)</p> |  <p>Clamp High 4.5</p> <p>Output Voltage (Vdc)</p> <p>2.5</p> <p>0.5</p> <p>Clamp Low 0.0</p> <p>(A) (B) (C)</p> <p>-25 0 +25</p> <p>-30 0 +30</p> <p>-35 0 +35</p> <p>-45 0 +45</p> <p>-60 0 +60</p> <p>-90 0 +90</p> <p>-135 0 +135</p> <p>-175 0 +175</p> <p>Actuator Position (°)</p> |  |  |
| 60° (±35°)     |                              |                |  |  |  |  |
| 70° (±35°)     |                              |                |  |  |  |  |
| 90° (±45°)     |                              |                |  |  |  |  |
| 120° (±60°)    |                              |                |  |  |  |  |
| 180° (±90°)    |                              |                |  |  |  |  |
| 270° (±135°)   |                              |                |  |  |  |  |
| 350° (±175°)   |                              |                |  |  |  |  |
| 360° (±180°)   |                              |                |  |  |  <p>4.5</p> <p>Output Voltage (Vdc)</p> <p>2.5</p> <p>0.5</p> <p>0.0</p> <p>(A) (B) (C)</p> <p>-180 0 +180</p> <p>Actuator Position (°)</p> |  <p>4.5</p> <p>Output Voltage (Vdc)</p> <p>2.5</p> <p>0.5</p> <p>0.0</p> <p>(A) (B) (C)</p> <p>-180 0 +180</p> <p>Actuator Position (°)</p> |

<sup>1</sup> See Figure 4 for references to (A) (B) (C)

<sup>2</sup> Linearity error is the deviation of the measured value from the best fit line and is the quotient of the measured output ratio deviation from the best fit line at the measured temperature to the best fit line output ratio span at the measured temperature.