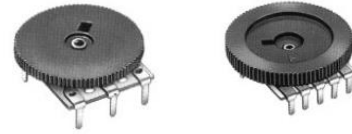


10mm Thin Micro Potentiometer

Application

- ✓ TV/Video, Audio, Home appliance, Musical Instruments, Industrial control



Feature

- ✓ Low-profile

■Specification

Rated Power	0.03W
Total Resistance Tolerance	±20%
Insulation Resistance	100MΩ min. at DC100V
Dielectric Strength	AC100V for 1 minute
Total Rotational Angle	270±5°
Rotational Torque	10-100 gf.cm
Rotation Life	10,000 cycles

■How to order

RV100F-30 – 6K2B - B10K – B301

[Model](#)

[Knob Type](#)

Taper and Resistance Value

Ex:

Order Code	Taper	Resistance Value
A100K	Audio/Log/A	100KΩ
B1M	Linear/B	1MΩ
C500K	Rev-log/C	500KΩ

Taper: A, B and C

Resistance Value: 1KΩ to 500KΩ and 1MΩ

*Contact us for other requirements.


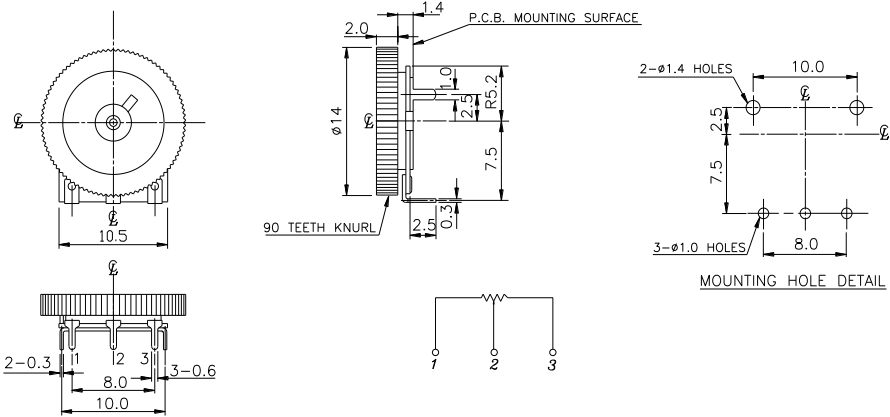

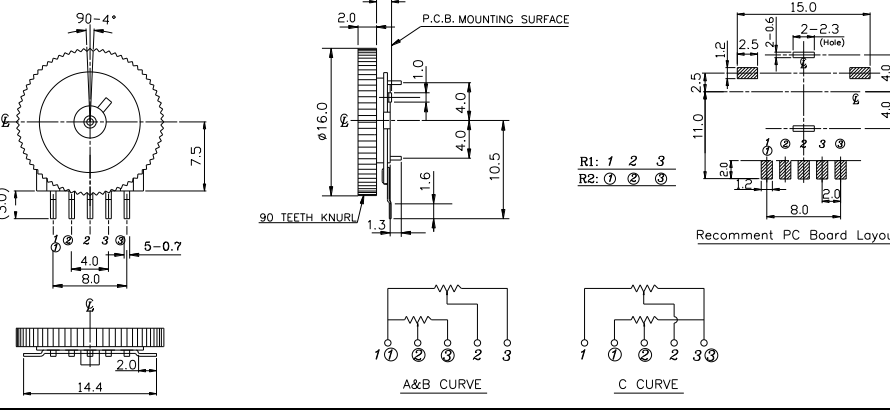

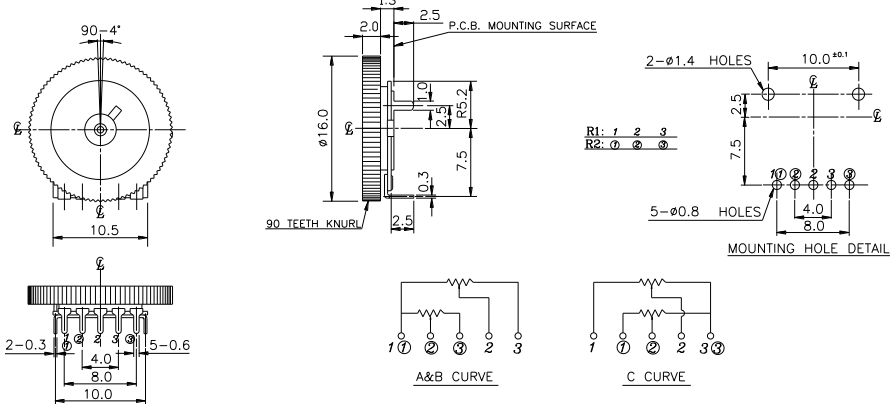
Knob

Order Code	Description
B309	With knob

10mm Thin Micro Potentiometer

■ Model Description

Model	Number of Unit	Terminal Type	Rotational Angle
RV100F-30	Single unit	Vertical	270°±5°
RV102F-20	Dual unit	Horizontal	270°±5°
RV102F-30	Dual unit	Vertical	270°±5°

Order Code	Outline Drawing
RV100F-30 	
RV102F-20 	
RV102F-30 	

[Back to top](#)