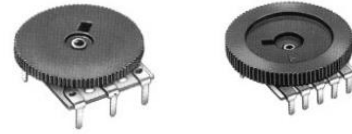


## 10mm Thin Micro Potentiometer

### Application

- ✓ TV/Video, Audio, Home appliance, Musical Instruments, Industrial control



### Feature

- ✓ Low-profile

### ■Specification

Rated Power	0.03W
Total Resistance Tolerance	±20%
Insulation Resistance	100MΩ min. at DC100V
Dielectric Strength	AC100V for 1 minute
Total Rotational Angle	270±5°
Rotational Torque	10-100 gf.cm
Rotation Life	10,000 cycles

### ■How to order

RV100F-30 – 6K2B - B10K – B301

[Model](#)

[Knob Type](#)

Taper and Resistance Value

Ex:

Order Code	Taper	Resistance Value
A100K	Audio/Log/A	100KΩ
B1M	Linear/B	1MΩ
C500K	Rev-log/C	500KΩ

Taper: A, B and C

Resistance Value: 1KΩ to 500KΩ and 1MΩ

\*Contact us for other requirements.


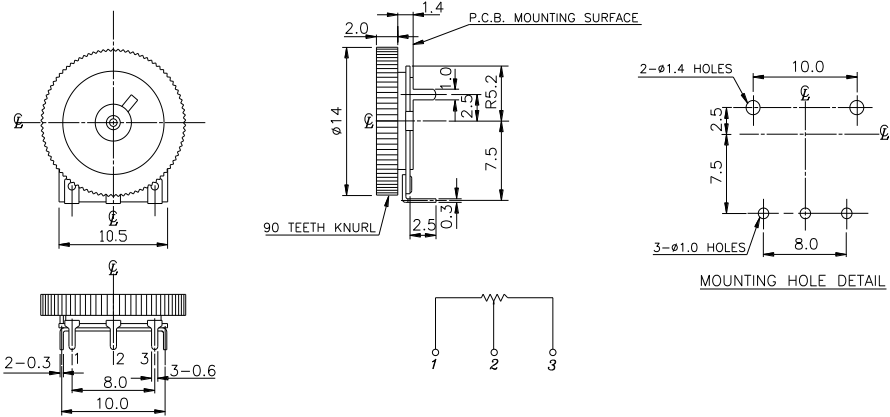

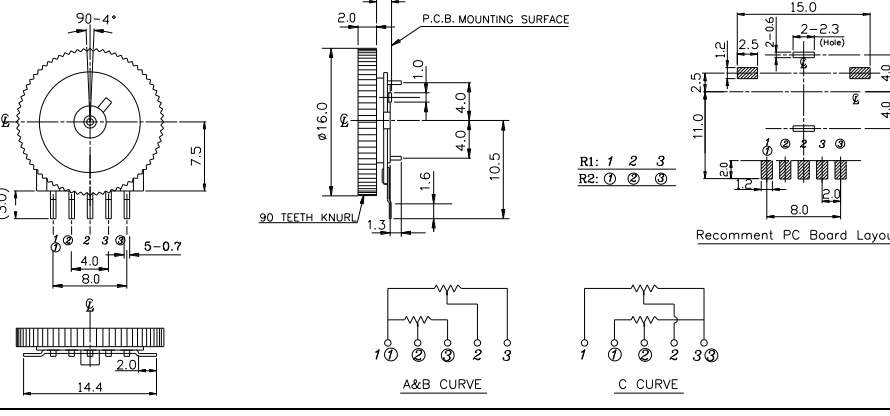

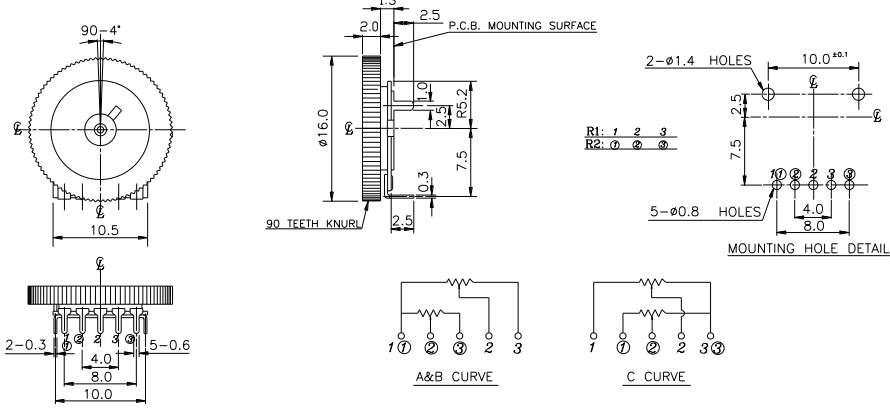
Knob

Order Code	Description
B309	With knob

## 10mm Thin Micro Potentiometer

### Model Description

Model	Number of Unit	Terminal Type	Rotational Angle
<a href="#">RV100F-30</a>	Single unit	Vertical	270°±5°
<a href="#">RV102F-20</a>	Dual unit	Horizontal	270°±5°
<a href="#">RV102F-30</a>	Dual unit	Vertical	270°±5°

Order Code	Outline Drawing
RV100F-30 	
RV102F-20 	
RV102F-30 	

[Back to top](#)