

## 12mm Molded Case Series

### Application

- ✓ Audio

### Feature

- ✓ Low-profile



### ■Specification

Total Rotational Angle	230±5°
Maximum Operating Voltage	Linear taper (B): 150V, other tapers: 100V
Insulation Resistance	50MΩ at DC500V
Dielectric Strength	AC500V for 1 minute
Rotational Torque	20-200 gf.cm
Switch Working Angle	30±10°
Switch Working Torque	50-300 gf.cm
Switch Rating	12V DC 0.5A
Switch Circuit	S.P.S.T
Rotation Life	15,000 cycles

### ■How to order

RV121F-30 – 012J - B10K – 00K

[Model](#)

[Shaft Type](#)

#### Taper and Resistance Value

Ex:

Order Code	Taper	Resistance Value
A100K	Audio/Log/A	100KΩ
B1M	Linear/B	1MΩ
C500K	Rev-log/C	500KΩ

Taper: A, B and C

Resistance Value: 1KΩ to 500KΩ and 1MΩ

\*Contact us for other requirements.


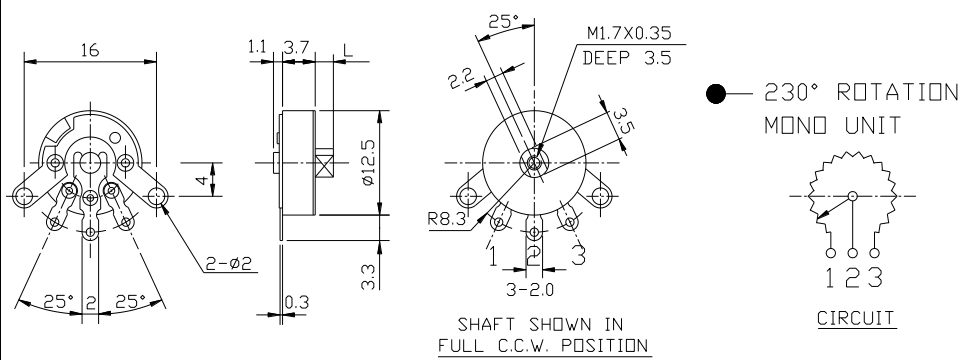


#### Knob and Screw

Order Code	Description
Blank	Without
00K	With

## 12mm Molded Case Series

### Model Description

Model	Number of Unit	Terminal Type	Switch	Rotational Angle
<a href="#">RV121F-10</a>	Single unit	Solder lug	Without switch	230°±5°
<a href="#">RV121F-30</a>	Single unit	PCB board (vertical); front	Without switch	230°±5°
<a href="#">RV121SF-20</a>	Single unit	PCB board (horizontal)	With switch	230°±5°
<a href="#">RV121SF-30</a>	Single unit	PCB board (vertical); front	With switch	230°±5°

Order Code	Outline Drawing
RV121F-10 	 <p>SHAFT SHOWN IN FULL C.C.W. POSITION</p>
RV121F-30 	 <p>SHAFT SHOWN IN FULL C.C.W. POSITION</p> <p>P.C.B. MOUNTING HOLE DETAIL</p>

[Back to top](#)