

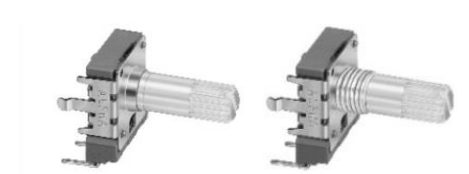
## 14mm Rotary Type, Snap-In, Transparent Shaft

### Application

- ✓ TV/Video, Audio, Home appliance, Musical instrument

### Feature

- ✓ Light pipe compatible with DIP LED



### ■Specification

Total Rotational Angle	300±5°
Maximum Operating Voltage	RV141F: 50V AC (RV141F is designed for AC voltage only),
Insulation Resistance	100MΩ min at DC250V
Dielectric Strength	AC300V for 1 minute
Rotational Torque	RV141F: 10-200 gf.cm
Click Torque	RV141F: 30-200 gf.cm
Rotational Stop Strength of the Shaft	RV141F: 4 kgf.cm min
Push/Pull Strength of the Shaft	8kgf for 3 sec
Rotation Life	15,000 cycles

### ■How to order

RV141F-40 - 25BL - B10K - 0C

[Model](#)

[Shaft Type](#)

#### Taper and Resistance Value

Order Code	Taper	Resistance Value
A100K	Log/A	100KΩ
B1M	Linear/B	1MΩ
C500K	Rev-log/C	500KΩ

Taper: A, B and C

Resistance Value: 1KΩ to 500KΩ and 1MΩ

\*Contact us for other requirements.


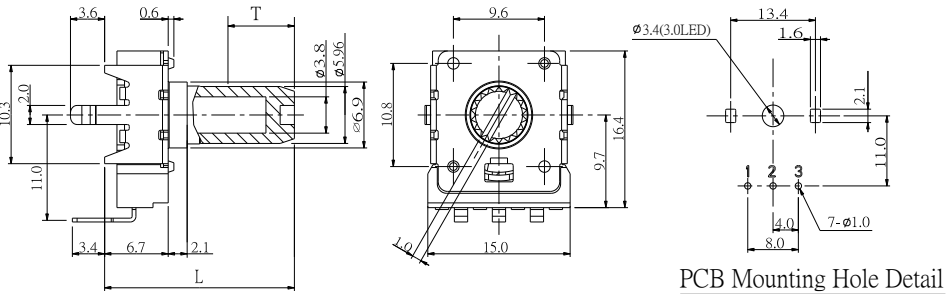

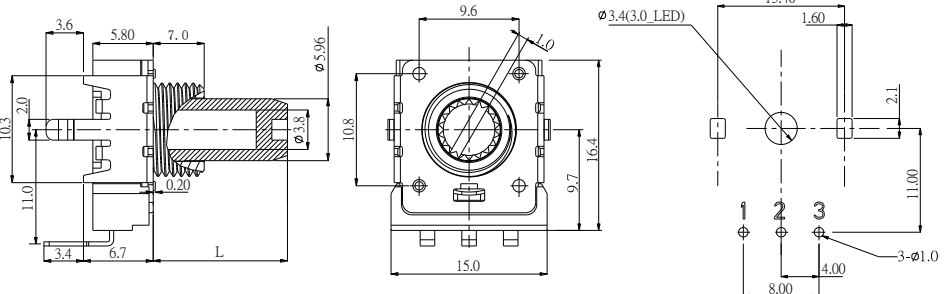
#### Click

Order Code	Description
Blank	No click
0C	With center click

## 14mm Rotary Type, Snap-In, Transparent Shaft

### Model Description

Model	Number of Unit	Terminal Type	Bushing	Rotational Angle
<a href="#">RV141F-40</a>	Single unit	Vertical	N/A	300±5°
<a href="#">RV141F-40E3</a>	Single unit	Vertical	Bushing	300±5°

Order Code	Outline Drawing
RV141F-40 (Transparent Shaft) 	 <p>PCB Mounting Hole Detail</p>
RV141F-40E3 (Transparent Shaft) 	 <p>PCB Mounting Hole Detail</p>

[Back to top](#)