

CUSTOMER'S NAME

Mouser Electronics

ALPHA REFERENCE NO.

SP20120197




SPECIFICATION

PART NO.	ALPHA MODEL NAME
	RV170F-10-15R1-B2M-0021

MODEL NAME

MODEL NO.

APPROVAL

PREPARED BY	REVIEWED BY	APPROVED BY
 2021.1.02 鄧彩霞	 2021-1-5 李延玲	 2021.1.05 張祖衛



台灣艾華電子工業股份有限公司

33045 桃園市桃園區中正路 1221 號 9 樓

TAIWAN ALPHA ELECTRONIC CO., LTD.

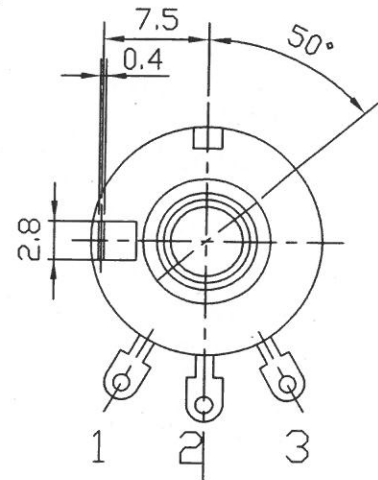
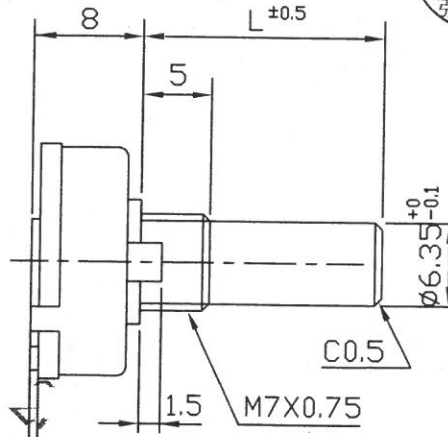
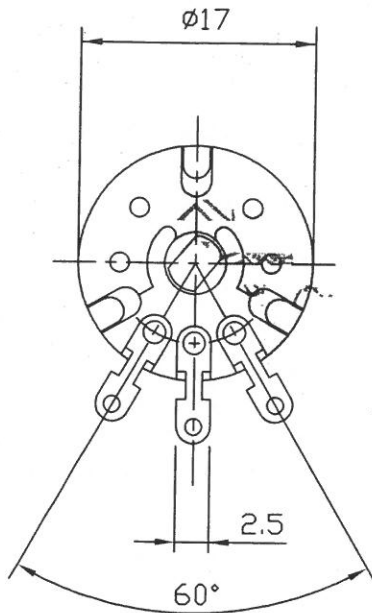
9F, No. 1221, Chung Cheng Rd., Taoyuan Dist., Taoyuan City, 330 Taiwan

Tel: 886-3-3577799 Fax: 886-3-3577700

EMAIL: sales@taiwanalpha.com.tw

URL: http://www.taiwanalpha.com

文管中心
2019.07.16
發行章

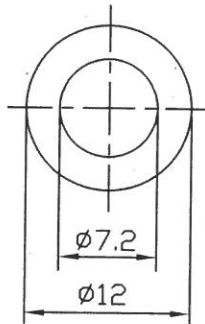
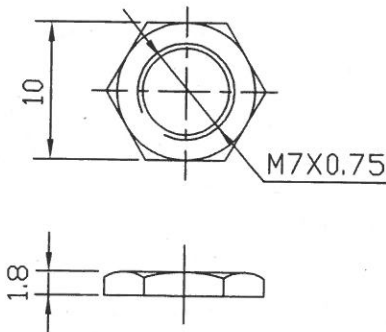


SHAFT SHOWN IN FULL C.C.W. POSITION

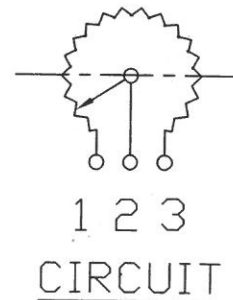
	L
✓	15
○	115

NUT 1 PC

WASHER 1 PC t=0.4



● 260° ROTATION MONO UNIT



東莞艾華電子有限公司
2019-07-17
收文日

							(-0028)
							(-0027)
							RV170F-10-(L)R1-XXX(-0021)
No.	DATE	DESCRIPTION	MODEL NAME				
TOL.UNILESS OTHERWISE STATED	DIMENSION	SCALE	DRAWN BY	CHECKED BY	APPROVED BY	DRAWING No.	
less than 10 ±0.3	mm	2:1	姚 2019.7.12 榕偉		章 2019.7.12 祖衛		
above 10~30 ±0.5							
above 30~100 ±1.0							
above ±5'							

	NOTE	DATE
CUSTOMER'S NAME		
CUSTOMER'S PART NAME		
CUSTOMER'S DRAWING NO.		

1. MECHANICAL SPECIFICATION		2. ELECTRICAL SPECIFICATION	
1. OUTSIDE DIMENSION	append fig.	terminal 1-3	2M $\Omega \pm 30\%$
2. TOTAL ROTATION ANGLE	degree	terminal 1-4	$\Omega \pm$
3. TOTAL TRAVEL STROKE	mm	temp 0~50°C	0.1 W
4. NUT WIRING STRENGTH	twisting moment		200 V
5. SCREW TIGHTENING FORCE	torsional moment		50 %point
6. ROTATION TORQUE	speed 60 deg/sec.		40 ~ 60 %
7. SLIDING FORCE	speed 20mm/sec	terminal 1/3 side	less than 20/30 Ω
8. SHAFT LEVER STRENGTH	pulling pushing	terminal 4 side	less than 100 Ω
9. SHAFT LEVER WOBBLE	within mm (bending moment)		less than 47 mV
10. SHAFT LEVER STOP STRENGTH	more than 3 kgf.cm (static load) / more than 500 gf.cm / 10 ± 1 sec	more than 50 M Ω (DC)	500 V)
11. TERMINAL STRENGTH	soldering heat 350 ± 5 C/3sec. 200gf.cm/10 ± 1 sec resist change within $\pm 2\%$	AC 500	V 1 minute
12. CLICK POSITION & TORQUE	gf.cm	M Ω	less than m Ω
13. SWITCH WORKING ANGLE (STROKE)	degree (mm)		
14. SWITCH WORKING TORQUE (FORCE)	gf.cm		
15. SWITCH CIRCUIT			

3. USABLE TEMPERATURE RANGE: from -10°C to 70°C

4. VR LIFE 15,000 \pm TIMES

RESISTANCE CHANGE: within \pm %

mV

SW LIFE \pm TIMES

m Ω

SHAFT

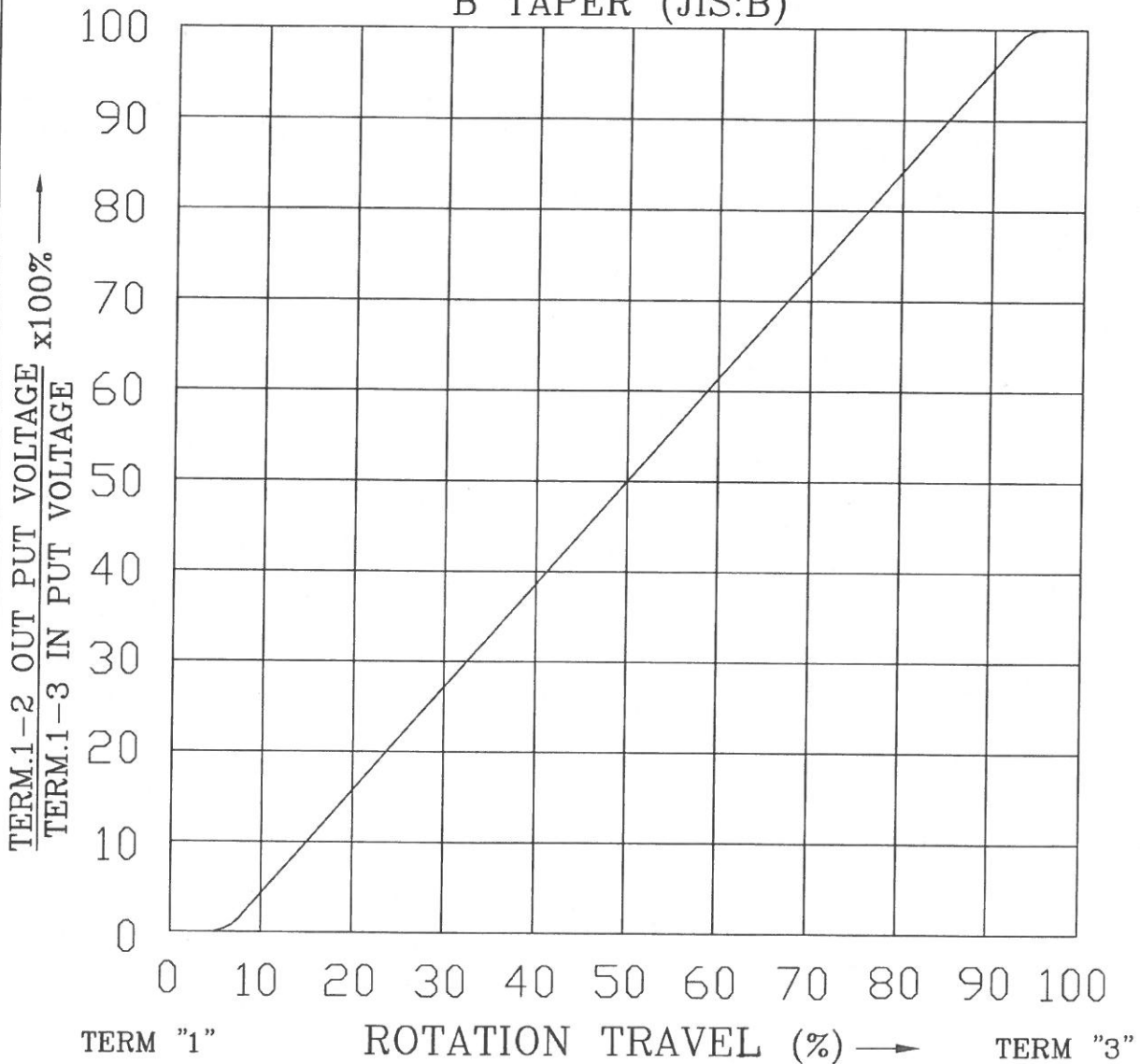
MATERIAL	ANGLE OF FLAT OR SLOT θ	DIMENSION		
		M	L	F
	at		15	T

MODEL NAME	DRAWING NO.
RV170F-10-15R1-B2M-0021	

REFERENCE NO.	REV

STANDARD RESISTANCE TAPER

B TAPER (JIS:B)



NO.	DATE	DESCRIPTION	MODEL NAME			
TOL. UNLESS OTHERWISE STATED	DIMENSION	SCALE	DRAWN BY	CHECKED BY	APPROVED BY	DRAWING NO.
less than 10 ±0.5	mm		何	王	王	
above 10 ~ 30 ±0.5			90.8.21	90.8.21	90.8.21	
above 30 ~100 ±1.0			建志	茂松	茂松	
above ±5°						