

THIS DOCUMENT CONTAINS PROPRIETARY DATA OF POLARIS INDUSTRIAL ENTERPRISES, INC. NO DISCLOSURE, REPRODUCTION, OR USE OF ANY PART THERE OF MAY BE MADE EXCEPT BY WRITTEN PERMISSION.

REV.	BY	DATE	APPRVL.	P/N	RV4NAYSJ
------	----	------	---------	-----	----------

SPECIFICATIONS

RESISTANCE RANGE ----- 1K,5K,10K  
RESISTANCE TOLERANCE ----- ±10%  
POWER RATING -----2 WATTS @70°C  
DERATED TO 0 WATTS AT 120°C  
MECHANICAL ANGLE ----- 314°  
OPERATING VOLTAGE ----- 500V SUBJECT TO POWER RATING  
INSULATION RESISTANCE ----- DRY: 10K MEG OHM  
WET: 100K MEG OHM  
DIELECTRIC STRENGTH ----- 900 V RMS AT SEA LEVEL  
OPERATING TORQUE ----- 1 OZ/IN TO 6 OZ/IN  
OPERATING TEMPERATURE ----- -65°C TO +125°C  
ROTATIONAL LIFE ----- 25,000 CYCLES

MATERIALS

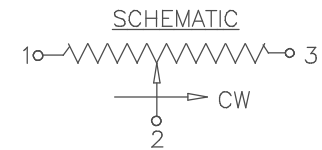
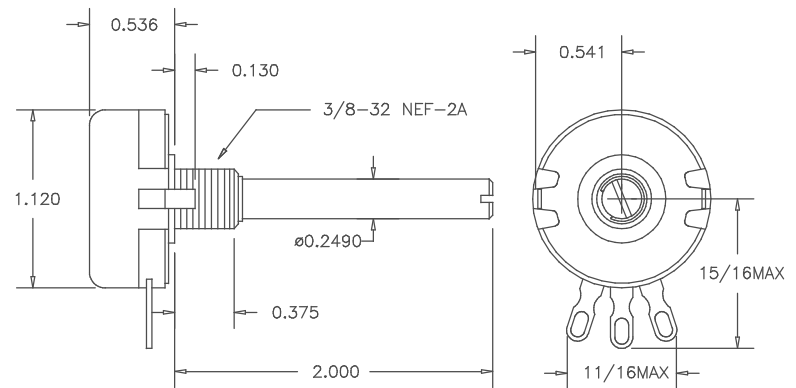
HOUSING ----- STAINLESS STEEL  
TERMINALS ----- GOLD PLATED  
SHAFT ----- STAINLESS STEEL  
RESISTIVE ELEMENT ----- HOT MOLDED CARBON

ENVIRONMENTAL

RESISTANCE TO SOLDERING HEAT ----- 350°C FOR 5 SECONDS  
HUMIDITY RANGE ----- PER MIL-R-94  
VIBRATION RANGE ----- PER MIL-R-94  
SHOCK RESISTANCE ----- PER MIL-R-94  
LOAD LIFE ----- 1000 Hr AT 70°C

OPTIONS

- OTHER STANDARD RESISTANCE VALUES AVAILABLE
- CUSTOM SHAFTS AND BUSHINGS
- SPECIAL TAPERS
- FOURTH ( CENTER) TERMINAL
- HIGH LIFE
- ATTACHED SWITCH



**TOLERANCES**  
XX = +/- .010" FRACT. = +/- 1/64"  
XXX = +/- .005" ANGLES = +/- 1/2"  
ALL SPECIFICATIONS SUBJECT TO CHANGE WITHOUT NOTICE.

SCALE NONE	DATE: 12-7-07
	BY AT
	APPR'D
CODE IDENT: 19477	



ETI SYSTEMS  
CARLSBAD CALIFORNIA

TITLE  
SINGLE TURN  
POTENTIOMETER

PART NO.  
RV4NAYSJ

THIS DOCUMENT CONTAINS PROPRIETARY DATA OF POLARIS INDUSTRIAL ENTERPRISES, INC. NO DISCLOSURE, REPRODUCTION, OR USE OF ANY PART THERE OF MAY BE MADE EXCEPT BY WRITTEN PERMISSION.

REV.	BY	DATE	APPRVL.	P/N
				RV4NAYS D

SPECIFICATIONS

RESISTANCE RANGE ----- 100,500,1K,5K,10K,50K,100K,1MEG OHM  
 RESISTANCE TOLERANCE ----- ±10%  
 POWER RATING -----2 WATTS @70°C  
 DERATED TO 0 WATTS AT 120°C  
 MECHANICAL ANGLE ----- 314°  
 OPERATING VOLTAGE ----- 500V SUBJECT TO POWER RATING  
 INSULATION RESISTANCE ----- DRY: 10K MEG OHM  
 WET: 100K MEG OHM  
 DIELECTRIC STRENGTH ----- 900 V RMS AT SEA LEVEL  
 OPERATING TORQUE ----- 1 OZ/IN TO 6 OZ/IN  
 OPERATING TEMPERATURE ----- -65°C TO +125°C  
 ROTATIONAL LIFE ----- 25,000 CYCLES

MATERIALS

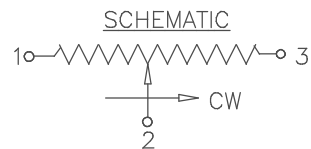
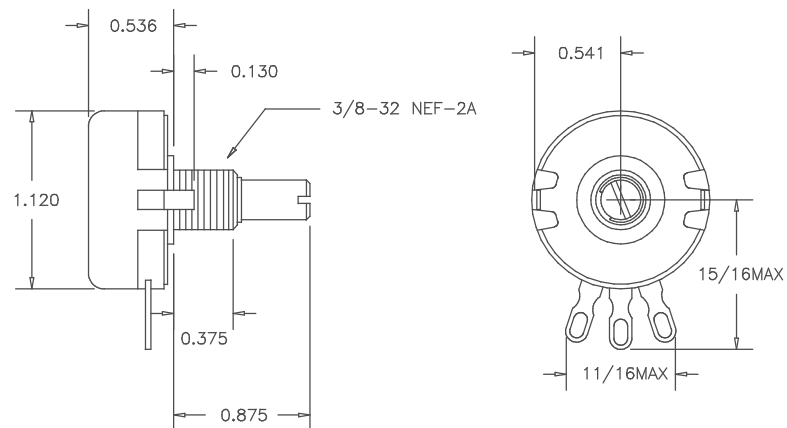
HOUSING ----- STAINLESS STEEL  
 TERMINALS ----- GOLD PLATED  
 SHAFT ----- STAINLESS STEEL  
 RESISTIVE ELEMENT ----- HOT MOLDED CARBON

ENVIRONMENTAL

RESISTANCE TO SOLDERING HEAT ----- 350°C FOR 5 SECONDS  
 HUMIDITY RANGE ----- PER MIL-R-94  
 VIBRATION RANGE ----- PER MIL-R-94  
 SHOCK RESISTANCE ----- PER MIL-R-94  
 LOAD LIFE ----- 1000 Hr AT 70°C

OPTIONS

- OTHER STANDARD RESISTANCE VALUES AVAILABLE
- CUSTOM SHAFTS AND BUSHINGS
- SPECIAL TAPERS
- FOURTH ( CENTER) TERMINAL
- HIGH LIFE
- ATTACHED SWITCH



TOLERANCES  
 XX = +/- .010" FRACT. = +/- 1/64"  
 XXX = +/- .005" ANGLES = +/- 1/2°  
 ALL SPECIFICATIONS SUBJECT TO CHANGE WITHOUT NOTICE.

SCALE	DATE: 12-7-07
NONE	BY AT
CODE	APPR'D
IDENT: 19477	



TITLE  
 SINGLE TURN  
 POTENTIOMETER

PART NO.  
 RV4NAYS D