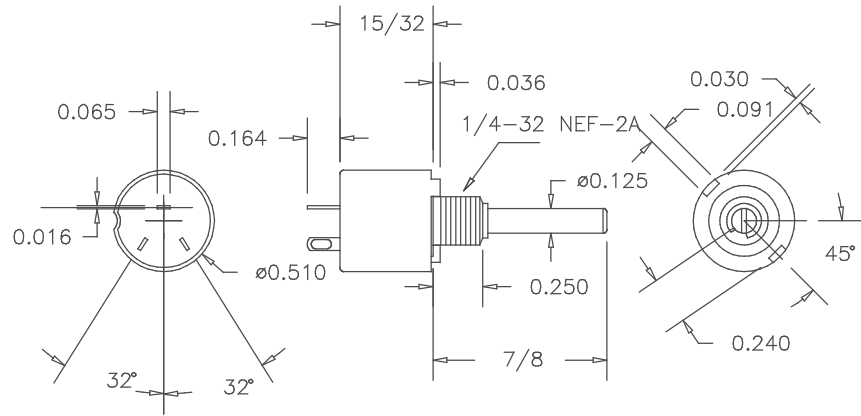


THIS DOCUMENT CONTAINS PROPRIETARY DATA OF POLARIS INDUSTRIAL ENTERPRISES, INC. NO DISCLOSURE, REPRODUCTION, OR USE OF ANY PART THERE OF MAY BE MADE EXCEPT BY WRITTEN PERMISSION.

REV. BY DATE APPRVL. P/N RV6NAYSD

SPECIFICATIONS

RESISTANCE RANGE ----- 1K,5K,10K
 RESISTANCE TOLERANCE ----- ±10%
 POWER RATING ----- .5 WATT @70°C
 ----- DERATED TO 0 WATTS AT 120°C
 MECHANICAL ANGLE ----- 295°
 OPERATING VOLTAGE ----- 350V SUBJECT TO POWER RATING
 INSULATION RESISTANCE ----- DRY: 10K MEG OHM
 ----- WET: 100K MEG OHM
 DIELECTRIC STRENGTH ----- 750 V RMS AT SEA LEVEL
 OPERATING TORQUE ----- 0.5 OZ/IN TO 6 OZ/IN
 OPERATING TEMPERATURE ----- -65°C TO +125°C
 ROTATIONAL LIFE ----- 25,000 CYCLES



MATERIALS

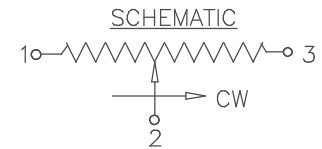
ONE PIECE HOUSING AND BUSHING
 TERMINALS ----- GOLD PLATED
 SHAFT ----- STAINLESS STEEL
 RESISTIVE ELEMENT ----- HOT MOLDED CARBON

ENVIRONMENTAL

RESISTANCE TO SOLDERING HEAT ----- 350°C FOR 5 SECONDS
 HUMIDITY RANGE ----- PER MIL-R-94
 VIBRATION RANGE ----- PER MIL-R-94
 SHOCK RESISTANCE ----- PER MIL-R-94
 LOAD LIFE ----- 1000 Hr AT 70°C

OPTIONS

OTHER STANDARD RESISTANCE VALUES AVAILABLE
 CUSTOM SHAFTS AND BUSHINGS
 SPECIAL TAPERS



TOLERANCES
 XX = +/- .010" FRACT. = +/- 1/64"
 XXX = +/- .005" ANGLES = +/- 1/2"
 ALL SPECIFICATIONS SUBJECT TO CHANGE WITHOUT NOTICE.

SCALE	DATE:	12-7-07
	BY	AT
NONE	APPR'D	
CODE	IDENT:	19477



TITLE
 SINGLE TURN
 POTENTIOMETER

PART NO.
 RV6NAYSD

THIS DOCUMENT CONTAINS PROPRIETARY DATA OF POLARIS INDUSTRIAL ENTERPRISES, INC. NO DISCLOSURE, REPRODUCTION, OR USE OF ANY PART THEREOF MAY BE MADE EXCEPT BY WRITTEN PERMISSION.

REV.	BY	DATE	APPRVL.	P/N	RV6LAYS

SPECIFICATIONS

RESISTANCE RANGE ----- 1K,5K,10K
 RESISTANCE TOLERANCE ----- ±10%
 POWER RATING ----- .5 WATT @70°C
 ----- DERATED TO 0 WATTS AT 120°C
 MECHANICAL ANGLE ----- 295°
 OPERATING VOLTAGE ----- 350V SUBJECT TO POWER RATING
 INSULATION RESISTANCE ----- DRY: 10K MEG OHM
 ----- WET: 100K MEG OHM
 DIELECTRIC STRENGTH ----- 750 V RMS AT SEA LEVEL
 OPERATING TORQUE ----- 0.5 OZ/IN TO 6 OZ/IN
 OPERATING TEMPERATURE ----- -65°C TO +125°C
 ROTATIONAL LIFE ----- 25,000 CYCLES

MATERIALS

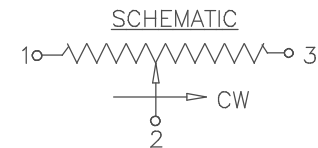
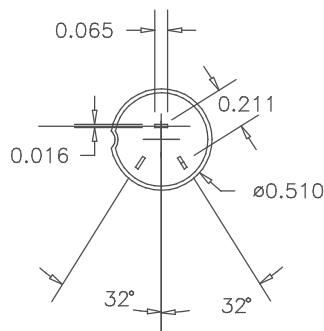
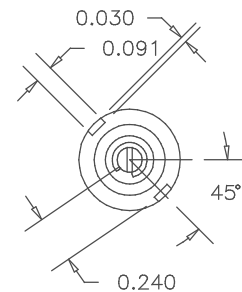
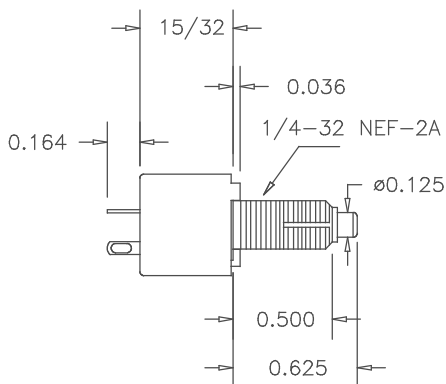
ONE PIECE HOUSING AND BUSHING
 TERMINALS ----- GOLD PLATED
 SHAFT ----- STAINLESS STEEL
 RESISTIVE ELEMENT ----- HOT MOLDED CARBON

ENVIRONMENTAL

RESISTANCE TO SOLDERING HEAT ----- 350°C FOR 5 SECONDS
 HUMIDITY RANGE ----- PER MIL-R-94
 VIBRATION RANGE ----- PER MIL-R-94
 SHOCK RESISTANCE ----- PER MIL-R-94
 LOAD LIFE ----- 1000 Hr AT 70°C

OPTIONS

OTHER STANDARD RESISTANCE VALUES AVAILABLE
 CUSTOM SHAFTS AND BUSHINGS
 SPECIAL TAPERS



TOLERANCES
 XX = +/- .010" FRACT. = +/- 1/64"
 XXX = +/- .005" ANGLES = +/- 1/2"
 ALL SPECIFICATIONS SUBJECT TO CHANGE WITHOUT NOTICE.

SCALE	DATE: 12-7-07
	BY AT
	APPRV'D
NONE	
CODE IDENT: 19477	



TITLE
 SINGLE TURN
 POTENTIOMETER

PART NO.
 RV6LAYS