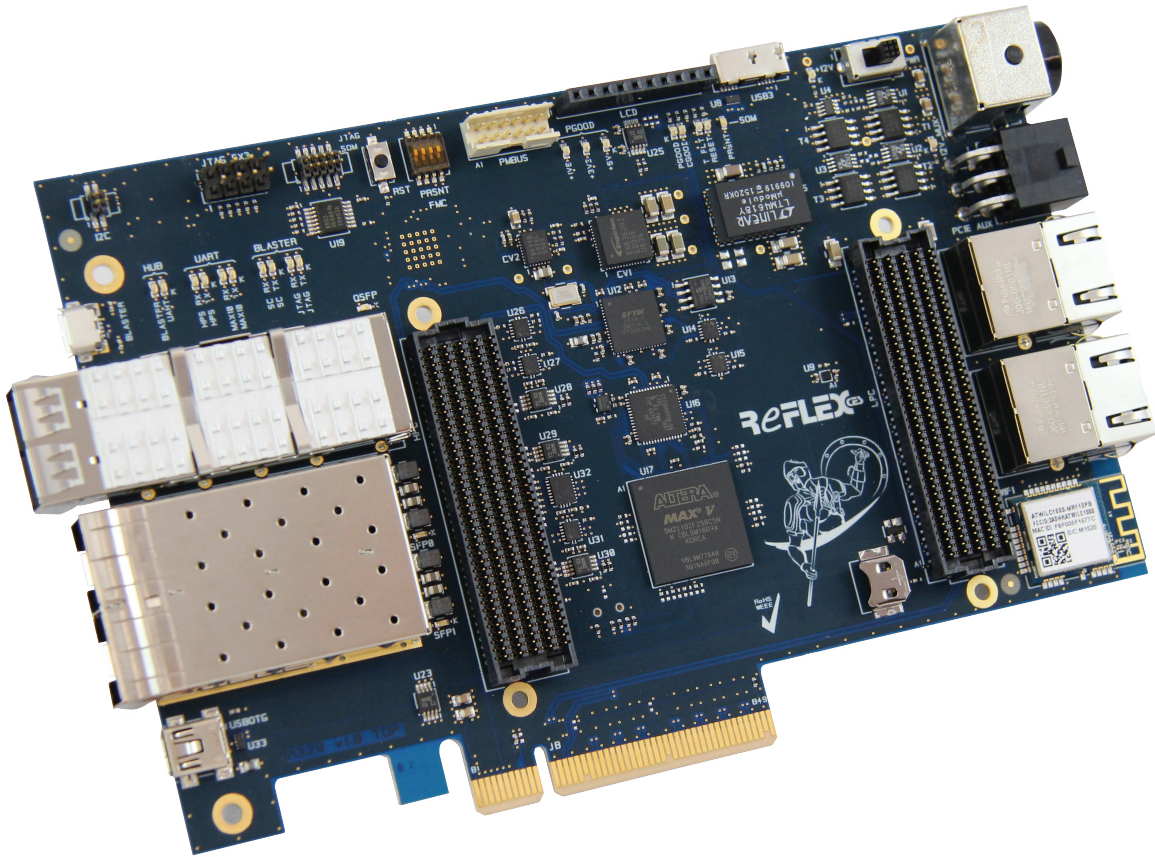


PCIe Carrier board of the Arria 10 SoC System-on-Module



In addition to the Achilles Arria 10 SoC SoM Instant-DevKit,
you can order the PCIe Carrier Board

Contact :

Europe Sales Office
sales@reflexces.com

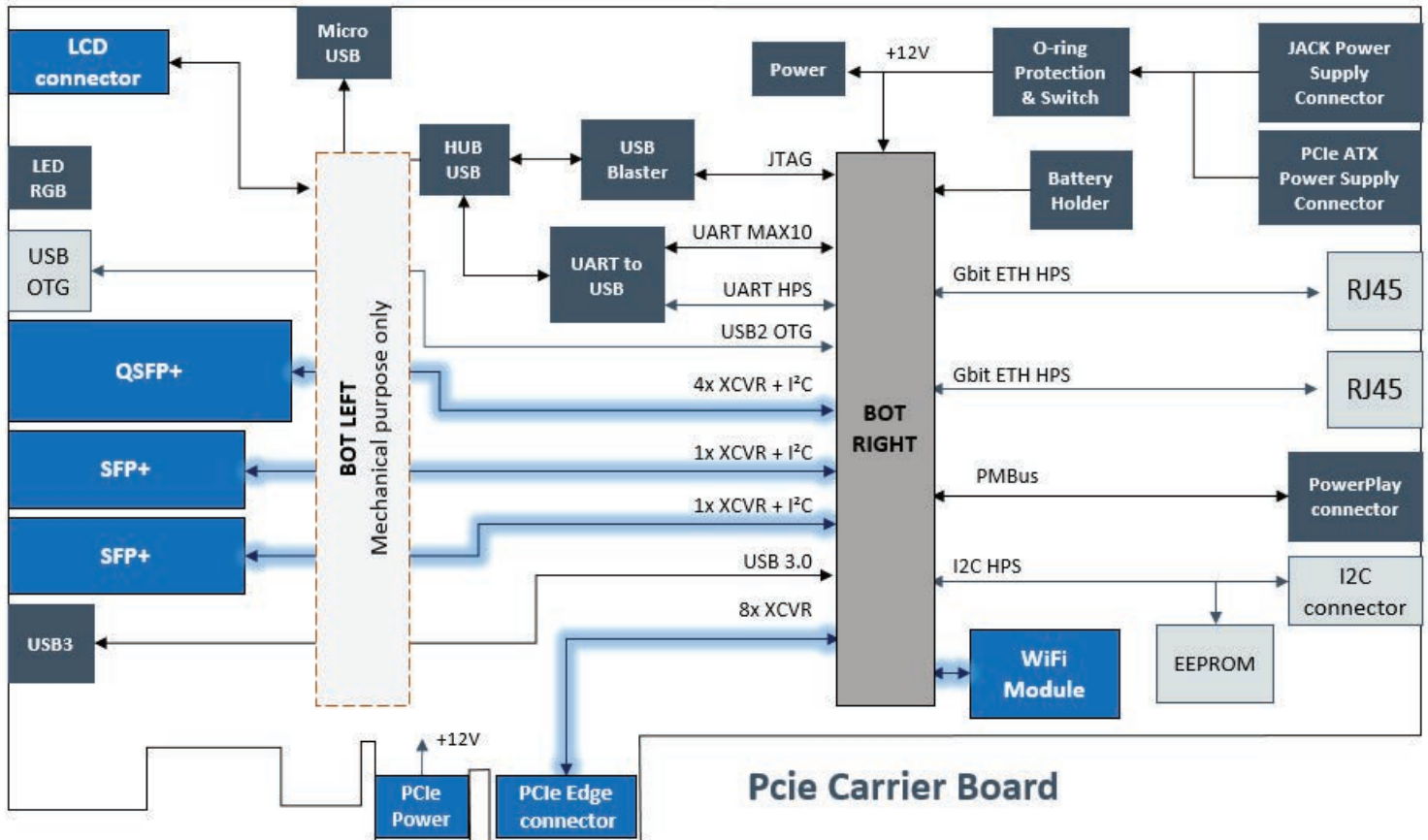
www.reflexces.com



North America Sales Office
salesusa@reflexces.com



PCIe carrier board of the Arria 10 SoC SoM



Configuration & Monitoring

- Onboard USB Blaster JTAG
- μ USB connector interfacing UART bus, MAX 10 and HPS FPGA
- Connector for Linear Powerplay DC1613A USB cable
- PMBus interface : Digital Power System management is ready, configure and interrogate the PSM Devices with LTPowerPlay

Power

- Evaluation mode on desk (AC power supply not included) or PCIe mode

Board size

- Standard height (111.15 mm / 4.376 inches) x Half length (167.65 mm / 6.600 inches) / Fan on top

Communication Interfaces

- PCI Express x8 Gen 1/ 2/ 3 edge connector
- 1x QSFP+ quad optical cage (4 XCVR:10.3125 Gb/s per link)
- 2x SFP+ single optical cage (2 XCVR : 10.3125 Gb/s per link)
- 2x Ethernet 10/100/1000 Base-T (HPS)
- 1x USB3.0 Micro B (FPGA), 1x USB OTG Mini AB (HPS)
- Atmel Wifi 802.11 b/g/n IoT (Internet of Things) module
- One 1x10pts connector for connecting an LCD

Standards and compliance

- RoHS/REACH compliant, ISO9001 Facility, UL certified

Deliverables

- Mandatory to purchase an Achilles Development Kit for deliverables (flyer available)

Ordering information

Part number = RXCA10S0000F34-FHP0SA