



# Rigid-770

## Extreme Rugged Intel® Core™ i3-3120ME Fanless Embedded Controller



### Features

- **Wide Operating Temperature (-40 ~70°C)**
- **Fanless Design**
- Wide-Range DC Power Input (9 ~36V)
- iAMT supported
- Various Video Interfaces (DVI-I + DVI-D) supported
- Optional WiFi or HSUPA Wireless Connectivity supported
- Rugged Design for Shock/Vibration Protection
- Memory support up to 16GB (DDR3)
- RAID 0, 1 support
- Intel® SSD compatible

### System

<b>CPU</b>	Intel® Core™ i3-3120ME 2.4GHz processor
<b>Memory</b>	2 x 204-pin DDR3 SO-DIMM sockets, supporting 1333/1600MHz SDRAM up to 16GB at 4GB WT DDR3 memory module installed
<b>Chipset</b>	Intel® QM77
<b>Graphics</b>	Integrated Intel® HD 4000
<b>ATA</b>	2 x Serial ATA ports with 600MB/s HDD transfer rate 2 x eSATA
<b>LAN Chipset</b>	2 x Intel® WG82583V GbE controllers 1 x Intel® WG82579LM GbE PHY w/ iAMT
<b>Watchdog Timer</b>	1~255 levels reset

### I/O

<b>Serial Port</b>	1 x DB-44 female connector COM1/2 are RS-232 COM3/4 are RS-232/422/485 selectable, w/ isolated protection
<b>USB Port</b>	6 x USB 2.0 ports, 4 x USB 3.0 / 2.0 ports
<b>LAN</b>	3 x RJ-45 ports for GbE
<b>Video Port</b>	1 x DVI-I female connector for Digital/Analog Video output 1 x DVI-D female connector for Digital Video output
<b>Selectable Port</b>	1 x DB25 connector for 1 x DIO (8 x IN, 8 x OUT) port or 1 x LPT port (either one) default is DIO, can be changed to LPT
<b>Audio</b>	Mic-in/Line-out
<b>Expansion Bus</b>	1 x Mini-card slot interconnected with SIM card socket for optional WiFi or HSUPA module 1 x SIM socket/1 x CFAST socket (outside accessible)

### Environmental

<b>Operating Temp.</b>	-40 ~ 70°C (-40 ~ 158°F), ambient w/ air flow
<b>Storage Temp.</b>	-40 ~ 85°C (-40 ~ 185°F)
<b>Operating Humidity</b>	10 ~ 95% @ 70°C (non-condensing)
<b>Vibration</b>	3 Grms/5~500Hz/random operation w/ SSD
<b>Shock</b>	Operating 40G (11ms), Non-operating 60G with SSD Crash 100G, 11ms

### Qualification

**Certification** CE, FCC Class A

### Power Requirement

**Power Input** DC 9~36V input w/ 4-pin terminal block

**Power Consumption** Max. 50W (w/o I/O card)

### Storage

**Type** 2 x 2.5" drive bays  
1 x CFAST socket

### Mechanical

**Construction** Aluminum alloy

**Mounting** Wall-mount

**Weight** 6.4 kg (14.1 lb)

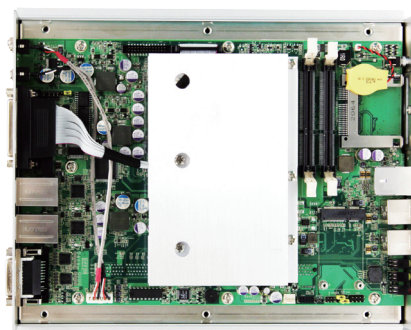
**Dimensions (W x D x H)** 225 x 267 x 90 mm

### OS Support

Windows XP Professional / Windows Embedded Professional 7 / Windows Embedded Standard 7

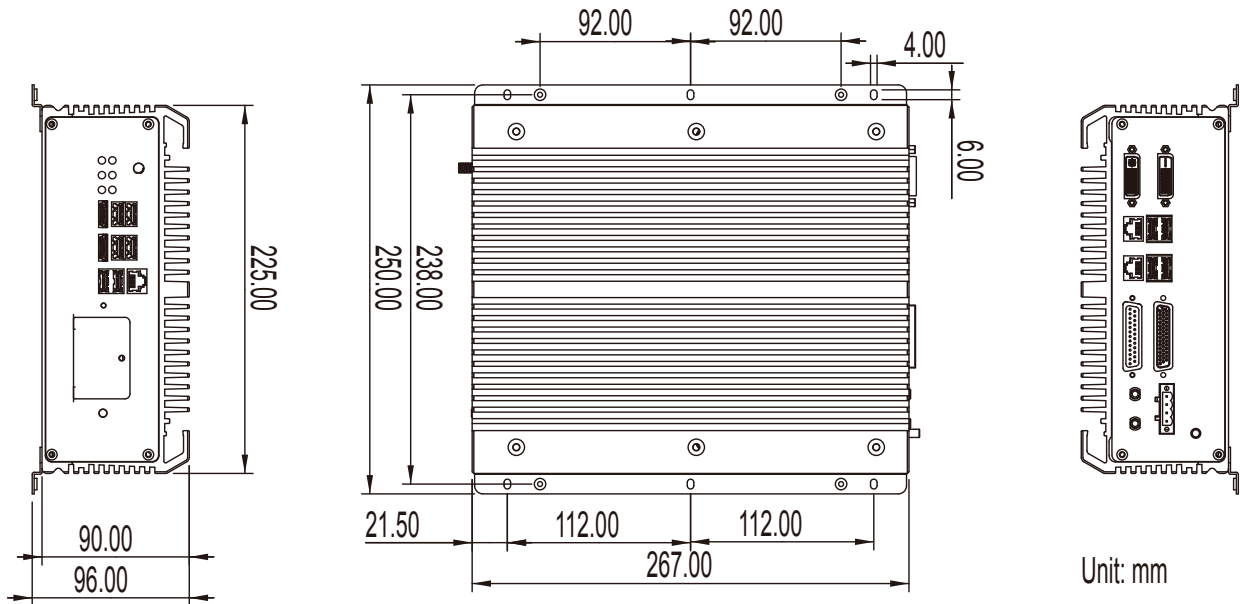
### Ordering Information

**Rigid-770** Fanless system w/o expansion



» Fanless Design

## Dimensions



## Standard Accessories

**PAC-B120W-FSP** 19V/6.32A 120W AC/DC adapter kit



**CBL-7100-COM** 4 x COM ports converter cable



**WMK-7000** Wall-mount kit for FPC-7XXX Series



## Optional Configuration (CTOS\* Kit)

**80GB SSD** Intel® 2.5" 80GB SATAIII SSD kit



**HSPA-SI1400** HSUPA 3.75G module kit & internal wiring



**WIFI-IN1300** Intel® Centrino® Advanced-N 6205 WiFi module w/ 20cm internal wiring



**ANT-H11** 1 x 2dBi HSUPA antenna



**ANT-D11** 1 x WiFi Dual-band 2.4G/5G antenna



**MK-3I-4G-2** Industrial DDR3 4GB SDRAM DIMM2 kit



**MK-3I-8G-2** Industrial DDR3 8GB SDRAM DIMM2 kit

\*CTOS means Configure-to-Order Service.