

TLI4970-D050T4

CurrentSense Shield2Go

Quick Start
V1.0.0



Introduction

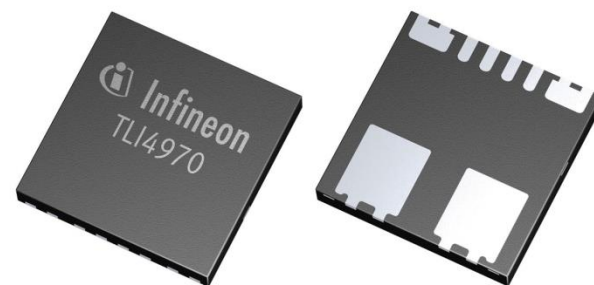
The TLI4970-D050T4 is a highly accurate coreless magnetic current sensor. Thus, the output signal is highly linear and without hysteresis. However, a differential measurement principle allows effective stray field suppression.

Due to the integrated primary conductor (current rail), there is no need for external calibration. Additionally, a separate interface pin (OCD) provides a fast output signal in case a current exceeds a pre-set threshold.

A small leadless package (QFN-like) allows for standard SMD assembly.

Key features are a AC & DC measurement range up to ± 50 A, highly accurate over temperature range and lifetime of max. 1.0 % (0 h), 1.6 % (over lifetime) of indicated value, low offset error (max. 25 mA at room temperature) and a high magnetic stray field suppression. Additionally, the sensor has fast over current detection with configurable threshold and a galvanic isolation up to 2.5 kV max. rated isolation voltage.

The sensor has a 16 bit digital SPI output (13 bit current value).



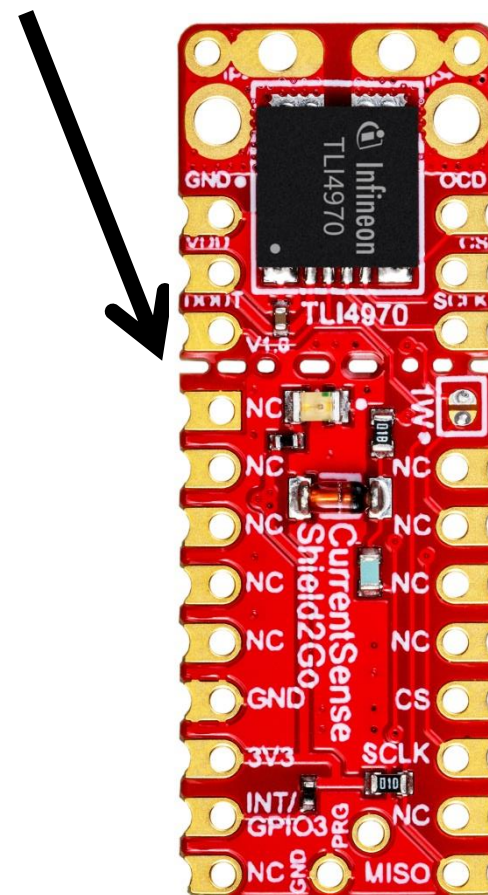
Link to [Datasheet](#) and [Product Page](#)

Evaluation Board Notes

Information

- Supply voltage is max. 3.6 V, please refer to the [TLI4970-D050T4 datasheet](#) for more details about maximum ratings
- Pin out on top (head) is directly connected to the pins of the TLI4970-D050T4 sensor
- If head is broken off, only one capacitor is connected to the TLI4970-D050T4 sensor
- Software compatible with Arduino and library fully integrated into the Arduino IDE
- Sales Name S2GO_CUR-SENSE_TLI4970 and OPN S2GOCURSENSETLI4970TOBO1

Breakable Head



Ensure that no voltage applied to any of the pins exceeds the absolute maximum rating of 3.6 V

Link to [Board Page](#)

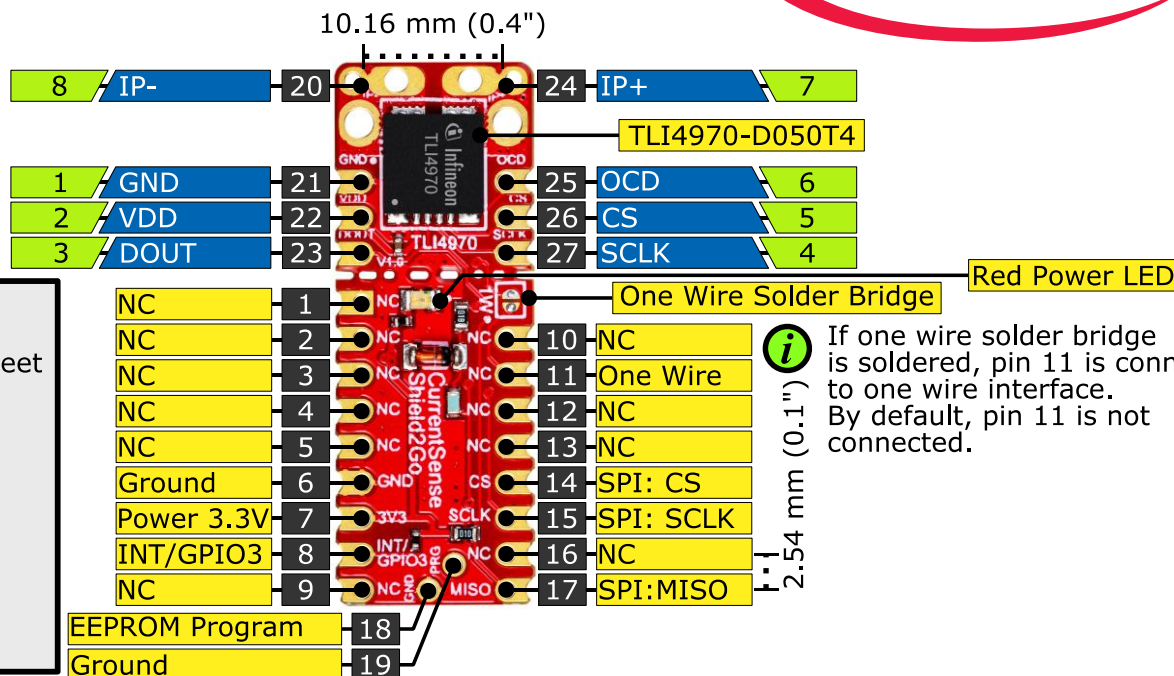
Evaluation Board PCB Details

The

TLI4970-D050T4 CurrentSense Shield2Go



i Ground pins on board are connected with each other.



Legend

- Information
- Labelling of Pins in Datasheet
- Pin Number in Datasheet
- Physical Pin Number
- ! Warning
- i Additional Information
- NC Not Connected

i If one wire solder bridge is soldered, pin 11 is connected to one wire interface. By default, pin 11 is not connected.

! The maximum voltage on any pin is 3.6 V.

i To make the board compatible with the one wire interface of the Current Sensor 2GO kit, solder the one wire solder bridge.

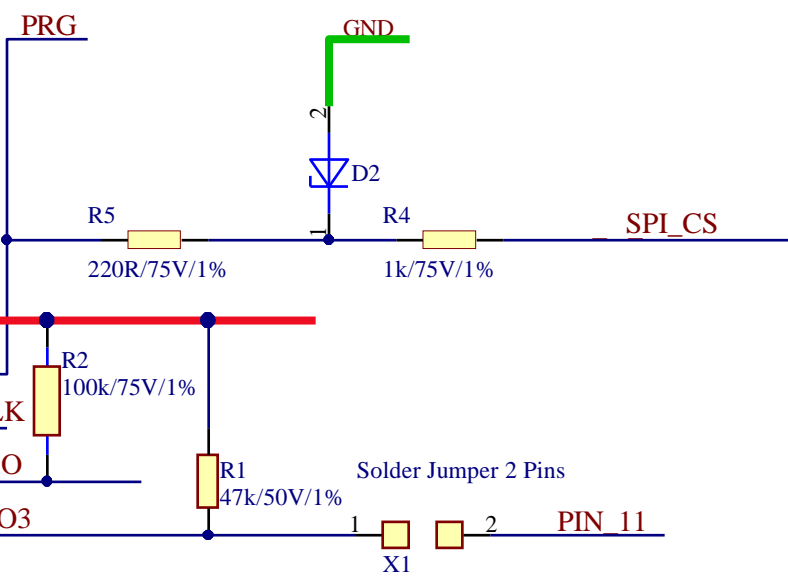
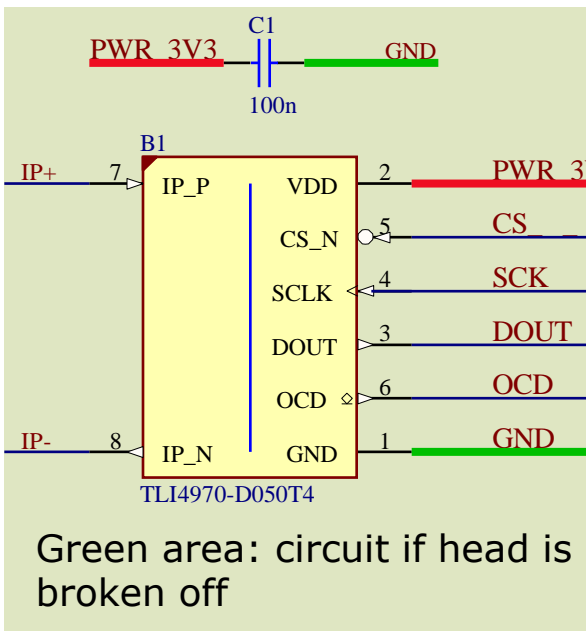
i To program the internal EEPROM of the TLI4970, apply the respective programming voltage to the PRG pin. Refer to the programming guide for additional information.

V1.0.0

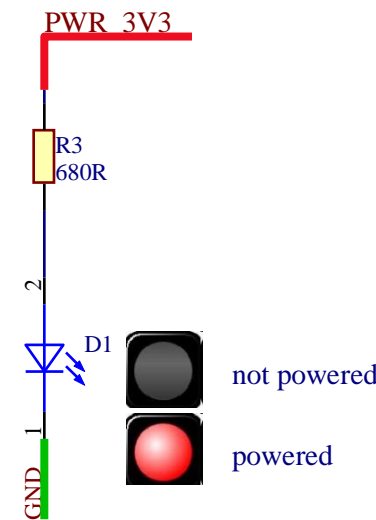
www.infineon.com

Evaluation Board Schematic

Current Sensor



Power Status Indication



Arduino: The Arduino IDE

Arduino IDE



Arduino is a hardware-software prototyping environment IDE developed by arduino.cc:

- Installation Details for Windows:
Click [here](#)
- Installation Details for Linux:
Click [here](#)
- Installation Details for Mac OS:
Click [here](#)
- Installation Details for Portable IDE:
Click [here](#)

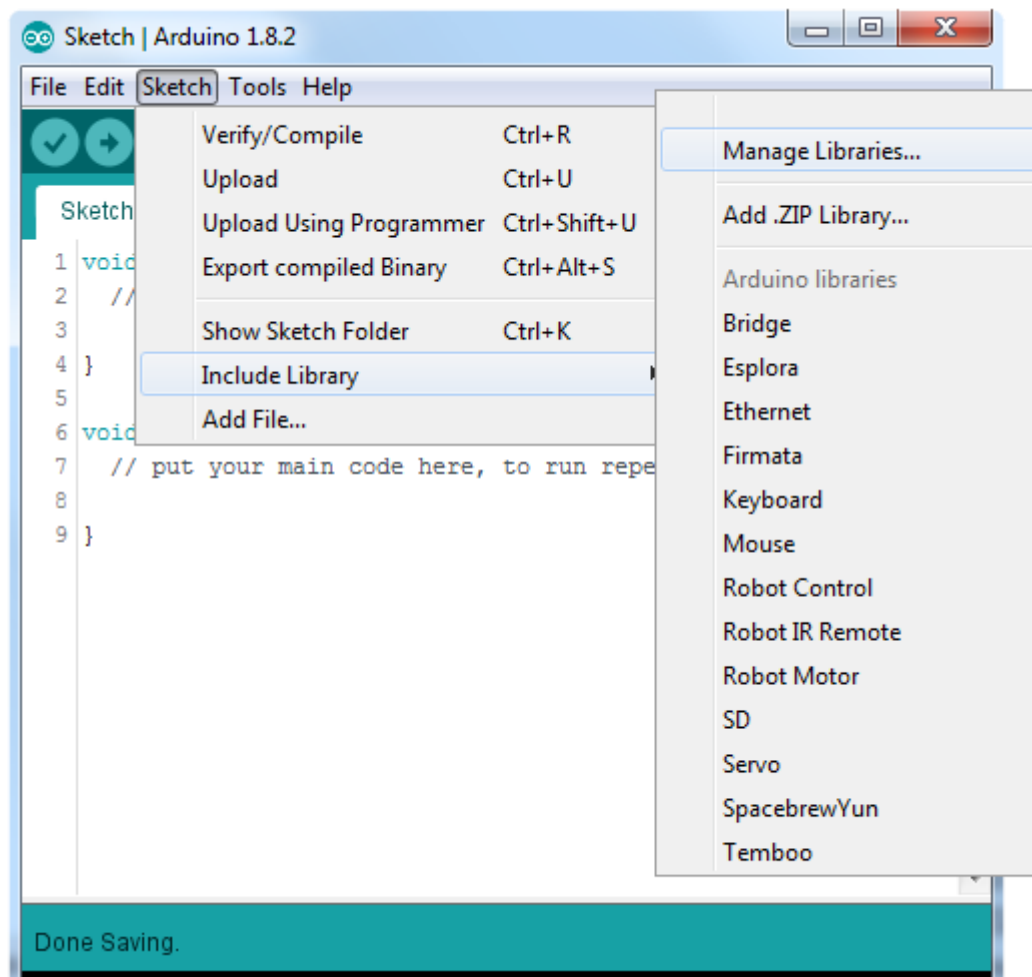
Arduino Quick Start

- What is Arduino? Click [here](#)
- Extended information about the Arduino environment. Click [here](#)
- How to import libraries? Click [here](#)
- How to install additional boards? Click [here](#)
- Problems related to Arduino? Click [here](#) for troubleshooting

How to download the library for Arduino - 1

Notes

- Open the Arduino IDE
- Navigate to *Sketch – Include Library – Manage Libraries*
- The Arduino library manager will be opened (see next slide for further instructions)
- Additional notes for installation can be found in the GitHub , e.g. if the library manager is not used



<https://github.com/Infineon/TLI4970-D050T4-Current-Sensor>

How to download the library for Arduino - 2



Notes

- The Arduino library manager is a comprehensive tool to install external libraries for Arduino
- Search for *TLI4970-D050T4* in the *Filter your seach...* field
- Select as *Type: All* and *Topic: All* when searching for *TLI4970-D050T4*
- As shown in the picture, please choose the respective library and install it
- Regularly check your installed libraries for updates
- In case of problems, please visit also our [GitHub repository](#) and open an issue to get further help

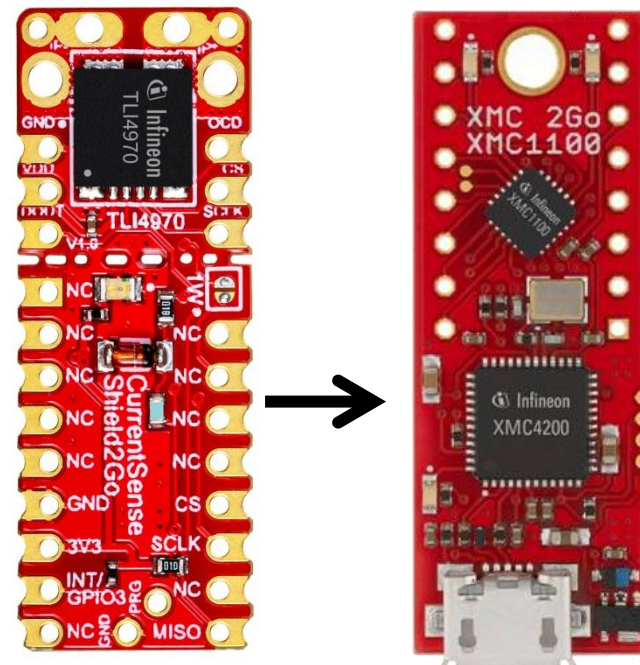


<https://github.com/Infineon/TLI4970-D050T4-Current-Sensor>

Example with XMC 2Go

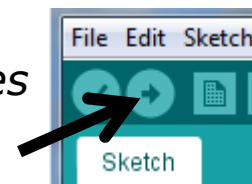
Notes

- The Shield2Go form factor of the Shield2Go evaluation board is directly compatible with the [XMC 2Go](#) board
- Stack the TLI4970-D050T4 CurrentSense Shield2Go board on top of the XMC 2Go as shown in the picture
- The additional pin on the left-top side (designated with NC) is left floating
- Using the [XMC-for-Arduino](#) Arduino integration, the [Arduino library](#) for the TLI4970-D050T4 can be directly used



Steps

- Open one of the examples for the TLI4970-D050T4 from *File – Examples* and select as board *XMC1100 XMC2Go*
- Connect the stacked boards to the PC and press the *Upload* button
- Select the related COM port from *Tools – Port* and open the serial monitor with the set baud rate (see sketch/code with `Serial.begin(<BAUDRATE>);`)



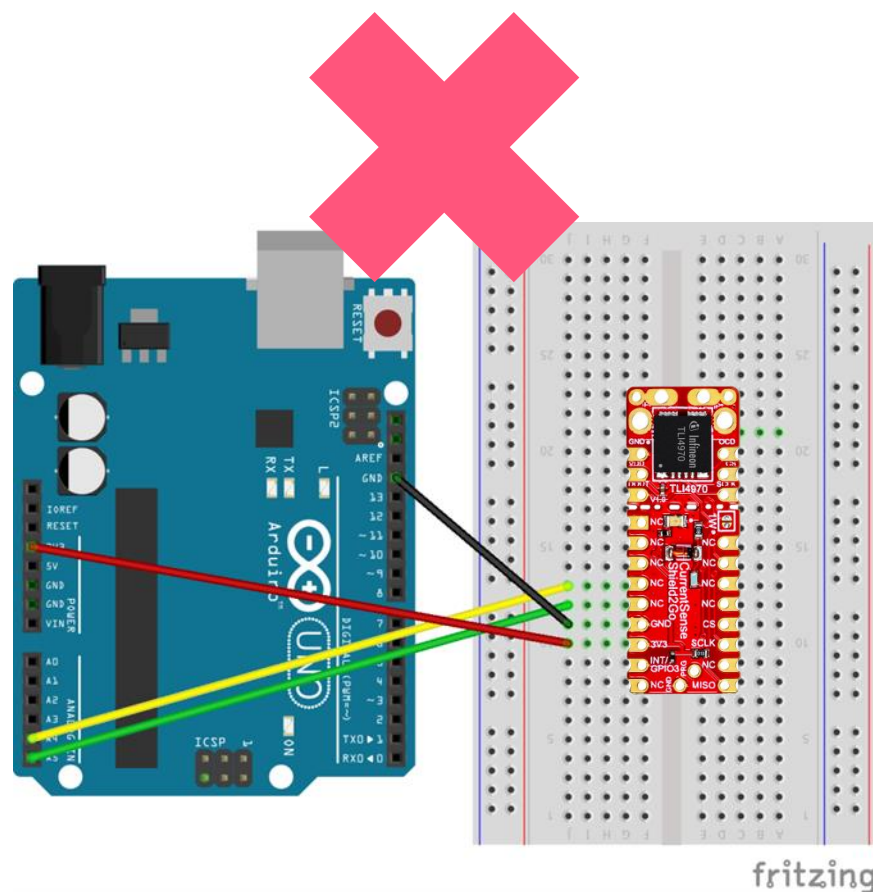
<https://github.com/Infineon/XMC-for-Arduino>

<https://github.com/Infineon/TLI4970-D050T4-Current-Sensor>

Important Warning

Important Warning

- The TLI4970-D050T4 has a maximum rating of 3.6 V on any pin
- Third party boards with 5 V logic, e.g. the Arduino Uno, cannot be connected to the TLI4970 CurrentSense Shield2Go board directly.
- Even if the power is connected to the 3.3 V pin, the interface lines, e.g. MISO, will still be driven by 5 V
- Please use appropriate level shifting for these boards



Not possible