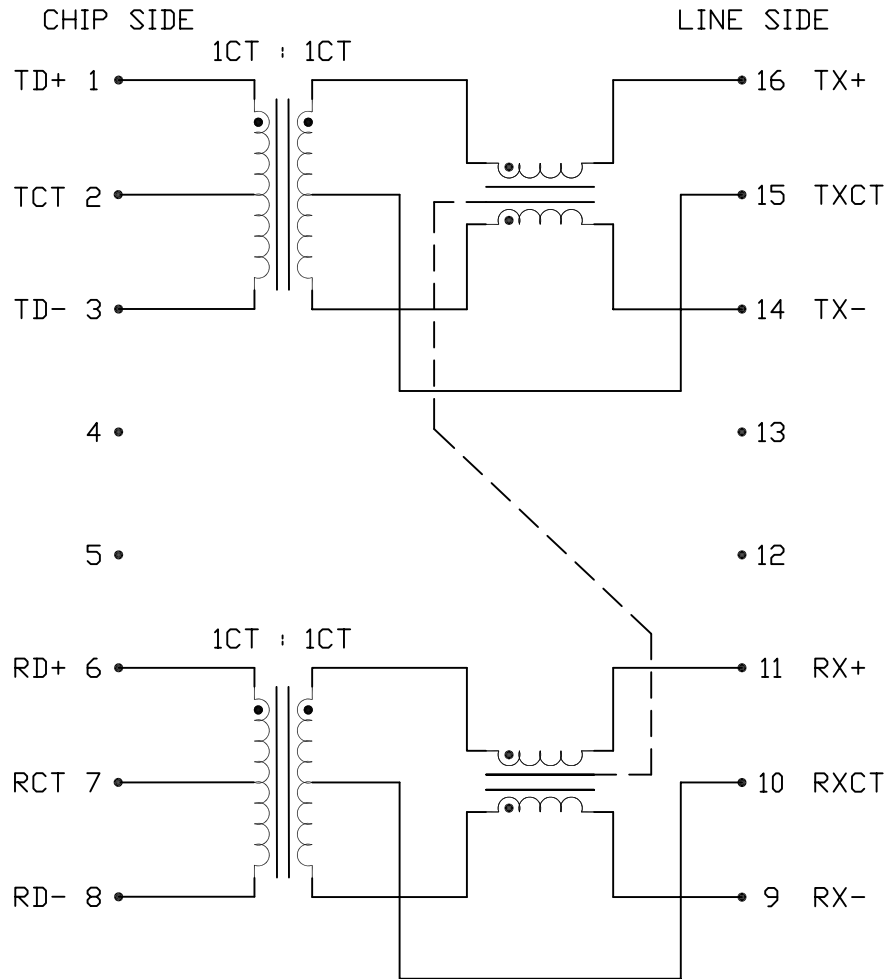


THE INFORMATION CONTAINED HEREIN IS CONSIDERED 'PROPRIETARY' TO BEL FUSE INC. AND SHALL NOT BE COPIED, REPRODUCED OR DISCLOSED WITHOUT THE WRITTEN APPROVAL OF BEL FUSE INC.

ELECTRICAL CHARACTERISTICS @ 25°C



SCHEMATIC



URNS RATIO

PIN 1-2-3 : 16-15-14

PIN 6-7-8 : 11-10-9

□CL (0°~70°C)

Tx PIN 1-3 OPEN 16-14

Rx PIN 6-8 OPEN 11-9

LEAKAGE INDUCTANCE, L_L

Tx PIN 1-3 SHORT 16-14

Rx PIN 6-8 SHORT 11-9

INTERWINDING CAPACITANCE, C_{w/w}

Tx PIN 1-3 TO 16-14

Rx PIN 6-8 TO 11-9

DCR

PIN (1-3) ; (6-8)

INSERTION LOSS

1 MHz TO 100 MHz

RETURN LOSS

1 MHz - 30 MHz

30 MHz - 60 MHz

60 MHz - 80 MHz

COMMON TO DIFFERENTIAL

100 kHz - 100 MHz

CROSSTALK

100 kHz - 100 MHz

HIPOT

1CT : 1CT

1CT : 1CT

350 μH MIN.

@ 100kHz, 100mV_{rms}

WITH 8mA DC BIAS

0.30 μH MAX.

@ 1MHz, 20mV

30 pF MAX.

@ 1MHz, 20mV

1.1 Ω MAX.

1.2 dB MAX.

18 dB MIN.

18-20 LOG (f/30MHz)

12 dB MIN.

35 dB MIN.

35 dB MIN.

PER HAND-WORK-03

ORIGINATED BY	DATE
Alice Pang	2015-01-23
DRAWN BY	DATE
ZC Guo	2015-01-23

TITLE
VOIP INTERFACE MODULE
S558-5500-25-F

PART NO. / DRAWING NO.
X558550025-F
FILE NAME
X558550025FB.DWG

STANDARD DIM.	[] METRIC DIM. AS REF.
TOL. IN INCH	UNIT : INCH [mm]
.X	SCALE : N/A
.XX	SIZE : A4
.XXX	

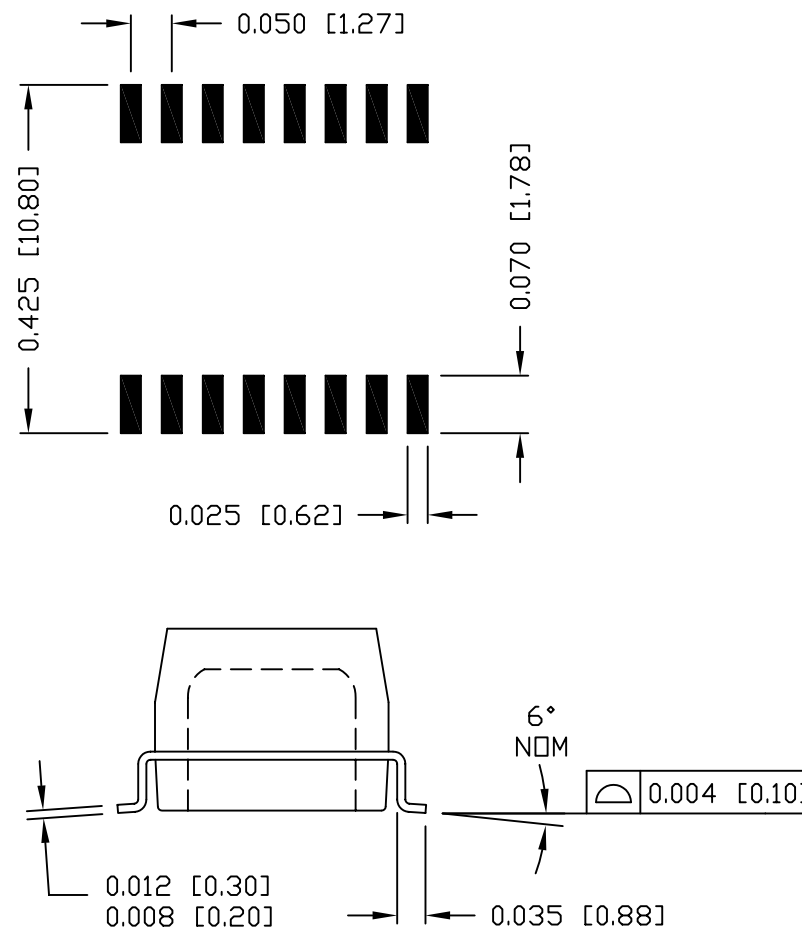
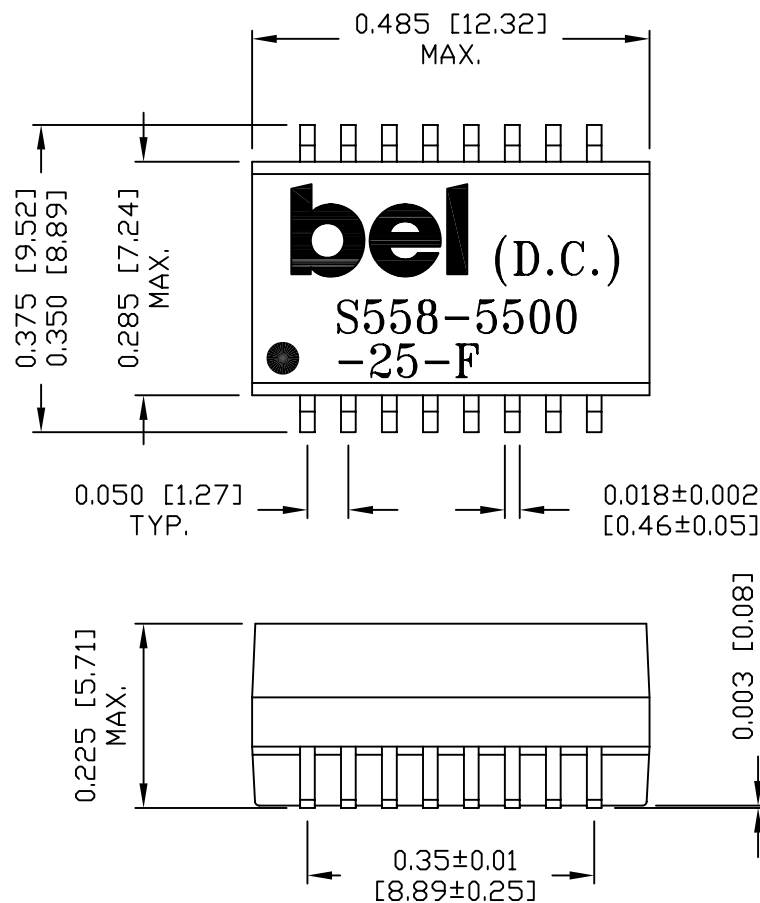
REV. : B PAGE : 2

THE INFORMATION CONTAINED HEREIN IS CONSIDERED "PROPRIETARY" TO BEL FUSE INC. AND SHALL NOT BE COPIED, REPRODUCED OR DISCLOSED WITHOUT THE WRITTEN APPROVAL OF BEL FUSE INC.

RoHS



SUGGESTED PCB PAD LAYOUT



NOTES:

1. STANDARD MARKING REFER TO DOC. HAND-WORK-04.
2. PACKAGE CODE: "QBS001".

REV. : B PAGE : 3

ORIGINATED BY Lawrence Tsang	DATE 2015-01-23	TITLE MECHANICAL DRAWING S558-5500-25-F	PART NO. / DRAWING NO. X558550025-F	STANDARD DIM. [] METRIC DIM. AS REF.	 POWER PROTECT CONNECT	
DRAWN BY ZC Guo	DATE 2015-01-23		FILE NAME X558550025FB.DWG	TOL. IN INCH .X .XX ±0.01 .XXX ±0.005		UNIT : INCH [mm] SCALE : N/A SIZE : A4