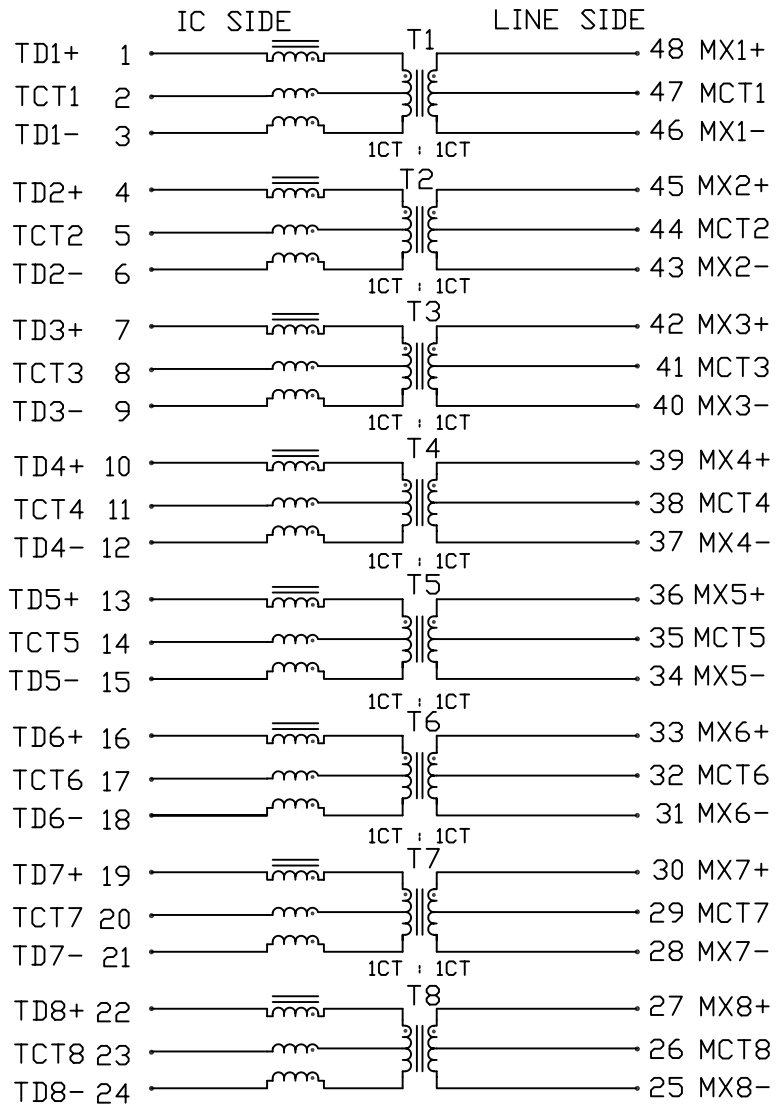


THE INFORMATION CONTAINED HEREIN IS CONSIDERED "PROPRIETARY" TO BEL FUSE INC. AND SHALL NOT BE COPIED, REPRODUCED OR DISCLOSED WITHOUT THE WRITTEN APPROVAL OF BEL FUSE INC.



SCHEMATIC

ELECTRICAL SPECIFICATIONS @25°C



TURNS RATIO IC : LINE	1CT : 1CT
POLARITY	PER DOT CONVENTION
OCL @100kHz, 100mVrms 8mA DC BIAS	350µH MIN.
INSERTION LOSS 0.3MHz TO 100MHz 100MHz TO 125MHz	0.8dB MAX 1.2dB MAX
RETURN LOSS 0.5MHz-40MHz 40MHz-100MHz	18dB MIN 12-20 LOG (F/80MHz) dB MIN
DC RESISTANCE DCR (START-FINISH) DCR 1/2 WDG DCR IMBALANCE	1.150HMS TYP 1.00HMS MAX ±0.0650HMS MAX
CROSSTALK 300kHz - 100MHz	33dB MIN
CM TO CM REJ 300kHz - 100MHz	30dB MIN
CM TO DM REJ 300kHz - 100MHz	35dB MIN
HIPOT	1500Vrms
OPERATING TEMPERATURE	0°C TO +70°C

REV. : B PAGE : 2

ORIGINATED BY	DATE	TITLE
Alice Pang	2015-01-26	ELECTRICAL SPECIFICATION
DRAWN BY	DATE	
ZC Guo	2015-01-26	

PART NO. / DRAWING NO.	STANDARD DIM.
S558-5500-56	[] METRIC DIM. AS REF.
FILE NAME	TOL. IN INCH
S558550056B.DWG	.X
	.XX
	.XXX

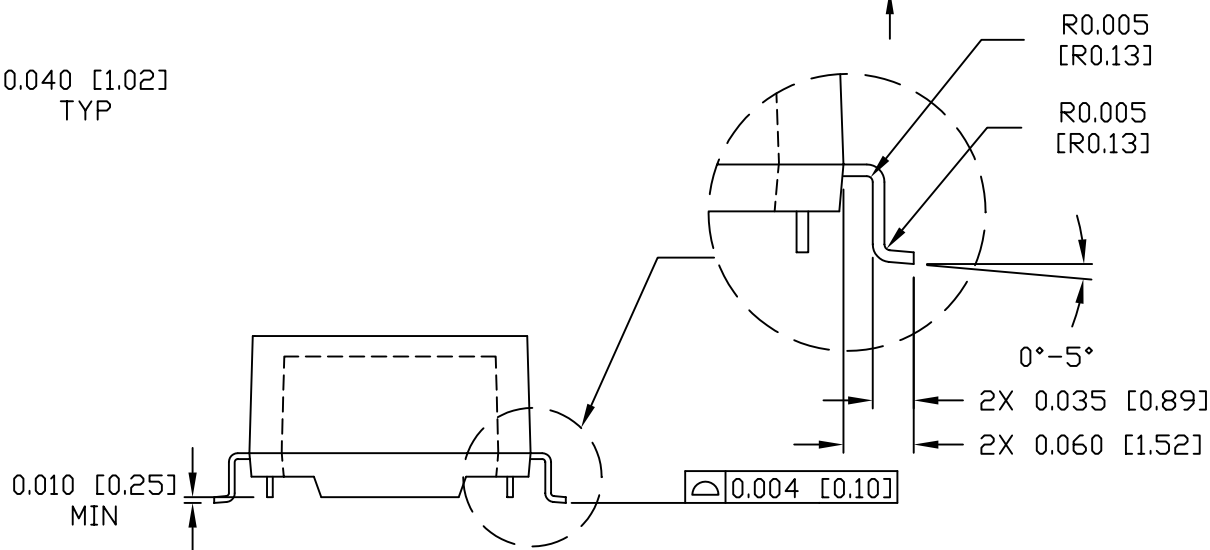
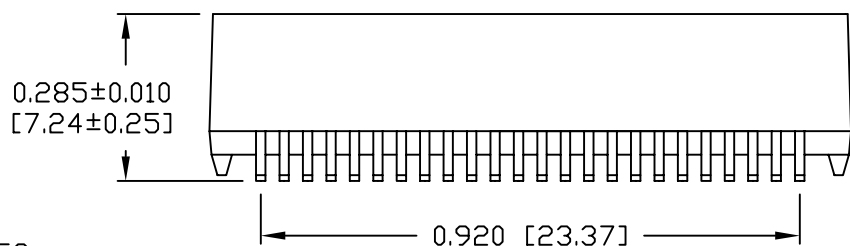
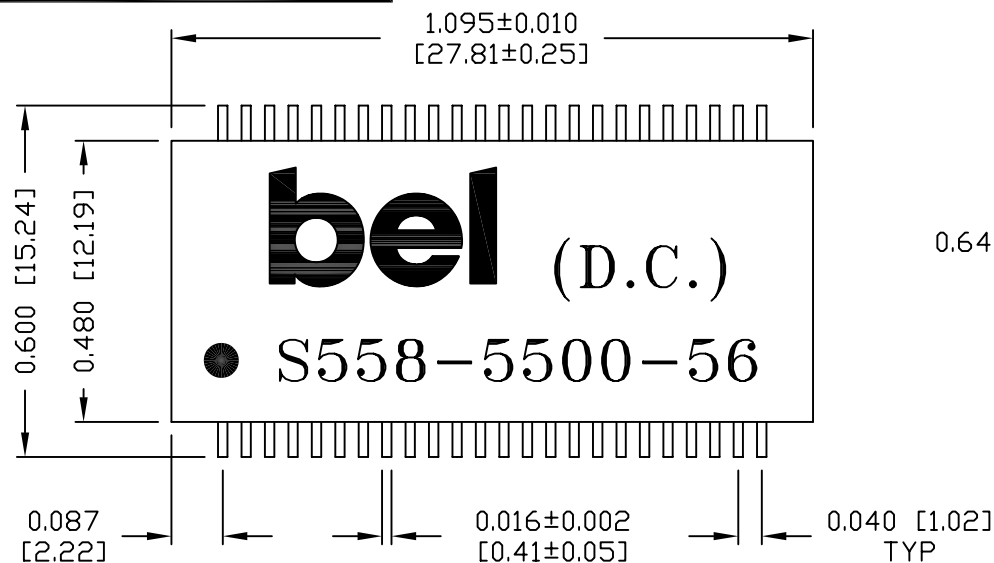
UNIT : INCH [mm]
SCALE : N/A
SIZE : A4



THE INFORMATION CONTAINED HEREIN IS CONSIDERED "PROPRIETARY" TO BEL FUSE INC. AND SHALL NOT BE COPIED, REPRODUCED OR DISCLOSED WITHOUT THE WRITTEN APPROVAL OF BEL FUSE INC.

SUGGESTED PCB PAD LAYOUT

RoHS



NOTES:

1. STANDARD MARKING REFER TO DOC. HAND-WORK-04.
2. PACKAGE CODE: "QVS001".

ORIGINATED BY		DATE	TITLE	PART NO. / DRAWING NO.		STANDARD DIM. [] METRIC DIM. AS REF.		REV. : B	PAGE : 3
Lawrence Tsang		2015-01-26		MECHANICAL OUTLINE	S558-5500-56		TOL. IN INCH		UNIT : INCH [mm]
DRAWN BY		DATE	FILE NAME		.X		SCALE : N/A		
ZC Guo		2015-01-26	S558550056B.DWG		.XX ±0.01		SIZE : A4		
					.XXX ±0.005				 POWER PROTECT CONNECT