

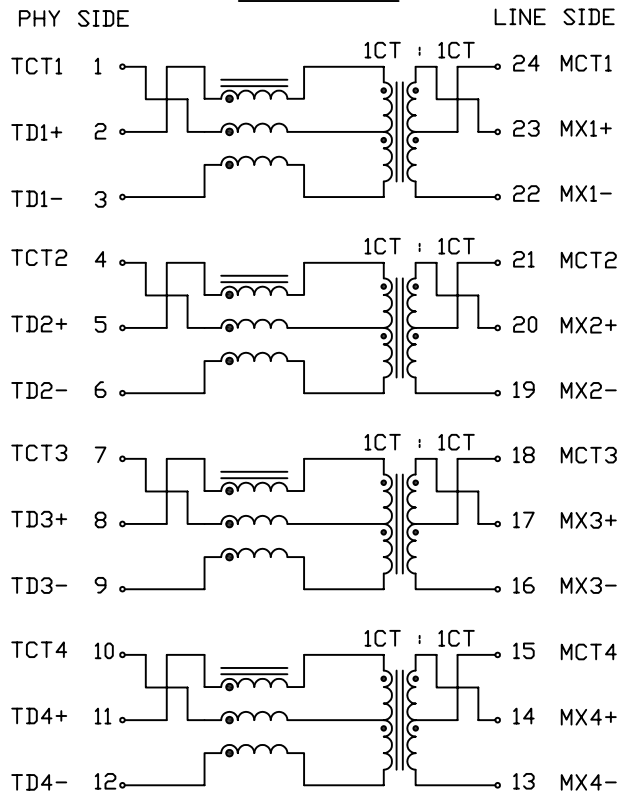
THE INFORMATION CONTAINED HEREIN IS CONSIDERED "PROPRIETARY" TO BEL FUSE INC. AND SHALL NOT BE COPIED, REPRODUCED OR DISCLOSED WITHOUT THE WRITTEN APPROVAL OF BEL FUSE INC.

RoHS



ELECTRICAL CHARACTERISTICS @25°C

SCHEMATIC



DC RESISTANCE

(2-3), (5-6), (8-9), (11-12)	1.00 Ω MAX
(1-3), (4-6), (7-9), (10-12)	0.75 Ω MAX
(23-22), (20-19), (17-16), (14-13)	0.50 Ω MAX
(24-22), (21-19), (18-16), (15-13)	0.30 Ω MAX

URNS RATIO

(2-1-3) : (23-24-22)	1CT : 1CT ±2%
(5-4-6) : (20-21-19)	1CT : 1CT ±2%
(8-7-9) : (17-18-16)	1CT : 1CT ±2%
(11-10-12) : (14-15-13)	1CT : 1CT ±2%

POLARITY

PER DOT CONVENTION

□CL

-40°C TO +85°C  
-40°C TO +85°C

100kHz, 100mV  
350uH MIN WITH 11mA DC BIAS  
120uH MIN WITH 19mA DC BIAS

INTERWINDING CAPACITANCE, C<sub>ww</sub>

@1MHz, 20mV  
30pF MAX

INSERTION LOSS

0.3MHz - 1MHz	1.1dB MAX
1MHz - 65MHz	0.8dB MAX
65MHz - 100MHz	1.0dB MAX
100MHz - 125MHz	1.2dB MAX

RETURN LOSS @100ΩHM

0.5MHz - 40MHz	18dB MIN
40MHz - 100MHz	12-20LOG(f/80MHz)dB MIN

CROSSTALK

0.3MHz - 100MHz	33-20LOG(f/100MHz)dB MIN
-----------------	--------------------------

CM TO CM REJ

0.3MHz - 100MHz	30dB MIN
-----------------	----------

CM TO DM REJ

0.3MHz - 100MHz	35dB MIN
-----------------	----------

BALANCED DC LINE CURRENT

720mA MAX @57VDC CONTINUOUS  
1.2A MAX @57VDC FOR 200ms

HIPOT

1500 V<sub>rms</sub>

REV. : C PAGE : 2

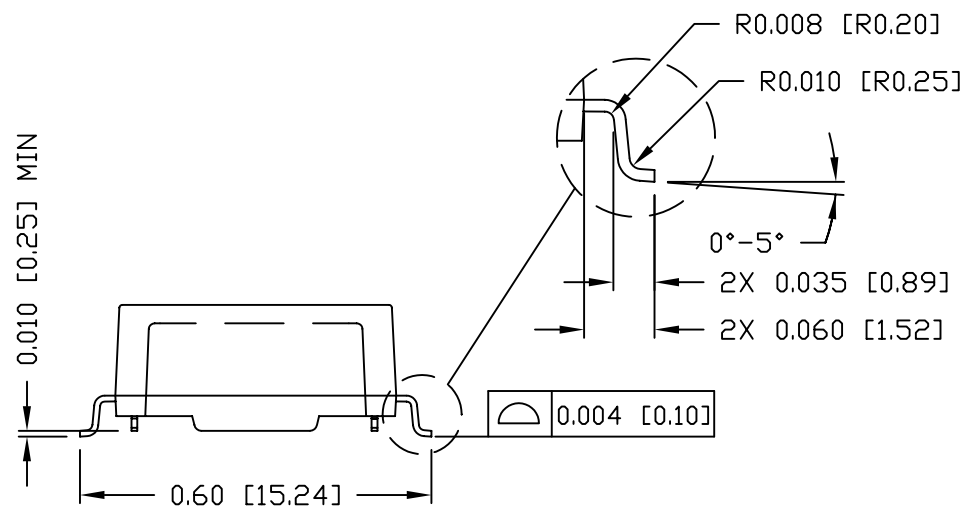
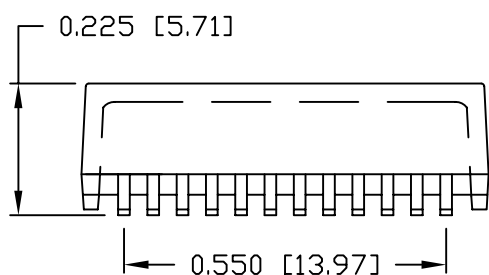
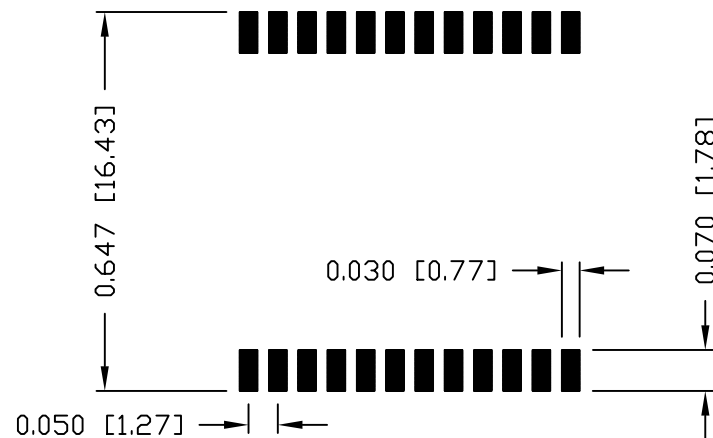
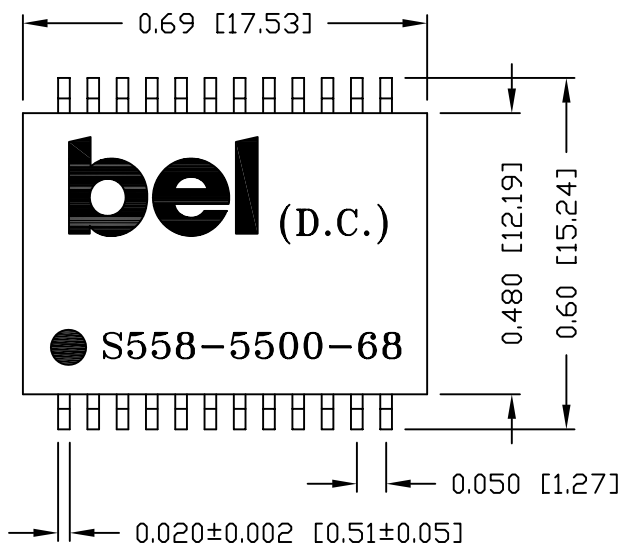
ORIGINATED BY	DATE	TITLE	PART NO. / DRAWING NO.	STANDARD DIM.	[ ] METRIC DIM. AS REF.	 POWER   PROTECT   CONNECT
Alice Pang	2015-01-28	ELECTRICAL SPECIFICATION	S558-5500-68	TOL. IN INCH	UNIT : INCH [mm]	
DRAWN BY	DATE		FILE NAME	.X	SCALE : N/A	
ZC Guo	2015-01-28		S558550068C.DWG	.XX	SIZE : A4	
				.XXX		

THE INFORMATION CONTAINED HEREIN IS CONSIDERED "PROPRIETARY" TO BEL FUSE INC. AND SHALL NOT BE COPIED, REPRODUCED OR DISCLOSED WITHOUT THE WRITTEN APPROVAL OF BEL FUSE INC.

RoHS



SUGGESTED PCB PAD LAYOUT



NOTES:

- STANDARD MARKING REFER TO DOC. HAND-WORK-04.
- PACKAGE CODE: "RQS001".

REV. : C PAGE : 3

ORIGINATED BY	DATE	TITLE	PART NO. / DRAWING NO.	STANDARD DIM.	[ ] METRIC DIM. AS REF.
Lawrence Tsang	2015-01-28	MECHANICAL OUTLINE	S558-5500-68	TOL. IN INCH	UNIT : INCH [mm]
DRAWN BY	DATE		FILE NAME	.X	SCALE : N/A
ZC Guo	2015-01-28		S558550068C.DWG	.XX ±0.01	SIZE : A4
				.XXX ±0.005	

