

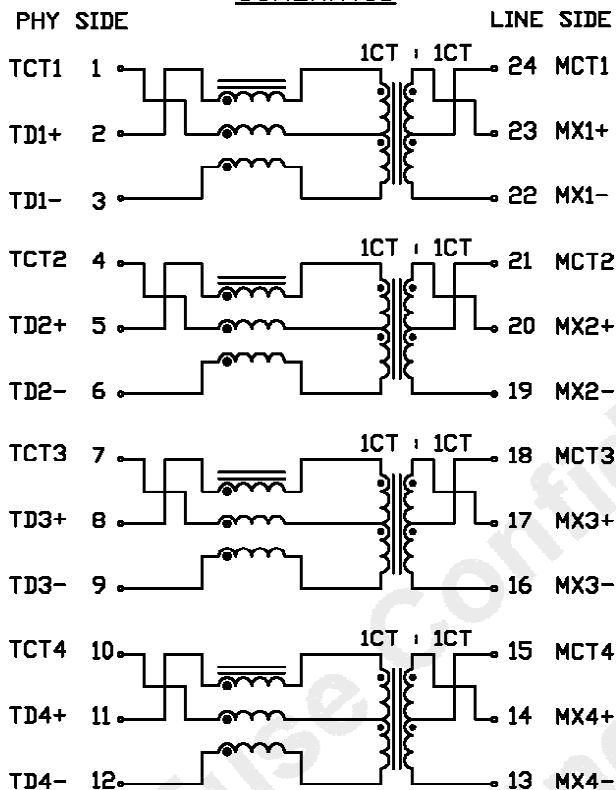
THE INFORMATION CONTAINED HEREIN IS CONSIDERED "PROPRIETARY" TO BEL FUSE INC. AND SHALL NOT BE COPIED, REPRODUCED OR DISCLOSED WITHOUT THE WRITTEN APPROVAL OF BEL FUSE INC.

**ELECTRICAL CHARACTERISTICS @25°C**

RoHS



**SCHEMATIC**



**TURNS RATIO**

(2-1-3) : (23-24-22)  
 (5-4-6) : (20-21-19)  
 (8-7-9) : (17-18-16)  
 (11-10-12) : (14-15-13)

1CT : 1CT ±2%  
 1CT : 1CT ±2%  
 1CT : 1CT ±2%  
 1CT : 1CT ±2%

**POLARITY**

□CL

**PER DOT CONVENTION**

100kHz, 100mV  
 350uH MIN WITH 11mA DC BIAS  
 120uH MIN WITH 19mA DC BIAS

**INTERWINDING CAPACITANCE, C<sub>ww</sub>**

@1MHz, 20mV  
 30pF MAX

**INSERTION LOSS**

0.3MHz - 1MHz  
 1MHz - 65MHz  
 65MHz - 100MHz  
 100MHz - 125MHz

1.1dB MAX  
 0.8dB MAX  
 1.0dB MAX  
 1.2dB MAX

**RETURN LOSS @100Ω**

0.5MHz - 40MHz  
 40MHz - 100MHz

18dB MIN  
 12-20LOG(f/80MHz)dB MIN

**CROSSTALK**

0.3MHz - 100MHz

33-20LOG(f/100MHz)dB MIN

**CM TO CM REJ**

0.3MHz - 100MHz

30dB MIN

**CM TO DM REJ**

0.3MHz - 100MHz

35dB MIN

**BALANCED DC LINE CURRENT**

720mA MAX @57VDC CONTINUOUS  
 1.2A MAX @57VDC FOR 200ms

**HIPOT**

1500 V<sub>rms</sub>

DESIGNED FOR USE IN EXTENDED TEMPERATURE APPLICATIONS

REV. : A PAGE : 2

**DC RESISTANCE**

(2-3), (5-6), (8-9), (11-12) 1.00 Ω MAX  
 (1-3), (4-6), (7-9), (10-12) 0.75 Ω MAX  
 (23-22), (20-19), (17-16), (14-13) 0.50 Ω MAX  
 (24-22), (21-19), (18-16), (15-13) 0.30 Ω MAX

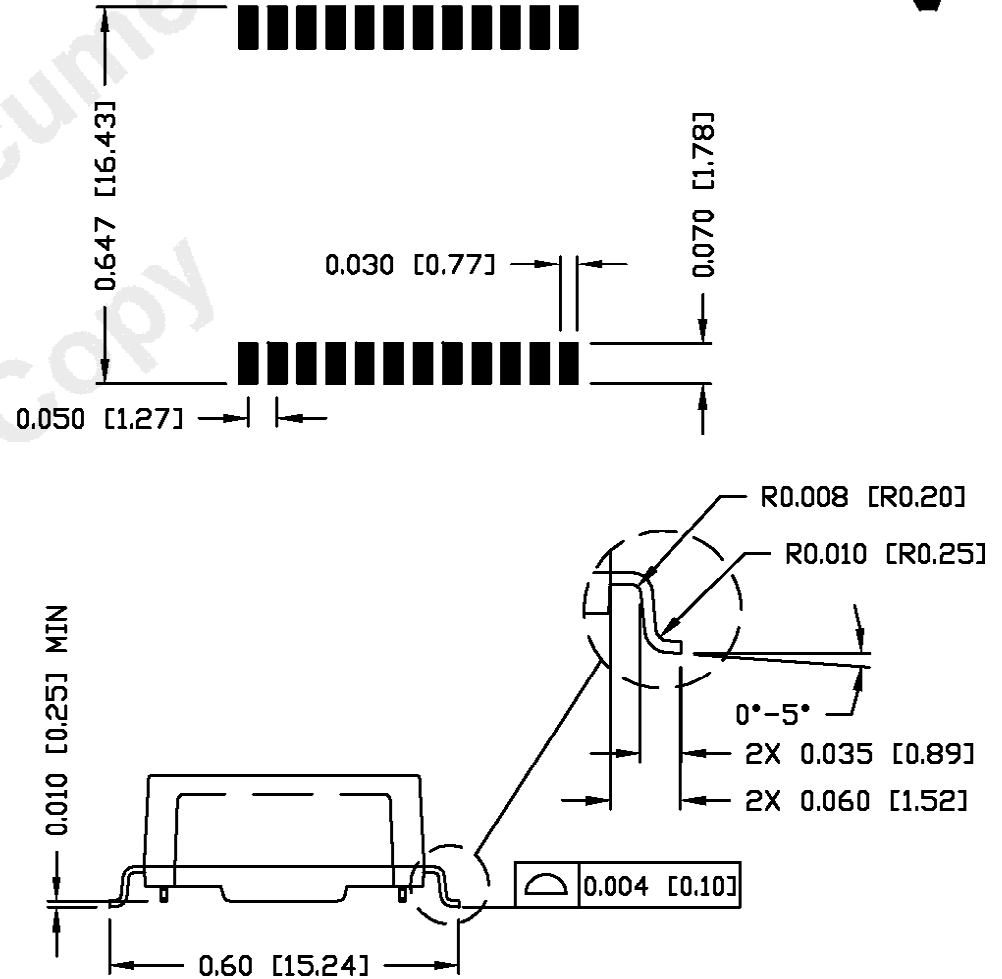
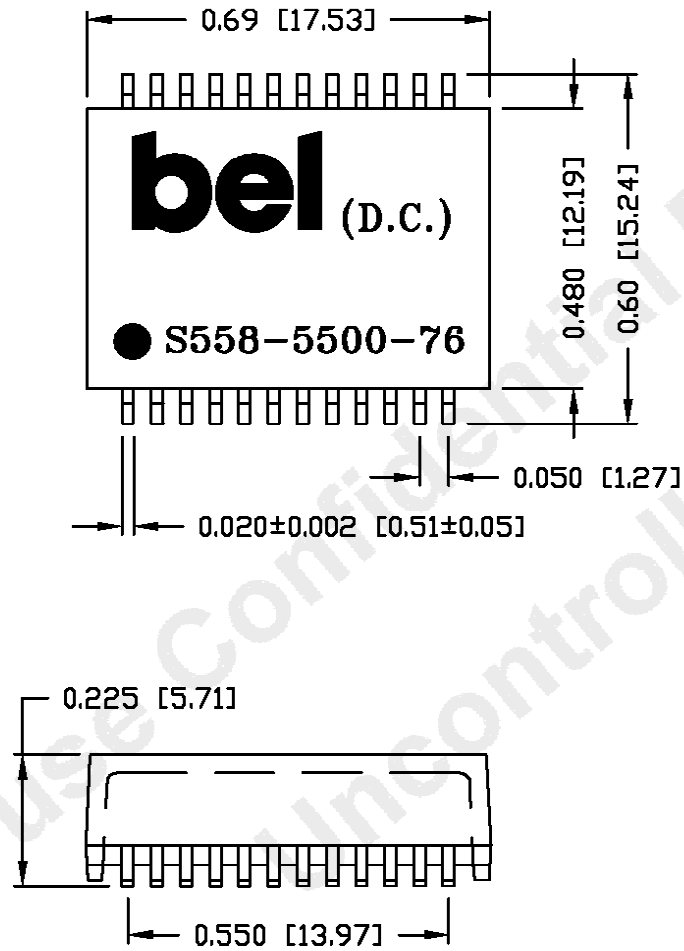
<b>ORIGINATED BY</b> Alice Pang	<b>DATE</b> 2017-03-02	<b>TITLE</b> ELECTRICAL SPECIFICATION	<b>PART NO. / DRAWING NO.</b> S558-5500-76	<b>STANDARD DIM.</b> [ ] METRIC DIM. AS REF.		 POWER   PROTECT   CONNECT	
<b>DRAWN BY</b> ZC Guo	<b>DATE</b> 2017-03-02		<b>FILE NAME</b> S558550076A.DWG	<b>TOL. IN INCH</b>	UNIT : INCH [mm]		
			.X	SCALE : N/A			
			.XX	SIZE : A4			
			.XXX				

THE INFORMATION CONTAINED HEREIN IS CONSIDERED "PROPRIETARY" TO BEL FUSE INC. AND SHALL NOT BE COPIED, REPRODUCED OR DISCLOSED WITHOUT THE WRITTEN APPROVAL OF BEL FUSE INC.

RoHS



SUGGESTED PCB PAD LAYOUT



NOTES:

1. STANDARD MARKING REFER TO DOC. HAND-WORK-04.
2. PACKAGE CODE: 'RQS001'.

ORIGINATED BY	DATE
Lawrence Tsang	2017-03-02
DRAWN BY	DATE
ZC Guo	2017-03-02

TITLE	PART NO. / DRAWING NO.
MECHANICAL OUTLINE	S558-5500-76
	FILE NAME
	S558550076A.DWG

STANDARD DIM.	[ ] METRIC DIM. AS REF.
TOL. IN INCH	UNIT : INCH [mm]
.X	SCALE : N/A
.XX ±0.01	SIZE : A4
.XXX ±0.005	

REV. : A	PAGE : 3
----------	----------

