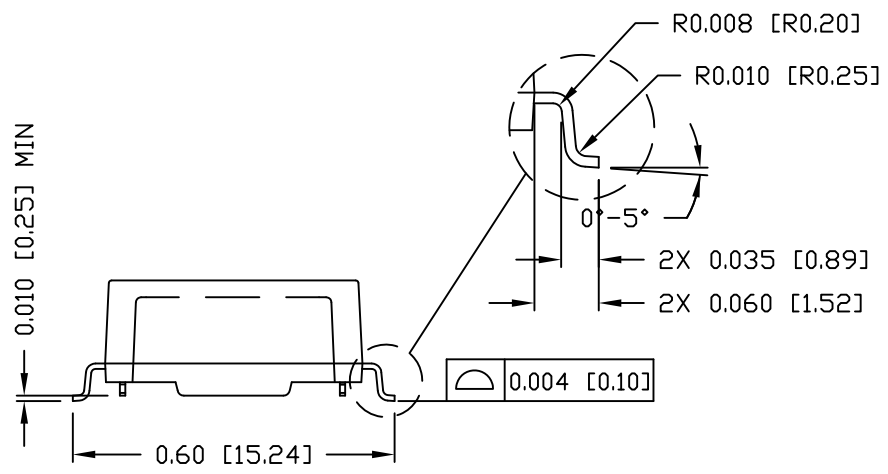
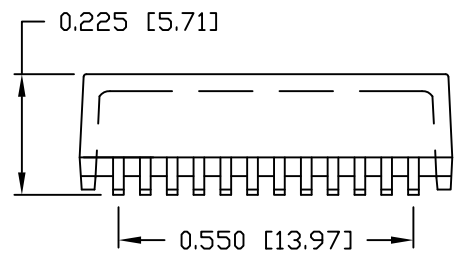
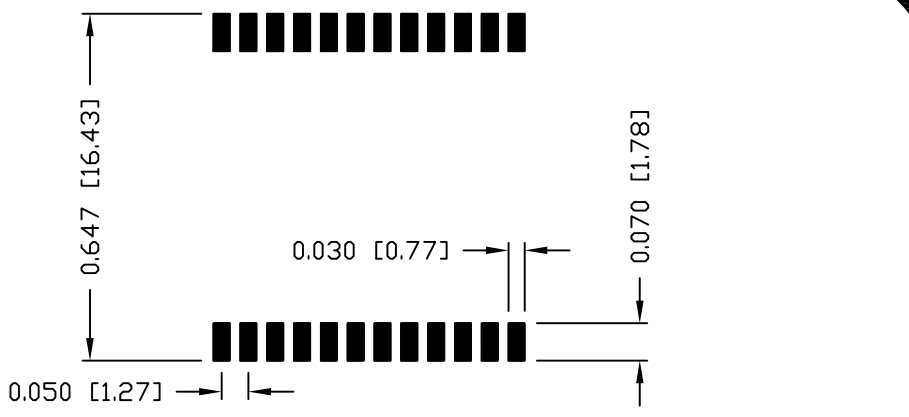
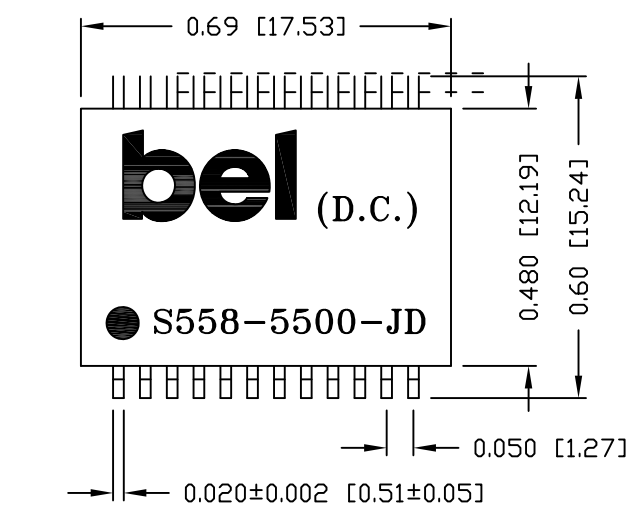


THE INFORMATION CONTAINED HEREIN IS CONSIDERED "PROPRIETARY" TO BEL FUSE INC. AND SHALL NOT BE COPIED, REPRODUCED OR DISCLOSED WITHOUT THE WRITTEN APPROVAL OF BEL FUSE INC.

PRELIMINARY

SUGGESTED PCB PAD LAYOUT



NOTES:

1. STANDARD MARKING REFER TO DOC. HAND-WORK-04.
2. PACKAGE CODE: "RQS001".

ORIGINATED BY		DATE	TITLE MECHANICAL OUTLINE	PART NO. / DRAWING NO.		STANDARD DIM.		[] METRIC DIM. AS REF.		REV. : PA	PAGE : 3
Lawrence Tsang		2015-12-17		S558-5500-JD		TOL. IN INCH		UNIT : INCH [mm]			
DRAWN BY		DATE		FILE NAME		.X		SCALE : N/A			
ZC Guo		2015-12-17	S5585500JDPA.DWG		.XX ±0.01		SIZE : A4				
					.XXX ±0.005						

DC002(2)120214

This document is electronically generated. This is a controlled copy if used internally

