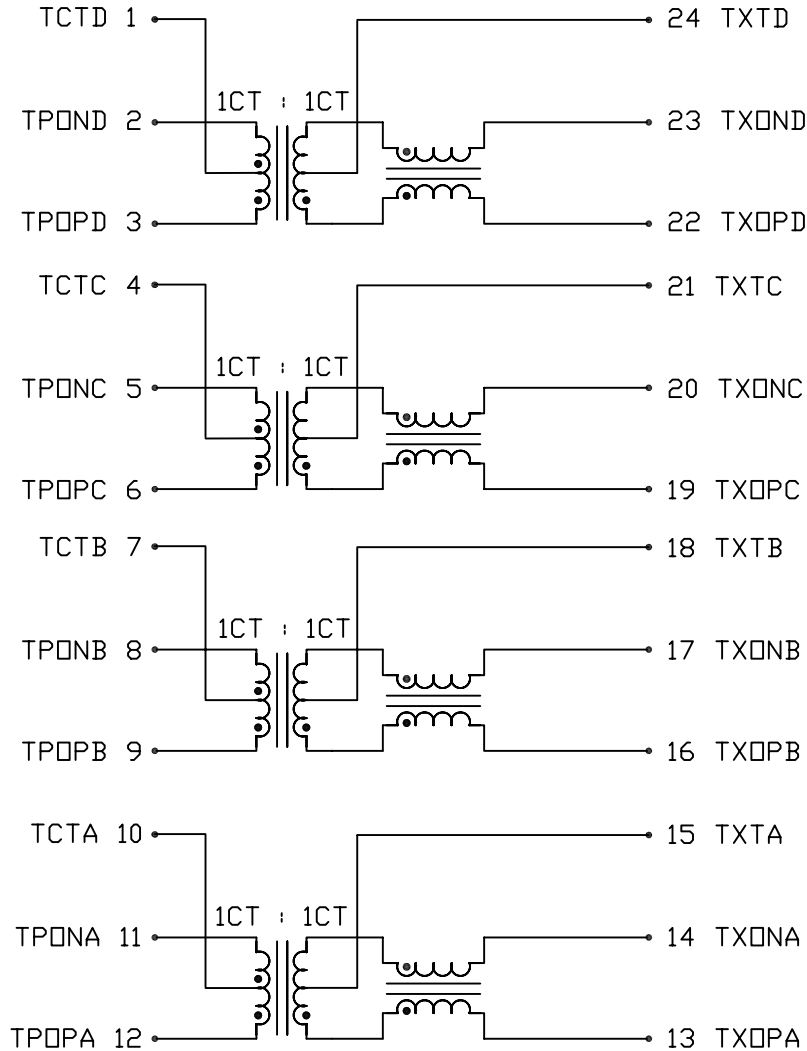


THE INFORMATION CONTAINED HEREIN IS CONSIDERED "PROPRIETARY" TO BEL FUSE INC. AND SHALL NOT BE COPIED, REPRODUCED OR DISCLOSED WITHOUT THE WRITTEN APPROVAL OF BEL FUSE INC.



ELECTRICAL CHARACTERISTICS @ 25°C

SCHEMATIC



URNS RATIO

PIN(3-1-2) : (22-24-23) 1CT : 1CT
 PIN(6-4-5) : (19-21-20) 1CT : 1CT
 PIN(9-7-8) : (16-18-17) 1CT : 1CT
 PIN(12-10-11) : (13-15-14) 1CT : 1CT

CL

350μH MIN. @ 100kHz, 100mV
 WITH 8mA DC BIAS

INSERTION LOSS

1.1dB MAX. @ 0.1 TO 1MHz
 0.5dB MAX. @ 1 TO 65MHz
 1.0dB MAX. @ 80MHz
 1.2dB MAX. @ 125MHz

RETURN LOSS

UNDER 100 OHMS±15% ENVIRONMENT

18dB MIN. @ 0.5 TO 40 MHz
 12-20LOG (f/80MHz) MIN. @
 40 TO 100 MHz

COMMON TO COMMON REJECTION

30dB MIN. @ 0.1 TO 100 MHz

CROSSTALK

33-20LOG (f/100MHz) dB MIN.
 @ 1 TO 100MHz

HIPOT

PER HAND-WORK-03

REV. : B PAGE : 2

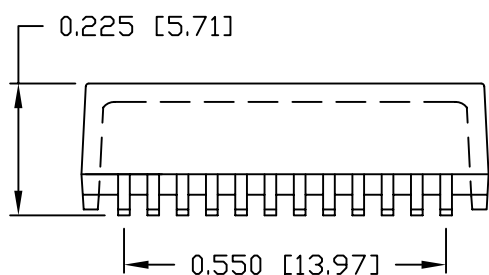
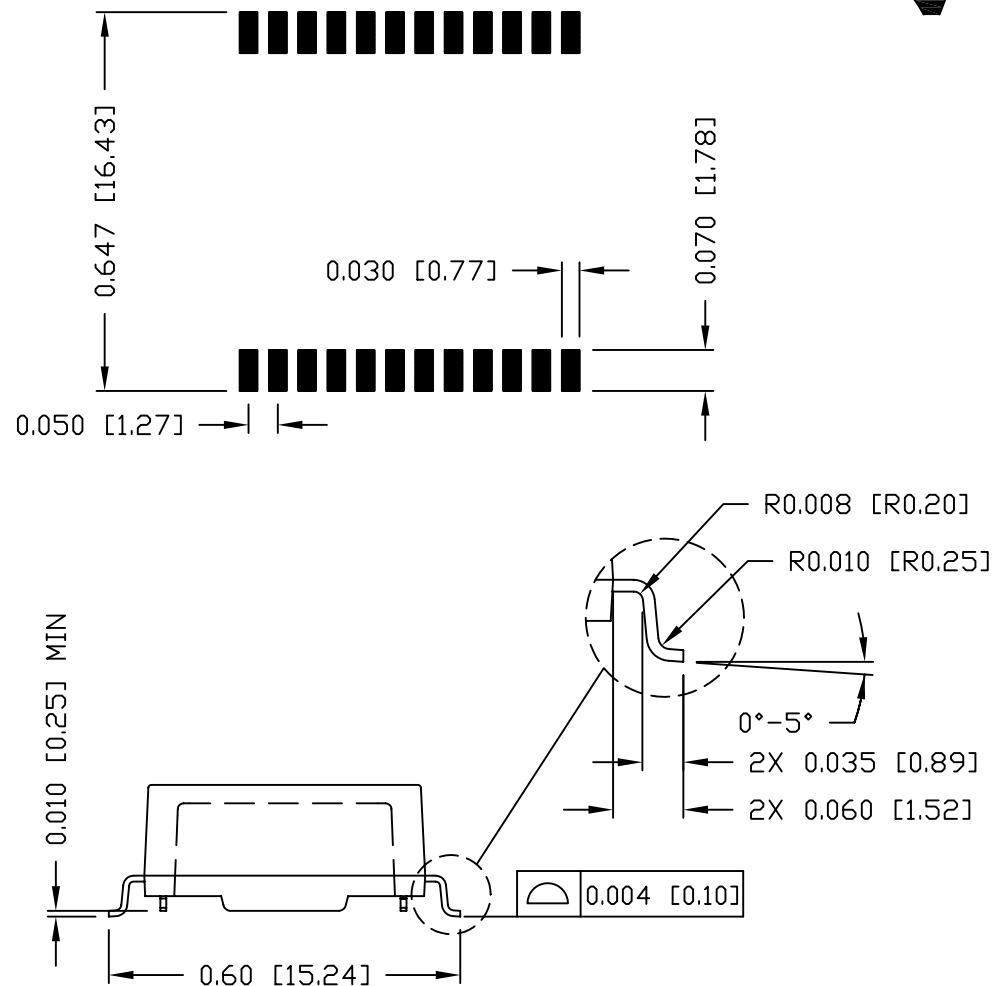
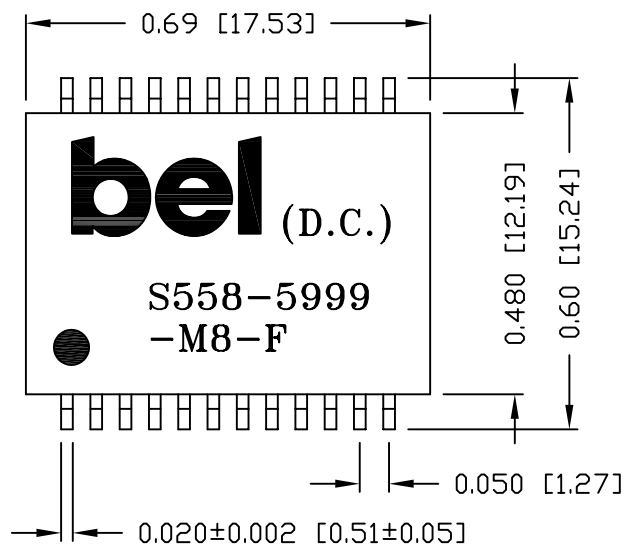
ORIGINATED BY	DATE	TITLE	PART NO. / DRAWING NO.	STANDARD DIM. [] METRIC DIM. AS REF.		 POWER PROTECT CONNECT		
Alice Pang	2015-01-28			ELECTRICAL SPECIFICATION S558-5999-M8-F	X5585999M8-F		TOL. IN INCH	
DRAWN BY	DATE						.X	UNIT : INCH [mm]
ZC Guo	2015-01-28		FILE NAME	.XX	SCALE : N/A			
			X5585999M8FB.DWG	.XXX	SIZE : A4			

THE INFORMATION CONTAINED HEREIN IS CONSIDERED "PROPRIETARY" TO BEL FUSE INC. AND SHALL NOT BE COPIED, REPRODUCED OR DISCLOSED WITHOUT THE WRITTEN APPROVAL OF BEL FUSE INC.

RoHS



SUGGESTED PCB PAD LAYOUT



NOTES:

- STANDARD MARKING REFER TO DOC. HAND-WORK-04.
- PACKAGE CODE: "RQS001".

REV. : B	PAGE : 3		
<p>POWER PROTECT CONNECT</p>			
		STANDARD DIM. [] METRIC DIM. AS REF.	
		TOL. IN INCH	
		UNIT : INCH [mm]	
DRAWN BY		FILE NAME	
DATE		DATE	
ZC Guo		2015-01-28	
TITILE		PART NO. / DRAWING NO.	
MECHANICAL DRAWING		X5585999M8-F	
S558-5999-M8-F		X5585999M8FB.DWG	
ORIGINATED BY		STANDARD DIM.	
DATE		TOL. IN INCH	
Lawrence Tsang		.X	
2015-01-28		.XX ±0.01	
		.XXX ±0.005	
		UNIT : INCH [mm]	
		SCALE : N/A	
		SIZE : A4	