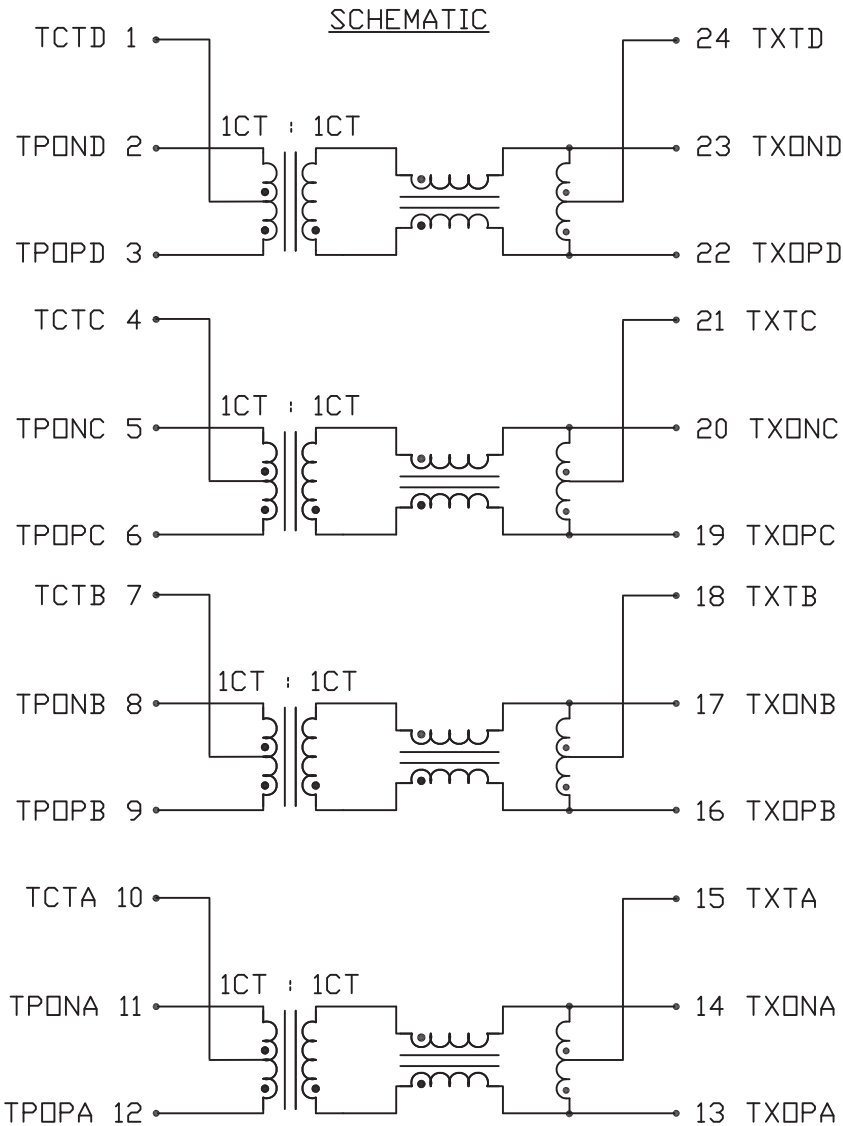


THE INFORMATION CONTAINED HEREIN IS CONSIDERED "PROPRIETARY" TO BEL FUSE INC. AND SHALL NOT BE COPIED, REPRODUCED OR DISCLOSED WITHOUT THE WRITTEN APPROVAL OF BEL FUSE INC.

ELECTRICAL CHARACTERISTICS @ 25°C

RoHS



URNS RATIO

PIN(3-1-2) : (22-24-23)
 PIN(6-4-5) : (19-21-20)
 PIN(9-7-8) : (16-18-17)
 PIN(12-10-11) : (13-15-14)

1CT : 1CT
 1CT : 1CT
 1CT : 1CT
 1CT : 1CT

DCL

350μH MIN. AT 100 kHz, 100mV
 WITH 8mA DC BIAS @25°C

INSERTION LOSS

1.1dB MAX. @ 0.1 MHz
 0.5dB MAX. @ 1 MHz
 0.8dB MAX. @ 65 MHz
 1.0dB MAX. @ 100 MHz
 1.5dB MAX. @ 125 MHz

RETURN LOSS

UNDER 100 OHMS±15% ENVIRONMENT

18dB MIN. @ 0.5 TO 40 MHz
 12-20LOG (f/80 MHz) dBMIN.
 @ 40 TO 100 MHz

COMMON TO COMMON REJECTION

30dB MIN. @ 0.1 TO 100 MHz

CROSSTALK

@ 1-100 MHz
 33-20LOG (f/100 MHz) dB MIN.

HIPOT

PER HAND-WORK-03

NOTES :

THIS PRODUCT HAS BEEN SUPPLYING TO JAPAN CUSTOMERS. PCN PROCESS NEEDS TO COMPLY WITH 4M CRITERIA.

REV. : D PAGE : 2

ORIGINATED BY	DATE
Alice Pang	2015-07-16
DRAWN BY	DATE
ZC Guo	2015-01-28

TITLE
ELECTRICAL SPECIFICATION
S558-5999-P3-F

PART NO. / DRAWING NO.
X5585999P3-F
FILE NAME
X5585999P3FD.DWG

STANDARD DIM.	[] METRIC DIM. AS REF.
TOL. IN INCH	
.X	
.XX	
.XXX	

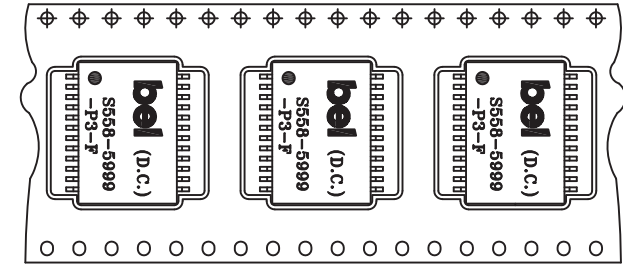
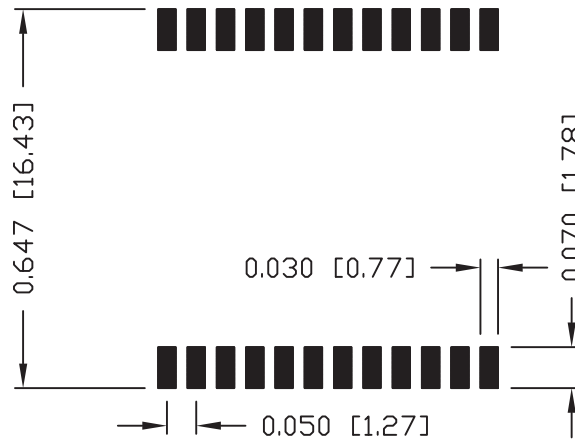
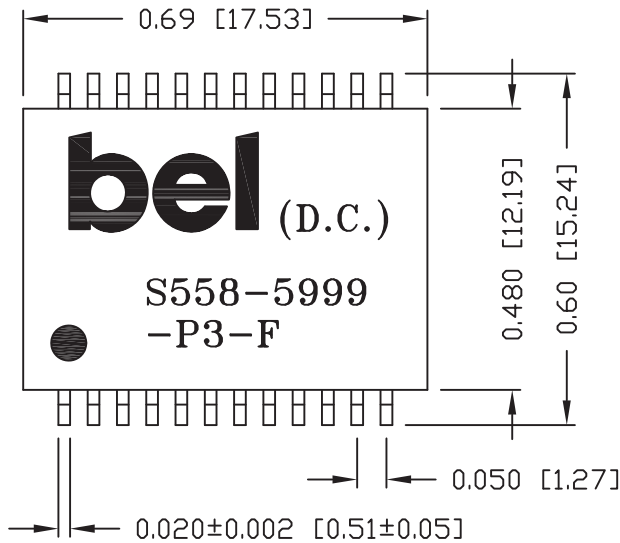
UNIT :	INCH [mm]
SCALE :	N/A
	SIZE : A4



THE INFORMATION CONTAINED HEREIN IS CONSIDERED "PROPRIETARY" TO BEL FUSE INC. AND SHALL NOT BE COPIED, REPRODUCED OR DISCLOSED WITHOUT THE WRITTEN APPROVAL OF BEL FUSE INC.

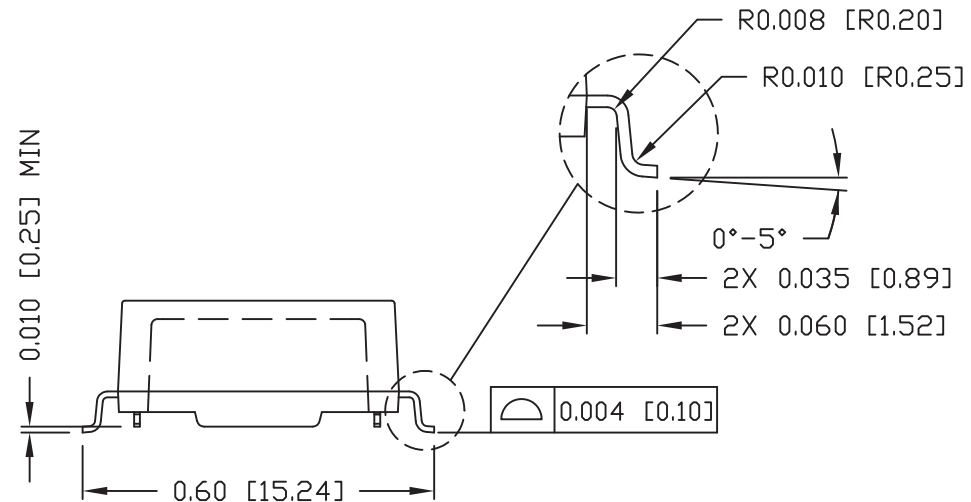
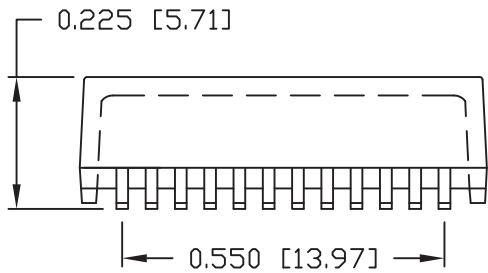


SUGGESTED PCB PAD LAYOUT



➔ USER FEED DIRECTION
ORIENTATION OF COMPONENT INSIDE POCKET

TAPE WIDTH	32MM
POCKET PITCH	24MM
QUANTITY OF COMPONENTS PER REEL	300
PLASTIC REEL OUTER DIAMETER	13 INCHES
PLASTIC REEL HUB DIAMETER	4 INCHES
COMPLY WITH EIA 481-2-A	



NOTES :

- STANDARD MARKING REFER TO DOC. HAND-WORK-04.
- PACKAGE CODE: "RQS001".
- THIS PRODUCT HAS BEEN SUPPLYING TO JAPAN CUSTOMERS. PCN PROCESS NEEDS TO COMPLY WITH 4M CRITERIA.

REV. : D PAGE : 3

ORIGINATED BY	DATE	TITLE MECHANICAL OUTLINE S558-5999-P3-F
Lawrence Tsang	2015-07-16	
DRAWN BY	DATE	
ZC Guo	2015-07-16	

PART NO. / DRAWING NO.	X5585999P3-F
FILE NAME	X5585999P3FD.DWG

STANDARD DIM.	[] METRIC DIM. AS REF.
TOL. IN INCH	UNIT : INCH [mm]
.X	SCALE : N/A
.XX	±0.01
.XXX	±0.005

SIZE : A4

