



Please note that Cypress is an Infineon Technologies Company.

The document following this cover page is marked as “Cypress” document as this is the company that originally developed the product. Please note that Infineon will continue to offer the product to new and existing customers as part of the Infineon product portfolio.

Continuity of document content

The fact that Infineon offers the following product as part of the Infineon product portfolio does not lead to any changes to this document. Future revisions will occur when appropriate, and any changes will be set out on the document history page.

Continuity of ordering part numbers

Infineon continues to support existing part numbers. Please continue to use the ordering part numbers listed in the datasheet for ordering.

32-bit Arm® Cortex®-R5F TRAVEO™ T1G Microcontroller

S6J3360/70 is a series of Automotive Cluster applications in general meter control to connect to the driver as speed meter, tachometer, temperature meter, and fuel meter. This embedded device enables next-generation functions such as Controller Area Network with Flexible Data rate (CAN FD) and Secure Hardware Extension (SHE). MCUs for this application require an operating temperature range of T_A -40 °C to 105 °C and Automotive Electronics Council (AEC) qualification.

Features

Key Features

- 32-bit Arm® Cortex®-R5F CPU core at up to 132 MHz
- 80-MHz internal flash memory access speed
- Flash memory size (max)
 - TC-Flash: 2,112 KB/ Work-Flash: 112 KB
- RAM size (max)
 - TC-RAM: 128 KB/ System -RAM: 128 KB (this includes 16 KB + 8 KB back-up area)
- 5 V or 3.3 V power supply voltage
- Packages
 - LQFP packages (144-pin)
 - TEQFP packages (176-pin/144-pin)
- ASIL-B support for ISO 26262 specification
- CMOS 40-nm technology
- JTAG debug interface
- Operating temperature: -40 to 105 °C

Peripheral Functions

- System
 - External interrupt
 - I/O timer (Free-run timer/ Input capture/ Output compare)
 - 12-bit A/D converter
 - Base timer
 - Reload timer
 - DMA controller
- Applications
 - Stepper motor controller
 - LCD controller
 - Real time clock
 - LCD bus interface
 - Indicator PWM
- Sound function
 - Sound waveform generator
 - Sound mixer
 - PCM-PWM
 - I2S
 - Sound generator
- External device and memory interface
 - CAN FD controller
 - Multi-function serial interface (UART, CSIO, LIN and I²C)
 - DDR-HSSPI
 - External bus interface
- Security and safety
 - Secure Hardware Extension (SHE)
 - Safety features such as MPU, TPU, ECC, and others
 - Watchdog timer
 - Low-voltage detector
 - Clock supervisor

Figure 1: Functional Diagram

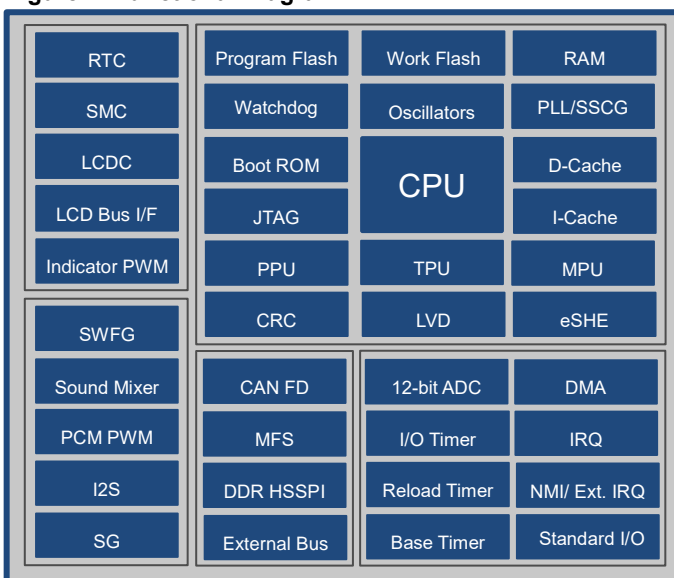


Table of Contents

1. Features	3	7.3	DC Characteristics.....	77	
1.1	Function List.....	3	7.4	AC Characteristics.....	84
1.2	Optional Function.....	6	7.5	A/D Converter.....	130
2. Handling Precautions	8	7.6	Flash Memory.....	135	
2.1	Precautions for Product Design.....	8	8. Ordering Information	136	
2.2	Precautions for Package Mounting.....	9	9. Package Dimensions	138	
2.3	Precautions for Use Environment.....	10	9.1	LQFP144 (0.5 mm).....	138
3. Handling Devices	11	9.2	LQFP144 (0.4 mm).....	139	
4. Pin Assignment	13	9.3	TEQFP176.....	140	
4.1	TEQFP 176 Pin Assignment.....	13	9.4	TEQFP144 (0.5 mm).....	141
4.2	LQFP/TEQFP-144 Pin Assignment.....	14	9.5	TEQFP144 (0.4 mm).....	142
5. Pin Descriptions	15	10. Acronyms	143		
5.1	Pin Descriptions.....	15	11. Errata	145	
5.2	I/O Circuit Type.....	55	12. Appendix	148	
5.3	Input Level Setting/ Output Drive Capacity Setting.....	60	12.1	Application 1: JTAG tool Connection.....	148
6. Block Diagram	68	13. Major Changes	149		
7. Electrical Characteristics	69	Document History	151		
7.1	Absolute Maximum Ratings.....	69	Sales, Solutions, and Legal Information	154	
7.2	Recommended Operating Conditions.....	72			

1. Features

1.1 Function List

The following table shows the functions that are implemented in the S6J3360/S6J3370 series.

Function	S6J33xxJxx 176-Pin	S6J33xxHxx 144-Pin	Remarks
CPU core	Arm® Cortex®-R5F		
FPU	Available		
PPU	Available		
MPU	Available		
TPU	Available		
Endian	Little endian		
Core clock frequency	132 MHz		See section 7.4.3
HPM bus frequency	Option		See section 7.4.3
LLPM bus frequency	Option		See section 7.4.3
Resource clock frequency	Option		See section 7.4.3
Embedded CR oscillation	Slow clock: 100 kHz Fast clock: 4 MHz (Center frequency)		
PLL	PLL0, Expand PLL0,1,2		
SSCG PLL	SSCG0		
Clock supervisor	Available		
DMA	16 ch		
Boot-ROM	16 KB		
JTAG	Available		
Data cache	16 KB		
Instruction cache	16 KB		
Program Flash	Option		See section 1.2.1
Work Flash	112 KB		See section 1.2.1
TC-RAM	128 KB		See section 1.2.1
System-RAM	128 KB (include backup area)		See section 1.2.1
Backup area in System-RAM	16+8 KB		See section 1.2.1
Security (SHE)	Available		
Low latency interrupt	Available		
Power domain	3 domains		PD1/PD2/PD4 (PD4_1,PD4_2)
Power supply	5.0 V ± 0.5 V or 3.3 V ± 0.3 V		
Embedded LDO power supply for 5.0 V	Available		

Function	S6J33xxJxx 176-Pin	S6J33xxHxx 144-Pin	Remarks
Low-voltage detection of external power supply	Available		
Low-voltage detection of internal LDO output	Available		
Hardware watchdog timer	Available		
Software watchdog timer	Available		
Package	TEQPF-176 (0.5 mm)	LQFP-144 (0.4 mm)/ LQFP-144 (0.5 mm)/ TEQFP-144 (0.4 mm)/ TEQFP-144 (0.5 mm)	See section 1.2.1 (): pin pitch
General-purpose I/O	126 ports (124 ports)	94 ports (92 ports)	(): When used sub clock
QPRC	2 ch		
32-bit reload timer	6 ch (Input: 6 pin/ Output: 6 pin)		
Real-time clock	Available		Automatic calibration
Sound waveform generator	1 unit × 5 outputs		
Sound mixer	1 unit × 10 inputs		
PCM-PWM	1 unit (L and R)		
Base timer	16 units (32 ch)		
Free-run timer	8 ch (Input: 8 pin)		
Input capture unit	12 ch		
Output compare unit	12 ch (Output: 12 pin)		
Stepping motor controller (SMC)	6 gauges		
12-bit A/D converter	48 ch	40 ch	1 unit
Partial wake up	Analog input 8 ch Trigger 1 ch		
CRC	4 ch		
Programmable CRC	1 ch		
Source clock timer	4 ch		
NMI	Available		
External interrupt	24 ch		
Internal interrupt	256 vectors		

Function	S6J33xxJxx 176-Pin	S6J33xxHxx 144-Pin	Remarks
I2S	2 ch (ch0: Output only ch1: Input/ Output)		One only supports an output as a function of the sound system.
DDR HSSPI	1 ch		
Segment LCD controller	4 COM × 32 SEG		
LCD bus interface	Data: 18 bit		
Ext. bus interface	Address: 22 bit Data: 16 bit	Address: 15 bit Data: 16 bit	
CAN FD	4 ch		
CAN FD RAM (ECC supported)	16 KB/ch It is equivalent to a 128-message buffer per channel of the CAN module		
Multi-function serial interface	12 ch		
	I ² C	10 ch (Fast mode support: 2 ch)	
Sound generator	5 ch		
Indicator PWM	1 ch		
Clock output	1 ch		

Notes:

- The optional functions are described in section 1.2
- The specifications in the table that are related to electrical characteristics only show the typical values. They do not necessarily include the width of characteristics, errors, and so on. The details are described in section 7.2.

1.2 Optional Function

1.2.1 Basic Option

The following figure shows the optional functions and the part number relations of the series.

◆Basic Option

S 6 J 3 | 3 0 0 | H A A S | V 2 0 | x x x

Ordering option 3 digit

Packing

Digit	Packing Type
0	Tray
D	Tape and Reel

Package

Digit	Package Type
L2	LQFP 0.4 mm pitch
V2	LQFP 0.5 mm pitch
C2	TEQFP 0.4 mm pitch
E2	TEQFP 0.5 mm pitch

Reliability

Digit	Product / Sample
S	Qualified product
E	Engineering Sample

Revision : Revision version

Option :

Digit	SHE	Maker Chip Erase Enable Register (CEER)	Power Supply Condition ¹
S	ON	MK CEER Fixed to Enable	VCC5 = AVCC5 = DVCC = 5.0 [V] or 3.3 [V]
T	ON	MK CEER Selectable	
U	OFF	MK CEER Fixed to Enable	
V	OFF	MK CEER Selectable	VCC5 = AVCC5 = 3.3 [V], DVCC = 5.0 [V]
A	ON	MK CEER Fixed to Enable	
E	ON	MK CEER Selectable	
C	OFF	MK CEER Fixed to Enable	
G	OFF	MK CEER Selectable	

¹ VCC5 ≥ VCC53_1/VCC53_2

Pin count

Digit	Pin count
H	144 pin
J	176 pin

Memory size

Digit	Flash		RAM	
	TC Flash	Work Flash	TCRAM	System RAM
C	2,112KB	112KB	128KB	128KB ²
B	1,600KB			
A	1,088KB			

² Including Back-up RAM area. Back-up RAM size is 16+8KB.

Function :

Digit	LCD BUS	Sound System
6	Yes	Yes
7	Yes	-

Product series

Identifier : Automotive MCU

Note:

- This table only shows the relation between the optional function and the part numbers; that is, all products are not necessarily available for orders. See the order number on the datasheet and confirm product availability.
- Relationship of package option and pin count option is as follows.

(S6J3370 series support LQFP package. S6J3360 series don't support LQFP package.)

		Pin count		
		H	J	
		144pin	176pin	
Package	L2	LQFP 0.4 mm pitch	○	-
	V2	LQFP 0.5 mm pitch	○	-
	C2	TEQFP 0.4 mm pitch	○	-
	E2	TEQFP 0.5 mm pitch	○	○

○: Support, —: Not support.

1.2.2 ID

ID is specified for each memory size digit, option digit, and revision.

Memory Size	Option	Revision	Chip ID	JTAG ID	SHE Module ID (SHE_MID) *
C	S	B	0x10160101	0x002505CF	0x000F_0300
	T			0x002515CF	
	U			0x002525CF	
	V			0x002535CF	
	A		0x10168101	0x002505CF	
	E			0x002515CF	
	C			0x002525CF	
	G			0x002535CF	
B	S		0x10160101	0x002545CF	
	T			0x002555CF	
	U			0x002565CF	
	V			0x002575CF	
	A		0x10168101	0x002545CF	
	E			0x002555CF	
	C			0x002565CF	
	G			0x002575CF	
A	S	0x10160101	0x002585CF		
	T		0x002595CF		
	U		0x0025A5CF		
	V		0x0025B5CF		
	A	0x10168101	0x002585CF		
	E		0x002595CF		
	C		0x0025A5CF		
	G		0x0025B5CF		

* See the "SHE Module ID Register" in the "Secure Hardware Extension (SHE)" chapter in the TRAVEO™ T1G Platform hardware manual for details.

2. Handling Precautions

Semiconductor devices inherently have a certain rate of failure. The possibility of failure is greatly affected by the conditions in which they are used (circuit conditions, environmental conditions, and so on). This page describes precautions that must be observed to minimize the chance of failure and to obtain higher reliability from your Cypress semiconductor devices.

2.1 Precautions for Product Design

This section describes precautions when designing electronic equipment using semiconductor devices.

Absolute Maximum Ratings

Semiconductor devices can be permanently damaged by application of stress (voltage, current, temperature, and so on) in excess of certain established limits, called absolute maximum ratings. Do not exceed these ratings.

Recommended Operating Conditions

Recommended operating conditions are normal operating ranges for the semiconductor device. All the device's electrical characteristics are warranted when operated within these ranges.

Always use semiconductor devices within the recommended operating conditions. Operation outside these ranges may adversely affect reliability and could result in device failure.

No warranty is made with respect to uses, operating conditions, or combinations not represented on the datasheet. Users considering application outside the listed conditions are advised to contact their sales representative beforehand.

Processing and Protection of Pins

These precautions must be followed when handling the pins which connect semiconductor devices to power supply and input/output functions.

1. Preventing overvoltage and overcurrent conditions

Exposure to voltage or current levels in excess of maximum ratings at any pin is likely to cause deterioration within the device, and in extreme cases leads to permanent damage of the device. Try to prevent such overvoltage or over-current conditions at the design stage.

2. Protection of output pins

Shorting of output pins to supply pins or other output pins, or connection to large capacitance can cause large current flows. Such conditions if present for extended periods of time can damage the device. Therefore, avoid this type of connection.

3. Handling unused input pins

Unconnected input pins with very high impedance levels can adversely affect stability of operation. Such pins should be connected through an appropriate resistance to a power supply pin or ground pin.

Latch-Up

Semiconductor devices are constructed by the formation of P-type and N-type areas on a substrate. When subjected to abnormally high voltages, internal parasitic PNP junctions (called thyristor structures) may be formed, causing large current levels in excess of several hundred mA to flow continuously at the power supply pin. This condition is called latch-up.

CAUTION: The occurrence of latch-up not only causes loss of reliability in the semiconductor device, but can cause injury or damage from high heat, smoke or flame. To prevent this from happening, do the following:

1. Make sure that voltages applied to pins do not exceed the absolute maximum ratings. This must include attention to abnormal noise, surge levels, and so on.
2. Make sure that abnormal current flows do not occur during the power-on sequence.

Observance of Safety Regulations and Standards

Most countries in the world have established standards and regulations regarding safety, protection from electromagnetic interference, and so on. Customers are requested to observe applicable regulations and standards in the design of products.

Fail-Safe Design

Any semiconductor devices have inherently a certain rate of failure. You must protect against injury, damage or loss from such failures by incorporating safety design measures into your facility and equipment such as redundancy, fire protection, and prevention of over-current levels and other abnormal operating conditions.

Precautions Related to Usage of Devices

Cypress Semiconductor devices are intended for use in standard applications (computers, office automation and other office equipment, industrial, communications, and measurement equipment, personal or household devices, and so on).

CAUTION: Customers considering the use of our products in special applications where failure or abnormal operation may directly affect human lives or cause physical injury or property damage, or where extremely high levels of reliability are demanded (such as aerospace systems, atomic energy controls, sea floor repeaters, vehicle operating controls, medical devices for life support, and so on) are requested to consult with sales representatives before such use. The company will not be responsible for damages arising from such use without prior approval.

2.2 Precautions for Package Mounting

Package mounting may be either lead insertion type or surface mount type. In either case, for heat resistance during soldering, you should only mount under Cypress's recommended conditions. For detailed information about mount conditions, contact your sales representative.

Lead Insertion Type

Mounting of lead insertion type packages onto printed circuit boards may be done by two methods: direct soldering on the board, or mounting by using a socket.

Direct mounting onto boards normally involves processes for inserting leads into through-holes on the board and using the flow soldering (wave soldering) method of applying liquid solder. In this case, the soldering process usually causes leads to be subjected to thermal stress in excess of the absolute ratings for storage temperature. Mounting processes should conform to Cypress recommended mounting conditions.

If socket mounting is used, differences in surface treatment of the socket contacts and IC lead surfaces can lead to contact deterioration after long periods. For this reason, it is recommended that the surface treatment of socket contacts and IC leads be verified before mounting.

Surface Mount Type

Surface mount packaging has longer and thinner leads than lead-insertion packaging, and therefore leads are more easily deformed or bent. The use of packages with higher pin counts and narrower pin pitch results in increased susceptibility to open connections caused by deformed pins, or shorting due to solder bridges.

You must use appropriate mounting techniques. Cypress recommends the solder reflow method, and have established a ranking of mounting conditions for each product. Users are advised to mount packages in accordance with Cypress ranking of recommended conditions.

Pb-Free Packaging

CAUTION: When ball grid array (BGA) packages with Sn-Ag-Cu balls are mounted using Sn-Pb eutectic soldering, junction strength may be reduced under some conditions of use.

Storage of Semiconductor Devices

Because plastic chip packages are formed from plastic resins, exposure to natural environmental conditions will cause absorption of moisture. During mounting, the application of heat to a package that has absorbed moisture can cause surfaces to peel, reducing moisture resistance and causing packages to crack. To prevent, do the following:

1. Avoid exposure to rapid temperature changes, which cause moisture to condense inside the product. Store products in locations where temperature changes are slight.
2. Use dry boxes for product storage. Products should be stored below 70 % relative humidity, and at temperatures between 5 °C and 30 °C.
When you open a dry package, the relative humidity must be 40 % to 70 %.
3. When necessary, Cypress packages semiconductor devices in highly moisture-resistant aluminum laminate bags, with a silica gel desiccant. Devices should be sealed in their aluminum laminate bags for storage.
4. Avoid storing packages where they are exposed to corrosive gases or high levels of dust.

Baking

Packages that have absorbed moisture may be de-moisturized by baking (heat drying). Follow the Cypress recommended conditions for baking.

Condition: 125 °C/24 h

Static Electricity

Because semiconductor devices are particularly susceptible to damage by static electricity, you must take the following precautions:

1. Maintain relative humidity in the working environment between 40 % and 70 %. Use of an apparatus for ion generation may be needed to remove electricity.
2. Electrically ground all conveyors, solder vessels, soldering irons, and peripheral equipment.
3. Eliminate static body electricity by the use of rings or bracelets connected to ground through high resistance (on the level of 1 M Ω).
Wearing of conductive clothing and shoes, use of conductive floor mats and other measures to minimize shock loads is recommended.
4. Ground all fixtures and instruments, or protect with anti-static measures.
5. Avoid the use of Styrofoam or other highly static-prone materials for storage of completed board assemblies.

2.3 Precautions for Use Environment

Reliability of semiconductor devices depends on ambient temperature and other conditions as described above.

For reliable performance, do the following:

1. Humidity
Prolonged use in high humidity can lead to leakage in devices as well as printed circuit boards. If high humidity levels are anticipated, consider anti-humidity processing.
2. Discharge of Static Electricity
When high-voltage charges exist close to semiconductor devices, discharges can cause abnormal operation. In such cases, use anti-static measures or processing to prevent discharges.
3. Corrosive Gases, Dust, or Oil
Exposure to corrosive gases or contact with dust or oil may lead to chemical reactions that will adversely affect the device. If you use devices in such conditions, consider ways to prevent such exposure or to protect the devices.
4. Radiation, including cosmic radiation
Most devices are not designed for environments involving exposure to radiation or cosmic radiation. Users should provide shielding as appropriate.
5. Smoke, Flame
CAUTION: Plastic molded devices are flammable, and therefore should not be used near combustible substances. If devices begin to smoke or burn, there is danger of the release of toxic gases.

Customers considering the use of Cypress products in other special environmental conditions should consult with sales representatives.

3. Handling Devices

Latch-Up Prevention

The latch-up phenomenon may occur on a CMOS IC in the following cases: the voltage applied to an input or output pin is higher than VCC5 or lower than VSS; or the voltage applied between a VCC5 pin and a VSS pin exceeds the rating. A latch-up causes a rapid increase in the power supply current, possibly resulting in thermal damage to an element. When using the device, take sufficient care not to exceed the maximum rating.

Also, be careful that analog power supplies (AVCC5, AVRH5) and analog inputs do not exceed the digital power supply (VCC5) at the analog system power-on and power-off times. The power-on sequence is as follows. Simultaneously, turn on the digital supply voltage (VCC5) and analog supply voltages (AVCC5, AVRH5), or turn on the digital supply voltage (VCC5) and then the analog supply voltages (AVCC5, AVRH5).

Handling Unused Pins

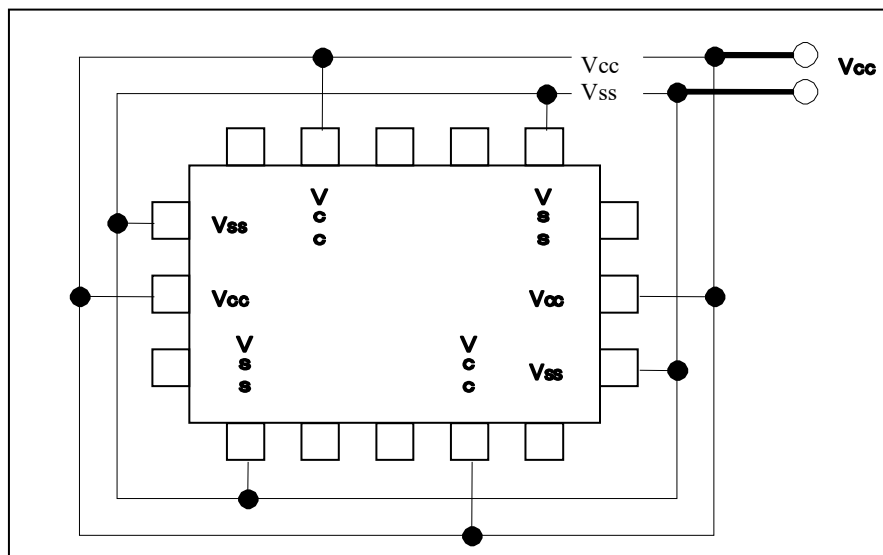
Leaving unused input pins open may cause permanent damage from a malfunction or latch-up. Take measures, such as pulling up or pulling down the voltage with resistors of 2 kΩ or higher, for unused pins.

If there are any unused input/output pins, set them to the output state and then open them, or set them to the input state and handle them in the same way as input pins.

Power Supply Pins

If the device has multiple VCC and VSS pins, the device is designed in such a way that the pins of the same potential are connected to each other inside the device to prevent malfunctions such as latch-up. However, to reduce unwanted emissions, prevent malfunctions of strobe signals caused by an increase of the ground level, and observe standards on total output current, be sure to connect all the VCC and VSS pins to the power source and ground externally. Also, handle all the VSS power supply pins as shown in the following diagram. If there are multiple VCC or VSS systems, the device does not operate normally even within the guaranteed operating range.

Figure 1-1 Pin Assignment



In addition, consider connecting with low impedance from the power supply source to the VCC and VSS of this device.

In the area close to this device, a ceramic capacitor having the capacitance larger than the capacitor of C pin is recommended to use as a bypass capacitor between the VCC pin and the VSS pin.

Crystal Oscillation Circuit

Noise entering the X0 or X1 pin may cause a malfunction. Design the printed circuit board in such a way that the X0 and X1 pins, the crystal oscillator (or ceramic resonator), and a bypass capacitor to ground are located very close to the device.

Cypress recommends that the printed circuit board artwork have the X0 and X1 pins enclosed by ground.

Mode Pin (MODE)

Use mode pin (MODE) by directly connecting it to a VCC5 or VSS pin. To prevent noise from causing the device to accidentally enter test mode, reduce the pattern length between each mode pin and a VCC5 or VSS pin on the printed circuit board, and connect them with low impedance.

PLL Clock Operation

While a PLL clock is selected, if the oscillator breaks off or input stops, the PLL clock may continue operating with the free running frequency of the internal self-oscillator circuit. This operation is outside of the guaranteed range.

Power Supply Pin Processing of an A/D Converter

Even when no A/D converter is used, establish a connection such that $AVCC5 = AVRH5 = VCC5$, and $AVSS = VSS$.

Power-on Sequence of the Power Supply Analog Inputs of an A/D Converter

Be sure to turn on the digital power supply (VCC5) before the application of the power supplies (AVCC5, AVRH5) and analog inputs (ADC0_AN0 to ADC0_AN47) of an A/D converter. At the power-off time, turn off the power supplies and analog inputs of the A/D converter, and then turn off the digital power supply (VCC5). Perform these power-on and power-off operations without AVRH5 exceeding AVCC5. Even when using a pin shared with an analog input as an input port, do not allow the input voltage to exceed AVCC5. (Turning on or off the analog supply voltage and digital supply voltage simultaneously is not a problem.)

C-Pin Processing

This device has a built-in voltage step-down circuit. Be sure to connect a capacitor to the C pin (See the pin assignment) for internal stabilization of the device. For the standard values, see "Recommended operating conditions" in the latest datasheet.

Writing to a Register Containing a Status Flag

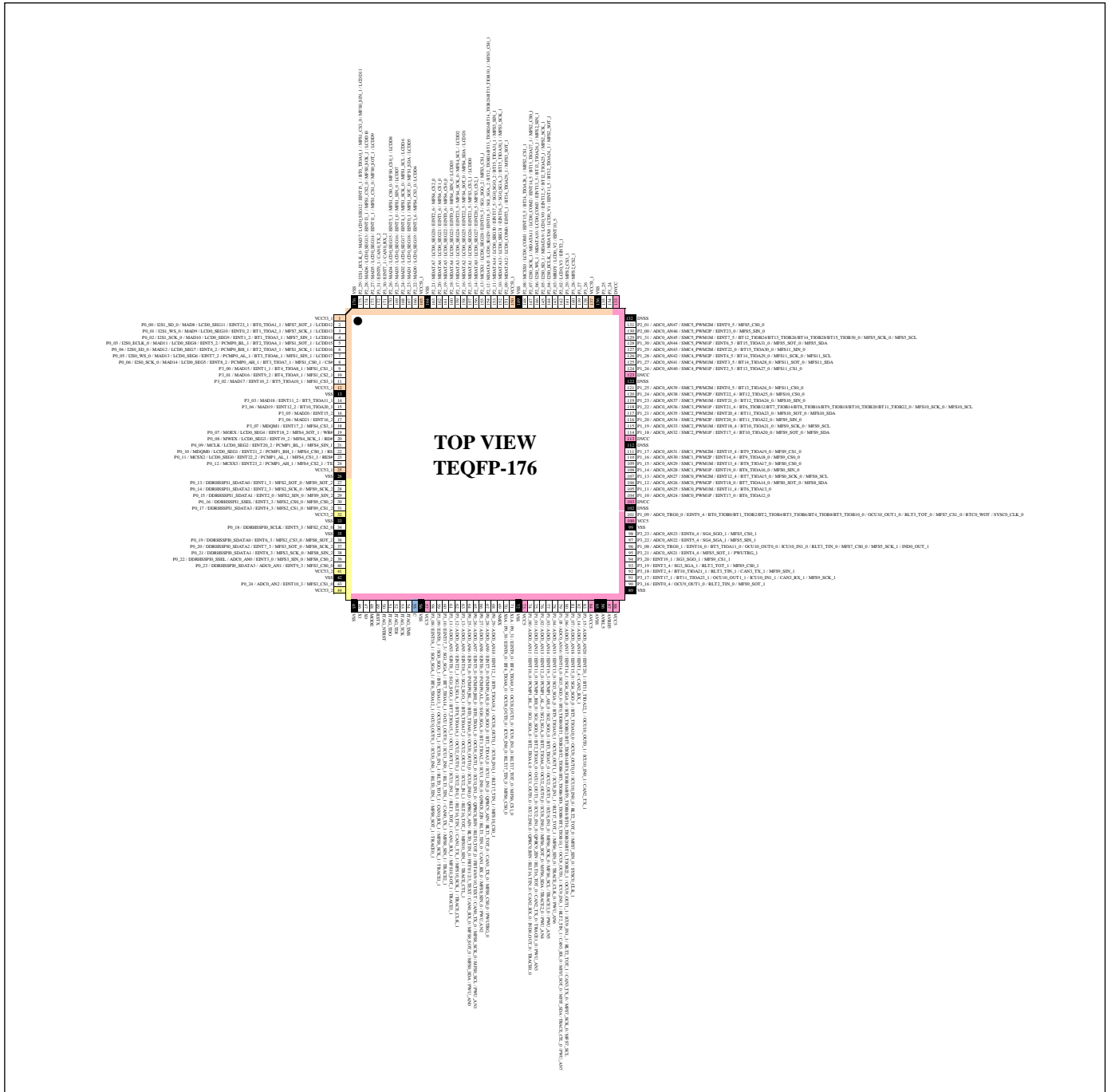
When you write to a register containing a status flag (such as an interrupt request flag) to control a function, take care not to accidentally clear the status flag. Therefore, before the write operation, configure the status bit such that the flag is not cleared, and then set the control bit to the desired value. Especially for control bits configured as a set of multiple bits, bit instructions cannot be used (bit instructions only have 1-bit access). In such cases, byte, half-word, or word access is used to write to the control bits and a status flag simultaneously. However, at this time, be careful not to accidentally clear bits other than the intended ones (the status flag bit in this case).

Note: Bit instructions take this point into consideration for registers that support bit-band units, so it does not need to be a concern. You need to take care when using bit instructions for registers that do not support bit-band units.

4. Pin Assignment

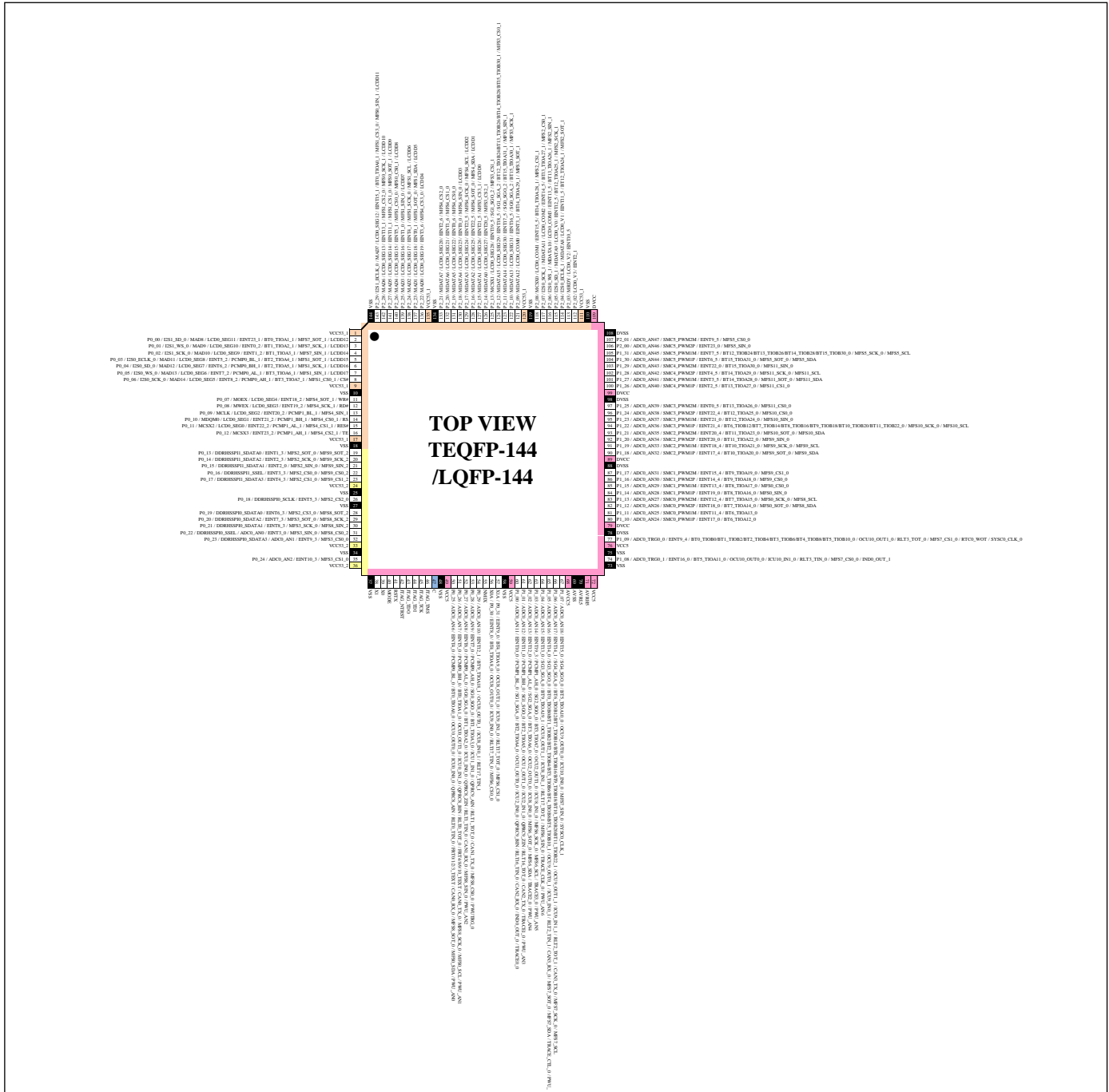
4.1 TEQFP 176 Pin Assignment

Figure 4-1: TEQFP-176



4.2 LQFP/TEQFP-144 Pin Assignment

Figure 4-2: LQFP/TEQFP-144



5. Pin Descriptions

5.1 Pin Descriptions

5.1.1 TEQFP176

Table 5-1-1: Pin Descriptions of TEQFP176

TEQFP176			
Pin No.	Pin Name	I/O Circuit Type	Function Description
1	VCC53_1	-	+3.3 V/ +5.0 V selection power supply pin (1)
2	P0_00	P	GPIO port
	I2S1_SD_0		I2S ch.1 serial data I/O pin_0
	MAD8		External bus interface address output pin
	LCD0_SEG11		LCD controller segment output pin
	EINT23_1		External interrupt ch.23 input pin_1
	BT0_TIOA1_1		Base timer0 ch.1 TIOA output pin_1
	MFS7_SOT_1		Multi-function serial ch.7 serial data output pin_1
	LCDD12		LCD bus interface data I/O pin
3	P0_01	P	GPIO port
	I2S1_WS_0		I2S ch.1 word select pin_0
	MAD9		External bus interface address output pin
	LCD0_SEG10		LCD controller segment output pin
	EINT0_2		External interrupt ch.0 input pin_2
	BT1_TIOA2_1		Base timer1 ch.2 TIOA output pin_1
	MFS7_SCK_1		Multi-function serial ch.7 clock I/O pin_1
	LCDD13		LCD bus interface data I/O pin
4	P0_02	P	GPIO port
	I2S1_SCK_0		I2S ch.1 serial clock pin_0
	MAD10		External bus interface address output pin
	LCD0_SEG9		LCD controller segment output pin
	EINT1_2		External interrupt ch.1 input pin_2
	BT1_TIOA3_1		Base timer1 ch.3 TIOA output pin_1
	MFS7_SIN_1		Multi-function serial ch.7 serial data input pin_1
	LCDD14		LCD bus interface data I/O pin
5	P0_03	P	GPIO port
	I2S0_ECLK_0		I2S ch.0 external clock input pin_0
	MAD11		External bus interface address output pin
	LCD0_SEG8		LCD controller segment output pin
	EINT5_2		External interrupt ch.5 input pin_2
	PCMP0_BL_1		PCM_PWM ch.0 BL output pin_1
	BT2_TIOA4_1		Base timer2 ch.4 TIOA output pin_1
	MFS1_SOT_1		Multi-function serial ch.1 serial data output pin_1
	LCDD15		LCD bus interface data I/O pin

TEQFP176			
Pin No.	Pin Name	I/O Circuit Type	Function Description
6	P0_04	P	GPIO port
	I2S0_SD_0		I2S ch.0 serial data I/O pin_0
	MAD12		External bus interface address output pin
	LCD0_SEG7		LCD controller segment output pin
	EINT6_2		External interrupt ch.6 input pin_2
	PCMP0_BH_1		PCM_PWM ch.0 BH output pin_1
	BT2_TIOA5_1		Base timer2 ch.5 TIOA output pin_1
	MFS1_SCK_1		Multi-function serial ch.1 clock I/O pin_1
	LCDD16		LCD bus interface data I/O pin
7	P0_05	P	GPIO port
	I2S0_WS_0		I2S ch.0 word select pin_0
	MAD13		External bus interface address output pin
	LCD0_SEG6		LCD controller segment output pin
	EINT7_2		External interrupt ch.7 input pin_2
	PCMP0_AL_1		PCM_PWM ch.0 AL output pin_1
	BT3_TIOA6_1		Base timer3 ch.6 TIOA output pin_1
	MFS1_SIN_1		Multi-function serial ch.1 serial data input pin_1
	LCDD17		LCD bus interface data I/O pin
8	P0_06	P	GPIO port
	I2S0_SCK_0		I2S ch.0 serial clock pin_0
	MAD14		External bus interface address output pin
	LCD0_SEG5		LCD controller segment output pin
	EINT8_2		External interrupt ch.8 input pin_2
	PCMP0_AH_1		PCM_PWM ch.0 AH output pin_1
	BT3_TIOA7_1		Base timer3 ch.7 TIOA output pin_1
	MFS1_CS0_1		Multi-function serial ch.1 serial chip select 0 I/O pin_1
	CS#		LCD bus interface chip select output pin
9	P3_00	A	GPIO port
	MAD15		External bus interface address output pin
	EINT1_1		External interrupt ch.1 input pin_1
	BT4_TIOA8_1		Base timer4 ch.8 TIOA output pin_1
	MFS1_CS1_1		Multi-function serial ch.1 serial chip select 1 output pin_1
10	P3_01	A	GPIO port
	MAD16		External bus interface address output pin
	EINT9_2		External interrupt ch.9 input pin_2
	BT4_TIOA9_1		Base timer4 ch.9 TIOA output pin_1
	MFS1_CS2_1		Multi-function serial ch.1 serial chip select 2 output pin_1
11	P3_02	A	GPIO port
	MAD17		External bus interface address output pin
	EINT10_2		External interrupt ch.10 input pin_2
	BT5_TIOA10_1		Base timer5 ch.10 TIOA output pin_1
	MFS1_CS3_1		Multi-function serial ch.1 serial chip select 3 output pin_1
12	VCC53_1	-	+3.3 V/ +5.0 V selection power supply pin (1)
13	VSS	-	GND

TEQFP176			
Pin No.	Pin Name	I/O Circuit Type	Function Description
14	P3_03	A	GPIO port
	MAD18		External bus interface address output pin
	EINT11_2		External interrupt ch.11 input pin_2
	BT5_TIOA11_1		Base timer5 ch.11 TIOA output pin_1
15	P3_04	A	GPIO port
	MAD19		External bus interface address output pin
	EINT12_2		External interrupt ch.12 input pin_2
	BT10_TIOA20_1		Base timer10 ch.20 TIOA output pin_1
16	P3_05	A	GPIO port
	MAD20		External bus interface address output pin
	EINT15_2		External interrupt ch.15 input pin_2
17	P3_06	A	GPIO port
	MAD21		External bus interface address output pin
	EINT16_2		External interrupt ch.16 input pin_2
18	P3_07	A	GPIO port
	MDQM1		External bus interface byte mask signal output pin
	EINT17_2		External interrupt ch.17 input pin_2
	MFS4_CS3_1		Multi-function serial ch.4 serial chip select 3 output pin_1
19	P0_07	P	GPIO port
	MOEX		External bus interface read enable signal output pin
	LCD0_SEG4		LCD controller segment output pin
	EINT18_2		External interrupt ch.18 input pin_2
	MFS4_SOT_1		Multi-function serial ch.4 serial data output pin_1
	WR#		LCD bus interface write enable output pin
20	P0_08	P	GPIO port
	MWEX		External bus interface write enable signal output pin
	LCD0_SEG3		LCD controller segment output pin
	EINT19_2		External interrupt ch.19 input pin_2
	MFS4_SCK_1		Multi-function serial ch.4 clock I/O pin_1
	RD#		LCD bus interface read enable output pin
21	P0_09	P	GPIO port
	MCLK		External bus interface clock output pin
	LCD0_SEG2		LCD controller segment output pin
	EINT20_2		External interrupt ch.20 input pin_2
	PCMP1_BL_1		PCM_PWM ch.1 BL output pin_1
	MFS4_SIN_1		Multi-function serial ch.4 serial data input pin_1
22	P0_10	P	GPIO port
	MDQM0		External bus interface byte mask signal output pin
	LCD0_SEG1		LCD controller segment output pin
	EINT21_2		External interrupt ch.21 input pin_2
	PCMP1_BH_1		PCM_PWM ch.1 BH output pin_1
	MFS4_CS0_1		Multi-function serial ch.4 serial chip select 0 I/O pin_1
	RS		LCD bus interface register select output pin

TEQFP176			
Pin No.	Pin Name	I/O Circuit Type	Function Description
23	P0_11	P	GPIO port
	MCSX2		External bus interface chip select output pin
	LCD0_SEG0		LCD controller segment output pin
	EINT22_2		External interrupt ch.22 input pin_2
	PCMP1_AL_1		PCM_PWM ch.1 AL output pin_1
	MFS4_CS1_1		Multi-function serial ch.4 serial chip select 1 output pin_1
	RES#		LCD bus interface reset control output pin
24	P0_12	A	GPIO port
	MCSX3		External bus interface chip select output pin
	EINT23_2		External interrupt ch.23 input pin_2
	PCMP1_AH_1		PCM_PWM ch.1 AH output pin_1
	MFS4_CS2_1		Multi-function serial ch.4 serial chip select 2 output pin_1
	TE		LCD bus interface tearing effect input pin
25	VCC53_1	-	+3.3 V/ +5.0 V selection power supply pin (1)
26	VSS	-	GND
27	P0_13	M	GPIO port
	DDRHSSPI1_SDATA0		DDR HSSPI serial data I/O pin
	EINT1_3		External interrupt ch.1 input pin_3
	MFS2_SOT_0		Multi-function serial ch.2 serial data output pin_0
	MFS9_SOT_2		Multi-function serial ch.9 serial data output pin_2
28	P0_14	M	GPIO port
	DDRHSSPI1_SDATA2		DDR HSSPI serial data I/O pin
	EINT2_3		External interrupt ch.2 input pin_3
	MFS2_SCK_0		Multi-function serial ch.2 clock I/O pin_0
	MFS9_SCK_2		Multi-function serial ch.9 clock I/O pin_2
29	P0_15	M	GPIO port
	DDRHSSPI1_SDATA1		DDR HSSPI serial data I/O pin
	EINT2_0		External interrupt ch.2 input pin_0
	MFS2_SIN_0		Multi-function serial ch.2 serial data input pin_0
	MFS9_SIN_2		Multi-function serial ch.9 serial data input pin_2
30	P0_16	M	GPIO port
	DDRHSSPI1_SSEL		DDR HSSPI select output pin
	EINT3_3		External interrupt ch.3 input pin_3
	MFS2_CS0_0		Multi-function serial ch.2 serial chip select 0 I/O pin_0
	MFS9_CS0_2		Multi-function serial ch.9 serial chip select 0 I/O pin_2
31	P0_17	M	GPIO port
	DDRHSSPI1_SDATA3		DDR HSSPI serial data I/O pin
	EINT4_3		External interrupt ch.4 input pin_3
	MFS2_CS1_0		Multi-function serial ch.2 serial chip select 1 output pin_0
	MFS9_CS1_2		Multi-function serial ch.9 serial chip select 1 output pin_2
32	VCC53_2	-	+3.3 V/+5.0 V selection power supply pin (2)
33	VSS	-	GND

TEQFP176			
Pin No.	Pin Name	I/O Circuit Type	Function Description
34	P0_18	M	GPIO port
	DDRHSSPI0_SCLK		DDR HSSPI serial clock output pin
	EINT5_3		External interrupt ch.5 input pin_3
	MFS2_CS2_0		Multi-function serial ch.2 serial chip select 2 output pin_0
35	VSS	-	GND
36	P0_19	M	GPIO port
	DDRHSSPI0_SDATA0		DDR HSSPI serial data I/O pin
	EINT6_3		External interrupt ch.6 input pin_3
	MFS2_CS3_0		Multi-function serial ch.2 serial chip select 3 output pin_0
	MFS8_SOT_2		Multi-function serial ch.8 serial data output pin_2
37	P0_20	M	GPIO port
	DDRHSSPI0_SDATA2		DDR HSSPI serial data I/O pin
	EINT7_3		External interrupt ch.7 input pin_3
	MFS3_SOT_0		Multi-function serial ch.3 serial data output pin_0
	MFS8_SCK_2		Multi-function serial ch.8 clock I/O pin_2
38	P0_21	M	GPIO port
	DDRHSSPI0_SDATA1		DDR HSSPI serial data I/O pin
	EINT8_3		External interrupt ch.8 input pin_3
	MFS3_SCK_0		Multi-function serial ch.3 clock I/O pin_0
	MFS8_SIN_2		Multi-function serial ch.8 serial data input pin_2
39	P0_22	M	GPIO port
	DDRHSSPI0_SSEL		DDR HSSPI select output pin
	ADC0_AN0		ADC ch.0 analog input pin
	EINT3_0		External interrupt ch.3 input pin_0
	MFS3_SIN_0		Multi-function serial ch.3 serial data input pin_0
	MFS8_CS0_2		Multi-function serial ch.8 serial chip select 0 I/O pin_2
40	P0_23	M	GPIO port
	DDRHSSPI0_SDATA3		DDR HSSPI serial data I/O pin
	ADC0_AN1		ADC ch.1 analog input pin
	EINT9_3		External interrupt ch.9 input pin_3
	MFS3_CS0_0		Multi-function serial ch.3 serial chip select 0 I/O pin_0
41	VCC53_2	-	+3.3 V/ +5.0 V selection power supply pin (2)
42	VSS	-	GND
43	P0_24	M	GPIO port
	ADC0_AN2		ADC ch.2 analog input pin
	EINT10_3		External interrupt ch.10 input pin_3
	MFS3_CS1_0		Multi-function serial ch.3 serial chip select 1 output pin_0
44	VCC53_2	-	+3.3 V/+5.0 V selection power supply pin (2)
45	VSS	-	GND
46	X1	K	Main clock oscillation output pin
47	X0	K	Main clock oscillation input pin
48	MODE	G	Mode pin
49	RSTX	H	External reset input pin
50	JTAG_NTRST	D	JTAG test reset input pin

TEQFP176			
Pin No.	Pin Name	I/O Circuit Type	Function Description
51	JTAG_TDO	F	JTAG test data output pin
52	JTAG_TDI	E	JTAG test data input pin
53	JTAG_TCK	E	JTAG test clock input pin
54	JTAG_TMS	E	JTAG test mode state input pin
55	C	-	External capacity connection output pin
56	VSS	-	GND
57	VCC5	-	+5.0 V power supply pin
58	P3_08	A	GPIO port
	EINT18_1		External interrupt ch.18 input pin_1
	SG0_SGA_1		Sound generator ch.0 SGA output pin_1
	BT6_TIOA12_1		Base timer6 ch.12 TIOA output pin_1
	OCU0_OUT0_1		Output compare0 ch.0 output pin_1
	ICU0_IN0_1		Input capture0 ch.0 input pin_1
	RLT0_TIN_1		Reload timer ch.0 event input pin_1
	MFS8_SOT_1		Multi-function serial ch.8 serial data output pin_1
	TRACE0_1		Trace data 0 output pin_1
59	P3_09	A	GPIO port
	EINT6_1		External interrupt ch.6 input pin_1
	SG0_SGO_1		Sound generator ch.0 SGO output pin_1
	BT6_TIOA13_1		Base timer6 ch.13 TIOA output pin_1
	OCU0_OUT1_1		Output compare0 ch.1 output pin_1
	ICU0_IN1_1		Input capture0 ch.1 input pin_1
	RLT0_TOT_1		Reload timer ch.0 output pin_1
	CAN0_RX_1		CAN ch.0 reception data input pin_1
	MFS8_SCK_1		Multi-function serial ch.8 clock I/O pin_1
	TRACE1_1		Trace data 1 output pin_1
60	P3_10	A	GPIO port
	EINT17_3		External interrupt ch.17 input pin_3
	SG1_SGA_1		Sound generator ch.1 SGA output pin_1
	BT7_TIOA14_1		Base timer7 ch.14 TIOA output pin_1
	OCU1_OUT0_1		Output compare1 ch.0 output pin_1
	ICU1_IN0_1		Input capture1 ch.0 input pin_1
	RLT1_TIN_1		Reload timer ch.1 event input pin_1
	CAN0_TX_1		CAN ch.0 transmission data output pin_1
	MFS8_SIN_1		Multi-function serial ch.8 serial data input pin_1
	TRACE2_1		Trace data 2 output pin_1

TEQFP176			
Pin No.	Pin Name	I/O Circuit Type	Function Description
61	P3_11	A	GPIO port
	ADC0_AN3		ADC ch.3 analog input pin
	EINT8_1		External interrupt ch.8 input pin_1
	SG1_SGO_1		Sound generator ch.1 SGO output pin_1
	BT7_TIOA15_1		Base timer7 ch.15 TIOA output pin_1
	OCU1_OUT1_1		Output compare1 ch.1 output pin_1
	ICU1_IN1_1		Input capture1 ch.1 input pin_1
	RLT1_TOT_1		Reload timer ch.1 output pin_1
	CAN1_RX_1		CAN ch.1 reception data input pin_1
	MFS10_SOT_1		Multi-function serial ch.10 serial data output pin_1
	TRACE3_1		Trace data 3 output pin_1
62	P3_12	A	GPIO port
	ADC0_AN4		ADC ch.4 analog input pin
	EINT21_1		External interrupt ch.21 input pin_1
	SG2_SGA_1		Sound generator ch.2 SGA output pin_1
	BT8_TIOA16_1		Base timer8 ch.16 TIOA output pin_1
	OCU2_OUT0_1		Output compare2 ch.0 output pin_1
	ICU2_IN0_1		Input capture2 ch.0 input pin_1
	RLT16_TIN_1		Reload timer ch.16 event input pin_1
	CAN1_TX_1		CAN ch.1 transmission data output pin_1
	MFS10_SCK_1		Multi-function serial ch.10 clock I/O pin_1
	TRACE_CLK_1		Trace clock output pin_1
63	P3_13	A	GPIO port
	ADC0_AN5		ADC ch.5 analog input pin
	EINT18_3		External interrupt ch.18 input pin_3
	SG2_SGO_1		Sound generator ch.2 SGO output pin_1
	BT8_TIOA17_1		Base timer8 ch.17 TIOA output pin_1
	OCU2_OUT1_1		Output compare2 ch.1 output pin_1
	ICU2_IN1_1		Input capture2 ch.1 input pin_0
	RLT16_TOT_1		Reload timer ch.16 output pin_1
	MFS10_SIN_1		Multi-function serial ch.10 serial data input pin_1
	TRACE_CTL_1		Trace control output pin_1

TEQFP176			
Pin No.	Pin Name	I/O Circuit Type	Function Description
64	P0_25	A	GPIO port
	ADC0_AN6		ADC ch.6 analog input pin
	EINT4_0		External interrupt ch.4 input pin_0
	PCMP0_BL_0		PCM_PWM ch.0 BL output pin_0
	BT0_TIOA0_0		Base timer0 ch.0 TIOA output pin_0
	OCU0_OUT0_0		Output compare0 ch.0 output pin_0
	ICU0_IN0_0		Input capture0 ch.0 input pin_0
	QPRC8_AIN		Quadrature position and revolution counter ch.8 AIN input pin
	RLT0_TIN_0		Reload timer ch.0 event input pin_0
	FRT0/1/2/3_TEXT		Free-run timer ch.0/1/2/3 clock input pin
	CAN0_RX_0		CAN ch.0 reception data input pin_0
	MFS8_SOT_0		Multi-function serial ch.8 serial data output pin_0
	MFS0_SDA		I ² C ch.0 serial data I/O pin
	PWU_AN0		Partial wakeup ADC analog 0 input pin
65	P0_26	A	GPIO port
	ADC0_AN7		ADC ch.7 analog input pin
	EINT5_0		External interrupt ch.5 input pin_0
	PCMP0_BH_0		PCM_PWM ch.0 BH output pin_0
	BT0_TIOA1_0		Base timer0 ch.1 TIOA output pin_0
	OCU0_OUT1_0		Output compare0 ch.1 output pin_0
	ICU0_IN1_0		Input capture0 ch.1 input pin_0
	QPRC8_BIN		Quadrature position and revolution counter ch.8 BIN input pin
	RLT0_TOT_0		Reload timer ch.0 output pin_0
	FRT4/8/9/10_TEXT		Free-run timer ch.4/8/9/10 clock input pin
	CAN0_TX_0		CAN ch.0 transmission data output pin_0
	MFS8_SCK_0		Multi-function serial ch.8 clock I/O pin_0
	MFS0_SCL		I ² C ch.0 clock I/O pin
	PWU_AN1		Partial wakeup ADC analog 1 input pin
66	P0_27	A	GPIO port
	ADC0_AN8		ADC ch.8 analog input pin
	EINT6_0		External interrupt ch.6 input pin_0
	PCMP0_AL_0		PCM_PWM ch.0 AL output pin_0
	SG0_SGA_0		Sound generator ch.0 SGA output pin_0
	BT1_TIOA2_0		Base timer1 ch.2 TIOA output pin_0
	ICU1_IN0_0		Input capture1 ch.0 input pin_0
	QPRC8_ZIN		Quadrature position and revolution counter ch.8 ZIN input pin
	RLT1_TIN_0		Reload timer ch.1 event input pin_0
	CAN1_RX_0		CAN ch.1 reception data input pin_0
	MFS8_SIN_0		Multi-function serial ch.8 serial data input pin_0
	PWU_AN2		Partial wakeup ADC analog 2 input pin

TEQFP176			
Pin No.	Pin Name	I/O Circuit Type	Function Description
67	P0_28	A	GPIO port
	ADC0_AN9		ADC ch.9 analog input pin
	EINT7_0		External interrupt ch.7 input pin_0
	PCMP0_AH_0		PCM_PWM ch.0 AH output pin_0
	SG0_SGO_0		Sound generator ch.0 SGO output pin_0
	BT1_TIOA3_0		Base timer1 ch.3 TIOA output pin_0
	ICU1_IN1_0		Input capture1 ch.1 input pin_0
	QPRC9_AIN		Quadrature position and revolution counter ch.9 AIN input pin
	RLT1_TOT_0		Reload timer ch.1 output pin_0
	CAN1_TX_0		CAN ch.1 transmission data output pin_0
	MFS8_CS0_0		Multi-function serial ch.8 serial chip select 0 I/O pin_0
	PWUTRG_0		Partial wakeup trigger output pin_0
	68		P0_29
ADC0_AN10		ADC ch.10 analog input pin	
EINT12_1		External interrupt ch.12 input pin_1	
BT9_TIOA18_1		Base timer9 ch.18 TIOA output pin_1	
OCU8_OUT0_1		Output compare8 ch.0 output pin_1	
ICU8_IN0_1		Input capture8 ch.0 input pin_1	
RLT17_TIN_1		Reload timer ch.17 event input pin_1	
MFS10_CS0_1		Multi-function serial ch.10 serial chip select 0 I/O pin_1	
69	NMIX	I	Non-maskable interrupt input pin
70	X0A	L	Sub clock oscillation input pin
	P0_30		GPIO port
	EINT8_0		External interrupt ch.8 input pin_0
	BT4_TIOA8_0		Base timer4 ch.8 TIOA output pin_0
	OCU8_OUT0_0		Output compare8 ch.0 output pin_0
	ICU9_IN0_0		Input capture9 ch.0 input pin_0
	RLT17_TIN_0		Reload timer ch.17 event input pin_0
	MFS6_CS0_0		Multi-function serial ch.6 serial chip select 0 I/O pin_0
71	X1A	L	Sub clock oscillation output pin
	P0_31		GPIO port
	EINT9_0		External interrupt ch.9 input pin_0
	BT4_TIOA9_0		Base timer4 ch.9 TIOA output pin_0
	OCU8_OUT1_0		Output compare8 ch.1 output pin_0
	ICU9_IN1_0		Input capture9 ch.1 input pin_0
	RLT17_TOT_0		Reload timer ch.17 output pin_0
	MFS6_CS1_0		Multi-function serial ch.6 serial chip select 1 output pin_0
72	VSS	-	GND
73	VCC5	-	+5.0 V power supply pin

TEQFP176			
Pin No.	Pin Name	I/O Circuit Type	Function Description
74	P1_00	A	GPIO port
	ADC0_AN11		ADC ch.11 analog input pin
	EINT10_0		External interrupt ch.10 input pin_0
	PCMP1_BL_0		PCM_PWM ch.1 BL output pin_0
	SG1_SGA_0		Sound generator ch.1 SGA output pin_0
	BT2_TIOA4_0		Base timer2 ch.4 TIOA output pin_0
	OCU1_OUT0_0		Output compare1 ch.0 output pin_0
	ICU2_IN0_0		Input capture2 ch.0 input pin_0
	QPRC9_BIN		Quadrature position and revolution counter ch.9 BIN input pin
	RLT16_TIN_0		Reload timer ch.16 event input pin_0
	CAN2_RX_0		CAN ch.2 reception data input pin_0
	IND0_OUT_0		Indicator PWM output pin_0
	TRACE0_0		Trace data 0 output pin_0
	75		P1_01
ADC0_AN12		ADC ch.12 analog input pin	
EINT11_0		External interrupt ch.11 input pin_0	
PCMP1_BH_0		PCM_PWM ch.1 BH output pin_0	
SG1_SGO_0		Sound generator ch.1 SGO output pin_0	
BT2_TIOA5_0		Base timer2 ch.5 TIOA output pin_0	
OCU1_OUT1_0		Output compare1 ch.1 output pin_0	
ICU2_IN1_0		Input capture2 ch.1 input pin_0	
QPRC9_ZIN		Quadrature position and revolution counter ch.9 ZIN input pin	
RLT16_TOT_0		Reload timer ch.16 output pin_0	
CAN2_TX_0		CAN ch.2 transmission data output pin_0	
TRACE1_0		Trace data 1 output pin_0	
PWU_AN3		Partial wakeup ADC analog 3 input pin	
76		P1_02	C
	ADC0_AN13	ADC ch.13 analog input pin	
	EINT12_0	External interrupt ch.12 input pin_0	
	PCMP1_AL_0	PCM_PWM ch.1 AL output pin_0	
	SG2_SGA_0	Sound generator ch.2 SGA output pin_0	
	BT3_TIOA6_0	Base timer3 ch.6 TIOA output pin_0	
	OCU2_OUT0_0	Output compare2 ch.0 output pin_0	
	ICU8_IN0_0	Input capture8 ch.0 input pin_0	
	MFS6_SOT_0	Multi-function serial ch.6 serial data output pin_0	
	MFS6_SDA	I ² C ch.6 serial data I/O pin	
	TRACE2_0	Trace data 2 output pin_0	
	PWU_AN4	Partial wakeup ADC analog 4 input pin	

TEQFP176			
Pin No.	Pin Name	I/O Circuit Type	Function Description
77	P1_03	C	GPIO port
	ADC0_AN14		ADC ch.14 analog input pin
	EINT19_3		External interrupt ch.19 input pin_3
	PCMP1_AH_0		PCM_PWM ch.1 AH output pin_0
	SG2_SGO_0		Sound generator ch.2 SGO output pin_0
	BT3_TIOA7_0		Base timer3 ch.7 TIOA output pin_0
	OCU2_OUT1_0		Output compare2 ch.1 output pin_0
	ICU8_IN1_0		Input capture8 ch.1 input pin_0
	MFS6_SCK_0		Multi-function serial ch.6 clock I/O pin_0
	MFS6_SCL		I ² C ch.6 clock I/O pin
	TRACE3_0		Trace data 3 output pin_0
	PWU_AN5		Partial wakeup ADC analog 5 input pin
	78		P1_04
ADC0_AN15		ADC ch.15 analog input pin	
EINT13_0		External interrupt ch.13 input pin_0	
SG3_SGA_0		Sound generator ch.3 SGA output pin_0	
BT9_TIOA19_1		Base timer9 ch.19 TIOA output pin_1	
OCU8_OUT1_1		Output compare8 ch.1 output pin_1	
ICU8_IN1_1		Input capture8 ch.1 input pin_1	
RLT17_TOT_1		Reload timer ch.17 output pin_1	
MFS6_SIN_0		Multi-function serial ch.6 serial data input pin_0	
TRACE_CLK_0		Trace clock output pin_0	
PWU_AN6		Partial wakeup ADC analog 6 input pin	
79	P1_05	C	GPIO port
	ADC0_AN16		ADC ch.16 analog input pin
	EINT14_0		External interrupt ch.14 input pin_0
	SG3_SGO_0		Sound generator ch.3 SGO output pin_0
	BT0_TIOB0/BT1_TIOB2/BT2_TIOB4/BT3_TIOB6/BT4_TIOB8/BT5_TIOB10_1		Base timer0/1/2/3/4/5 ch.0/2/4/6/8/10 TIOB input pin_1
	OCU9_OUT0_1		Output compare9 ch.0 output pin_1
	ICU9_IN0_1		Input capture9 ch.0 input pin_1
	RLT2_TIN_1		Reload timer ch.2 event input pin_1
	CAN3_RX_0		CAN ch.3 reception data input pin_0
	MFS7_SOT_0		Multi-function serial ch.7 serial data output pin_0
	MFS7_SDA		I ² C ch.7 serial data I/O pin
	TRACE_CTL_0		Trace control output pin_0
	PWU_AN7		Partial wakeup ADC analog 7 input pin

TEQFP176			
Pin No.	Pin Name	I/O Circuit Type	Function Description
80	P1_06	C	GPIO port
	ADC0_AN17		ADC ch.17 analog input pin
	EINT14_1		External interrupt ch.14 input pin_1
	SG4_SGA_0		Sound generator ch.4 SGA output pin_0
	BT6_TIOB12/BT7_TIOB14/BT8_TIOB16/BT9_TIOB18/BT10_TIOB20/BT11_TIOB22_1		Base timer6/7/8/9/10/11 ch.12/14/16/18/20/22 TIOB input pin_1
	OCU9_OUT1_1		Output compare9 ch.1 output pin_1
	ICU9_IN1_1		Input capture9 ch.1 input pin_1
	RLT2_TOT_1		Reload timer ch.2 output pin_1
	CAN3_TX_0		CAN ch.3 transmission data output pin_0
	MFS7_SCK_0		Multi-function serial ch.7 clock I/O pin_0
	MFS7_SCL		I ² C ch.7 clock I/O pin
81	P1_07	A	GPIO port
	ADC0_AN18		ADC ch.18 analog input pin
	EINT15_0		External interrupt ch.15 input pin_0
	SG4_SGO_0		Sound generator ch.4 SGO output pin_0
	BT5_TIOA10_0		Base timer5 ch.10 TIOA output pin_0
	OCU9_OUT0_0		Output compare9 ch.0 output pin_0
	ICU10_IN0_0		Input capture10 ch.0 input pin_0
	RLT2_TOT_0		Reload timer ch.2 output pin_0
	MFS7_SIN_0		Multi-function serial ch.7 serial data input pin_0
	SYSC0_CLK_1		System clock output pin_1
82	P3_14	A	GPIO port
	ADC0_AN19		ADC ch.19 analog input pin
	EINT1_4		External interrupt ch.1 input pin_4
	CAN2_RX_1		CAN ch.2 reception data input pin_1
83	P3_15	A	GPIO port
	ADC0_AN20		ADC ch.20 analog input pin
	EINT20_1		External interrupt ch.20 input pin_1
	BT11_TIOA22_1		Base timer11 ch.22 TIOA output pin_1
	OCU10_OUT0_1		Output compare10 ch.0 output pin_1
	ICU10_IN0_1		Input capture10 ch.0 input pin_1
	CAN2_TX_1		CAN ch.2 transmission data output pin_1
84	AVCC5	-	Analog power supply pin
85	AVSS	-	Analog GND pin
86	AVRL5	-	ADC low reference voltage pin
87	AVRH5	-	ADC high reference voltage pin
88	VCC5	-	+5.0 V power supply pin
89	VSS	A	GND
90	P3_16	A	GPIO port
	EINT0_4		External interrupt ch.0 input pin_4
	OCU9_OUT1_0		Output compare9 ch.1 output pin_0
	RLT2_TIN_0		Reload timer ch.2 event input pin_0
	MFS9_SOT_1		Multi-function serial ch.9 serial data output pin_1

TEQFP176			
Pin No.	Pin Name	I/O Circuit Type	Function Description
91	P3_17	A	GPIO port
	EINT17_1		External interrupt ch.17 input pin_1
	BT11_TIOA23_1		Base timer11 ch.23 TIOA output pin_1
	OCU10_OUT1_1		Output compare10 ch.1 output pin_1
	ICU10_IN1_1		Input capture10 ch.1 input pin_1
	CAN3_RX_1		CAN ch.3 reception data input pin_1
	MFS9_SCK_1		Multi-function serial ch.9 clock I/O pin_1
92	P3_18	A	GPIO port
	EINT2_4		External interrupt ch.2 input pin_4
	BT10_TIOA21_1		Base timer10 ch.21 TIOA output pin_1
	RLT3_TIN_1		Reload timer ch.3 event input pin_1
	CAN3_TX_1		CAN ch.3 transmission data output pin_1
	MFS9_SIN_1		Multi-function serial ch.9 serial data input pin_1
93	P3_19	A	GPIO port
	EINT3_4		External interrupt ch.3 input pin_4
	SG3_SGA_1		Sound generator ch.3 SGA output pin_1
	RLT3_TOT_1		Reload timer ch.3 output pin_1
	MFS9_CS0_1		Multi-function serial ch.9 serial chip select 0 I/O pin_1
94	P3_20	A	GPIO port
	EINT19_1		External interrupt ch.19 input pin_1
	SG3_SGO_1		Sound generator ch.3 SGO output pin_1
	MFS9_CS1_1		Multi-function serial ch.9 serial chip select 1 output pin_1
95	P3_21	A	GPIO port
	ADC0_AN21		ADC ch.21 analog input pin
	EINT4_4		External interrupt ch.4 input pin_4
	MFS5_SOT_1		Multi-function serial ch.5 serial data output pin_1
	PWUTRG_1		Partial wakeup trigger output pin_1
96	P1_08	A	GPIO port
	ADC0_TRG0_1		ADC external trigger ch.0 input pin_1
	EINT16_0		External interrupt ch.16 input pin_0
	BT5_TIOA11_0		Base timer5 ch.11 TIOA output pin_0
	OCU10_OUT0_0		Output compare10 ch.0 output pin_0
	ICU10_IN1_0		Input capture10 ch.1 input pin_0
	RLT3_TIN_0		Reload timer ch.3 event input pin_0
	MFS7_CS0_0		Multi-function serial ch.7 serial chip select 0 I/O pin_0
	MFS5_SCK_1		Multi-function serial ch.5 clock I/O pin_1
	IND0_OUT_1		Indicator PWM output pin_1
97	P3_22	A	GPIO port
	ADC0_AN22		ADC ch.22 analog input pin
	EINT5_4		External interrupt ch.5 input pin_4
	SG4_SGA_1		Sound generator ch.4 SGA output pin_1
	MFS5_SIN_1		Multi-function serial ch.5 serial data input pin_1

TEQFP176			
Pin No.	Pin Name	I/O Circuit Type	Function Description
98	P3_23	A	GPIO port
	ADC0_AN23		ADC ch.23 analog input pin
	EINT6_4		External interrupt ch.6 input pin_4
	SG4_SGO_1		Sound generator ch.4 SGO output pin_1
	MFS5_CS0_1		Multi-function serial ch.5 serial chip select 0 I/O pin_1
99	VSS	-	GND
100	VCC5	-	+5.0 V power supply pin
101	P1_09	A	GPIO port
	ADC0_TRG0_0		ADC external trigger ch.0 input pin_0
	EINT9_4		External interrupt ch.9 input pin_4
	BT0_TIOB0/BT1_TIOB2/BT2_TIOB4/BT3_TIOB6/BT4_TIOB8/BT5_TIOB10_0		Base timer0/1/2/3/4/5 ch.0/2/4/6/8/10 TIOB input pin_0
	OCU10_OUT1_0		Output compare10 ch.1 output pin_0
	RLT3_TOT_0		Reload timer ch.3 output pin_0
	MFS7_CS1_0		Multi-function serial ch.7 serial chip select 1 output pin_0
	RTC0_WOT		RTC overflow output pin
	SYSC0_CLK_0		System clock output pin_0
102	DVSS	-	SMC high current port GND pin
103	DVCC	-	SMC high current port power supply pin
104	P1_10	O	GPIO port
	ADC0_AN24		ADC ch.24 analog input pin
	SMC0_PWM1P		Stepper motor controller ch.0 PWM1P output pin
	EINT17_0		External interrupt ch.17 input pin_0
	BT6_TIOA12_0		Base timer6 ch.12 TIOA output pin_0
105	P1_11	O	GPIO port
	ADC0_AN25		ADC ch.25 analog input pin
	SMC0_PWM1M		Stepper motor controller ch.0 PWM1M output pin
	EINT11_4		External interrupt ch.11 input pin_4
	BT6_TIOA13_0		Base timer6 ch.13 TIOA output pin_0
106	P1_12	O	GPIO port
	ADC0_AN26		ADC ch.26 analog input pin
	SMC0_PWM2P		Stepper motor controller ch.0 PWM2P output pin
	EINT18_0		External interrupt ch.18 input pin_0
	BT7_TIOA14_0		Base timer7 ch.14 TIOA output pin_0
	MFS0_SOT_0		Multi-function serial ch.0 serial data output pin_0
	MFS8_SDA		I ² C ch.8 serial data I/O pin
107	P1_13	O	GPIO port
	ADC0_AN27		ADC ch.27 analog input pin
	SMC0_PWM2M		Stepper motor controller ch.0 PWM2M output pin
	EINT12_4		External interrupt ch.12 input pin_4
	BT7_TIOA15_0		Base timer7 ch.15 TIOA output pin_0
	MFS0_SCK_0		Multi-function serial ch.0 clock I/O pin_0
	MFS8_SCL		I ² C ch.8 clock I/O pin

TEQFP176			
Pin No.	Pin Name	I/O Circuit Type	Function Description
108	P1_14	O	GPIO port
	ADC0_AN28		ADC ch.28 analog input pin
	SMC1_PWM1P		Stepper motor controller ch.1 PWM1P output pin
	EINT19_0		External interrupt ch.19 input pin_0
	BT8_TIOA16_0		Base timer8 ch.16 TIOA output pin_0
	MFS0_SIN_0		Multi-function serial ch.0 serial data input pin_0
109	P1_15	O	GPIO port
	ADC0_AN29		ADC ch.29 analog input pin
	SMC1_PWM1M		Stepper motor controller ch.1 PWM1M output pin
	EINT13_4		External interrupt ch.13 input pin_4
	BT8_TIOA17_0		Base timer8 ch.17 TIOA output pin_0
	MFS0_CS0_0		Multi-function serial ch.0 serial chip select 0 I/O pin_0
110	P1_16	O	GPIO port
	ADC0_AN30		ADC ch.30 analog input pin
	SMC1_PWM2P		Stepper motor controller ch.1 PWM2P output pin
	EINT14_4		External interrupt ch.14 input pin_4
	BT9_TIOA18_0		Base timer9 ch.18 TIOA output pin_0
	MFS9_CS0_0		Multi-function serial ch.9 serial chip select 0 I/O pin_0
111	P1_17	O	GPIO port
	ADC0_AN31		ADC ch.31 analog input pin
	SMC1_PWM2M		Stepper motor controller ch.1 PWM2M output pin
	EINT15_4		External interrupt ch.15 input pin_4
	BT9_TIOA19_0		Base timer9 ch.19 TIOA output pin_0
	MFS9_CS1_0		Multi-function serial ch.9 serial chip select 1 output pin_0
112	DVSS	-	SMC high current port GND pin
113	DVCC	-	SMC high current port power supply pin
114	P1_18	O	GPIO port
	ADC0_AN32		ADC ch.32 analog input pin
	SMC2_PWM1P		Stepper motor controller ch.2 PWM1P output pin
	EINT17_4		External interrupt ch.17 input pin_4
	BT10_TIOA20_0		Base timer10 ch.20 TIOA output pin_0
	MFS9_SOT_0		Multi-function serial ch.9 serial data output pin_0
	MFS9_SDA		I ² C ch.9 serial data I/O pin
115	P1_19	O	GPIO port
	ADC0_AN33		ADC ch.33 analog input pin
	SMC2_PWM1M		Stepper motor controller ch.2 PWM1M output pin
	EINT18_4		External interrupt ch.18 input pin_4
	BT10_TIOA21_0		Base timer10 ch.21 TIOA output pin_0
	MFS9_SCK_0		Multi-function serial ch.9 clock I/O pin_0
	MFS9_SCL		I ² C ch.9 clock I/O pin

TEQFP176			
Pin No.	Pin Name	I/O Circuit Type	Function Description
116	P1_20	O	GPIO port
	ADC0_AN34		ADC ch.34 analog input pin
	SMC2_PWM2P		Stepper motor controller ch.2 PWM2P output pin
	EINT20_0		External interrupt ch.20 input pin_0
	BT11_TIOA22_0		Base timer11 ch.22 TIOA output pin_0
	MFS9_SIN_0		Multi-function serial ch.9 serial data input pin_0
117	P1_21	O	GPIO port
	ADC0_AN35		ADC ch.35 analog input pin
	SMC2_PWM2M		Stepper motor controller ch.2 PWM2M output pin
	EINT20_4		External interrupt ch.20 input pin_4
	BT11_TIOA23_0		Base timer11 ch.23 TIOA output pin_0
	MFS10_SOT_0		Multi-function serial ch.10 serial data output pin_0
	MFS10_SDA		I ² C ch.10 serial data I/O pin
118	P1_22	O	GPIO port
	ADC0_AN36		ADC ch.36 analog input pin
	SMC3_PWM1P		Stepper motor controller ch.3 PWM1P output pin
	EINT21_4		External interrupt ch.21 input pin_4
	BT6_TIOB12/BT7_TIOB14/BT8_TIOB16/BT9_TIOB18/BT10_TIOB20/BT11_TIOB22_0		Base timer6/7/8/9/10/11 ch.12/14/16/18/20/22 TIOB input pin_0
	MFS10_SCK_0		Multi-function serial ch.10 clock I/O pin_0
	MFS10_SCL		I ² C ch.10 clock I/O pin
119	P1_23	O	GPIO port
	ADC0_AN37		ADC ch.37 analog input pin
	SMC3_PWM1M		Stepper motor controller ch.3 PWM1M output pin
	EINT21_0		External interrupt ch.21 input pin_0
	BT12_TIOA24_0		Base timer12 ch.24 TIOA output pin_0
	MFS10_SIN_0		Multi-function serial ch.10 serial data input pin_0
120	P1_24	O	GPIO port
	ADC0_AN38		ADC ch.38 analog input pin
	SMC3_PWM2P		Stepper motor controller ch.3 PWM2P output pin
	EINT22_4		External interrupt ch.22 input pin_4
	BT12_TIOA25_0		Base timer12 ch.25 TIOA output pin_0
	MFS10_CS0_0		Multi-function serial ch.10 serial chip select 0 I/O pin_0
121	P1_25	O	GPIO port
	ADC0_AN39		ADC ch.39 analog input pin
	SMC3_PWM2M		Stepper motor controller ch.3 PWM2M output pin
	EINT0_5		External interrupt ch.0 input pin_5
	BT13_TIOA26_0		Base timer13 ch.26 TIOA output pin_0
	MFS11_CS0_0		Multi-function serial ch.11 serial chip select 0 I/O pin_0
122	DVSS	-	SMC high current port GND pin
123	DVCC	-	SMC high current port power supply pin

TEQFP176			
Pin No.	Pin Name	I/O Circuit Type	Function Description
124	P1_26	O	GPIO port
	ADC0_AN40		ADC ch.40 analog input pin
	SMC4_PWM1P		Stepper motor controller ch.4 PWM1P output pin
	EINT2_5		External interrupt ch.2 input pin_5
	BT13_TIOA27_0		Base timer13 ch.27 TIOA output pin_0
	MFS11_CS1_0		Multi-function serial ch.11 serial chip select 1 output pin_0
125	P1_27	O	GPIO port
	ADC0_AN41		ADC ch.41 analog input pin
	SMC4_PWM1M		Stepper motor controller ch.4 PWM1M output pin
	EINT3_5		External interrupt ch.3 input pin_5
	BT14_TIOA28_0		Base timer14 ch.28 TIOA output pin_0
	MFS11_SOT_0		Multi-function serial ch.11 serial data output pin_0
126	P1_28	O	GPIO port
	ADC0_AN42		ADC ch.42 analog input pin
	SMC4_PWM2P		Stepper motor controller ch.4 PWM2P output pin
	EINT4_5		External interrupt ch.4 input pin_5
	BT14_TIOA29_0		Base timer14 ch.29 TIOA output pin_0
	MFS11_SCK_0		Multi-function serial ch.11 clock I/O pin_0
127	P1_29	O	GPIO port
	ADC0_AN43		ADC ch.43 analog input pin
	SMC4_PWM2M		Stepper motor controller ch.4 PWM2M output pin
	EINT22_0		External interrupt ch.22 input pin_0
	BT15_TIOA30_0		Base timer15 ch.30 TIOA output pin_0
	MFS11_SIN_0		Multi-function serial ch.11 serial data input pin_0
128	P1_30	O	GPIO port
	ADC0_AN44		ADC ch.44 analog input pin
	SMC5_PWM1P		Stepper motor controller ch.5 PWM1P output pin
	EINT6_5		External interrupt ch.6 input pin_5
	BT15_TIOA31_0		Base timer15 ch.31 TIOA output pin_0
	MFS5_SOT_0		Multi-function serial ch.5 serial data output pin_0
129	P1_31	O	GPIO port
	ADC0_AN45		ADC ch.45 analog input pin
	SMC5_PWM1M		Stepper motor controller ch.5 PWM1M output pin
	EINT7_5		External interrupt ch.7 input pin_5
	BT12_TIOB24/BT13_TIOB26/BT14_TIOB28/BT15_TIOB30_0		Base timer12/13/14/15 ch.24/26/28/30 TIOB input pin_0
	MFS5_SCK_0		Multi-function serial ch.5 clock I/O pin_0
	MFS5_SCL		I ² C ch.5 clock I/O pin

TEQFP176			
Pin No.	Pin Name	I/O Circuit Type	Function Description
130	P2_00	O	GPIO port
	ADC0_AN46		ADC ch.46 analog input pin
	SMC5_PWM2P		Stepper motor controller ch.5 PWM2P output pin
	EINT23_0		External interrupt ch.23 input pin_0
	MFS5_SIN_0		Multi-function serial ch.5 serial data input pin_0
131	P2_01	O	GPIO port
	ADC0_AN47		ADC ch.47 analog input pin
	SMC5_PWM2M		Stepper motor controller ch.5 PWM2M output pin
	EINT9_5		External interrupt ch.9 input pin_5
	MFS5_CS0_0		Multi-function serial ch.5 serial chip select 0 I/O pin_0
132	DVSS	-	SMC high current port GND pin
133	DVCC	-	SMC high current port power supply pin
134	P3_24	A	GPIO port
135	P3_25	A	GPIO port
136	VSS	-	GND
137	VCC53_1	-	+3.3 V/ +5.0 V selection power supply pin (1)
138	P3_26	A	GPIO port
139	P3_27	A	GPIO port
140	P3_28	A	GPIO port
	MFS2_CS2_1		Multi-function serial ch.2 serial chip select 2 output pin_1
141	P3_29	A	GPIO port
	MFS2_CS3_1		Multi-function serial ch.2 serial chip select 3 output pin_1
142	P2_02	Q	GPIO port
	LCD0_V3		LCD controller reference voltage V3 input pin
	EINT2_1		External interrupt ch.2 input pin_1
143	P2_03	A	GPIO port
	MRDY		External bus interface ready input pin
	LCD0_V2		LCD controller reference voltage V2 input pin
	EINT10_5		External interrupt ch.10 input pin_5
144	P2_04	A	GPIO port
	I2S0_ECLK_1		I2S ch.0 external clock input pin_1
	MDATA8		External bus interface data I/O pin
	LCD0_V1		LCD controller reference voltage V1 input pin
	EINT11_5		External interrupt ch.11 input pin_5
	BT12_TIOA24_1		Base timer12 ch.24 TIOA output pin_1
	MFS2_SOT_1		Multi-function serial ch.2 serial data output pin_1
145	P2_05	A	GPIO port
	I2S0_SD_1		I2S ch.0 serial data I/O pin_1
	MDATA9		External bus interface data I/O pin
	LCD0_V0		LCD controller reference voltage V0 input pin
	EINT12_5		External interrupt ch.12 input pin_5
	BT12_TIOA25_1		Base timer12 ch.25 TIOA output pin_1
	MFS2_SCK_1		Multi-function serial ch.2 clock I/O pin_1

TEQFP176			
Pin No.	Pin Name	I/O Circuit Type	Function Description
146	P2_06	P	GPIO port
	I2S0_WS_1		I2S ch.0 word select pin_1
	MDATA10		External bus interface data I/O pin
	LCD0_COM3		LCD controller common output pin
	EINT13_5		External interrupt ch.13 input pin_5
	BT13_TIOA26_1		Base timer13 ch.26 TIOA output pin_1
	MFS2_SIN_1		Multi-function serial ch.2 serial data input pin_1
147	P2_07	P	GPIO port
	I2S0_SCK_1		I2S ch.0 serial clock pin_1
	MDATA11		External bus interface data I/O pin
	LCD0_COM2		LCD controller common output pin
	EINT14_5		External interrupt ch.14 input pin_5
	BT13_TIOA27_1		Base timer13 ch.27 TIOA output pin_1
	MFS2_CS0_1		Multi-function serial ch.2 serial chip select 0 I/O pin_1
148	P2_08	P	GPIO port
	MCSX0		External bus interface chip select output pin
	LCD0_COM1		LCD controller common output pin
	EINT15_5		External interrupt ch.15 input pin_5
	BT14_TIOA28_1		Base timer14 ch.28 TIOA output pin_1
	MFS2_CS1_1		Multi-function serial ch.2 serial chip select 1 output pin_1
149	VSS	-	GND
150	VCC53_1	-	+3.3 V/ +5.0 V selection power supply pin (1)
151	P2_09	P	GPIO port
	MDATA12		External bus interface data I/O pin
	LCD0_COM0		LCD controller common output pin
	EINT3_1		External interrupt ch.3 input pin_1
	BT14_TIOA29_1		Base timer14 ch.29 TIOA output pin_1
	MFS3_SOT_1		Multi-function serial ch.3 serial data output pin_1
152	P2_10	P	GPIO port
	MDATA13		External bus interface data I/O pin
	LCD0_SEG31		LCD controller segment output pin
	EINT16_5		External interrupt ch.16 input pin_5
	SG0_SGA_2		Sound generator ch.0 SGA output pin_2
	BT15_TIOA30_1		Base timer15 ch.30 TIOA output pin_1
	MFS3_SCK_1		Multi-function serial ch.3 clock I/O pin_1
153	P2_11	P	GPIO port
	MDATA14		External bus interface data I/O pin
	LCD0_SEG30		LCD controller segment output pin
	EINT17_5		External interrupt ch.17 input pin_5
	SG0_SGO_2		Sound generator ch.0 SGO output pin_2
	BT15_TIOA31_1		Base timer15 ch.31 TIOA output pin_1
	MFS3_SIN_1		Multi-function serial ch.3 serial data input pin_1

TEQFP176			
Pin No.	Pin Name	I/O Circuit Type	Function Description
154	P2_12	P	GPIO port
	MDATA15		External bus interface data I/O pin
	LCD0_SEG29		LCD controller segment output pin
	EINT18_5		External interrupt ch.18 input pin_5
	SG1_SGA_2		Sound generator ch.1 SGA output pin_2
	BT12_TIOB24/BT13_TIOB26/BT14_TIOB28/BT15_TIOB30_1		Base timer12/13/14/15 ch.24/26/28/30 TIOB input pin_1
	MFS3_CS0_1		Multi-function serial ch.3 serial chip select 0 I/O pin_1
155	P2_13	P	GPIO port
	MCSX1		External bus interface chip select output pin
	LCD0_SEG28		LCD controller segment output pin
	EINT19_5		External interrupt ch.19 input pin_5
	SG1_SGO_2		Sound generator ch.1 SGO output pin_2
	MFS3_CS1_1		Multi-function serial ch.3 serial chip select 1 output pin_1
156	P2_14	P	GPIO port
	MDATA0		External bus interface data I/O pin
	LCD0_SEG27		LCD controller segment output pin
	EINT20_5		External interrupt ch.20 input pin_5
	MFS3_CS2_1		Multi-function serial ch.3 serial chip select 2 output pin_1
157	P2_15	P	GPIO port
	MDATA1		External bus interface data I/O pin
	LCD0_SEG26		LCD controller segment output pin
	EINT21_5		External interrupt ch.21 input pin_5
	MFS3_CS3_1		Multi-function serial ch.3 serial chip select 3 output pin_1
	LCDD0		LCD bus interface data I/O pin
158	P2_16	P	GPIO port
	MDATA2		External bus interface data I/O pin
	LCD0_SEG25		LCD controller segment output pin
	EINT22_5		External interrupt ch.22 input pin_5
	MFS4_SOT_0		Multi-function serial ch.4 serial data output pin_0
	MFS4_SDA		I ² C ch.4 serial data I/O pin
	LCDD1		LCD bus interface data I/O pin
159	P2_17	P	GPIO port
	MDATA3		External bus interface data I/O pin
	LCD0_SEG24		LCD controller segment output pin
	EINT23_5		External interrupt ch.23 input pin_5
	MFS4_SCK_0		Multi-function serial ch.4 clock I/O pin_0
	MFS4_SCL		I ² C ch.4 clock I/O pin
	LCDD2		LCD bus interface data I/O pin

TEQFP176			
Pin No.	Pin Name	I/O Circuit Type	Function Description
160	P2_18	P	GPIO port
	MDATA4		External bus interface data I/O pin
	LCD0_SEG23		LCD controller segment output pin
	EINT0_0		External interrupt ch.0 input pin_0
	MFS4_SIN_0		Multi-function serial ch.4 serial data input pin_0
	LCDD3		LCD bus interface data I/O pin
161	P2_19	P	GPIO port
	MDATA5		External bus interface data I/O pin
	LCD0_SEG22		LCD controller segment output pin
	EINT0_6		External interrupt ch.0 input pin_6
	MFS4_CS0_0		Multi-function serial ch.4 serial chip select 0 I/O pin_0
162	P2_20	P	GPIO port
	MDATA6		External bus interface data I/O pin
	LCD0_SEG21		LCD controller segment output pin
	EINT1_6		External interrupt ch.1 input pin_6
	MFS4_CS1_0		Multi-function serial ch.4 serial chip select 1 output pin_0
163	P2_21	P	GPIO port
	MDATA7		External bus interface data I/O pin
	LCD0_SEG20		LCD controller segment output pin
	EINT2_6		External interrupt ch.2 input pin_6
	MFS4_CS2_0		Multi-function serial ch.4 serial chip select 2 output pin_0
164	VSS	-	GND
165	VCC53_1	-	+3.3 V/ +5.0 V selection power supply pin (1)
166	P2_22	P	GPIO port
	MAD0		External bus interface address output pin
	LCD0_SEG19		LCD controller segment output pin
	EINT3_6		External interrupt ch.3 input pin_6
	MFS4_CS3_0		Multi-function serial ch.4 serial chip select 3 output pin_0
	LCDD4		LCD bus interface data I/O pin
167	P2_23	P	GPIO port
	MAD1		External bus interface address output pin
	LCD0_SEG18		LCD controller segment output pin
	EINT0_1		External interrupt ch.0 input pin_1
	MFS1_SOT_0		Multi-function serial ch.1 serial data output pin_0
	MFS1_SDA		I ² C ch.1 serial data I/O pin
	LCDD5		LCD bus interface data I/O pin
168	P2_24	P	GPIO port
	MAD2		External bus interface address output pin
	LCD0_SEG17		LCD controller segment output pin
	EINT4_1		External interrupt ch.4 input pin_1
	MFS1_SCK_0		Multi-function serial ch.1 clock I/O pin_0
	MFS1_SCL		I ² C ch.1 clock I/O pin
	LCDD6		LCD bus interface data I/O pin

TEQFP176			
Pin No.	Pin Name	I/O Circuit Type	Function Description
169	P2_25	P	GPIO port
	MAD3		External bus interface address output pin
	LCD0_SEG16		LCD controller segment output pin
	EINT1_0		External interrupt ch.1 input pin_0
	MFS1_SIN_0		Multi-function serial ch.1 serial data input pin_0
	LCDD7		LCD bus interface data I/O pin
170	P2_26	P	GPIO port
	MAD4		External bus interface address output pin
	LCD0_SEG15		LCD controller segment output pin
	EINT5_1		External interrupt ch.5 input pin_1
	MFS1_CS0_0		Multi-function serial ch.1 serial chip select 0 I/O pin_0
	MFS0_CS0_1		Multi-function serial ch.0 serial chip select 0 I/O pin_1
	LCDD8		LCD bus interface data I/O pin
171	P3_30	A	GPIO port
	EINT7_1		External interrupt ch.7 input pin_1
	CAN0_RX_2		CAN ch.0 reception data input pin_2
172	P3_31	A	GPIO port
	EINT9_1		External interrupt ch.9 input pin_1
	CAN0_TX_2		CAN ch.0 transmission data output pin_2
173	P2_27	P	GPIO port
	MAD5		External bus interface address output pin
	LCD0_SEG14		LCD controller segment output pin
	EINT11_1		External interrupt ch.11 input pin_1
	MFS1_CS1_0		Multi-function serial ch.1 serial chip select 1 output pin_0
	MFS0_SOT_1		Multi-function serial ch.0 serial data output pin_1
	LCDD9		LCD bus interface data I/O pin
174	P2_28	P	GPIO port
	MAD6		External bus interface address output pin
	LCD0_SEG13		LCD controller segment output pin
	EINT13_1		External interrupt ch.13 input pin_1
	MFS1_CS2_0		Multi-function serial ch.1 serial chip select 2 output pin_0
	MFS0_SCK_1		Multi-function serial ch.0 clock I/O pin_1
	LCDD10		LCD bus interface data I/O pin
175	P2_29	P	GPIO port
	I2S1_ECLK_0		I2S ch.1 external clock input pin_0
	MAD7		External bus interface address output pin
	LCD0_SEG12		LCD controller segment output pin
	EINT15_1		External interrupt ch.15 input pin_1
	BT0_TIOA0_1		Base timer0 ch.0 TIOA output pin_1
	MFS1_CS3_0		Multi-function serial ch.1 serial chip select 3 output pin_0
	MFS0_SIN_1		Multi-function serial ch.0 serial data input pin_1
	LCDD11		LCD bus interface data I/O pin
176	VSS	-	GND

5.1.2 LQFP144/ TEQFP144

Table 5-1-2: Pin Descriptions of LQFP144/ TEQFP144

LQFP144/ TEQFP144			
Pin No.	Pin Name	I/O Circuit Type	Function Description
1	VCC53_1	-	+3.3 V/ +5.0 V selection power supply pin (1)
2	P0_00	P	GPIO port
	I2S1_SD_0		I2S ch.1 serial data I/O pin_0
	MAD8		External bus interface address output pin
	LCD0_SEG11		LCD controller segment output pin
	EINT23_1		External interrupt ch.23 input pin_1
	BT0_TIOA1_1		Base timer0 ch.1 TIOA output pin_1
	MFS7_SOT_1		Multi-function serial ch.7 serial data output pin_1
	LCDD12		LCD bus interface data I/O pin
3	P0_01	P	GPIO port
	I2S1_WS_0		I2S ch.1 word select pin_0
	MAD9		External bus interface address output pin
	LCD0_SEG10		LCD controller segment output pin
	EINT0_2		External interrupt ch.0 input pin_2
	BT1_TIOA2_1		Base timer1 ch.2 TIOA output pin_1
	MFS7_SCK_1		Multi-function serial ch.7 clock I/O pin_1
	LCDD13		LCD bus interface data I/O pin
4	P0_02	P	GPIO port
	I2S1_SCK_0		I2S ch.1 serial clock pin_0
	MAD10		External bus interface address output pin
	LCD0_SEG9		LCD controller segment output pin
	EINT1_2		External interrupt ch.1 input pin_2
	BT1_TIOA3_1		Base timer1 ch.3 TIOA output pin_1
	MFS7_SIN_1		Multi-function serial ch.7 serial data input pin_1
	LCDD14		LCD bus interface data I/O pin
5	P0_03	P	GPIO port
	I2S0_ECLK_0		I2S ch.0 external clock input pin_0
	MAD11		External bus interface address output pin
	LCD0_SEG8		LCD controller segment output pin
	EINT5_2		External interrupt ch.5 input pin_2
	PCMP0_BL_1		PCM_PWM ch.0 BL output pin_1
	BT2_TIOA4_1		Base timer2 ch.4 TIOA output pin_1
	MFS1_SOT_1		Multi-function serial ch.1 serial data output pin_1
LCDD15	LCD bus interface data I/O pin		
6	P0_04	P	GPIO port
	I2S0_SD_0		I2S ch.0 serial data I/O pin_0
	MAD12		External bus interface address output pin
	LCD0_SEG7		LCD controller segment output pin
	EINT6_2		External interrupt ch.6 input pin_2
	PCMP0_BH_1		PCM_PWM ch.0 BH output pin_1
	BT2_TIOA5_1		Base timer2 ch.5 TIOA output pin_1
	MFS1_SCK_1		Multi-function serial ch.1 clock I/O pin_1
LCDD16	LCD bus interface data I/O pin		

LQFP144/ TEQFP144			
Pin No.	Pin Name	I/O Circuit Type	Function Description
7	P0_05	P	GPIO port
	I2S0_WS_0		I2S ch.0 word select pin_0
	MAD13		External bus interface address output pin
	LCD0_SEG6		LCD controller segment output pin
	EINT7_2		External interrupt ch.7 input pin_2
	PCMP0_AL_1		PCM_PWM ch.0 AL output pin_1
	BT3_TIOA6_1		Base timer3 ch.6 TIOA output pin_1
	MFS1_SIN_1		Multi-function serial ch.1 serial data input pin_1
	LCDD17		LCD bus interface data I/O pin
8	P0_06	P	GPIO port
	I2S0_SCK_0		I2S ch.0 serial clock pin_0
	MAD14		External bus interface address output pin
	LCD0_SEG5		LCD controller segment output pin
	EINT8_2		External interrupt ch.8 input pin_2
	PCMP0_AH_1		PCM_PWM ch.0 AH output pin_1
	BT3_TIOA7_1		Base timer3 ch.7 TIOA output pin_1
	MFS1_CS0_1		Multi-function serial ch.1 serial chip select 0 I/O pin_1
	CS#		LCD bus interface chip select output pin
9	VCC53_1	-	+3.3V/ +5.0V selection power supply pin (1)
10	VSS	-	GND
11	P0_07	P	GPIO port
	MOEX		External bus interface read enable signal output pin
	LCD0_SEG4		LCD controller segment output pin
	EINT18_2		External interrupt ch.18 input pin_2
	MFS4_SOT_1		Multi-function serial ch.4 serial data output pin_1
	WR#		LCD bus interface write enable output pin
12	P0_08	P	GPIO port
	MWEX		External bus interface write enable signal output pin
	LCD0_SEG3		LCD controller segment output pin
	EINT19_2		External interrupt ch.19 input pin_2
	MFS4_SCK_1		Multi-function serial ch.4 clock I/O pin_1
	RD#		LCD bus interface read enable output pin
13	P0_09	P	GPIO port
	MCLK		External bus interface clock output pin
	LCD0_SEG2		LCD controller segment output pin
	EINT20_2		External interrupt ch.20 input pin_2
	PCMP1_BL_1		PCM_PWM ch.1 BL output pin_1
	MFS4_SIN_1		Multi-function serial ch.4 serial data input pin_1

LQFP144/ TEQFP144			
Pin No.	Pin Name	I/O Circuit Type	Function Description
14	P0_10	P	GPIO port
	MDQM0		External bus interface byte mask signal output pin
	LCD0_SEG1		LCD controller segment output pin
	EINT21_2		External interrupt ch.21 input pin_2
	PCMP1_BH_1		PCM_PWM ch.1 BH output pin_1
	MFS4_CS0_1		Multi-function serial ch.4 serial chip select 0 I/O pin_1
	RS		LCD bus interface register select output pin
15	P0_11	P	GPIO port
	MCSX2		External bus interface chip select output pin
	LCD0_SEG0		LCD controller segment output pin
	EINT22_2		External interrupt ch.22 input pin_2
	PCMP1_AL_1		PCM_PWM ch.1 AL output pin_1
	MFS4_CS1_1		Multi-function serial ch.4 serial chip select 1 output pin_1
	RES#		LCD bus interface reset control output pin
16	P0_12	A	GPIO port
	MCSX3		External bus interface chip select output pin
	EINT23_2		External interrupt ch.23 input pin_2
	PCMP1_AH_1		PCM_PWM ch.1 AH output pin_1
	MFS4_CS2_1		Multi-function serial ch.4 serial chip select 2 output pin_1
	TE		LCD bus interface tearing effect input pin
17	VCC53_1	-	+3.3V/ +5.0V selection power supply pin (1)
18	VSS	-	GND
19	P0_13	M	GPIO port
	DDRHSSPI1_SDATA0		DDR HSSPI serial data I/O pin
	EINT1_3		External interrupt ch.1 input pin_3
	MFS2_SOT_0		Multi-function serial ch.2 serial data output pin_0
	MFS9_SOT_2		Multi-function serial ch.9 serial data output pin_2
20	P0_14	M	GPIO port
	DDRHSSPI1_SDATA2		DDR HSSPI serial data I/O pin
	EINT2_3		External interrupt ch.2 input pin_3
	MFS2_SCK_0		Multi-function serial ch.2 clock I/O pin_0
	MFS9_SCK_2		Multi-function serial ch.9 clock I/O pin_2
21	P0_15	M	GPIO port
	DDRHSSPI1_SDATA1		DDR HSSPI serial data I/O pin
	EINT2_0		External interrupt ch.2 input pin_0
	MFS2_SIN_0		Multi-function serial ch.2 serial data input pin_0
	MFS9_SIN_2		Multi-function serial ch.9 serial data input pin_2
22	P0_16	M	GPIO port
	DDRHSSPI1_SSEL		DDR HSSPI select output pin
	EINT3_3		External interrupt ch.3 input pin_3
	MFS2_CS0_0		Multi-function serial ch.2 serial chip select 0 I/O pin_0
	MFS9_CS0_2		Multi-function serial ch.9 serial chip select 0 I/O pin_2

LQFP144/ TEQFP144			
Pin No.	Pin Name	I/O Circuit Type	Function Description
23	P0_17	M	GPIO port
	DDRHSSPI1_SDATA3		DDR HSSPI serial data I/O pin
	EINT4_3		External interrupt ch.4 input pin_3
	MFS2_CS1_0		Multi-function serial ch.2 serial chip select 1 output pin_0
	MFS9_CS1_2		Multi-function serial ch.9 serial chip select 1 output pin_2
24	VCC53_2	-	+3.3V/ +5.0V selection power supply pin (2)
25	VSS	-	GND
26	P0_18	M	GPIO port
	DDRHSSPI0_SCLK		DDR HSSPI serial clock output pin
	EINT5_3		External interrupt ch.5 input pin_3
	MFS2_CS2_0		Multi-function serial ch.2 serial chip select 2 output pin_0
27	VSS	-	GND
28	P0_19	M	GPIO port
	DDRHSSPI0_SDATA0		DDR HSSPI serial data I/O pin
	EINT6_3		External interrupt ch.6 input pin_3
	MFS2_CS3_0		Multi-function serial ch.2 serial chip select 3 output pin_0
	MFS8_SOT_2		Multi-function serial ch.8 serial data output pin_2
29	P0_20	M	GPIO port
	DDRHSSPI0_SDATA2		DDR HSSPI serial data I/O pin
	EINT7_3		External interrupt ch.7 input pin_3
	MFS3_SOT_0		Multi-function serial ch.3 serial data output pin_0
	MFS8_SCK_2		Multi-function serial ch.8 clock I/O pin_2
30	P0_21	M	GPIO port
	DDRHSSPI0_SDATA1		DDR HSSPI serial data I/O pin
	EINT8_3		External interrupt ch.8 input pin_3
	MFS3_SCK_0		Multi-function serial ch.3 clock I/O pin_0
	MFS8_SIN_2		Multi-function serial ch.8 serial data input pin_2
31	P0_22	M	GPIO port
	DDRHSSPI0_SSEL		DDR HSSPI select output pin
	ADC0_AN0		ADC ch.0 analog input pin
	EINT3_0		External interrupt ch.3 input pin_0
	MFS3_SIN_0		Multi-function serial ch.3 serial data input pin_0
	MFS8_CS0_2		Multi-function serial ch.8 serial chip select 0 I/O pin_2
32	P0_23	M	GPIO port
	DDRHSSPI0_SDATA3		DDR HSSPI serial data I/O pin
	ADC0_AN1		ADC ch.1 analog input pin
	EINT9_3		External interrupt ch.9 input pin_3
	MFS3_CS0_0		Multi-function serial ch.3 serial chip select 0 I/O pin_0
33	VCC53_2	-	+3.3V/ +5.0V selection power supply pin (2)
34	VSS	-	GND
35	P0_24	M	GPIO port
	ADC0_AN2		ADC ch.2 analog input pin
	EINT10_3		External interrupt ch.10 input pin_3
	MFS3_CS1_0		Multi-function serial ch.3 serial chip select 1 output pin_0

LQFP144/ TEQFP144			
Pin No.	Pin Name	I/O Circuit Type	Function Description
36	VCC53_2	-	+3.3V/ +5.0V selection power supply pin (2)
37	VSS	-	GND
38	X1	K	Main clock oscillation output pin
39	X0	K	Main clock oscillation input pin
40	MODE	G	Mode pin
41	RSTX	H	External reset input pin
42	JTAG_NTRST	D	JTAG test reset input pin
43	JTAG_TDO	F	JTAG test data output pin
44	JTAG_TDI	E	JTAG test data input pin
45	JTAG_TCK	E	JTAG test clock input pin
46	JTAG_TMS	E	JTAG test mode state input pin
47	C	-	External capacity connection output pin
48	VSS	-	GND
49	VCC5	-	+5.0 V power supply pin
50	P0_25	A	GPIO port
	ADC0_AN6		ADC ch.6 analog input pin
	EINT4_0		External interrupt ch.4 input pin_0
	PCMP0_BL_0		PCM_PWM ch.0 BL output pin_0
	BT0_TIOA0_0		Base timer0 ch.0 TIOA output pin_0
	OCU0_OUT0_0		Output compare0 ch.0 output pin_0
	ICU0_IN0_0		Input capture0 ch.0 input pin_0
	QPRC8_AIN		Quadrature position and revolution counter ch.8 AIN input pin
	RLT0_TIN_0		Reload timer ch.0 event input pin_0
	FRT0/1/2/3_TEXT		Free-run timer ch.0/1/2/3 clock input pin
	CAN0_RX_0		CAN ch.0 reception data input pin_0
	MFS8_SOT_0		Multi-function serial ch.8 serial data output pin_0
	MFS0_SDA		I ² C ch.0 serial data I/O pin
	PWU_AN0		Partial wakeup ADC analog 0 input pin
51	P0_26	A	GPIO port
	ADC0_AN7		ADC ch.7 analog input pin
	EINT5_0		External interrupt ch.5 input pin_0
	PCMP0_BH_0		PCM_PWM ch.0 BH output pin_0
	BT0_TIOA1_0		Base timer0 ch.1 TIOA output pin_0
	OCU0_OUT1_0		Output compare0 ch.1 output pin_0
	ICU0_IN1_0		Input capture0 ch.1 input pin_0
	QPRC8_BIN		Quadrature position and revolution counter ch.8 BIN input pin
	RLT0_TOT_0		Reload timer ch.0 output pin_0
	FRT4/8/9/10_TEXT		Free-run timer ch.4/8/9/10 clock input pin
	CAN0_TX_0		CAN ch.0 transmission data output pin_0
	MFS8_SCK_0		Multi-function serial ch.8 clock I/O pin_0
	MFS0_SCL		I ² C ch.0 clock I/O pin
	PWU_AN1		Partial wakeup ADC analog 1 input pin

LQFP144/ TEQFP144			
Pin No.	Pin Name	I/O Circuit Type	Function Description
52	P0_27	A	GPIO port
	ADC0_AN8		ADC ch.8 analog input pin
	EINT6_0		External interrupt ch.6 input pin_0
	PCMP0_AL_0		PCM_PWM ch.0 AL output pin_0
	SG0_SGA_0		Sound generator ch.0 SGA output pin_0
	BT1_TIOA2_0		Base timer1 ch.2 TIOA output pin_0
	ICU1_IN0_0		Input capture1 ch.0 input pin_0
	QPRC8_ZIN		Quadrature position and revolution counter ch.8 ZIN input pin
	RLT1_TIN_0		Reload timer ch.1 event input pin_0
	CAN1_RX_0		CAN ch.1 reception data input pin_0
	MFS8_SIN_0		Multi-function serial ch.8 serial data input pin_0
	PWU_AN2		Partial wakeup ADC analog 2 input pin
53	P0_28	A	GPIO port
	ADC0_AN9		ADC ch.9 analog input pin
	EINT7_0		External interrupt ch.7 input pin_0
	PCMP0_AH_0		PCM_PWM ch.0 AH output pin_0
	SG0_SGO_0		Sound generator ch.0 SGO output pin_0
	BT1_TIOA3_0		Base timer1 ch.3 TIOA output pin_0
	ICU1_IN1_0		Input capture1 ch.1 input pin_0
	QPRC9_AIN		Quadrature position and revolution counter ch.9 AIN input pin
	RLT1_TOT_0		Reload timer ch.1 output pin_0
	CAN1_TX_0		CAN ch.1 transmission data output pin_0
	MFS8_CS0_0		Multi-function serial ch.8 serial chip select 0 I/O pin_0
	PWUTRG_0		Partial wakeup trigger output pin_0
54	P0_29	A	GPIO port
	ADC0_AN10		ADC ch.10 analog input pin
	EINT12_1		External interrupt ch.12 input pin_1
	BT9_TIOA18_1		Base timer9 ch.18 TIOA output pin_1
	OCU8_OUT0_1		Output compare8 ch.0 output pin_1
	ICU8_IN0_1		Input capture8 ch.0 input pin_1
	RLT17_TIN_1		Reload timer ch.17 event input pin_1
55	NMIX	I	Non-maskable interrupt input pin
56	X0A	L	Sub clock oscillation input pin
	P0_30		GPIO port
	EINT8_0		External interrupt ch.8 input pin_0
	BT4_TIOA8_0		Base timer4 ch.8 TIOA output pin_0
	OCU8_OUT0_0		Output compare8 ch.0 output pin_0
	ICU9_IN0_0		Input capture9 ch.0 input pin_0
	RLT17_TIN_0		Reload timer ch.17 event input pin_0
	MFS6_CS0_0		Multi-function serial ch.6 serial chip select 0 I/O pin_0

LQFP144/ TEQFP144			
Pin No.	Pin Name	I/O Circuit Type	Function Description
57	X1A	L	Sub clock oscillation output pin
	P0_31		GPIO port
	EINT9_0		External interrupt ch.9 input pin_0
	BT4_TIOA9_0		Base timer4 ch.9 TIOA output pin_0
	OCU8_OUT1_0		Output compare8 ch.1 output pin_0
	ICU9_IN1_0		Input capture9 ch.1 input pin_0
	RLT17_TOT_0		Reload timer ch.17 output pin_0
	MFS6_CS1_0		Multi-function serial ch.6 serial chip select 1 output pin_0
58	VSS	-	GND
59	VCC5	-	+5.0 V power supply pin
60	P1_00	A	GPIO port
	ADC0_AN11		ADC ch.11 analog input pin
	EINT10_0		External interrupt ch.10 input pin_0
	PCMP1_BL_0		PCM_PWM ch.1 BL output pin_0
	SG1_SGA_0		Sound generator ch.1 SGA output pin_0
	BT2_TIOA4_0		Base timer2 ch.4 TIOA output pin_0
	OCU1_OUT0_0		Output compare1 ch.0 output pin_0
	ICU2_IN0_0		Input capture2 ch.0 input pin_0
	QPRC9_BIN		Quadrature position and revolution counter ch.9 BIN input pin
	RLT16_TIN_0		Reload timer ch.16 event input pin_0
	CAN2_RX_0		CAN ch.2 reception data input pin_0
	IND0_OUT_0		Indicator PWM output pin_0
	TRACE0_0		Trace data 0 output pin_0
61	P1_01	A	GPIO port
	ADC0_AN12		ADC ch.12 analog input pin
	EINT11_0		External interrupt ch.11 input pin_0
	PCMP1_BH_0		PCM_PWM ch.1 BH output pin_0
	SG1_SGO_0		Sound generator ch.1 SGO output pin_0
	BT2_TIOA5_0		Base timer2 ch.5 TIOA output pin_0
	OCU1_OUT1_0		Output compare1 ch.1 output pin_0
	ICU2_IN1_0		Input capture2 ch.1 input pin_0
	QPRC9_ZIN		Quadrature position and revolution counter ch.9 ZIN input pin
	RLT16_TOT_0		Reload timer ch.16 output pin_0
	CAN2_TX_0		CAN ch.2 transmission data output pin_0
	TRACE1_0		Trace data 1 output pin_0
	PWU_AN3		Partial wakeup ADC analog 3 input pin

LQFP144/ TEQFP144			
Pin No.	Pin Name	I/O Circuit Type	Function Description
62	P1_02	C	GPIO port
	ADC0_AN13		ADC ch.13 analog input pin
	EINT12_0		External interrupt ch.12 input pin_0
	PCMP1_AL_0		PCM_PWM ch.1 AL output pin_0
	SG2_SGA_0		Sound generator ch.2 SGA output pin_0
	BT3_TIOA6_0		Base timer3 ch.6 TIOA output pin_0
	OCU2_OUT0_0		Output compare2 ch.0 output pin_0
	ICU8_IN0_0		Input capture8 ch.0 input pin_0
	MFS6_SOT_0		Multi-function serial ch.6 serial data output pin_0
	MFS6_SDA		I ² C ch.6 serial data I/O pin
	TRACE2_0		Trace data 2 output pin_0
	PWU_AN4		Partial wakeup ADC analog 4 input pin
63	P1_03	C	GPIO port
	ADC0_AN14		ADC ch.14 analog input pin
	EINT19_3		External interrupt ch.19 input pin_3
	PCMP1_AH_0		PCM_PWM ch.1 AH output pin_0
	SG2_SGO_0		Sound generator ch.2 SGO output pin_0
	BT3_TIOA7_0		Base timer3 ch.7 TIOA output pin_0
	OCU2_OUT1_0		Output compare2 ch.1 output pin_0
	ICU8_IN1_0		Input capture8 ch.1 input pin_0
	MFS6_SCK_0		Multi-function serial ch.6 clock I/O pin_0
	MFS6_SCL		I ² C ch.6 clock I/O pin
	TRACE3_0		Trace data 3 output pin_0
	PWU_AN5		Partial wakeup ADC analog 5 input pin
64	P1_04	A	GPIO port
	ADC0_AN15		ADC ch.15 analog input pin
	EINT13_0		External interrupt ch.13 input pin_0
	SG3_SGA_0		Sound generator ch.3 SGA output pin_0
	BT9_TIOA19_1		Base timer9 ch.19 TIOA output pin_1
	OCU8_OUT1_1		Output compare8 ch.1 output pin_1
	ICU8_IN1_1		Input capture8 ch.1 input pin_1
	RLT17_TOT_1		Reload timer ch.17 output pin_1
	MFS6_SIN_0		Multi-function serial ch.6 serial data input pin_0
	TRACE_CLK_0		Trace clock output pin_0
	PWU_AN6		Partial wakeup ADC analog 6 input pin

LQFP144/ TEQFP144			
Pin No.	Pin Name	I/O Circuit Type	Function Description
65	P1_05	C	GPIO port
	ADC0_AN16		ADC ch.16 analog input pin
	EINT14_0		External interrupt ch.14 input pin_0
	SG3_SGO_0		Sound generator ch.3 SGO output pin_0
	BT0_TIOB0/BT1_TIOB2/BT2_TIOB4/BT3_TIOB6/BT4_TIOB8/BT5_TIOB10_1		Base timer0/1/2/3/4/5 ch.0/2/4/6/8/10 TIOB input pin_1
	OCU9_OUT0_1		Output compare9 ch.0 output pin_1
	ICU9_IN0_1		Input capture9 ch.0 input pin_1
	RLT2_TIN_1		Reload timer ch.2 event input pin_1
	CAN3_RX_0		CAN ch.3 reception data input pin_0
	MFS7_SOT_0		Multi-function serial ch.7 serial data output pin_0
	MFS7_SDA		I ² C ch.7 serial data I/O pin
	TRACE_CTL_0		Trace control output pin_0
	PWU_AN7		Partial wakeup ADC analog 7 input pin
66	P1_06	C	GPIO port
	ADC0_AN17		ADC ch.17 analog input pin
	EINT14_1		External interrupt ch.14 input pin_1
	SG4_SGA_0		Sound generator ch.4 SGA output pin_0
	BT6_TIOB12/BT7_TIOB14/BT8_TIOB16/BT9_TIOB18/BT10_TIOB20/BT11_TIOB22_1		Base timer6/7/8/9/10/11 ch.12/14/16/18/20/22 TIOB input pin_1
	OCU9_OUT1_1		Output compare9 ch.1 output pin_1
	ICU9_IN1_1		Input capture9 ch.1 input pin_1
	RLT2_TOT_1		Reload timer ch.2 output pin_1
	CAN3_TX_0		CAN ch.3 transmission data output pin_0
	MFS7_SCK_0		Multi-function serial ch.7 clock I/O pin_0
	MFS7_SCL		I ² C ch.7 clock I/O pin
67	P1_07	A	GPIO port
	ADC0_AN18		ADC ch.18 analog input pin
	EINT15_0		External interrupt ch.15 input pin_0
	SG4_SGO_0		Sound generator ch.4 SGO output pin_0
	BT5_TIOA10_0		Base timer5 ch.10 TIOA output pin_0
	OCU9_OUT0_0		Output compare9 ch.0 output pin_0
	ICU10_IN0_0		Input capture10 ch.0 input pin_0
	MFS7_SIN_0		Multi-function serial ch.7 serial data input pin_0
	SYSC0_CLK_1		System clock output pin_1
68	AVCC5	-	Analog power supply pin
69	AVSS	-	Analog GND pin
70	AVRL5	-	ADC low reference voltage pin
71	AVRH5	-	ADC high reference voltage pin
72	VCC5	-	+5.0 V power supply pin
73	VSS	A	GND

LQFP144/ TEQFP144			
Pin No.	Pin Name	I/O Circuit Type	Function Description
74	P1_08	A	GPIO port
	ADC0_TRG0_1		ADC external trigger ch.0 input pin_1
	EINT16_0		External interrupt ch.16 input pin_0
	BT5_TIOA11_0		Base timer5 ch.11 TIOA output pin_0
	OCU10_OUT0_0		Output compare10 ch.0 output pin_0
	ICU10_IN1_0		Input capture10 ch.1 input pin_0
	RLT3_TIN_0		Reload timer ch.3 event input pin_0
	MFS7_CS0_0		Multi-function serial ch.7 serial chip select 0 I/O pin_0
	IND0_OUT_1		Indicator PWM output pin_1
75	VSS	-	GND
76	VCC5	-	+5.0 V power supply pin
77	P1_09	A	GPIO port
	ADC0_TRG0_0		ADC external trigger ch.0 input pin_0
	EINT9_4		External interrupt ch.9 input pin_4
	BT0_TIOB0/BT1_TIOB2/BT2_TIOB4/BT3_TIOB6/BT4_TIOB8/BT5_TIOB10_0		Base timer0/1/2/3/4/5 ch.0/2/4/6/8/10 TIOB input pin_0
	OCU10_OUT1_0		Output compare10 ch.1 output pin_0
	RLT3_TOT_0		Reload timer ch.3 output pin_0
	MFS7_CS1_0		Multi-function serial ch.7 serial chip select 1 output pin_0
	RTC0_WOT		RTC overflow output pin
	SYSC0_CLK_0		System clock output pin_0
78	DVSS	-	SMC high current port GND pin
79	DVCC	-	SMC high current port power supply pin
80	P1_10	O	GPIO port
	ADC0_AN24		ADC ch.24 analog input pin
	SMC0_PWM1P		Stepper motor controller ch.0 PWM1P output pin
	EINT17_0		External interrupt ch.17 input pin_0
	BT6_TIOA12_0		Base timer6 ch.12 TIOA output pin_0
81	P1_11	O	GPIO port
	ADC0_AN25		ADC ch.25 analog input pin
	SMC0_PWM1M		Stepper motor controller ch.0 PWM1M output pin
	EINT11_4		External interrupt ch.11 input pin_4
	BT6_TIOA13_0		Base timer6 ch.13 TIOA output pin_0
82	P1_12	O	GPIO port
	ADC0_AN26		ADC ch.26 analog input pin
	SMC0_PWM2P		Stepper motor controller ch.0 PWM2P output pin
	EINT18_0		External interrupt ch.18 input pin_0
	BT7_TIOA14_0		Base timer7 ch.14 TIOA output pin_0
	MFS0_SOT_0		Multi-function serial ch.0 serial data output pin_0
	MFS8_SDA		I ² C ch.8 serial data I/O pin

LQFP144/ TEQFP144			
Pin No.	Pin Name	I/O Circuit Type	Function Description
83	P1_13	O	GPIO port
	ADC0_AN27		ADC ch.27 analog input pin
	SMC0_PWM2M		Stepper motor controller ch.0 PWM2M output pin
	EINT12_4		External interrupt ch.12 input pin_4
	BT7_TIOA15_0		Base timer7 ch.15 TIOA output pin_0
	MFS0_SCK_0		Multi-function serial ch.0 clock I/O pin_0
	MFS8_SCL		I ² C ch.8 clock I/O pin
84	P1_14	O	GPIO port
	ADC0_AN28		ADC ch.28 analog input pin
	SMC1_PWM1P		Stepper motor controller ch.1 PWM1P output pin
	EINT19_0		External interrupt ch.19 input pin_0
	BT8_TIOA16_0		Base timer8 ch.16 TIOA output pin_0
	MFS0_SIN_0		Multi-function serial ch.0 serial data input pin_0
85	P1_15	O	GPIO port
	ADC0_AN29		ADC ch.29 analog input pin
	SMC1_PWM1M		Stepper motor controller ch.1 PWM1M output pin
	EINT13_4		External interrupt ch.13 input pin_4
	BT8_TIOA17_0		Base timer8 ch.17 TIOA output pin_0
	MFS0_CS0_0		Multi-function serial ch.0 serial chip select 0 I/O pin_0
86	P1_16	O	GPIO port
	ADC0_AN30		ADC ch.30 analog input pin
	SMC1_PWM2P		Stepper motor controller ch.1 PWM2P output pin
	EINT14_4		External interrupt ch.14 input pin_4
	BT9_TIOA18_0		Base timer9 ch.18 TIOA output pin_0
	MFS9_CS0_0		Multi-function serial ch.9 serial chip select 0 I/O pin_0
87	P1_17	O	GPIO port
	ADC0_AN31		ADC ch.31 analog input pin
	SMC1_PWM2M		Stepper motor controller ch.1 PWM2M output pin
	EINT15_4		External interrupt ch.15 input pin_4
	BT9_TIOA19_0		Base timer9 ch.19 TIOA output pin_0
	MFS9_CS1_0		Multi-function serial ch.9 serial chip select 1 output pin_0
88	DVSS	-	SMC high current port GND pin
89	DVCC	-	SMC high current port power supply pin
90	P1_18	O	GPIO port
	ADC0_AN32		ADC ch.32 analog input pin
	SMC2_PWM1P		Stepper motor controller ch.2 PWM1P output pin
	EINT17_4		External interrupt ch.17 input pin_4
	BT10_TIOA20_0		Base timer10 ch.20 TIOA output pin_0
	MFS9_SOT_0		Multi-function serial ch.9 serial data output pin_0
	MFS9_SDA		I ² C ch.9 serial data I/O pin

LQFP144/ TEQFP144			
Pin No.	Pin Name	I/O Circuit Type	Function Description
91	P1_19	O	GPIO port
	ADC0_AN33		ADC ch.33 analog input pin
	SMC2_PWM1M		Stepper motor controller ch.2 PWM1M output pin
	EINT18_4		External interrupt ch.18 input pin_4
	BT10_TIOA21_0		Base timer10 ch.21 TIOA output pin_0
	MFS9_SCK_0		Multi-function serial ch.9 clock I/O pin_0
	MFS9_SCL		I ² C ch.9 clock I/O pin
92	P1_20	O	GPIO port
	ADC0_AN34		ADC ch.34 analog input pin
	SMC2_PWM2P		Stepper motor controller ch.2 PWM2P output pin
	EINT20_0		External interrupt ch.20 input pin_0
	BT11_TIOA22_0		Base timer11 ch.22 TIOA output pin_0
	MFS9_SIN_0		Multi-function serial ch.9 serial data input pin_0
93	P1_21	O	GPIO port
	ADC0_AN35		ADC ch.35 analog input pin
	SMC2_PWM2M		Stepper motor controller ch.2 PWM2M output pin
	EINT20_4		External interrupt ch.20 input pin_4
	BT11_TIOA23_0		Base timer11 ch.23 TIOA output pin_0
	MFS10_SOT_0		Multi-function serial ch.10 serial data output pin_0
	MFS10_SDA		I ² C ch.10 serial data I/O pin
94	P1_22	O	GPIO port
	ADC0_AN36		ADC ch.36 analog input pin
	SMC3_PWM1P		Stepper motor controller ch.3 PWM1P output pin
	EINT21_4		External interrupt ch.21 input pin_4
	BT6_TIOB12/BT7_TIOB14/BT8_TIOB16/BT9_TIOB18/BT10_TIOB20/BT11_TIOB22_0		Base timer6/7/8/9/10/11 ch.12/14/16/18/20/22 TIOB input pin_0
	MFS10_SCK_0		Multi-function serial ch.10 clock I/O pin_0
	MFS10_SCL		I ² C ch.10 clock I/O pin
95	P1_23	O	GPIO port
	ADC0_AN37		ADC ch.37 analog input pin
	SMC3_PWM1M		Stepper motor controller ch.3 PWM1M output pin
	EINT21_0		External interrupt ch.21 input pin_0
	BT12_TIOA24_0		Base timer12 ch.24 TIOA output pin_0
	MFS10_SIN_0		Multi-function serial ch.10 serial data input pin_0
96	P1_24	O	GPIO port
	ADC0_AN38		ADC ch.38 analog input pin
	SMC3_PWM2P		Stepper motor controller ch.3 PWM2P output pin
	EINT22_4		External interrupt ch.22 input pin_4
	BT12_TIOA25_0		Base timer12 ch.25 TIOA output pin_0
	MFS10_CS0_0		Multi-function serial ch.10 serial chip select 0 I/O pin_0

LQFP144/ TEQFP144			
Pin No.	Pin Name	I/O Circuit Type	Function Description
97	P1_25	O	GPIO port
	ADC0_AN39		ADC ch.39 analog input pin
	SMC3_PWM2M		Stepper motor controller ch.3 PWM2M output pin
	EINT0_5		External interrupt ch.0 input pin_5
	BT13_TIOA26_0		Base timer13 ch.26 TIOA output pin_0
	MFS11_CS0_0		Multi-function serial ch.11 serial chip select 0 I/O pin_0
98	DVSS	-	SMC high current port GND pin
99	DVCC	-	SMC high current port power supply pin
100	P1_26	O	GPIO port
	ADC0_AN40		ADC ch.40 analog input pin
	SMC4_PWM1P		Stepper motor controller ch.4 PWM1P output pin
	EINT2_5		External interrupt ch.2 input pin_5
	BT13_TIOA27_0		Base timer13 ch.27 TIOA output pin_0
	MFS11_CS1_0		Multi-function serial ch.11 serial chip select 1 output pin_0
101	P1_27	O	GPIO port
	ADC0_AN41		ADC ch.41 analog input pin
	SMC4_PWM1M		Stepper motor controller ch.4 PWM1M output pin
	EINT3_5		External interrupt ch.3 input pin_5
	BT14_TIOA28_0		Base timer14 ch.28 TIOA output pin_0
	MFS11_SOT_0		Multi-function serial ch.11 serial data output pin_0
	MFS11_SDA		I ² C ch.11 serial data I/O pin
102	P1_28	O	GPIO port
	ADC0_AN42		ADC ch.42 analog input pin
	SMC4_PWM2P		Stepper motor controller ch.4 PWM2P output pin
	EINT4_5		External interrupt ch.4 input pin_5
	BT14_TIOA29_0		Base timer14 ch.29 TIOA output pin_0
	MFS11_SCK_0		Multi-function serial ch.11 clock I/O pin_0
	MFS11_SCL		I ² C ch.11 clock I/O pin
103	P1_29	O	GPIO port
	ADC0_AN43		ADC ch.43 analog input pin
	SMC4_PWM2M		Stepper motor controller ch.4 PWM2M output pin
	EINT22_0		External interrupt ch.22 input pin_0
	BT15_TIOA30_0		Base timer15 ch.30 TIOA output pin_0
	MFS11_SIN_0		Multi-function serial ch.11 serial data input pin_0
104	P1_30	O	GPIO port
	ADC0_AN44		ADC ch.44 analog input pin
	SMC5_PWM1P		Stepper motor controller ch.5 PWM1P output pin
	EINT6_5		External interrupt ch.6 input pin_5
	BT15_TIOA31_0		Base timer15 ch.31 TIOA output pin_0
	MFS5_SOT_0		Multi-function serial ch.5 serial data output pin_0
	MFS5_SDA		I ² C ch.5 serial data I/O pin

LQFP144/ TEQFP144			
Pin No.	Pin Name	I/O Circuit Type	Function Description
105	P1_31	O	GPIO port
	ADC0_AN45		ADC ch.45 analog input pin
	SMC5_PWM1M		Stepper motor controller ch.5 PWM1M output pin
	EINT7_5		External interrupt ch.7 input pin_5
	BT12_TIOB24/BT13_TIOB26/BT14_TIOB28/BT15_TIOB30_0		Base timer12/13/14/15 ch.24/26/28/30 TIOB input pin_0
	MFS5_SCK_0		Multi-function serial ch.5 clock I/O pin_0
	MFS5_SCL		I ² C ch.5 clock I/O pin
106	P2_00	O	GPIO port
	ADC0_AN46		ADC ch.46 analog input pin
	SMC5_PWM2P		Stepper motor controller ch.5 PWM2P output pin
	EINT23_0		External interrupt ch.23 input pin_0
	MFS5_SIN_0		Multi-function serial ch.5 serial data input pin_0
107	P2_01	O	GPIO port
	ADC0_AN47		ADC ch.47 analog input pin
	SMC5_PWM2M		Stepper motor controller ch.5 PWM2M output pin
	EINT9_5		External interrupt ch.9 input pin_5
	MFS5_CS0_0		Multi-function serial ch.5 serial chip select 0 I/O pin_0
108	DVSS	-	SMC high current port GND pin
109	DVCC	-	SMC high current port power supply pin
110	VSS	-	GND
111	VCC53_1	-	+3.3 V/ +5.0 V selection power supply pin (1)
112	P2_02	Q	General-purpose input port
	LCD0_V3		LCD controller reference voltage V3 input pin
	EINT2_1		External interrupt ch.2 input pin_1
113	P2_03	A	GPIO port
	MRDY		External bus interface ready input pin
	LCD0_V2		LCD controller reference voltage V2 input pin
	EINT10_5		External interrupt ch.10 input pin_5
114	P2_04	A	GPIO port
	I2S0_ECLK_1		I2S ch.0 external clock input pin_1
	MDATA8		External bus interface data I/O pin
	LCD0_V1		LCD controller reference voltage V1 input pin
	EINT11_5		External interrupt ch.11 input pin_5
	BT12_TIOA24_1		Base timer12 ch.24 TIOA output pin_1
	MFS2_SOT_1		Multi-function serial ch.2 serial data output pin_1
115	P2_05	A	GPIO port
	I2S0_SD_1		I2S ch.0 serial data I/O pin_1
	MDATA9		External bus interface data I/O pin
	LCD0_V0		LCD controller reference voltage V0 input pin
	EINT12_5		External interrupt ch.12 input pin_5
	BT12_TIOA25_1		Base timer12 ch.25 TIOA output pin_1
	MFS2_SCK_1		Multi-function serial ch.2 clock I/O pin_1

LQFP144/ TEQFP144			
Pin No.	Pin Name	I/O Circuit Type	Function Description
116	P2_06	P	GPIO port
	I2S0_WS_1		I2S ch.0 word select pin_1
	MDATA10		External bus interface data I/O pin
	LCD0_COM3		LCD controller common output pin
	EINT13_5		External interrupt ch.13 input pin_5
	BT13_TIOA26_1		Base timer13 ch.26 TIOA output pin_1
	MFS2_SIN_1		Multi-function serial ch.2 serial data input pin_1
117	P2_07	P	GPIO port
	I2S0_SCK_1		I2S ch.0 serial clock pin_1
	MDATA11		External bus interface data I/O pin
	LCD0_COM2		LCD controller common output pin
	EINT14_5		External interrupt ch.14 input pin_5
	BT13_TIOA27_1		Base timer13 ch.27 TIOA output pin_1
	MFS2_CS0_1		Multi-function serial ch.2 serial chip select 0 I/O pin_1
118	P2_08	P	GPIO port
	MCSX0		External bus interface chip select output pin
	LCD0_COM1		LCD controller common output pin
	EINT15_5		External interrupt ch.15 input pin_5
	BT14_TIOA28_1		Base timer14 ch.28 TIOA output pin_1
	MFS2_CS1_1		Multi-function serial ch.2 serial chip select 1 output pin_1
119	VSS	-	GND
120	VCC53_1	-	+3.3 V/ +5.0 V selection power supply pin (1)
121	P2_09	P	GPIO port
	MDATA12		External bus interface data I/O pin
	LCD0_COM0		LCD controller common output pin
	EINT3_1		External interrupt ch.3 input pin_1
	BT14_TIOA29_1		Base timer14 ch.29 TIOA output pin_1
	MFS3_SOT_1		Multi-function serial ch.3 serial data output pin_1
122	P2_10	P	GPIO port
	MDATA13		External bus interface data I/O pin
	LCD0_SEG31		LCD controller segment output pin
	EINT16_5		External interrupt ch.16 input pin_5
	SG0_SGA_2		Sound generator ch.0 SGA output pin_2
	BT15_TIOA30_1		Base timer15 ch.30 TIOA output pin_1
	MFS3_SCK_1		Multi-function serial ch.3 clock I/O pin_1
123	P2_11	P	GPIO port
	MDATA14		External bus interface data I/O pin
	LCD0_SEG30		LCD controller segment output pin
	EINT17_5		External interrupt ch.17 input pin_5
	SG0_SGO_2		Sound generator ch.0 SGO output pin_2
	BT15_TIOA31_1		Base timer15 ch.31 TIOA output pin_1
	MFS3_SIN_1		Multi-function serial ch.3 serial data input pin_1

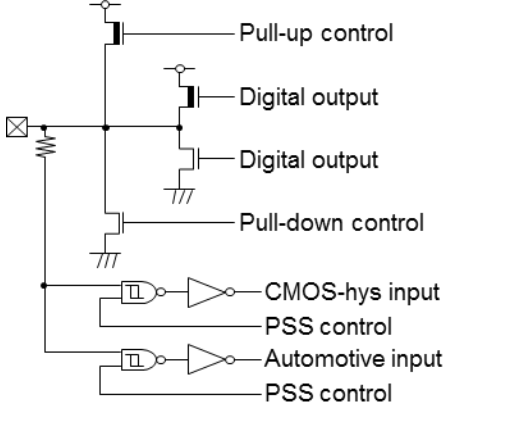
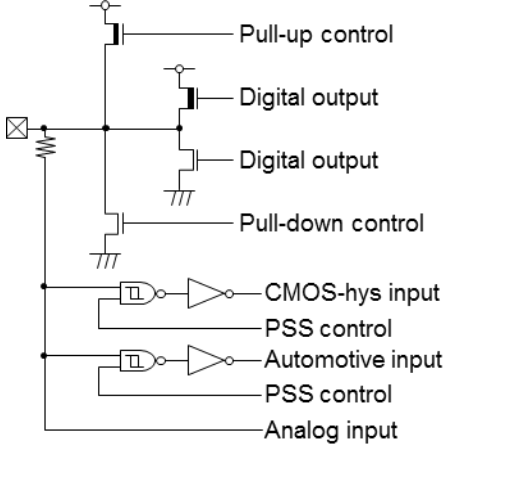
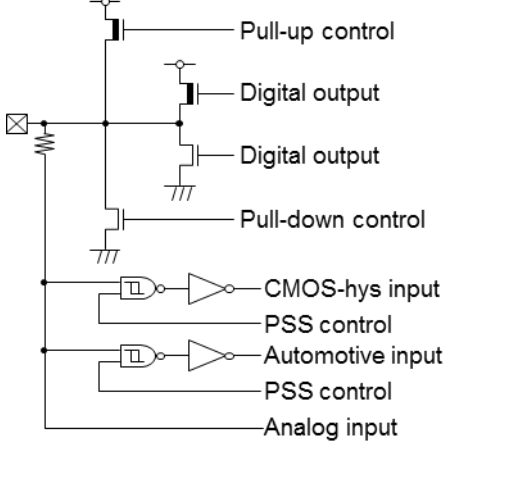
LQFP144/ TEQFP144			
Pin No.	Pin Name	I/O Circuit Type	Function Description
124	P2_12	P	GPIO port
	MDATA15		External bus interface data I/O pin
	LCD0_SEG29		LCD controller segment output pin
	EINT18_5		External interrupt ch.18 input pin_5
	SG1_SGA_2		Sound generator ch.1 SGA output pin_2
	BT12_TIOB24/BT13_TIOB26/BT14_TIOB28/BT15_TIOB30_1		Base timer12/13/14/15 ch.24/26/28/30 TIOB input pin_1
	MFS3_CS0_1		Multi-function serial ch.3 serial chip select 0 I/O pin_1
125	P2_13	P	GPIO port
	MCSX1		External bus interface chip select output pin
	LCD0_SEG28		LCD controller segment output pin
	EINT19_5		External interrupt ch.19 input pin_5
	SG1_SGO_2		Sound generator ch.1 SGO output pin_2
	MFS3_CS1_1		Multi-function serial ch.3 serial chip select 1 output pin_1
126	P2_14	P	GPIO port
	MDATA0		External bus interface data I/O pin
	LCD0_SEG27		LCD controller segment output pin
	EINT20_5		External interrupt ch.20 input pin_5
	MFS3_CS2_1		Multi-function serial ch.3 serial chip select 2 output pin_1
127	P2_15	P	GPIO port
	MDATA1		External bus interface data I/O pin
	LCD0_SEG26		LCD controller segment output pin
	EINT21_5		External interrupt ch.21 input pin_5
	MFS3_CS3_1		Multi-function serial ch.3 serial chip select 3 output pin_1
	LCDD0		LCD bus interface data I/O pin
128	P2_16	P	GPIO port
	MDATA2		External bus interface data I/O pin
	LCD0_SEG25		LCD controller segment output pin
	EINT22_5		External interrupt ch.22 input pin_5
	MFS4_SOT_0		Multi-function serial ch.4 serial data output pin_0
	MFS4_SDA		I ² C ch.4 serial data I/O pin
	LCDD1		LCD bus interface data I/O pin
129	P2_17	P	GPIO port
	MDATA3		External bus interface data I/O pin
	LCD0_SEG24		LCD controller segment output pin
	EINT23_5		External interrupt ch.23 input pin_5
	MFS4_SCK_0		Multi-function serial ch.4 clock I/O pin_0
	MFS4_SCL		I ² C ch.4 clock I/O pin
	LCDD2		LCD bus interface data I/O pin

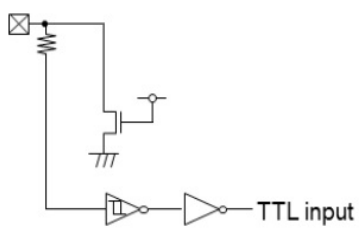
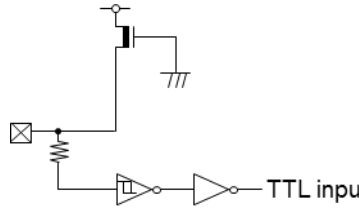
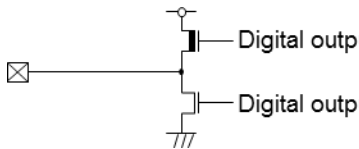
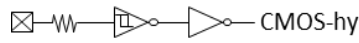
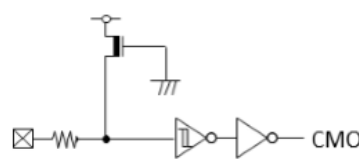
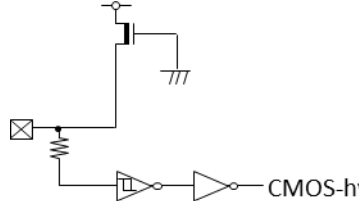
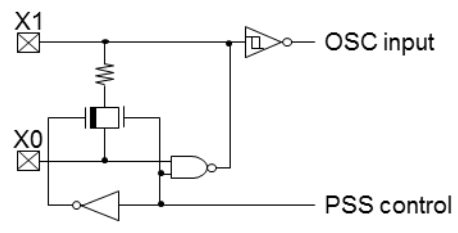
LQFP144/ TEQFP144			
Pin No.	Pin Name	I/O Circuit Type	Function Description
130	P2_18	P	GPIO port
	MDATA4		External bus interface data I/O pin
	LCD0_SEG23		LCD controller segment output pin
	EINT0_0		External interrupt ch.0 input pin_0
	MFS4_SIN_0		Multi-function serial ch.4 serial data input pin_0
	LCDD3		LCD bus interface data I/O pin
131	P2_19	P	GPIO port
	MDATA5		External bus interface data I/O pin
	LCD0_SEG22		LCD controller segment output pin
	EINT0_6		External interrupt ch.0 input pin_6
	MFS4_CS0_0		Multi-function serial ch.4 serial chip select 0 I/O pin_0
132	P2_20	P	GPIO port
	MDATA6		External bus interface data I/O pin
	LCD0_SEG21		LCD controller segment output pin
	EINT1_6		External interrupt ch.1 input pin_6
	MFS4_CS1_0		Multi-function serial ch.4 serial chip select 1 output pin_0
133	P2_21	P	GPIO port
	MDATA7		External bus interface data I/O pin
	LCD0_SEG20		LCD controller segment output pin
	EINT2_6		External interrupt ch.2 input pin_6
	MFS4_CS2_0		Multi-function serial ch.4 serial chip select 2 output pin_0
134	VSS	-	GND
135	VCC53_1	-	+3.3 V/ +5.0 V selection power supply pin (1)
136	P2_22	P	GPIO port
	MAD0		External bus interface address output pin
	LCD0_SEG19		LCD controller segment output pin
	EINT3_6		External interrupt ch.3 input pin_6
	MFS4_CS3_0		Multi-function serial ch.4 serial chip select 3 output pin_0
	LCDD4		LCD bus interface data I/O pin
137	P2_23	P	GPIO port
	MAD1		External bus interface address output pin
	LCD0_SEG18		LCD controller segment output pin
	EINT0_1		External interrupt ch.0 input pin_1
	MFS1_SOT_0		Multi-function serial ch.1 serial data output pin_0
	MFS1_SDA		I ² C ch.1 serial data I/O pin
	LCDD5		LCD bus interface data I/O pin
138	P2_24	P	GPIO port
	MAD2		External bus interface address output pin
	LCD0_SEG17		LCD controller segment output pin
	EINT4_1		External interrupt ch.4 input pin_1
	MFS1_SCK_0		Multi-function serial ch.1 clock I/O pin_0
	MFS1_SCL		I ² C ch.1 clock I/O pin
	LCDD6		LCD bus interface data I/O pin

LQFP144/ TEQFP144			
Pin No.	Pin Name	I/O Circuit Type	Function Description
139	P2_25	P	GPIO port
	MAD3		External bus interface address output pin
	LCD0_SEG16		LCD controller segment output pin
	EINT1_0		External interrupt ch.1 input pin_0
	MFS1_SIN_0		Multi-function serial ch.1 serial data input pin_0
	LCDD7		LCD bus interface data I/O pin
140	P2_26	P	GPIO port
	MAD4		External bus interface address output pin
	LCD0_SEG15		LCD controller segment output pin
	EINT5_1		External interrupt ch.5 input pin_1
	MFS1_CS0_0		Multi-function serial ch.1 serial chip select 0 I/O pin_0
	MFS0_CS0_1		Multi-function serial ch.0 serial chip select 0 I/O pin_1
	LCDD8		LCD bus interface data I/O pin
141	P2_27	P	GPIO port
	MAD5		External bus interface address output pin
	LCD0_SEG14		LCD controller segment output pin
	EINT11_1		External interrupt ch.11 input pin_1
	MFS1_CS1_0		Multi-function serial ch.1 serial chip select 1 output pin_0
	MFS0_SOT_1		Multi-function serial ch.0 serial data output pin_1
	LCDD9		LCD bus interface data I/O pin
142	P2_28	P	GPIO port
	MAD6		External bus interface address output pin
	LCD0_SEG13		LCD controller segment output pin
	EINT13_1		External interrupt ch.13 input pin_1
	MFS1_CS2_0		Multi-function serial ch.1 serial chip select 2 output pin_0
	MFS0_SCK_1		Multi-function serial ch.0 clock I/O pin_1
	LCDD10		LCD bus interface data I/O pin
143	P2_29	P	GPIO port
	I2S1_ECLK_0		I2S ch.1 external clock input pin_0
	MAD7		External bus interface address output pin
	LCD0_SEG12		LCD controller segment output pin
	EINT15_1		External interrupt ch.15 input pin_1
	BT0_TIOA0_1		Base timer0 ch.0 TIOA output pin_1
	MFS1_CS3_0		Multi-function serial ch.1 serial chip select 3 output pin_0
	MFS0_SIN_1		Multi-function serial ch.0 serial data input pin_1
	LCDD11		LCD bus interface data I/O pin
144	VSS	-	GND

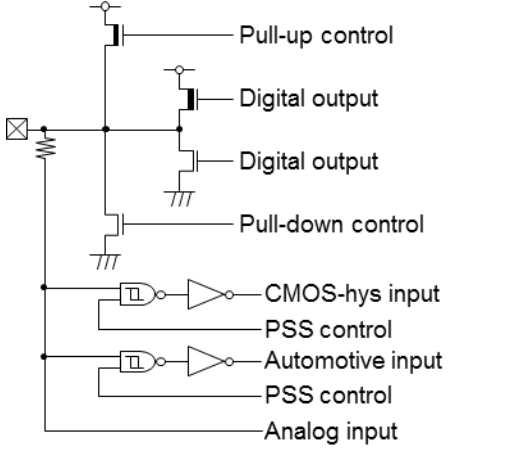
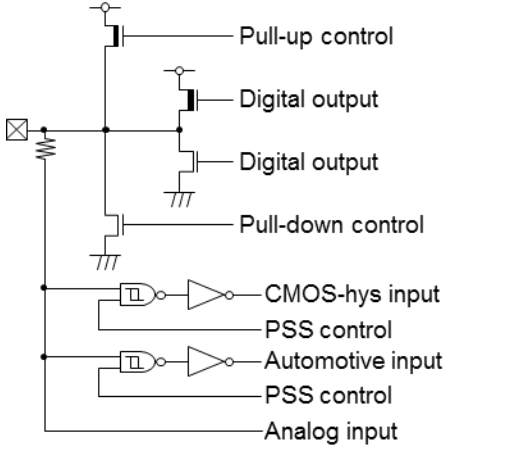
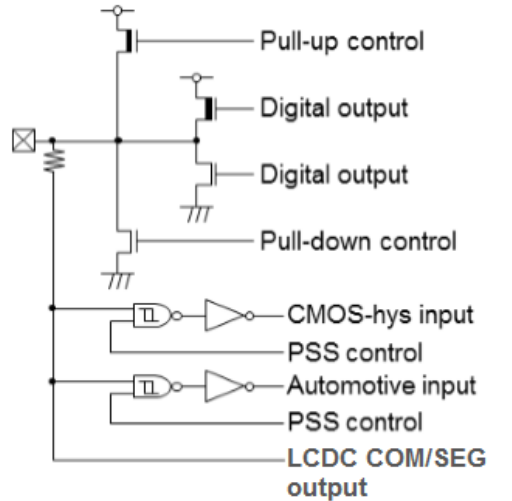
5.2 I/O Circuit Type

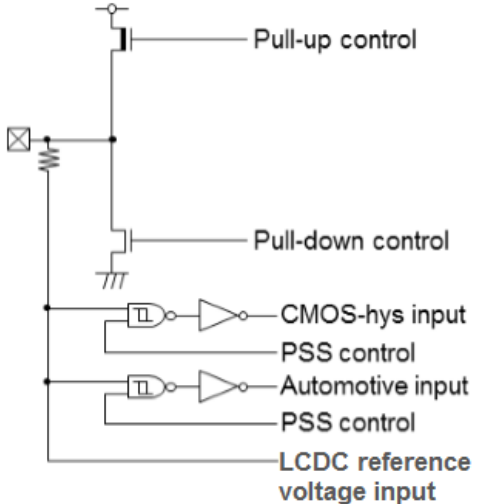
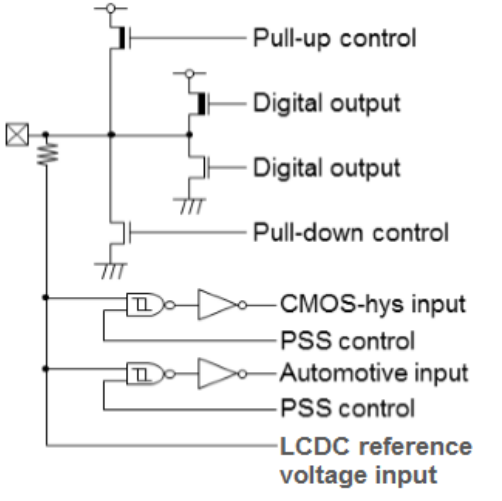
Table 5-2: I/O Circuit Types

Type	Circuit	Remark
A		<ul style="list-style-type: none"> - GPIO port - Output 1 mA, 2 mA, or 5 mA selectable - 50 kΩ with pull-up resistor control - 50 kΩ with pull-down resistor control - CMOS hysteresis or automotive hysteresis input selectable
B		<ul style="list-style-type: none"> - GPIO port with analog input - Output 1 mA, 2 mA, or 5 mA selectable - 50 kΩ with pull-up resistor control - 50 kΩ with pull-down resistor control - CMOS hysteresis or automotive hysteresis input selectable
C		<ul style="list-style-type: none"> - GPIO port with analog input - Output 1 mA, 2 mA, 3 mA(I²C), or 5 mA selectable - 50 kΩ with pull-up resistor control - 50 kΩ with pull-down resistor control - CMOS hysteresis or automotive hysteresis input selectable

Type	Circuit	Remark
D		<ul style="list-style-type: none"> - JTAG_NTRST - 50 kΩ with pull-down resistor - TTL hysteresis input
E		<ul style="list-style-type: none"> - JTAG_TDI/TCK/TMS - 50 kΩ with pull-up resistor - TTL hysteresis input
F		<ul style="list-style-type: none"> - JTAG_TDO - Output 5 mA
G		<ul style="list-style-type: none"> - Mode input - CMOS hysteresis input
H		<ul style="list-style-type: none"> - Reset input - 50 kΩ with pull-up resistor - CMOS hysteresis input
I		<ul style="list-style-type: none"> - NMIX input - 50 kΩ with pull-up resistor - CMOS hysteresis input
K		<ul style="list-style-type: none"> - Main oscillation I/O - Feedback resistor = approx.2.1 MΩ

Type	Circuit	Remark
L	<p> Pull-up control Digital output Digital output Pull-down control CMOS-hys input PSS/OSC control Automotive input PSS/OSC control OSC input PSS/OSC control Pull-up control Digital output Digital output Pull-down control CMOS-hys input PSS/OSC control Automotive input PSS/OSC control </p>	<ul style="list-style-type: none"> - Sub oscillation I/O shared GPIO port - Feedback resistor = approx. 13 MΩ - Output 1 mA, 2 mA, or 5 mA selectable - 50 kΩ with pull-up resistor control - 50 kΩ with pull-down resistor control - CMOS hysteresis or automotive hysteresis input selectable
M	<p> Pull-up control Digital output Digital output Pull-down control CMOS-hys input PSS control Automotive input PSS control </p>	<ul style="list-style-type: none"> - GPIO port - Output 1 mA or 2 mA selectable ($V_{CC53_2} = 4.5\text{ V to }5.5\text{ V}$) - Output 5 mA or 15 mA selectable ($V_{CC53_2} = 3.0\text{ V to }3.6\text{ V}$) - 50 kΩ with pull-up resistor control - 50 kΩ with pull-down resistor control - CMOS hysteresis or automotive hysteresis input selectable

Type	Circuit	Remark
N	 <p> Pull-up control Digital output Digital output Pull-down control CMOS-hys input PSS control Automotive input PSS control Analog input </p>	<ul style="list-style-type: none"> - GPIO port with analog input - Output 1 mA or 2 mA selectable ($V_{CC53_2} = 4.5\text{ V to }5.5\text{ V}$) - Output 5 mA or 15 mA selectable ($V_{CC53_2} = 3.0\text{ V to }3.6\text{ V}$) - 50 k$\Omega$ with pull-up resistor control - 50 kΩ with pull-down resistor control - CMOS hysteresis or automotive hysteresis input selectable
O	 <p> Pull-up control Digital output Digital output Pull-down control CMOS-hys input PSS control Automotive input PSS control Analog input </p>	<ul style="list-style-type: none"> - GPIO port with analog input - Output 1 mA, 2 mA, 5 mA, or 30 mA selectable - 50 kΩ with pull-up resistor control - 50 kΩ with pull-down resistor control - CMOS hysteresis or automotive hysteresis input selectable
P	 <p> Pull-up control Digital output Digital output Pull-down control CMOS-hys input PSS control Automotive input PSS control LCDC COM/SEG output </p>	<ul style="list-style-type: none"> - GPIO port with LCDC COM/SEG output - Output 1 mA, 2 mA or 5 mA selectable - 50 kΩ with pull-up resistor control - 50 kΩ with pull-down resistor control - CMOS hysteresis or automotive hysteresis input selectable

Type	Circuit	Remark
Q		<ul style="list-style-type: none"> - General-purpose input port with LCDC reference voltage input - 50 kΩ with pull-up resistor control - 50 kΩ with pull-down resistor control - CMOS hysteresis or automotive hysteresis input selectable
R		<ul style="list-style-type: none"> - GPIO port with LCDC reference voltage input - Output 1 mA, 2 mA, or 5 mA selectable - 50 kΩ with pull-up resistor control - 50 kΩ with pull-down resistor control - CMOS hysteresis or automotive hysteresis input selectable

5.3 Input Level Setting/ Output Drive Capacity Setting

(1) When Power Supply Pin of Each I/O is Used at 5 V

Table 5-3-1: Input Level Setting/ Output Drive Capacity Setting

Pin No. of LQFP/TEQFP Package		Port Name	Input Level Setting		Output Drive Capacity Setting				Power of Pin (Pin Group)	Remark	
144-Pin	176-Pin										
2	2	P0_00	CMOS-hys	Automotive	1 mA	2 mA	-	5 mA	V _{CC53_1}		
3	3	P0_01	CMOS-hys	Automotive	1 mA	2 mA	-	5 mA			
4	4	P0_02	CMOS-hys	Automotive	1 mA	2 mA	-	5 mA			
5	5	P0_03	CMOS-hys	Automotive	1 mA	2 mA	-	5 mA			
6	6	P0_04	CMOS-hys	Automotive	1 mA	2 mA	-	5 mA			
7	7	P0_05	CMOS-hys	Automotive	1 mA	2 mA	-	5 mA			
8	8	P0_06	CMOS-hys	Automotive	1 mA	2 mA	-	5 mA			
11	19	P0_07	CMOS-hys	Automotive	1 mA	2 mA	-	5 mA			
12	20	P0_08	CMOS-hys	Automotive	1 mA	2 mA	-	5 mA			
13	21	P0_09	CMOS-hys	Automotive	1 mA	2 mA	-	5 mA			
14	22	P0_10	CMOS-hys	Automotive	1 mA	2 mA	-	5 mA			
15	23	P0_11	CMOS-hys	Automotive	1 mA	2 mA	-	5 mA			
16	24	P0_12	CMOS-hys	Automotive	1 mA	2 mA	-	5 mA			
19	27	P0_13	CMOS-hys	Automotive	1 mA	2 mA	-	-		V _{CC53_2}	
20	28	P0_14	CMOS-hys	Automotive	1 mA	2 mA	-	-			
21	29	P0_15	CMOS-hys	Automotive	1 mA	2 mA	-	-			
22	30	P0_16	CMOS-hys	Automotive	1 mA	2 mA	-	-			
23	31	P0_17	CMOS-hys	Automotive	1 mA	2 mA	-	-			
26	34	P0_18	CMOS-hys	Automotive	1 mA	2 mA	-	-			
28	36	P0_19	CMOS-hys	Automotive	1 mA	2 mA	-	-			
29	37	P0_20	CMOS-hys	Automotive	1 mA	2 mA	-	-			
30	38	P0_21	CMOS-hys	Automotive	1 mA	2 mA	-	-			
31	39	P0_22	CMOS-hys	Automotive	1 mA	2 mA	-	-			
32	40	P0_23	CMOS-hys	Automotive	1 mA	2 mA	-	-			
35	43	P0_24	CMOS-hys	Automotive	1 mA	2 mA	-	-			
50	64	P0_25	CMOS-hys	Automotive	1 mA	2 mA	-	5 mA	V _{CC5}		*2
51	65	P0_26	CMOS-hys	Automotive	1 mA	2 mA	-	5 mA			*2
52	66	P0_27	CMOS-hys	Automotive	1 mA	2 mA	-	5 mA			
53	67	P0_28	CMOS-hys	Automotive	1 mA	2 mA	-	5 mA			
54	68	P0_29	CMOS-hys	Automotive	1 mA	2 mA	-	5 mA			
56	70	P0_30	CMOS-hys	Automotive	1 mA	2 mA	-	5 mA			
57	71	P0_31	CMOS-hys	Automotive	1 mA	2 mA	-	5 mA			
60	74	P1_00	CMOS-hys	Automotive	1 mA	2 mA	-	5 mA			
61	75	P1_01	CMOS-hys	Automotive	1 mA	2 mA	-	5 mA			
62	76	P1_02	CMOS-hys	Automotive	1 mA	2 mA	-	5 mA		*1	
63	77	P1_03	CMOS-hys	Automotive	1 mA	2 mA	-	5 mA		*1	
64	78	P1_04	CMOS-hys	Automotive	1 mA	2 mA	-	5 mA			
65	79	P1_05	CMOS-hys	Automotive	1 mA	2 mA	-	5 mA		*1	
66	80	P1_06	CMOS-hys	Automotive	1 mA	2 mA	-	5 mA		*1	

Pin No. of LQFP/TEQFP Package		Port Name	Input Level Setting		Output Drive Capacity Setting				Power of Pin (Pin Group)	Remark
144-Pin	176-Pin									
67	81	P1_07	CMOS-hys	Automotive	1 mA	2 mA	-	5 mA	V _{CC5}	
74	96	P1_08	CMOS-hys	Automotive	1 mA	2 mA	-	5 mA		
77	101	P1_09	CMOS-hys	Automotive	1 mA	2 mA	-	5 mA		
80	104	P1_10	CMOS-hys	Automotive	1 mA	2 mA	5 mA	30 mA	DV _{CC}	
81	105	P1_11	CMOS-hys	Automotive	1 mA	2 mA	5 mA	30 mA		
82	106	P1_12	CMOS-hys	Automotive	1 mA	2 mA	5 mA	30 mA		*2
83	107	P1_13	CMOS-hys	Automotive	1 mA	2 mA	5 mA	30 mA		*2
84	108	P1_14	CMOS-hys	Automotive	1 mA	2 mA	5 mA	30 mA		
85	109	P1_15	CMOS-hys	Automotive	1 mA	2 mA	5 mA	30 mA		
86	110	P1_16	CMOS-hys	Automotive	1 mA	2 mA	5 mA	30 mA		
87	111	P1_17	CMOS-hys	Automotive	1 mA	2 mA	5 mA	30 mA		
90	114	P1_18	CMOS-hys	Automotive	1 mA	2 mA	5 mA	30 mA		*2
91	115	P1_19	CMOS-hys	Automotive	1 mA	2 mA	5 mA	30 mA		*2
92	116	P1_20	CMOS-hys	Automotive	1 mA	2 mA	5 mA	30 mA		
93	117	P1_21	CMOS-hys	Automotive	1 mA	2 mA	5 mA	30 mA		*2
94	118	P1_22	CMOS-hys	Automotive	1 mA	2 mA	5 mA	30 mA		*2
95	119	P1_23	CMOS-hys	Automotive	1 mA	2 mA	5 mA	30 mA		
96	120	P1_24	CMOS-hys	Automotive	1 mA	2 mA	5 mA	30 mA		
97	121	P1_25	CMOS-hys	Automotive	1 mA	2 mA	5 mA	30 mA		
100	124	P1_26	CMOS-hys	Automotive	1 mA	2 mA	5 mA	30 mA		
101	125	P1_27	CMOS-hys	Automotive	1 mA	2 mA	5 mA	30 mA		*2
102	126	P1_28	CMOS-hys	Automotive	1 mA	2 mA	5 mA	30 mA		*2
103	127	P1_29	CMOS-hys	Automotive	1 mA	2 mA	5 mA	30 mA		
104	128	P1_30	CMOS-hys	Automotive	1 mA	2 mA	5 mA	30 mA	*2	
105	129	P1_31	CMOS-hys	Automotive	1 mA	2 mA	5 mA	30 mA	*2	
106	130	P2_00	CMOS-hys	Automotive	1 mA	2 mA	5 mA	30 mA		
107	131	P2_01	CMOS-hys	Automotive	1 mA	2 mA	5 mA	30 mA		
112	142	P2_02	CMOS-hys	Automotive	-				V _{CC53_1}	Input only
113	143	P2_03	CMOS-hys	Automotive	1 mA	2 mA	-	5 mA		
114	144	P2_04	CMOS-hys	Automotive	1 mA	2 mA	-	5 mA		
115	145	P2_05	CMOS-hys	Automotive	1 mA	2 mA	-	5 mA		
116	146	P2_06	CMOS-hys	Automotive	1 mA	2 mA	-	5 mA		
117	147	P2_07	CMOS-hys	Automotive	1 mA	2 mA	-	5 mA		
118	148	P2_08	CMOS-hys	Automotive	1 mA	2 mA	-	5 mA		
121	151	P2_09	CMOS-hys	Automotive	1 mA	2 mA	-	5 mA		
122	152	P2_10	CMOS-hys	Automotive	1 mA	2 mA	-	5 mA		
123	153	P2_11	CMOS-hys	Automotive	1 mA	2 mA	-	5 mA		
124	154	P2_12	CMOS-hys	Automotive	1 mA	2 mA	-	5 mA		
125	155	P2_13	CMOS-hys	Automotive	1 mA	2 mA	-	5 mA		
126	156	P2_14	CMOS-hys	Automotive	1 mA	2 mA	-	5 mA		
127	157	P2_15	CMOS-hys	Automotive	1 mA	2 mA	-	5 mA		
128	158	P2_16	CMOS-hys	Automotive	1 mA	2 mA	-	5 mA		*2

Pin No. of LQFP/TEQFP Package		Port Name	Input Level Setting		Output Drive Capacity Setting				Power of Pin (Pin Group)	Remark
144-Pin	176-Pin									
129	159	P2_17	CMOS-hys	Automotive	1 mA	2 mA	-	5 mA	V _{CC53_1}	*2
130	160	P2_18	CMOS-hys	Automotive	1 mA	2 mA	-	5 mA		
131	161	P2_19	CMOS-hys	Automotive	1 mA	2 mA	-	5 mA		
132	162	P2_20	CMOS-hys	Automotive	1 mA	2 mA	-	5 mA		
133	163	P2_21	CMOS-hys	Automotive	1 mA	2 mA	-	5 mA		
136	166	P2_22	CMOS-hys	Automotive	1 mA	2 mA	-	5 mA		
137	167	P2_23	CMOS-hys	Automotive	1 mA	2 mA	-	5 mA		*2
138	168	P2_24	CMOS-hys	Automotive	1 mA	2 mA	-	5 mA		*2
139	169	P2_25	CMOS-hys	Automotive	1 mA	2 mA	-	5 mA		
140	170	P2_26	CMOS-hys	Automotive	1 mA	2 mA	-	5 mA		
141	173	P2_27	CMOS-hys	Automotive	1 mA	2 mA	-	5 mA		
142	174	P2_28	CMOS-hys	Automotive	1 mA	2 mA	-	5 mA		
143	175	P2_29	CMOS-hys	Automotive	1 mA	2 mA	-	5 mA		
-	9	P3_00	CMOS-hys	Automotive	1 mA	2 mA	-	5 mA	V _{CC5}	
-	10	P3_01	CMOS-hys	Automotive	1 mA	2 mA	-	5 mA		
-	11	P3_02	CMOS-hys	Automotive	1 mA	2 mA	-	5 mA		
-	14	P3_03	CMOS-hys	Automotive	1 mA	2 mA	-	5 mA		
-	15	P3_04	CMOS-hys	Automotive	1 mA	2 mA	-	5 mA		
-	16	P3_05	CMOS-hys	Automotive	1 mA	2 mA	-	5 mA		
-	17	P3_06	CMOS-hys	Automotive	1 mA	2 mA	-	5 mA		
-	18	P3_07	CMOS-hys	Automotive	1 mA	2 mA	-	5 mA		
-	58	P3_08	CMOS-hys	Automotive	1 mA	2 mA	-	5 mA		
-	59	P3_09	CMOS-hys	Automotive	1 mA	2 mA	-	5 mA		
-	60	P3_10	CMOS-hys	Automotive	1 mA	2 mA	-	5 mA		
-	61	P3_11	CMOS-hys	Automotive	1 mA	2 mA	-	5 mA		
-	62	P3_12	CMOS-hys	Automotive	1 mA	2 mA	-	5 mA		
-	63	P3_13	CMOS-hys	Automotive	1 mA	2 mA	-	5 mA		
-	82	P3_14	CMOS-hys	Automotive	1 mA	2 mA	-	5 mA		
-	83	P3_15	CMOS-hys	Automotive	1 mA	2 mA	-	5 mA		
-	90	P3_16	CMOS-hys	Automotive	1 mA	2 mA	-	5 mA		
-	91	P3_17	CMOS-hys	Automotive	1 mA	2 mA	-	5 mA		
-	92	P3_18	CMOS-hys	Automotive	1 mA	2 mA	-	5 mA		
-	93	P3_19	CMOS-hys	Automotive	1 mA	2 mA	-	5 mA		
-	94	P3_20	CMOS-hys	Automotive	1 mA	2 mA	-	5 mA		
-	95	P3_21	CMOS-hys	Automotive	1 mA	2 mA	-	5 mA		
-	97	P3_22	CMOS-hys	Automotive	1 mA	2 mA	-	5 mA		
-	98	P3_23	CMOS-hys	Automotive	1 mA	2 mA	-	5 mA		
-	134	P3_24	CMOS-hys	Automotive	1 mA	2 mA	-	5 mA	V _{CC53_1}	
-	135	P3_25	CMOS-hys	Automotive	1 mA	2 mA	-	5 mA		
-	138	P3_26	CMOS-hys	Automotive	1 mA	2 mA	-	5 mA		
-	139	P3_27	CMOS-hys	Automotive	1 mA	2 mA	-	5 mA		
-	140	P3_28	CMOS-hys	Automotive	1 mA	2 mA	-	5 mA		
-	141	P3_29	CMOS-hys	Automotive	1 mA	2 mA	-	5 mA		

Pin No. of LQFP/TEQFP Package		Port Name	Input Level Setting		Output Drive Capacity Setting				Power of Pin (Pin Group)	Remark
144-Pin	176-Pin									
-	171	P3_30	CMOS-hys	Automotive	1 mA	2 mA	-	5 mA	V _{CC53_1}	
-	172	P3_31	CMOS-hys	Automotive	1 mA	2 mA	-	5 mA		

Note:

- "CMOS-hys" is CMOS hysteresis input level.
- "Automotive" is automotive hysteresis input level.
- *1 When the port setting is "SDA or SCL function setting", the output drive capacity is "I²C". Then, the port status is to be the open drain, and IOL is to be 3 mA.
- *2 When the port setting is "SDA or SCL function setting", the port status is to be the pseudo open drain, and IOL is to be the configured value for "Output Drive Capacity Setting".
- The "Output Drive Capacity Setting" values in above table are IOH/IOL values, when port power supply voltage is 5 V. For details of drive capability, see section [7.3 DC Characteristics](#).

(2) When Power Supply Pin of Each I/O is Used at 3.3 V

Table 5-3-2: Input Level Setting/ Output Drive Capacity Setting

Pin No. of LQFP/TEQFP Package		Port Name	Input Level Setting		Output Drive Capacity Setting				Power of Pin (Pin Group)	Remark	
144-Pin	176-Pin										
2	2	P0_00	CMOS-hys	Automotive	0.5 mA	1 mA	-	2 mA	V _{CC53_1}		
3	3	P0_01	CMOS-hys	Automotive	0.5 mA	1 mA	-	2 mA			
4	4	P0_02	CMOS-hys	Automotive	0.5 mA	1 mA	-	2 mA			
5	5	P0_03	CMOS-hys	Automotive	0.5 mA	1 mA	-	2 mA			
6	6	P0_04	CMOS-hys	Automotive	0.5 mA	1 mA	-	2 mA			
7	7	P0_05	CMOS-hys	Automotive	0.5 mA	1 mA	-	2 mA			
8	8	P0_06	CMOS-hys	Automotive	0.5 mA	1 mA	-	2 mA			
11	19	P0_07	CMOS-hys	Automotive	0.5 mA	1 mA	-	2 mA			
12	20	P0_08	CMOS-hys	Automotive	0.5 mA	1 mA	-	2 mA			
13	21	P0_09	CMOS-hys	Automotive	0.5 mA	1 mA	-	2 mA			
14	22	P0_10	CMOS-hys	Automotive	0.5 mA	1 mA	-	2 mA			
15	23	P0_11	CMOS-hys	Automotive	0.5 mA	1 mA	-	2 mA			
16	24	P0_12	CMOS-hys	Automotive	0.5 mA	1 mA	-	2 mA			
19	27	P0_13	CMOS-hys	Automotive	-	-	5 mA	15 mA		V _{CC53_2}	
20	28	P0_14	CMOS-hys	Automotive	-	-	5 mA	15 mA			
21	29	P0_15	CMOS-hys	Automotive	-	-	5 mA	15 mA			
22	30	P0_16	CMOS-hys	Automotive	-	-	5 mA	15 mA			
23	31	P0_17	CMOS-hys	Automotive	-	-	5 mA	15 mA			
26	34	P0_18	CMOS-hys	Automotive	-	-	5 mA	15 mA			
28	36	P0_19	CMOS-hys	Automotive	-	-	5 mA	15 mA			
29	37	P0_20	CMOS-hys	Automotive	-	-	5 mA	15 mA			
30	38	P0_21	CMOS-hys	Automotive	-	-	5 mA	15 mA			
31	39	P0_22	CMOS-hys	Automotive	-	-	5 mA	15 mA			
32	40	P0_23	CMOS-hys	Automotive	-	-	5 mA	15 mA			
35	43	P0_24	CMOS-hys	Automotive	-	-	5 mA	15 mA			
50	64	P0_25	CMOS-hys	Automotive	0.5 mA	1 mA	-	2 mA	V _{CC5}		*2
51	65	P0_26	CMOS-hys	Automotive	0.5 mA	1 mA	-	2 mA			*2
52	66	P0_27	CMOS-hys	Automotive	0.5 mA	1 mA	-	2 mA			
53	67	P0_28	CMOS-hys	Automotive	0.5 mA	1 mA	-	2 mA			
54	68	P0_29	CMOS-hys	Automotive	0.5 mA	1 mA	-	2 mA			
56	70	P0_30	CMOS-hys	Automotive	0.5 mA	1 mA	-	2 mA			
57	71	P0_31	CMOS-hys	Automotive	0.5 mA	1 mA	-	2 mA			
60	74	P1_00	CMOS-hys	Automotive	0.5 mA	1 mA	-	2 mA			
61	75	P1_01	CMOS-hys	Automotive	0.5 mA	1 mA	-	2 mA			
62	76	P1_02	CMOS-hys	Automotive	0.5 mA	1 mA	-	2 mA		*1	
63	77	P1_03	CMOS-hys	Automotive	0.5 mA	1 mA	-	2 mA		*1	
64	78	P1_04	CMOS-hys	Automotive	0.5 mA	1 mA	-	2 mA			
65	79	P1_05	CMOS-hys	Automotive	0.5 mA	1 mA	-	2 mA		*1	
66	80	P1_06	CMOS-hys	Automotive	0.5 mA	1 mA	-	2 mA		*1	

Pin No. of LQFP/TEQFP Package		Port Name	Input Level Setting		Output Drive Capacity Setting				Power of Pin (Pin Group)	Remark
144-Pin	176-Pin									
67	81	P1_07	CMOS-hys	Automotive	0.5 mA	1 mA	-	2 mA	V _{CC5}	
74	96	P1_08	CMOS-hys	Automotive	0.5 mA	1 mA	-	2 mA		
77	101	P1_09	CMOS-hys	Automotive	0.5 mA	1 mA	-	2 mA		
80	104	P1_10	CMOS-hys	Automotive	0.5 mA	1 mA	2 mA	-		
81	105	P1_11	CMOS-hys	Automotive	0.5 mA	1 mA	2 mA	-		
82	106	P1_12	CMOS-hys	Automotive	0.5 mA	1 mA	2 mA	-		*2
83	107	P1_13	CMOS-hys	Automotive	0.5 mA	1 mA	2 mA	-		*2
84	108	P1_14	CMOS-hys	Automotive	0.5 mA	1 mA	2 mA	-		
85	109	P1_15	CMOS-hys	Automotive	0.5 mA	1 mA	2 mA	-		
86	110	P1_16	CMOS-hys	Automotive	0.5 mA	1 mA	2 mA	-		
87	111	P1_17	CMOS-hys	Automotive	0.5 mA	1 mA	2 mA	-		
90	114	P1_18	CMOS-hys	Automotive	0.5 mA	1 mA	2 mA	-		*2
91	115	P1_19	CMOS-hys	Automotive	0.5 mA	1 mA	2 mA	-		*2
92	116	P1_20	CMOS-hys	Automotive	0.5 mA	1 mA	2 mA	-		
93	117	P1_21	CMOS-hys	Automotive	0.5 mA	1 mA	2 mA	-	*2	
94	118	P1_22	CMOS-hys	Automotive	0.5 mA	1 mA	2 mA	-	*2	
95	119	P1_23	CMOS-hys	Automotive	0.5 mA	1 mA	2 mA	-		
96	120	P1_24	CMOS-hys	Automotive	0.5 mA	1 mA	2 mA	-		
97	121	P1_25	CMOS-hys	Automotive	0.5 mA	1 mA	2 mA	-		
100	124	P1_26	CMOS-hys	Automotive	0.5 mA	1 mA	2 mA	-		
101	125	P1_27	CMOS-hys	Automotive	0.5 mA	1 mA	2 mA	-	*2	
102	126	P1_28	CMOS-hys	Automotive	0.5 mA	1 mA	2 mA	-	*2	
103	127	P1_29	CMOS-hys	Automotive	0.5 mA	1 mA	2 mA	-		
104	128	P1_30	CMOS-hys	Automotive	0.5 mA	1 mA	2 mA	-	*2	
105	129	P1_31	CMOS-hys	Automotive	0.5 mA	1 mA	2 mA	-	*2	
106	130	P2_00	CMOS-hys	Automotive	0.5 mA	1 mA	2 mA	-		
107	131	P2_01	CMOS-hys	Automotive	0.5 mA	1 mA	2 mA	-		
112	142	P2_02	CMOS-hys	Automotive	-					Input only
113	143	P2_03	CMOS-hys	Automotive	0.5 mA	1 mA	-	2 mA	V _{CC53_1}	
114	144	P2_04	CMOS-hys	Automotive	0.5 mA	1 mA	-	2 mA		
115	145	P2_05	CMOS-hys	Automotive	0.5 mA	1 mA	-	2 mA		
116	146	P2_06	CMOS-hys	Automotive	0.5 mA	1 mA	-	2 mA		
117	147	P2_07	CMOS-hys	Automotive	0.5 mA	1 mA	-	2 mA		
118	148	P2_08	CMOS-hys	Automotive	0.5 mA	1 mA	-	2 mA		
121	151	P2_09	CMOS-hys	Automotive	0.5 mA	1 mA	-	2 mA		
122	152	P2_10	CMOS-hys	Automotive	0.5 mA	1 mA	-	2 mA		
123	153	P2_11	CMOS-hys	Automotive	0.5 mA	1 mA	-	2 mA		
124	154	P2_12	CMOS-hys	Automotive	0.5 mA	1 mA	-	2 mA		
125	155	P2_13	CMOS-hys	Automotive	0.5 mA	1 mA	-	2 mA		
126	156	P2_14	CMOS-hys	Automotive	0.5 mA	1 mA	-	2 mA		
127	157	P2_15	CMOS-hys	Automotive	0.5 mA	1 mA	-	2 mA		
128	158	P2_16	CMOS-hys	Automotive	0.5 mA	1 mA	-	2 mA		*2

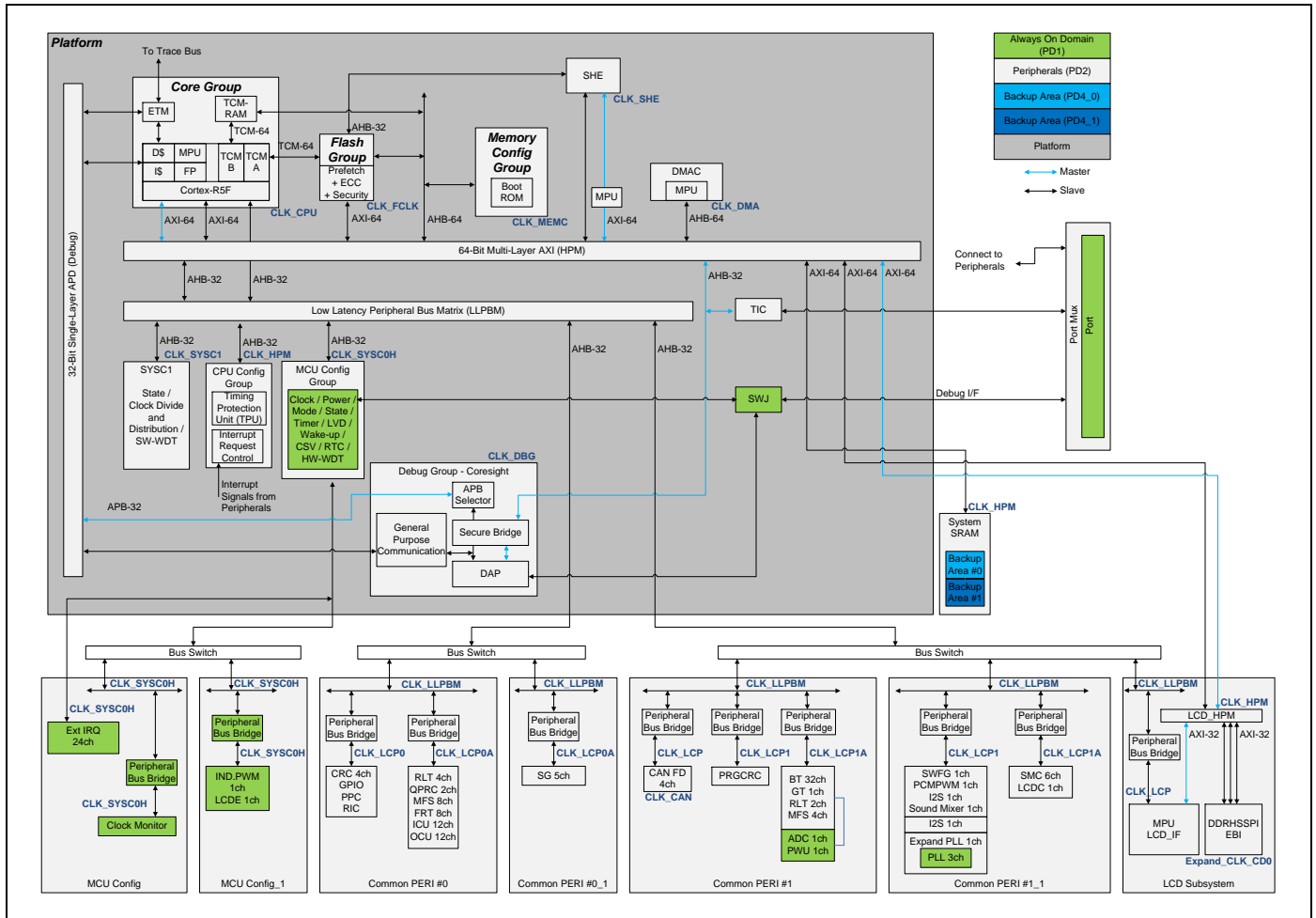
Pin No. of LQFP/TEQFP Package		Port Name	Input Level Setting		Output Drive Capacity Setting				Power of Pin (Pin Group)	Remark
144-Pin	176-Pin									
129	159	P2_17	CMOS-hys	Automotive	0.5 mA	1 mA	-	2 mA	V _{CC53_1}	*2
130	160	P2_18	CMOS-hys	Automotive	0.5 mA	1 mA	-	2 mA		
131	161	P2_19	CMOS-hys	Automotive	0.5 mA	1 mA	-	2 mA		
132	162	P2_20	CMOS-hys	Automotive	0.5 mA	1 mA	-	2 mA		
133	163	P2_21	CMOS-hys	Automotive	0.5 mA	1 mA	-	2 mA		
136	166	P2_22	CMOS-hys	Automotive	0.5 mA	1 mA	-	2 mA		
137	167	P2_23	CMOS-hys	Automotive	0.5 mA	1 mA	-	2 mA		*2
138	168	P2_24	CMOS-hys	Automotive	0.5 mA	1 mA	-	2 mA		*2
139	169	P2_25	CMOS-hys	Automotive	0.5 mA	1 mA	-	2 mA		
140	170	P2_26	CMOS-hys	Automotive	0.5 mA	1 mA	-	2 mA		
141	173	P2_27	CMOS-hys	Automotive	0.5 mA	1 mA	-	2 mA		
142	174	P2_28	CMOS-hys	Automotive	0.5 mA	1 mA	-	2 mA		
143	175	P2_29	CMOS-hys	Automotive	0.5 mA	1 mA	-	2 mA		
-	9	P3_00	CMOS-hys	Automotive	0.5 mA	1 mA	-	2 mA	V _{CC5}	
-	10	P3_01	CMOS-hys	Automotive	0.5 mA	1 mA	-	2 mA		
-	11	P3_02	CMOS-hys	Automotive	0.5 mA	1 mA	-	2 mA		
-	14	P3_03	CMOS-hys	Automotive	0.5 mA	1 mA	-	2 mA		
-	15	P3_04	CMOS-hys	Automotive	0.5 mA	1 mA	-	2 mA		
-	16	P3_05	CMOS-hys	Automotive	0.5 mA	1 mA	-	2 mA		
-	17	P3_06	CMOS-hys	Automotive	0.5 mA	1 mA	-	2 mA		
-	18	P3_07	CMOS-hys	Automotive	0.5 mA	1 mA	-	2 mA		
-	58	P3_08	CMOS-hys	Automotive	0.5 mA	1 mA	-	2 mA		
-	59	P3_09	CMOS-hys	Automotive	0.5 mA	1 mA	-	2 mA		
-	60	P3_10	CMOS-hys	Automotive	0.5 mA	1 mA	-	2 mA		
-	61	P3_11	CMOS-hys	Automotive	0.5 mA	1 mA	-	2 mA		
-	62	P3_12	CMOS-hys	Automotive	0.5 mA	1 mA	-	2 mA		
-	63	P3_13	CMOS-hys	Automotive	0.5 mA	1 mA	-	2 mA		
-	82	P3_14	CMOS-hys	Automotive	0.5 mA	1 mA	-	2 mA		
-	83	P3_15	CMOS-hys	Automotive	0.5 mA	1 mA	-	2 mA		
-	90	P3_16	CMOS-hys	Automotive	0.5 mA	1 mA	-	2 mA		
-	91	P3_17	CMOS-hys	Automotive	0.5 mA	1 mA	-	2 mA		
-	92	P3_18	CMOS-hys	Automotive	0.5 mA	1 mA	-	2 mA		
-	93	P3_19	CMOS-hys	Automotive	0.5 mA	1 mA	-	2 mA		
-	94	P3_20	CMOS-hys	Automotive	0.5 mA	1 mA	-	2 mA		
-	95	P3_21	CMOS-hys	Automotive	0.5 mA	1 mA	-	2 mA		
-	97	P3_22	CMOS-hys	Automotive	0.5 mA	1 mA	-	2 mA		
-	98	P3_23	CMOS-hys	Automotive	0.5 mA	1 mA	-	2 mA		
-	134	P3_24	CMOS-hys	Automotive	0.5 mA	1 mA	-	2 mA	V _{CC53_1}	
-	135	P3_25	CMOS-hys	Automotive	0.5 mA	1 mA	-	2 mA		
-	138	P3_26	CMOS-hys	Automotive	0.5 mA	1 mA	-	2 mA		
-	139	P3_27	CMOS-hys	Automotive	0.5 mA	1 mA	-	2 mA		
-	140	P3_28	CMOS-hys	Automotive	0.5 mA	1 mA	-	2 mA		
-	141	P3_29	CMOS-hys	Automotive	0.5 mA	1 mA	-	2 mA		

Pin No. of LQFP/TEQFP Package		Port Name	Input Level Setting		Output Drive Capacity Setting				Power of Pin (Pin Group)	Remark
144-Pin	176-Pin									
-	171	P3_30	CMOS-hys	Automotive	0.5 mA	1 mA	-	2 mA	V _{CC53_1}	
-	172	P3_31	CMOS-hys	Automotive	0.5 mA	1 mA	-	2 mA		

Note:

- "CMOS-hys" is CMOS hysteresis input level.
- "Automotive" is automotive hysteresis input level.
- *1 When the port setting is "SDA or SCL function setting", the output drive capacity is "I²C". Then, the port status is to be the open drain, and IOL is to be 3 mA.
- *2 When the port setting is "SDA or SCL function setting", the port status is to be the pseudo open drain, and IOL is to be the configured value for "Output Drive Capacity Setting".
- The "Output Drive Capacity Setting" values in above table are IOH/IOL values, when port power supply voltage is 3.3 V. For details of drive capability, see section 7.3 DC Characteristics.

6. Block Diagram



7. Electrical Characteristics

7.1 Absolute Maximum Ratings

Parameter	Symbol	Value		Unit	Remarks
		Min	Max		
Power supply voltage ^{*1, *2}	V _{CC5}	V _{SS} - 0.3	V _{SS} + 6.0	V	
	V _{CC53_1}	V _{SS} - 0.3	V _{SS} + 6.0	V	V _{CC53_1} ≤ V _{CC5}
	V _{CC53_2}	V _{SS} - 0.3	V _{SS} + 6.0	V	V _{CC53_2} ≤ V _{CC5}
	DV _{CC}	V _{SS} - 0.3	V _{SS} + 6.0	V	
Analog supply voltage ^{*1, *2}	AV _{CC5}	V _{SS} - 0.3	V _{SS} + 6.0	V	AV _{CC5} ≤ V _{CC5}
Analog reference voltage ^{*1}	AV _{RH5}	V _{SS} - 0.3	V _{SS} + 6.0	V	AV _{RH5} ≤ AV _{CC5}
Input voltage ^{*1}	V _{I1}	V _{SS} - 0.3	V _{CC5} + 0.3	V	GPIO of V _{CC5} ^{*6} MODE, RSTX, NMIX, JTAG_TDI, JTAG_TMS, JTAG_TCK, JTAG_NTRST
	V _{I2}	V _{SS} - 0.3	V _{CC53_1} + 0.3	V	GPIO of V _{CC53_1} ^{*6}
	V _{I3}	V _{SS} - 0.3	V _{CC53_2} + 0.3	V	GPIO of V _{CC53_2} ^{*6}
	V _{I4}	V _{SS} - 0.3	DV _{CC} + 0.3	V	GPIO of DV _{CC} ^{*6}
Analog pin input voltage ^{*1}	V _{IA}	V _{SS} - 0.3	AV _{CC5} + 0.3	V	^{*8}
Output voltage ^{*1}	V _{O1}	V _{SS} - 0.3	V _{CC5} + 0.3	V	GPIO of V _{CC5} ^{*6, *8} JTAG_TDO
	V _{O2}	V _{SS} - 0.3	V _{CC53_1} + 0.3	V	GPIO of V _{CC53_1} ^{*6}
	V _{O3}	V _{SS} - 0.3	V _{CC53_2} + 0.3	V	GPIO of V _{CC53_2} ^{*6, *8}
	V _{O4}	V _{SS} - 0.3	DV _{CC} + 0.3	V	GPIO of DV _{CC} ^{*6, *8}
Maximum clamp current	I _{CLAMP}	-	4	mA	^{*7, *A}
Total maximum clamp current	Σ I _{CLAMP}	-	20	mA	^{*7, *A}
L-level maximum output current ^{*3}	I _{OL1}	-	3.5	mA	When setting is 1 mA ALL GPIO ^{*6}
	I _{OL2}	-	7	mA	When setting is 2 mA ALL GPIO ^{*6}
	I _{OL3}	-	10	mA	When setting is 5 mA GPIO of V _{CC5} /V _{CC53_1} /DV _{CC} ^{*6}
	I _{OL3}	-	10	mA	When setting is 5 mA GPIO of V _{CC53_2} ^{*6}
	I _{OL4}	-	20	mA	When setting is 15 mA GPIO of V _{CC53_2} ^{*6}
	I _{OL5}	-	40	mA	When setting is 30 mA GPIO of DV _{CC} ^{*6}
	I _{OL6}	-	8	mA	When setting is 3 mA GPIO of V _{CC5} ^{*6}

Parameter	Symbol	Value		Unit	Remarks
		Min	Max		
L-level average output current ^{*4}	I _{OLAV1}	-	1	mA	When setting is 1 mA ALL GPIO ^{*6}
	I _{OLAV2}	-	2	mA	When setting is 2 mA ALL GPIO ^{*6}
	I _{OLAV3}	-	5	mA	When setting is 5 mA GPIO of V _{CC5} /V _{CC53_1} /DV _{CC} ^{*6}
	I _{OLAV3}	-	5	mA	When setting is 5 mA GPIO of V _{CC53_2} ^{*6}
	I _{OLAV4}	-	15	mA	When setting is 15 mA GPIO of V _{CC53_2} ^{*6}
	I _{OLAV5}	-	30	mA	When setting is 30 mA GPIO of DV _{CC} ^{*6}
	I _{OLAV6}	-	3	mA	When setting is 3 mA (I ² C) GPIO of V _{CC5} ^{*6}
L-level total output current ^{*5}	ΣI _{OL1}	-	50	mA	GPIO of (V _{CC5} + V _{CC53_1} + V _{CC53_2}) ^{*6}
	ΣI _{OL2}	-	250	mA	GPIO of DV _{CC} ^{*6}
H-level maximum output current ^{*3}	I _{OH1}	-	-3.5	mA	When setting is 1 mA ALL GPIO ^{*6}
	I _{OH2}	-	-7	mA	When setting is 2 mA ALL GPIO ^{*6}
	I _{OH3}	-	-10	mA	When setting is 5 mA GPIO of V _{CC5} /V _{CC53_1} /DV _{CC} ^{*6}
	I _{OH3}	-	-10	mA	When setting is 5 mA GPIO of V _{CC53_2} ^{*6}
	I _{OH4}	-	-20	mA	When setting is 15 mA GPIO of V _{CC53_2} ^{*6}
	I _{OH5}	-	-40	mA	When setting is 30 mA GPIO of DV _{CC} ^{*6}
H-level average output current ^{*4}	I _{OHAV1}	-	-1	mA	When setting is 1 mA ALL GPIO ^{*6}
	I _{OHAV2}	-	-2	mA	When setting is 2 mA ALL GPIO ^{*6}
	I _{OHAV3}	-	-5	mA	When setting is 5 mA GPIO of V _{CC5} /V _{CC53_1} /DV _{CC} ^{*6}
	I _{OHAV3}	-	-5	mA	When setting is 5 mA GPIO of V _{CC53_2} ^{*6}
	I _{OHAV4}	-	-15	mA	When setting is 15 mA GPIO of V _{CC53_2} ^{*6}
	I _{OHAV5}	-	-30	mA	When setting is 30 mA GPIO of DV _{CC} ^{*6}
H-level total output current ^{*5}	ΣI _{OH1}	-	-50	mA	GPIO of (V _{CC5} + V _{CC53_1} + V _{CC53_2}) ^{*6}
	ΣI _{OH2}	-	-250	mA	GPIO of DV _{CC} ^{*6}
Power consumption	P _D	-	1100	mW	TEQFP package
		-	950	mW	LQFP package
Operating temperature	T _A	-40	105	°C	
Storage temperature	T _{stg}	-55	150	°C	

*1: These parameters are based on the condition that V_{SS} = AV_{SS} = DV_{SS} = 0.0 V.

*2: [For S6J33xxxS or S6J33xxxT or S6J33xxxU or S6J33xxxV part number]

Take care that DV_{CC}, AV_{CC5}, V_{CC53_1}, V_{CC53_2} do not exceed V_{CC5}.

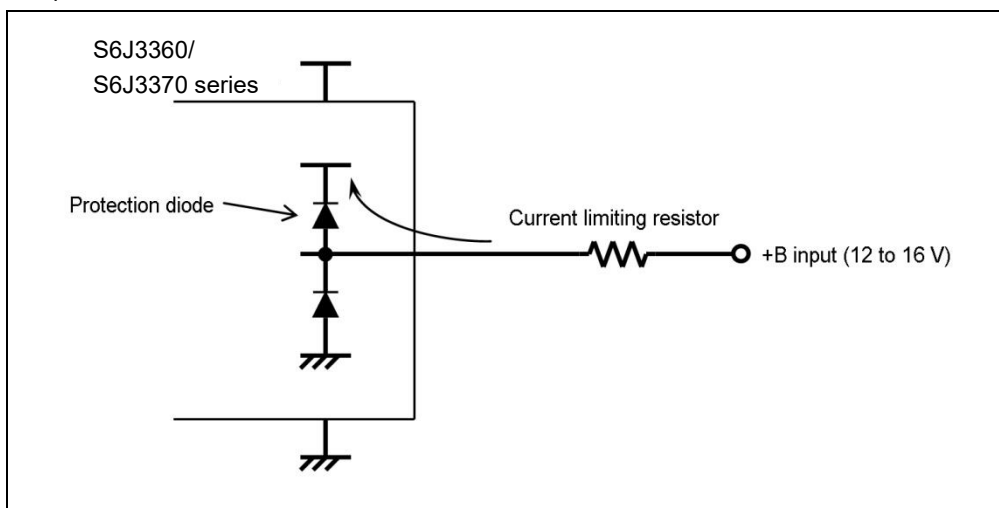
[For S6J33xxxA or S6J33xxxE or S6J33xxxC or S6J33xxxG part number]

Take care that AV_{CC5} , V_{CC53_1} , V_{CC53_2} do not exceed V_{CC5} .

DV_{CC} is possible to exceed V_{CC5} .

- *3: The maximum output current is defined as the value of the peak current flowing through any one of the corresponding pins.
 - *4: The average output current is defined as the value of the average current flowing through any one of the corresponding pins for a 10-ms period. The average value is the operation current \times the operation ratio.
 - *5: The total output current is defined as the maximum current value flowing through all of corresponding pins.
 - *6: For the details of GPIO group and setting, See section 5.3 [Input Level Setting/ Output Drive Capacity Setting](#).
 - *7: VI or VO should never exceed the specified ratings. However, if the maximum current to/from an input is limited by a suitable external resistor, the ICLAMP rating supersedes the VI rating.
 - *8: Take care that the output voltage does not exceed $AV_{CC5} + 0.3$ V because ADC Analog input pins (ADC0_ANx) are internally connected to the analog elements. In case of use ADC, analog input voltage do not exceed AV_{CC5} .
- *A: Relevant pins: All general-purpose ports and analog input pins
- Corresponding pins: all general-purpose ports
 - Use within recommended operating conditions.
 - Use at DC voltage (current).
 - The +B signal should always be applied by connecting a limiting resistor between the +B signal and the microcontroller.
 - The value of the limiting resistor should be set so that the current input to the microcontroller pin does not exceed rated values at any time regardless of instantaneous or constant +B signal input.
 - When the microcontroller drive current is low, such as in the low power consumption modes, the + B input potential can increase the potential at the VCC pin via a protective diode, possibly affecting other devices.
 - If the + B signal is input when the microcontroller is off (not fixed at 0 V), since the power is supplied through the pin, the microcontroller may not operate completely.
 - If the +B signal is input at power-on, since the power is supplied through the pin, the power-on reset may not function in the power supply voltage.
 - Do not leave + B input pins open.

Example of a recommended circuit



WARNING:

- Semiconductor devices may be permanently damaged by application of stress (including, without limitation, voltage, current or temperature) in excess of absolute maximum ratings. Do not exceed any of these ratings.

7.2 Recommended Operating Conditions

(1) Recommended Operation Conditions for S6J33nnnXnnnnnnnn (X = S, T, U, V)

Parameter	Symbol	Value		Unit	Remarks
		Min	Max		
Supply voltage	V _{CC5}	4.5	5.5	V	Recommended operation assurance range (case1) ^{*1}
	V _{CC53_1}	4.5	5.5	V	
		3.0	3.6	V	
	V _{CC53_2}	4.5	5.5	V	
		3.0	3.6	V	
	DV _{CC}	4.5	5.5	V	
	AV _{CC5}	4.5	5.5	V	
	Recommended operation assurance range (case2) ^{*1}	V _{CC5}	3.0	3.6	V
		V _{CC53_1}	3.0	3.6	V
		V _{CC53_2}	3.0	3.6	V
		DV _{CC}	3.0	3.6	V
		AV _{CC5}	3.0	3.6	V
		Operation assurance range ^{*2}	V _{CC5}	2.7	5.5
	V _{CC53_1}		2.7	5.5	V
	V _{CC53_2}		2.7	5.5	V
DV _{CC}	2.7		5.5	V	
AV _{CC5}	2.7		5.5	V	
Smoothing capacitor ^{*3}	C _S	4.7		μF	Tolerance of up to ±40 %
Operating temperature	T _A	-40	105	°C	

(2) Recommended Operation Conditions for S6J33nnnXnnnnnnnn (X = A, E, C, G)

Parameter	Symbol	Value		Unit	Remarks
		Min	Max		
Supply voltage	V _{CC5}	4.5	5.5	V	Recommended operation assurance range (case1) ^{*1}
	V _{CC53_1}	4.5	5.5	V	
		3.0	3.6	V	
	V _{CC53_2}	4.5	5.5	V	
		3.0	3.6	V	
	DV _{CC}	4.5	5.5	V	
	AV _{CC5}	4.5	5.5	V	
	Recommended operation assurance range (case2) ^{*1}	V _{CC5}	3.0	3.6	V
		V _{CC53_1}	3.0	3.6	V
		V _{CC53_2}	3.0	3.6	V
		DV _{CC}	3.0	3.6	V
		AV _{CC5}	3.0	3.6	V
		Recommended operation assurance range (case3) ^{*1}	V _{CC5}	3.0	3.6
	V _{CC53_1}		3.0	3.6	V
	V _{CC53_2}		3.0	3.6	V
	DV _{CC}		4.5	5.5	V
	AV _{CC5}		3.0	3.6	V
	Operation assurance range ^{*2}		V _{CC5}	2.7	5.5
V _{CC53_1}		2.7	5.5	V	
V _{CC53_2}		2.7	5.5	V	
DV _{CC}		2.7	5.5	V	
AV _{CC5}		2.7	5.5	V	
Smoothing capacitor ^{*3}	C _S	4.7		μF	Tolerance of up to ±40 %
Operating temperature	T _A	-40	105	°C	

Notes:

*1: Recommendation of S6J3360/S6J3370 series power supply voltage combination is as follows.

	VCC5 [V]	VCC53_1 [V]	VCC53_2 [V]	DVCC [V]	AVCC5 [V]
Case1	5.0	5.0	5.0	5.0	5.0
	5.0	5.0	3.3	5.0	5.0
	5.0	3.3	5.0	5.0	5.0
	5.0	3.3	3.3	5.0	5.0
Case2	3.3	3.3	3.3	3.3	3.3
Case3	3.3	3.3	3.3	5.0	3.3

Other voltage combinations are out of recommendation. The typical values which are described in the above table.

- In all cases, recommended power supply sequence is the following.

VCC5 -> [DVCC or VCC53_1 or VCC53_2 or AVCC5]*

* Note that power supplies inside "[]" can be turned on in arbitrary order.

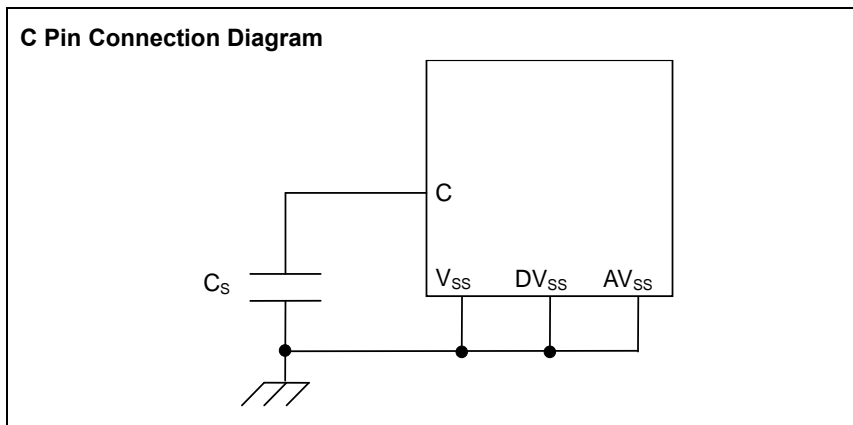
For details of the power supply sequence, see section 7.4.5.2 Power Supply Sequence.

*2: When it is used outside recommended operation guarantee range (range of the operation guarantee), contact your sales representative.

The initial detection voltage of the external low voltage detection is 2.6 V±3.5 % (2.51 V to 2.69 V).

This LVD setting and internal LVD (LVDL0/LVDL1) cannot be used to reliably generate a reset before voltage dips below minimum guaranteed MCU operation voltage, as these detection levels are below the minimum guaranteed MCU operation voltage.

*3: For the connections of smoothing capacitor C_s, see the following diagram.


WARNING:

- The recommended operating conditions are required to ensure the normal operation of the semiconductor device. All the device's electrical characteristics are guaranteed when the device is operated under these conditions.
- Any use of semiconductor devices will be under their recommended operating conditions.
- Operation under any conditions other than these conditions may adversely affect reliability of device and can result in device failure.
- No guarantee is made with respect to any use, operating conditions, or combinations not represented on this datasheet. If you want to operate the application under any conditions other than listed here, contact the sales representatives.

Notes:

- The following conditions should be satisfied in order to facilitate heat dissipation:
 1. Four or more layers PCB should be used.
 2. The area of PCB should be 114.3 mm x 76.2 mm or more, and the thickness should be 1.6 mm or more. (JEDEC standard)
 3. One layer of middle layers at least should be used for dedicated layer to radiate heat with residual copper rate 90 % or more. The layer can be used for system ground.
 4. 35 % or more of the die stage area which is exposed at back surface of package should be soldered to a part of 1st layer.
 5. Set via on PCB surface to ensure heat dissipation in order to connect die joint stage with heat dissipation stage by via. Or the part of 1st layer should be connected to the dedicated heat radiation layer with more than 10 thermal via holes.

Mounting condition is operation recommendation condition from JEDEC.

Figure 7-1: Example Thermal Via Holes on PCB.



Notes:

- [Figure 7-1](#) is a schematic diagram showing PCB in section.
- [Figure 7-2](#), [Figure 7-3](#), [Figure 7-4](#) in the following pages are recommended land patterns for each package series. Thermal via holes should closely be placed and aligned with lands.
- If you are considering application under any conditions other than listed herein, please contact sales representatives beforehand.

Figure 7-2: Example Land Pattern for TEQFP176 (LEF176)

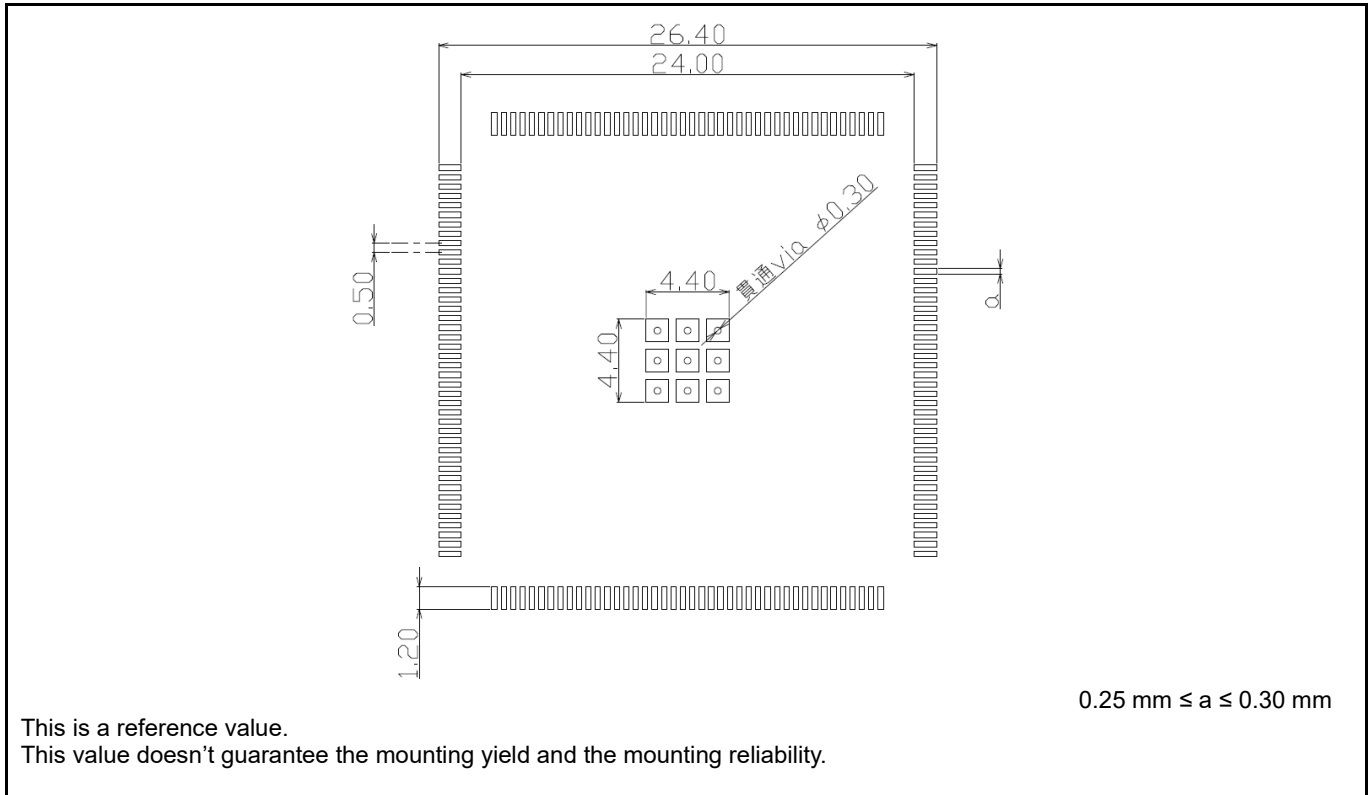


Figure 7-3: Example Land Pattern for TEQFP144 (LEJ144)

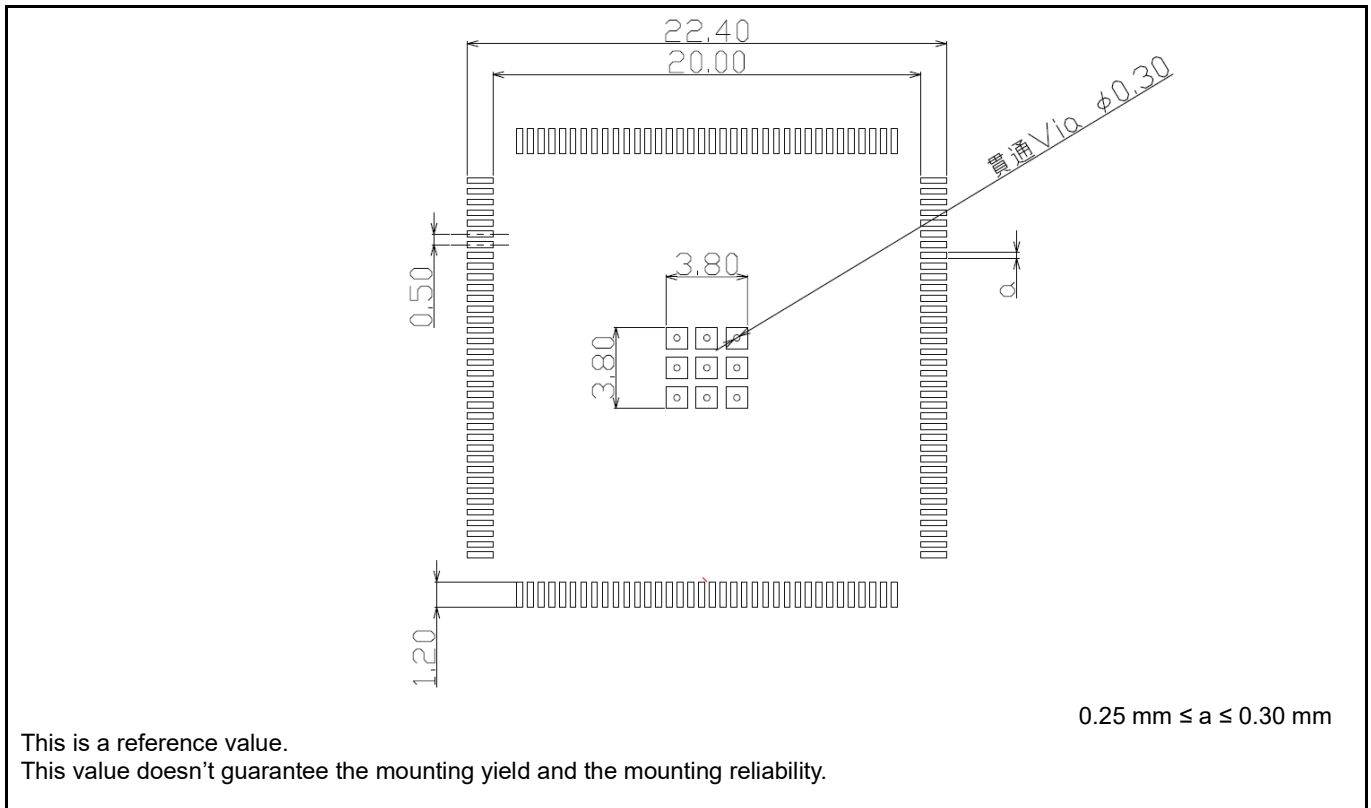
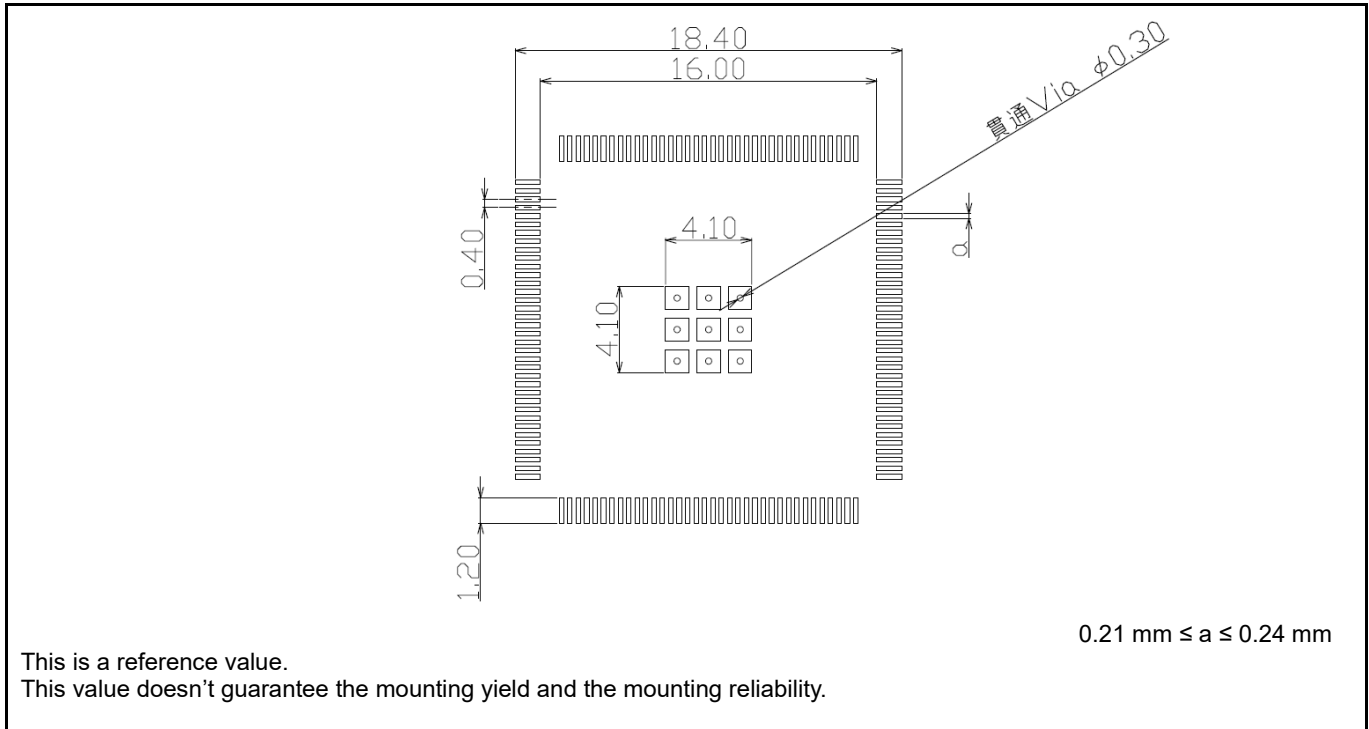


Figure 7-4: Example Land Pattern for TEQFP144 (LEG144)



7.3 DC Characteristics

7.3.1 Port Function Characteristics

(Condition: See section 7.2 Recommended Operating Conditions)

Parameter	Symbol	Pin Name*1	Conditions	Value			Unit	Remarks
				Min	Typ	Max		
"H" level input voltage	V _{IH1}	GPIO of V _{CC5}	CMOS hysteresis input level is selected	0.7 x V _{CC5}	-	V _{CC5} + 0.3	V	
	V _{IH2}		Automotive input level is selected	0.8 x V _{CC5}	-	V _{CC5} + 0.3	V	
	V _{IH3}	GPIO of V _{CC53_1}	CMOS hysteresis input level is selected	0.7 x V _{CC53_1}	-	V _{CC53_1} + 0.3	V	
	V _{IH4}		Automotive input level is selected	0.8 x V _{CC53_1}	-	V _{CC53_1} + 0.3	V	
	V _{IH5}	GPIO of V _{CC53_2}	CMOS hysteresis input level is selected	0.7 x V _{CC53_2}	-	V _{CC53_2} + 0.3	V	
	V _{IH6}		Automotive input level is selected	0.8 x V _{CC53_2}	-	V _{CC53_2} + 0.3	V	
	V _{IH7}	GPIO of DV _{CC}	CMOS hysteresis input level is selected	0.7 x DV _{CC}	-	DV _{CC} + 0.3	V	
	V _{IH8}		Automotive input level is selected	0.8 x DV _{CC}	-	DV _{CC} + 0.3	V	
	V _{IH9}	RSTX, NMIX	CMOS hysteresis input level	0.7 x V _{CC5}	-	V _{CC5} + 0.3	V	
	V _{IH10}	MODE	CMOS hysteresis input level	0.7 x V _{CC5}	-	V _{CC5} + 0.3	V	
	V _{IH11}	JTAG_NTRST, JTAG_TCK, JTAG_TDI, JTAG_TMS	TTL input level	2.7	-	V _{CC5} + 0.3	V	
"L" level input voltage	V _{IL1}	GPIO of V _{CC5}	CMOS hysteresis input level is selected	V _{SS} - 0.3	-	0.3 x V _{CC5}	V	
	V _{IL2}		Automotive input level is selected	V _{SS} - 0.3	-	0.5 x V _{CC5}	V	
	V _{IL3}	GPIO of V _{CC53_1}	CMOS hysteresis input level is selected	V _{SS} - 0.3	-	0.3 x V _{CC53_1}	V	
	V _{IL4}		Automotive input level is selected	V _{SS} - 0.3	-	0.5 x V _{CC53_1}	V	
	V _{IL5}	GPIO of V _{CC53_2}	CMOS hysteresis input level is selected	V _{SS} - 0.3	-	0.3 x V _{CC53_2}	V	
	V _{IL6}		Automotive input level is selected	V _{SS} - 0.3	-	0.5 x V _{CC53_2}	V	
	V _{IL7}	GPIO of DV _{CC}	CMOS hysteresis input level is selected	V _{SS} - 0.3	-	0.3 x DV _{CC}	V	
	V _{IL8}		Automotive input level is selected	V _{SS} - 0.3	-	0.5 x DV _{CC}	V	
	V _{IL9}	RSTX, NMIX	CMOS hysteresis input level	V _{SS} - 0.3	-	0.3 x V _{CC5}	V	
	V _{IL10}	MODE	CMOS hysteresis input level	V _{SS} - 0.3	-	0.3 x V _{CC5}	V	
	V _{IL11}	JTAG_NTRST, JTAG_TCK, JTAG_TDI, JTAG_TMS	TTL input level	V _{SS} - 0.3	-	0.8	V	

*1: For the details of GPIO group, see section 5.3 Input Level Setting/ Output Drive Capacity Setting.

(Condition: See section 7.2 Recommended Operating Conditions)

Parameter	Symbol	Pin Name*1	Conditions	Value			Unit	Remarks
				Min	Typ	Max		
Hysteresis voltage	V _{HYS1}	GPIO of V _{CC5}	CMOS hysteresis input level is selected	-	0.05 x V _{CC5}	-	V	
	V _{HYS2}		Automotive input level is selected	-	0.03 x V _{CC5}	-	V	
	V _{HYS3}	GPIO of V _{CC53_1}	CMOS hysteresis input level is selected	-	0.05 x V _{CC53_1}	-	V	
	V _{HYS4}		Automotive input level is selected	-	0.03 x V _{CC53_1}	-	V	
	V _{HYS5}	GPIO of V _{CC53_2}	CMOS hysteresis input level is selected	-	0.05 x V _{CC53_2}	-	V	
	V _{HYS6}		Automotive input level is selected	-	0.03 x V _{CC53_2}	-	V	
	V _{HYS7}	GPIO of DV _{CC}	CMOS hysteresis input level is selected	-	0.05 x DV _{CC}	-	V	
	V _{HYS8}		Automotive input level is selected	-	0.03 x DV _{CC}	-	V	
	V _{HYS9}	RSTX, NMIX	CMOS hysteresis input level	-	0.05 x V _{CC5}	-	V	
	V _{HYS10}	MODE	CMOS hysteresis input level	-	0.05 x V _{CC5}	-	V	
	V _{HYS11}	JTAG_NTRST, JTAG_TCK, JTAG_TDI, JTAG_TMS	TTL input level	-	0.035	-	V	

*1: For the details of GPIO group, see section 5.3 Input Level Setting/ Output Drive Capacity Setting.

(Condition: See section 7.2 Recommended Operating Conditions)

Parameter	Symbol	Pin Name ^{*1}	Conditions	Value			Unit	Remarks
				Min	Typ	Max		
"H" level output voltage	V _{OH1}	GPIO of V _{CC5} (except P202)	V _{CC5} = 4.5 V, I _{OH} = -1.0 mA	V _{CC5} - 0.5	-	V _{CC5}	V	
			V _{CC5} = 3.0 V, I _{OH} = -0.5 mA	V _{CC5} - 0.5	-	V _{CC5}	V	
	V _{CC5} = 4.5 V, I _{OH} = -2.0 mA		V _{CC5} - 0.5	-	V _{CC5}	V		
	V _{CC5} = 3.0 V, I _{OH} = -1.0 mA		V _{CC5} - 0.5	-	V _{CC5}	V		
	V _{CC5} = 4.5 V, I _{OH} = -5.0 mA		V _{CC5} - 0.5	-	V _{CC5}	V		
	V _{CC5} = 3.0 V, I _{OH} = -2.0 mA		V _{CC5} - 0.5	-	V _{CC5}	V		
	V _{OH4}	GPIO of V _{CC53_1}	V _{CC53_1} = 4.5 V, I _{OH} = -1.0 mA	V _{CC53_1} - 0.5	-	V _{CC53_1}	V	
			V _{CC53_1} = 3.0 V, I _{OH} = -0.5 mA	V _{CC53_1} - 0.5	-	V _{CC53_1}	V	
	V _{CC53_1} = 4.5 V, I _{OH} = -2.0 mA		V _{CC53_1} - 0.5	-	V _{CC53_1}	V		
	V _{CC53_1} = 3.0 V, I _{OH} = -1.0 mA		V _{CC53_1} - 0.5	-	V _{CC53_1}	V		
	V _{CC53_1} = 4.5 V, I _{OH} = -5.0 mA		V _{CC53_1} - 0.5	-	V _{CC53_1}	V		
	V _{CC53_1} = 3.0 V, I _{OH} = -2.0 mA		V _{CC53_1} - 0.5	-	V _{CC53_1}	V		
	V _{OH7}	GPIO of V _{CC53_2}	V _{CC53_2} = 4.5 V, I _{OH} = -1.0 mA	V _{CC53_2} - 0.5	-	V _{CC53_2}	V	
			V _{CC53_2} = 4.5 V, I _{OH} = -2.0 mA	V _{CC53_2} - 0.5	-	V _{CC53_2}	V	
	V _{CC53_2} = 3.0 V, I _{OH} = -5 mA		V _{CC53_2} - 0.5	-	V _{CC53_2}	V		
V _{CC53_2} = 3.0 V, I _{OH} = -15 mA	V _{CC53_2} - 0.5		-	V _{CC53_2}	V			
V _{OH11}	GPIO of DV _{CC}	DV _{CC} = 4.5 V, I _{OH} = -1.0 mA	DV _{CC} - 0.5	-	DV _{CC}	V		
		DV _{CC} = 3.0 V, I _{OH} = -0.5 mA	DV _{CC} - 0.5	-	DV _{CC}	V		
DV _{CC} = 4.5 V, I _{OH} = -2.0 mA		DV _{CC} - 0.5	-	DV _{CC}	V			
DV _{CC} = 3.0 V, I _{OH} = -1.0 mA		DV _{CC} - 0.5	-	DV _{CC}	V			
DV _{CC} = 4.5 V, I _{OH} = -5.0 mA		DV _{CC} - 0.5	-	DV _{CC}	V			
DV _{CC} = 3.0 V, I _{OH} = -2.0 mA		DV _{CC} - 0.5	-	DV _{CC}	V			
V _{OH14}	JTAG_TDO	V _{CC5} = 4.5 V, I _{OH} = -5.0 mA	V _{CC5} - 0.5	-	V _{CC5}	V		
		V _{CC5} = 3.0 V, I _{OH} = -2.0 mA	V _{CC5} - 0.5	-	V _{CC5}	V		

*1: For the details of GPIO group, see section 5.3 Input Level Setting/ Output Drive Capacity Setting.

(Condition: See section 7.2 Recommended Operating Conditions)

Parameter	Symbol	Pin Name*1	Conditions	Value			Unit	Remarks
				Min	Typ	Max		
"L" level output voltage	V _{OL1}	GPIO of V _{CC5} (except P202)	V _{CC5} = 4.5 V, I _{OL} = 1.0 mA	0	-	0.4	V	
			V _{CC5} = 3.0 V, I _{OL} = 0.5 mA	0	-	0.4	V	
	V _{OL2}		V _{CC5} = 4.5 V, I _{OL} = 2.0 mA	0	-	0.4	V	
			V _{CC5} = 3.0 V, I _{OL} = 1.0 mA	0	-	0.4	V	
	V _{OL3}		V _{CC5} = 4.5 V, I _{OL} = 5.0 mA	0	-	0.4	V	
			V _{CC5} = 3.0 V, I _{OL} = 2.0 mA	0	-	0.4	V	
	V _{OL4}	GPIO of V _{CC53_1}	V _{CC53_1} = 4.5 V, I _{OL} = 1.0 mA	0	-	0.4	V	
			V _{CC53_1} = 3.0 V, I _{OL} = 0.5 mA	0	-	0.4	V	
	V _{OL5}		V _{CC53_1} = 4.5 V, I _{OL} = 2.0 mA	0	-	0.4	V	
			V _{CC53_1} = 3.0 V, I _{OL} = 1.0 mA	0	-	0.4	V	
	V _{OL6}		V _{CC53_1} = 4.5 V, I _{OL} = 5.0 mA	0	-	0.4	V	
			V _{CC53_1} = 3.0 V, I _{OL} = 2.0 mA	0	-	0.4	V	
	V _{OL7}	GPIO of V _{CC53_2}	V _{CC53_2} = 4.5 V, I _{OL} = 1.0 mA	0	-	0.4	V	
	V _{OL8}		V _{CC53_2} = 4.5 V, I _{OL} = 2.0 mA	0	-	0.4	V	
	V _{OL9}		V _{CC53_2} = 3.0 V, I _{OL} = 5.0 mA	0	-	0.4	V	
V _{OL10}	V _{CC53_2} = 3.0 V, I _{OL} = 15 mA		0	-	0.4	V		
V _{OL11}	GPIO of DV _{CC}	DV _{CC} = 4.5 V, I _{OL} = 1.0 mA	0	-	0.4	V		
		DV _{CC} = 3.0 V, I _{OL} = 0.5 mA	0	-	0.4	V		
V _{OL12}		DV _{CC} = 4.5 V, I _{OL} = 2.0 mA	0	-	0.4	V		
		DV _{CC} = 3.0 V, I _{OL} = 1.0 mA	0	-	0.4	V		
V _{OL13}		DV _{CC} = 4.5 V, I _{OL} = 5.0 mA	0	-	0.4	V		
		DV _{CC} = 3.0 V, I _{OL} = 2.0 mA	0	-	0.4	V		
V _{OL14}	DV _{CC} = 4.5 V, I _{OL} = 30 mA	0	-	0.55	V			
V _{OL15}	JTAG_TDO	V _{CC5} = 4.5 V, I _{OL} = 5.0 mA	0	-	0.4	V		
		V _{CC5} = 3.0 V, I _{OL} = 2.0 mA	0	-	0.4	V		
"L" level output voltage	V _{OL16}	GPIO of V _{CC5} (GPIO shared I ² C)	V _{CC5} = 4.5 V, I _{OL} = 3.0 mA	0	-	0.4	V	
			V _{CC5} = 3.0 V, I _{OL} = 3.0 mA	0	-	0.4	V	

*1: For details of the GPIO group, see section 5.3 Input Level Setting/ Output Drive Capacity Setting.

(Condition: See section 7.2 Recommended Operating Conditions)

Parameter	Symbol	Pin Name*1	Conditions	Value			Unit	Remarks
				Min	Typ	Max		
Input leakage current	I _{IL}	ALL GPIO	V _{CC5} = V _{CC53_1} = V _{CC53_2} = DV _{CC} = AV _{CC5} = 5.5 V, V _{SS} < V _I < V _{CC5}	-5	-	5	μA	
			V _{CC5} = V _{CC53_1} = V _{CC53_2} = DV _{CC} = AV _{CC5} = 3.6 V, V _{SS} < V _I < V _{CC5}	-5	-	5	μA	
Pull-up resistor	R _{UP1}	RSTX, NMIX	V _{CC5} = 4.5 V to 5.5 V	25	50	100	kΩ	
			V _{CC5} = 3.0 V to 3.6 V	25	50	100	kΩ	
	R _{UP2}	ALL GPIO	Pull-up resistor selected V _{CC5} /V _{CC53_1} /V _{CC53_2} /DV _{CC} = 4.5 V to 5.5 V	25	50	100	kΩ	
			Pull-up resistor selected V _{CC5} /V _{CC53_1} /V _{CC53_2} /DV _{CC} = 3.0 V to 3.6 V	25	50	100	kΩ	
	R _{UP3}	JTAG_TDI, JTAG_TMS, JTAG_TCK	V _{CC5} = 4.5 V to 5.5 V	25	50	100	kΩ	
			V _{CC5} = 3.0 V to 3.6 V	25	50	100	kΩ	
Pull-down resistor	R _{down1}	ALL GPIO	Pull-down resistor selected V _{CC5} /V _{CC53_1} /V _{CC53_2} /DV _{CC} = 4.5 V to 5.5 V	25	50	100	kΩ	
			Pull-down resistor Selected V _{CC5} = 3.0 V to 3.6 V	25	50	100	kΩ	
	R _{down2}	JTAG_NTRST	V _{CC5} = 4.5 V to 5.5 V	25	50	100	kΩ	
			V _{CC5} = 3.0 V to 3.6 V	25	50	100	kΩ	
Input capacitance	C _{IN1}	GPIO (except GPIO of DV _{CC})	-	-	5	15	pF	
	C _{IN2}	GPIO of DV _{CC}	-	-	15	45	pF	
High current output drive capacity Phase-to-phase deviation1	ΔV _{OH14}	GPIO of DV _{CC}	DV _{CC} = 4.5 V I _{OH} = -30 mA Maximum deviation of V _{OH14}	-	-	90	mV	*2
High current output drive capacity Phase-to-phase deviation2	ΔV _{OL14}	GPIO of DV _{CC}	DV _{CC} = 4.5 V I _{OL} = 30 mA Maximum deviation of V _{OL14}	-	-	90	mV	*2
LCD divider resistor	R _{LCD}	V0 to V1, V1 to V2, V2 to V3	-	6.25	12.5	25	kΩ	
COM0 to COM3 output impedance	R _{VCOM}	COM _m (m = 0 to 3)	-	-	-	4.5	kΩ	
SEG0 to SEG31 output impedance	R _{VSEG}	SEG _n (n = 0 to 31)	-	-	-	17	kΩ	
LCD leak current	I _{LCDC}	V0 to V3, COM _m (m = 0 to 3) SEG _n (n = 0 to 31)	T _A = +25 °C	-0.5	-	0.5	μA	

*1: For the details of GPIO group, see section 5.3 Input Level Setting/ Output Drive Capacity Setting.

*2: If PWM1P0/PWM1M0/PWM2P0/PWM2M0 of ch.0 is turned on simultaneously, the maximum deviation of V_{OH14}/V_{OL14} for each pin is defined. Same for other channels.

7.3.2 Power Supply Current

(1) Power Supply Current for S6J3360 Series

(Condition: See section 7.2 Recommended Operating Conditions)

Parameter	Symbol	Pin Name	Conditions	Value			Unit	Remarks	
				Min	Typ	Max			
Power supply current	I _{CC5}	V _{CC5}	Normal operation	-	70	164	mA	Operating at 132 MHz, HPM 33 MHz, Peripheral 33 MHz	
			Work Flash write/erase	-	81	174	mA		
			TC Flash write/erase	-	75	170	mA		
			Normal operation	-	68	162	mA		Operating at 80 MHz, HPM 40 MHz, Peripheral 40 MHz
			Work Flash write/erase	-	79	172	mA		
			TC Flash write/erase	-	72	166	mA		
	I _{CCP}		PWU mode (Shutdown)	-	56	130	μA	T _A = 25 °C (PWU operation cycle 16 ms)	
				-	50	120	μA	T _A = 25 °C (PWU operation cycle 32 ms)	
	I _{CC52}		Timer mode (Shutdown ^{*1})	-	330	390	μA	T _A = 25 °C, When using 4 MHz crystal for main oscillator. C _L = 10 pF, MCGAIN = 0b00 (4 MHz)	
				-	410	470	μA	T _A = 25 °C, When using 8 MHz crystal for main oscillator. C _L = 10 pF, MCGAIN = 0b01 (8 MHz)	
				-	55	100	μA	T _A = 25 °C, When using Slow-CR oscillation.	
				-	60	120	μA	T _A = 25 °C, When using 32 kHz sub oscillation.	
	I _{CC52}	Stop mode (Shutdown ^{*1})	-	55	95	μA	T _A = 25 °C		

*1: BackupRAM 24 KB retention.

(2) Power Supply Current for S6J3370 Series

(Condition: See section 7.2 Recommended Operating Conditions)

Parameter	Symbol	Pin Name	Conditions	Value			Unit	Remarks	
				Min	Typ	Max			
Power supply current	I _{CC5}	V _{CC5}	Normal operation	-	56	148	mA	Operating at 132 MHz, HPM 33 MHz, Peripheral 33 MHz	
			Work Flash write/erase	-	67	158	mA		
			TC Flash write/erase	-	62	153	mA		
			Normal operation	-	54	146	mA		Operating at 80 MHz, HPM 40 MHz, Peripheral 40 MHz
			Work Flash write/erase	-	65	156	mA		
			TC Flash write/erase	-	59	150	mA		
	I _{CCP}		PWU mode (Shutdown)	-	56	130	μA	T _A = 25 °C (PWU operation cycle 16 ms)	
				-	50	120	μA	T _A = 25 °C (PWU operation cycle 32 ms)	
	I _{CC52}		Timer mode (Shutdown*1)	-	330	390	μA	T _A = 25 °C, When using 4 MHz crystal for main oscillator. C _L = 10 pF, MCGAIN = 0b00 (4 MHz)	
				-	410	470	μA	T _A = 25 °C, When using 8 MHz crystal for main oscillator. C _L = 10 pF, MCGAIN = 0b01 (8 MHz)	
				-	55	100	μA	T _A = 25 °C, When using Slow-CR oscillation.	
				-	60	120	μA	T _A = 25 °C, When using 32 kHz sub oscillation.	
	I _{CC52}	Stop mode (Shutdown*1)	-	55	95	μA	T _A = 25 °C		

*1: BackupRAM 24 KB retention.

7.4 AC Characteristics

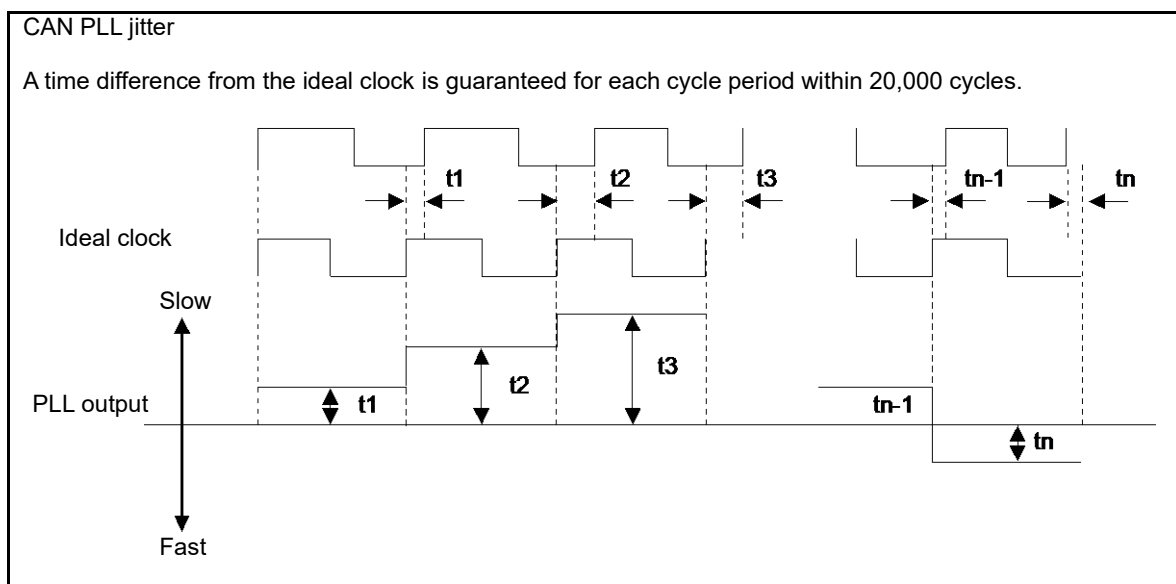
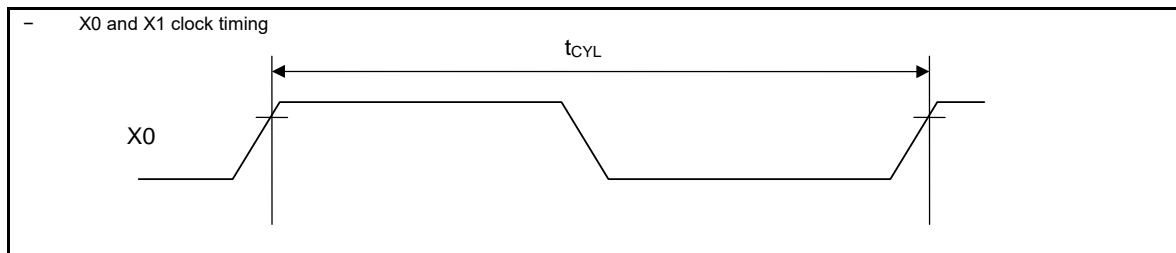
7.4.1 Source Clock Timing

(Condition: See section 7.2 Recommended Operating Conditions)

Parameter	Symbol	Pin Name	Conditions	Value			Unit	Remarks
				Min	Typ	Max		
Source oscillation clock frequency	F_C	X0, X1	-	3.6	4	16	MHz	
Source oscillation clock cycle time	t_{CYL}	X0, X1	-	62.5	250	277.8	ns	
CAN PLL jitter (when locked)	t_{PJ}	-	-	-10	-	10	ns	
Internal Slow CR oscillation frequency	F_{CRS}	-	-	50	100	150	kHz	
Internal Fast CR oscillation frequency	F_{CRF}	-	-	2.4	4	5.61	MHz	Before trim
				3.2	4	4.81	MHz	After trim

Notes:

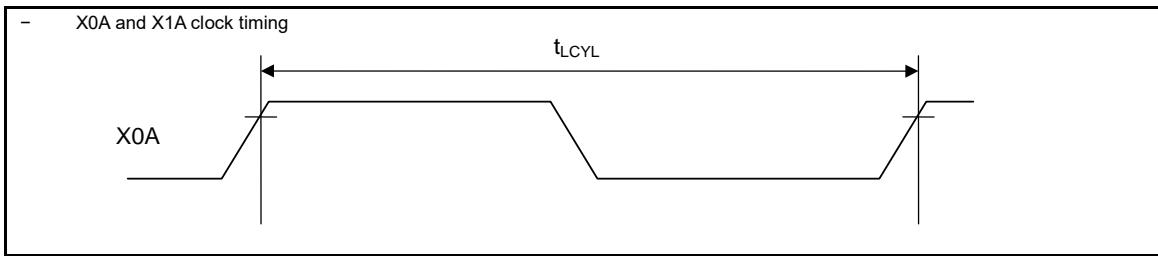
- The maximum/minimum values have been standardized with the main clock and PLL clock in use.
- Jitter of source oscillator must be smaller than 3000 ppm.
- Enough evaluation and adjustment are recommended using oscillator on your system board.



7.4.2 Sub Clock Timing

(Condition: See 7.2 Recommended Operating Conditions)

Parameter	Symbol	Pin Name	Conditions	Value			Unit	Remarks
				Min	Typ	Max		
Source oscillation clock frequency	F _{CL}	X0A, X1A	-	-	32.768	-	kHz	
Source oscillation clock cycle time	t _{LCYL}	X0A, X1A	-	-	30.52	-	μs	



7.4.3 Internal Clock Timing

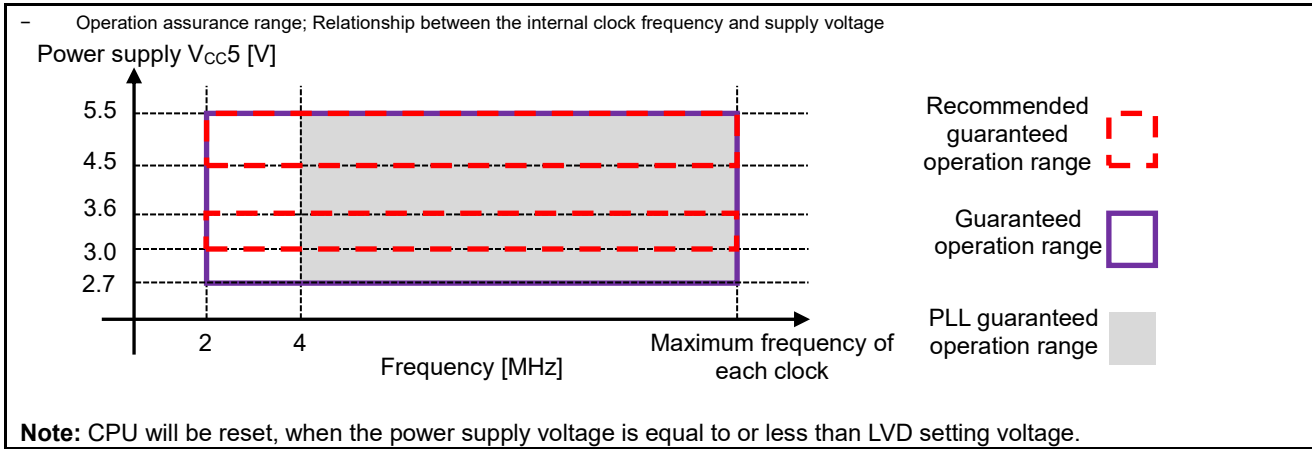
- This section shows the target characteristics for internal clock timing at the current stage.
- Corresponding functions for these clocks are described in Chapter 5: Clock Configuration of the S6J3360/S6J3370 series hardware manual.

(Condition: See section 7.2 Recommended Operating Conditions)

Parameter	Symbol	Pin Name	Conditions	Value				Unit	Remarks
				Min	Typ	Max*1	Max*2		
Internal clock frequency	FSSCG0out	-	-	200	-	320	320	MHz	
	FPLL0out	-	-	200	-	320	320	MHz	
	FExpandPLL0out	-	-	200	-	280	280	MHz	
	FExpandPLL1out	-	-	200	-	480	480	MHz	
	FExpandPLL2out	-	-	200	-	400	400	MHz	
	FCLK_CPU	-	-	-	-	132	80	MHz	
	FCLK_SHE	-	-	-	-	33	40	MHz	
	FCLK_FCLK	-	-	-	-	66	80	MHz	
	FCLK_ATB	-	-	-	-	66	40	MHz	
	FCLK_DBG	-	-	-	-	66	40	MHz	
	FCLK_HPM	-	-	-	-	33	40	MHz	
	FCLK_DMA	-	-	-	-	33	40	MHz	
	FCLK_MEMC	-	-	-	-	33	40	MHz	
	FCLK_SYSC1	-	-	-	-	33	40	MHz	
	FCLK_LLPBM	-	-	-	-	132	80	MHz	
	FCLK_LCP	-	-	-	-	66	80	MHz	
	FCLK_LCP0	-	-	-	-	33	40	MHz	
	FCLK_LCP0A	-	-	-	-	40	40	MHz	
	FCLK_LCP1	-	-	-	-	33	40	MHz	
	FCLK_LCP1A	-	-	-	-	40	40	MHz	
	FCLK_TRC	-	-	-	-	66	40	MHz	
	FCLK_SYSC0H	-	-	-	-	33	40	MHz	
	FCLK_COMH	-	-	-	-	33	40	MHz	
	FCLK_CAN	-	-	-	-	48	48	MHz	
	FCLK_JTAG	-	-	-	-	20	20	MHz	Input clock frequency for JTAG_TCK
	FCLK_CLKO	-	-	-	-	10	10	MHz	Output clock frequency for SYSC0_CLK_0/1
FExpand_CLK_CD0	-	-	-	-	140	140	MHz		
FExpand_CLK_CD1	-	-	-	-	120	120	MHz		
FExpand_CLK_CD1A	-	-	-	-	120	120	MHz		
FExpand_CLK_CD1B	-	-	-	-	60	60	MHz		
FExpand_CLK_CD2	-	-	-	-	200	200	MHz		

*1: Target maximum clock frequencies when CPU clock is 132 MHz

*2: Target maximum clock frequencies when CPU clock is 80 MHz



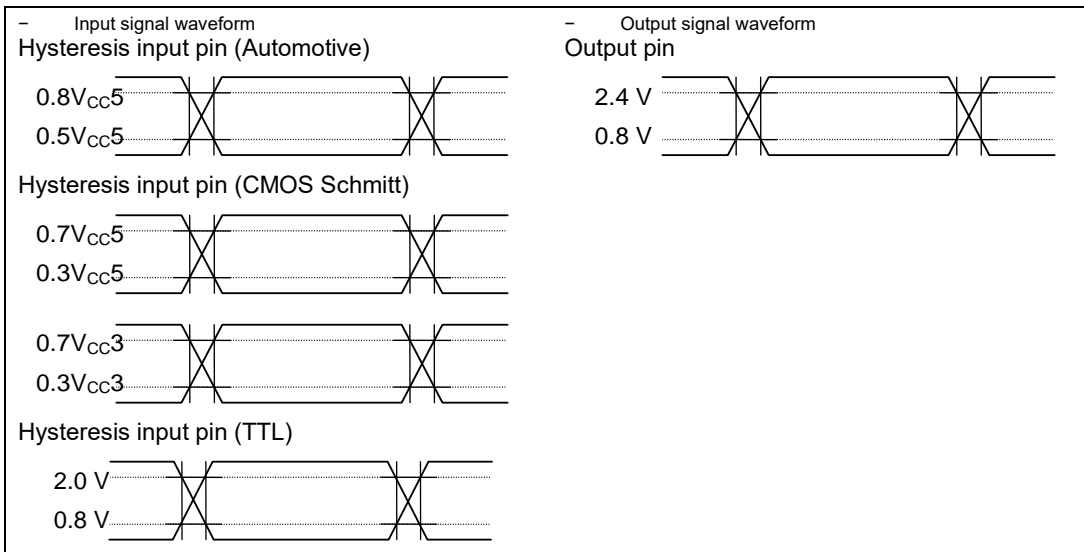
- Relationship between the oscillation clock frequency and internal clock frequency

Oscillation clock frequency [MHz]	Internal Operation Clock Frequency									
	Main Clock	PLL Clock							Multiplied by 20	Multiplied by 33
		Multiplied by 1	Multiplied by 2	Multiplied by 3	Multiplied by 4	...				
4	2	4	8	12	16	...	80	132		

- Oscillation circuit example

Note:
For the configuration of an oscillation circuit, request the oscillator manufacturer to perform a circuit matching evaluation before starting design.

AC characteristics are specified by the following measurement reference voltage values.

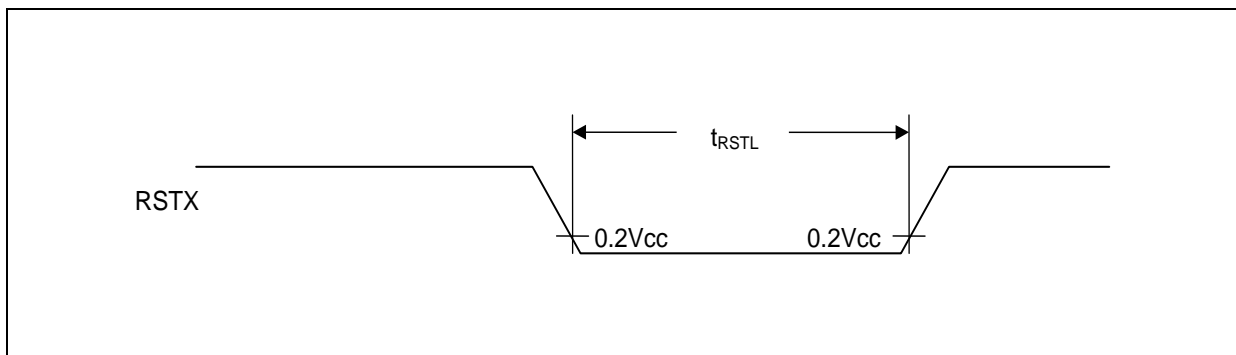


7.4.4 Reset Input

(Condition: See section 7.2 Recommended Operating Conditions)

Parameter	Symbol	Pin Name	Conditions	Value		Unit	Remarks
				Min	Max		
Reset input time	t_{RSTL}	RSTX	-	10	-	μs	
Reset input pulse filtered				-	1	μs	*1

*1: Reset input pulse is filtered up to 1 μs . Filtering of input pulse more than 1 μs is not guaranteed.



7.4.5 Power-on Conditions

7.4.5.1 Power-on Conditions

(Condition: See section 7.2 Recommended Operating Conditions)

Parameter	Symbol	Pin Name	Conditions	Value			Unit	Remarks
				Min	Typ	Max		
Level detection voltage	-	V _{CC5}	-	2.2	2.4	2.6	V	
Level detection hysteresis width	-	V _{CC5}	-	-	100	-	mV	
Level detection time	-	-	-	-	-	40	μs	*1
Power off time	t _{OFF}	V _{CC5}	-	100	-	-	μs	*2
Power ramp rate	dV/dt	V _{CC5}	V _{CC5} : 1.5 V to 2.6 V	-	-	1	V/μs	*3
Maximum ramp rate guaranteed to not generate power-on reset	dV/dt	V _{CC5}	V _{CC5} : Between 2.7 V and 4.5 V	-	-	50	mV/μs	*4

*1: This specification is at 1 V/μs of power ramp rate.

*2: V_{CC5} must be held below 1.5 V for a minimum period of t_{OFF}.

*3: Power ramp rate must be 1 V/μs or less from 1.5 V to 2.6 V.

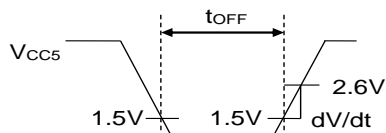
Power-on can detect by satisfying power ramp rate and power off time.

*4: The power ramp rate specification indicates power supply fluctuation after power-on detection. When V_{CC5} voltage is between 2.7 V and 4.5 V, the power supply fluctuation is below 50 mV/μs, the detection of power-on is suppressed. The power-on does not detect any power fluctuation between 4.5 V and 5.5 V.

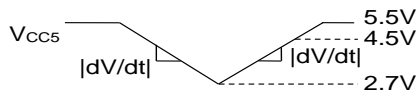
Notes:

When using the S6J3360/S6J3370 series, *2 and *3 must be satisfied. When neither *2 nor *3 can be satisfied, assert external reset (RSTX) at power-up and any brownout event.

• Power off time, Power ramp rate



• Maximum ramp rate guaranteed to not generate power-on reset



7.4.5.2 Power Supply Sequence

(Condition: See section 7.2 Recommended Operating Conditions)

Parameter	Symbol	Pin Name	Value			Unit	Remarks
			Min	Typ	Max		
AV _{CC5} power on delay from V _{CC5}	t _{d_avcc5}	AV _{CC5}	0	-	-	ms	AV _{CC5} power on should be simultaneous or after V _{CC5} power on.
DV _{CC} power on delay from V _{CC5}	t _{d_dvcc}	DV _{CC}	0	-	-	ms	DV _{CC} power on should be simultaneous or after V _{CC5} power on. ^{*1}
			-	-	-	ms	No requirement for power supply sequence. ^{*2}
V _{CC53_1} power on delay from V _{CC5}	t _{d_vcc531}	V _{CC53_1}	0	-	-	ms	V _{CC53_1} power on should be simultaneous or after V _{CC5} power on.
V _{CC53_2} power on delay from V _{CC5}	t _{d_vcc532}	V _{CC53_2}	0	-	-	ms	V _{CC53_2} power on should be simultaneous or after V _{CC5} power on.
V _{CC5} power off delay from AV _{CC5}	t _{doff_avcc5}	AV _{CC5}	0	-	-	ms	AV _{CC5} power off should be simultaneous or before V _{CC5} power off.
V _{CC5} power off delay from DV _{CC}	t _{doff_dvcc}	DV _{CC}	0	-	-	ms	DV _{CC} power off should be simultaneous or before V _{CC5} power off. ^{*1}
			-	-	-	ms	No requirement for power supply sequence. ^{*2}
V _{CC5} power off delay from V _{CC53_1}	t _{doff_vcc531}	V _{CC53_1}	0	-	-	ms	V _{CC53_1} power off should be simultaneous or before V _{CC5} power off.
V _{CC5} power off delay from V _{CC53_2}	t _{doff_vcc532}	V _{CC53_2}	0	-	-	ms	V _{CC53_2} power off should be simultaneous or before V _{CC5} power off.

*1: For S6J33xxxS or S6J33xxxT or S6J33xxxU or S6J33xxxV part number

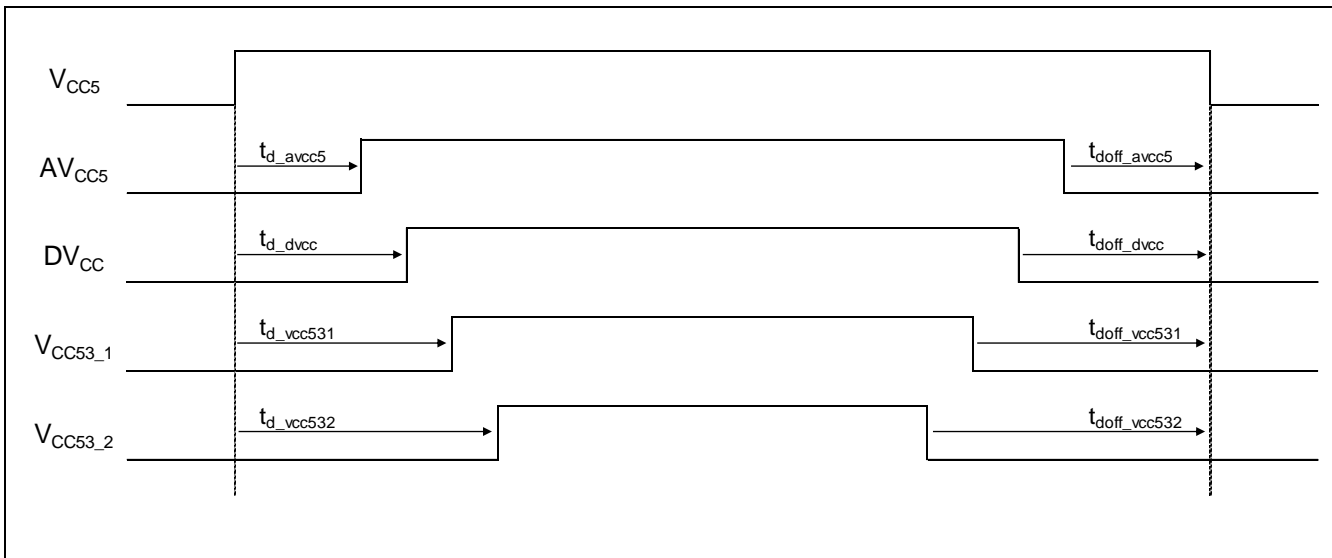
*2: For S6J33xxxA or S6J33xxxE or S6J33xxxC or S6J33xxxG part number

Notes:

Satisfy absolute maximum rating of power supply voltage on 7.1 Absolute Maximum Ratings.

This product series has five different power supply ports. The power supply sequence of them is specified with the power on delay time from V_{CC5}.

The power off sequence is reverse of the power on sequence.



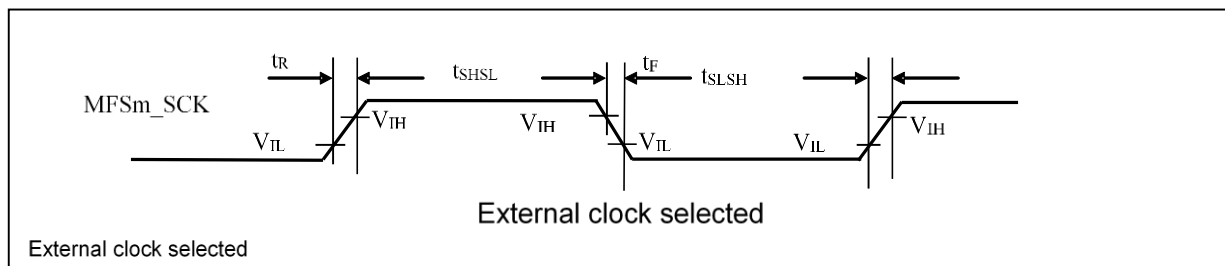
7.4.6 Multi-Function Serial
7.4.6.1 UART (Asynchronous Serial Interface) Timing (SMR:MD2-0 = 0b000, 0b001)
External Clock Selected (BGR:EXT = 1)

(Condition: See section 7.2 Recommended Operating Conditions)

Parameter	Symbol	Pin Name	Conditions	Value		Unit	Remarks
				Min	Max		
Serial clock "L" pulse width	t_{SLSH}	MFSm_SCK_x ^{*2} (m = 0 to 11)	(C _L = 20 pF, I _{OH} = -2 mA, I _{OL} = 2 mA)	$t_{CLK_LCPnA}^{*1} + 10$	-	ns	
Serial clock "H" pulse width	t_{SHSL}	MFSm_SCK_x ^{*2} (m = 0 to 11)		$t_{CLK_LCPnA}^{*1} + 10$	-	ns	
SCK falling time	t_F	MFSm_SCK_x ^{*2} (m = 0 to 11)		-	5	ns	
SCK rising time	t_R	MFSm_SCK_x ^{*2} (m = 0 to 11)		-	5	ns	

*1: n = 0: ch.0 to ch.7, n = 1: ch.8 to ch.11.

*2: For the details of x value, see section 5 Pin Descriptions.



7.4.6.2 CSIO Timing (SMR:MD2-0 = 0b010)

(1) Normal Synchronous Transfer (SCR:SPI = 0) and Mark Level "H" of Serial Clock Output (SMR:SCINV = 0)

(Condition: See section 7.2 Recommended Operating Conditions)

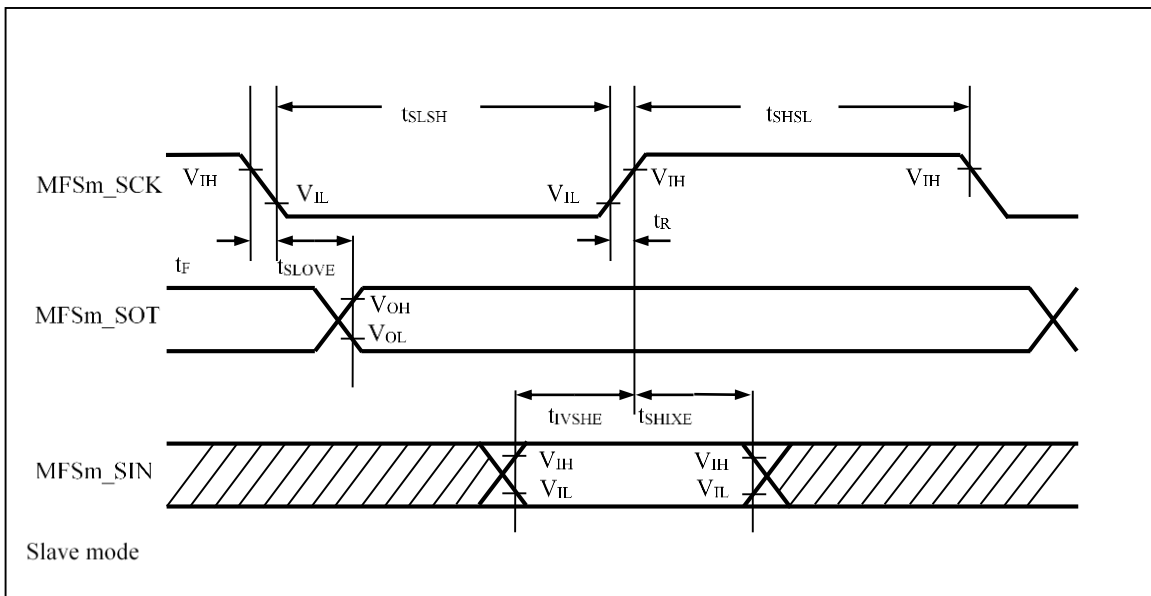
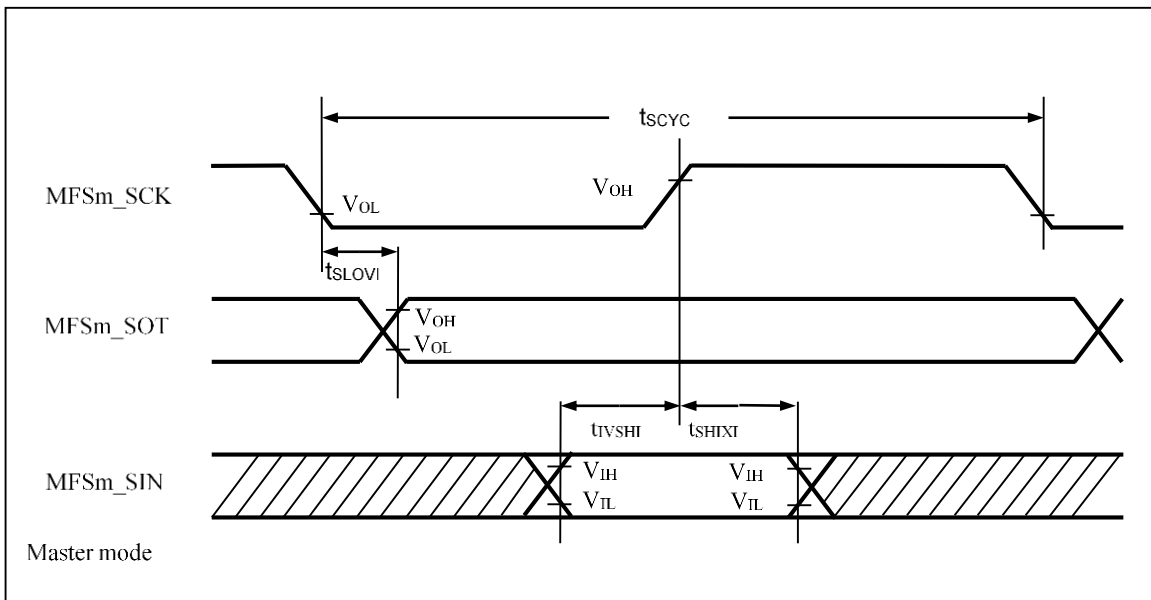
Parameter	Symbol	Pin Name	Conditions	Value		Unit	Remarks
				Min	Max		
Serial clock cycle time	t_{SCYC}	MFSm_SCK_x ^{*2} (m = 0 to 11)	Master mode (C _L = 20 pF, I _{OH} = -2 mA, I _{OL} = 2 mA)	4t _{CLK_LCPnA} ^{*1}	-	ns	
SCK ↓ → SOT delay time	t_{SLOVI}	MFSm_SCK_x ^{*2} MFSm_SOT_x ^{*2} (m = 0 to 11)		-30	30	ns	
Valid SIN → SCK ↑ setup time	t_{IVSHI}	MFSm_SCK_x ^{*2} MFSm_SIN_x ^{*2} (m = 0 to 11)		31	-	ns	
SCK ↑ → Valid SIN hold time	t_{SHIXI}	MFSm_SCK_x ^{*2} MFSm_SIN_x ^{*2} (m = 0 to 11)		0	-	ns	
Serial clock "H" pulse width	t_{SHSL}	MFSm_SCK_x ^{*2} (m = 0 to 11)	Slave mode (C _L = 20 pF, I _{OH} = -2 mA, I _{OL} = 2 mA)	2t _{CLK_LCPnA} ^{*1}	-	ns	
Serial clock "L" pulse width	t_{SLSH}	MFSm_SCK_x ^{*2} (m = 0 to 11)		2t _{CLK_LCPnA} ^{*1}	-	ns	
SCK ↓ → SOT delay time	t_{SLOVE}	MFSm_SCK_x ^{*2} MFSm_SOT_x ^{*2} (m = 0 to 11)		-	30	ns	
Valid SIN → SCK ↑ setup time	t_{IVSHE}	MFSm_SCK_x ^{*2} MFSm_SIN_x ^{*2} (m = 0 to 11)		10	-	ns	
SCK ↑ → Valid SIN hold time	t_{SHIXE}	MFSm_SCK_x ^{*2} MFSm_SIN_x ^{*2} (m = 0 to 11)		20	-	ns	
SCK falling time	t_F	MFSm_SCK_x ^{*2} (m = 0 to 11)		-	5	ns	
SCK rising time	t_R	MFSm_SCK_x ^{*2} (m = 0 to 11)		-	5	ns	

*1: n = 0: ch.0 to ch.7, n = 1: ch.8 to ch.11.

*2: For the details of x value, see section 5 Pin Descriptions.

Notes:

- This table provides the alternate current standard for CLK synchronous mode.
- C_L is the load capability value connected to the pin during testing.
- The maximum baud rate is limited by the internal operating clock used and other parameters. For details, see the hardware manual.



(2) Normal Synchronous Transfer (SCR:SPI = 0) and Mark Level "L" of Serial Clock Output (SMR:SCINV = 1)

(Condition: See section 7.2 Recommended Operating Conditions)

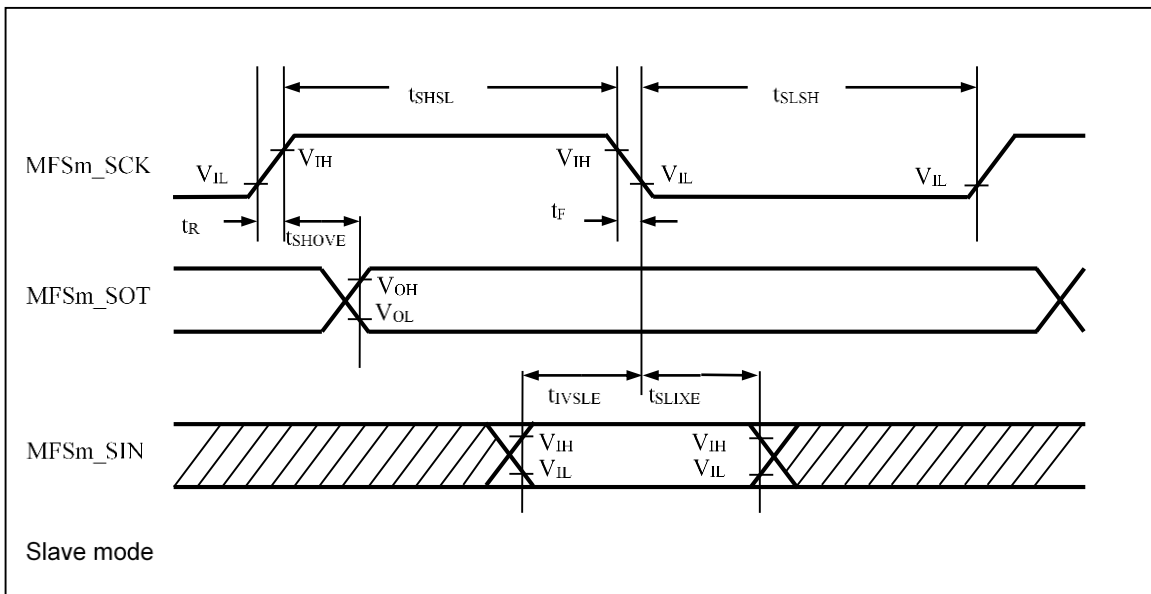
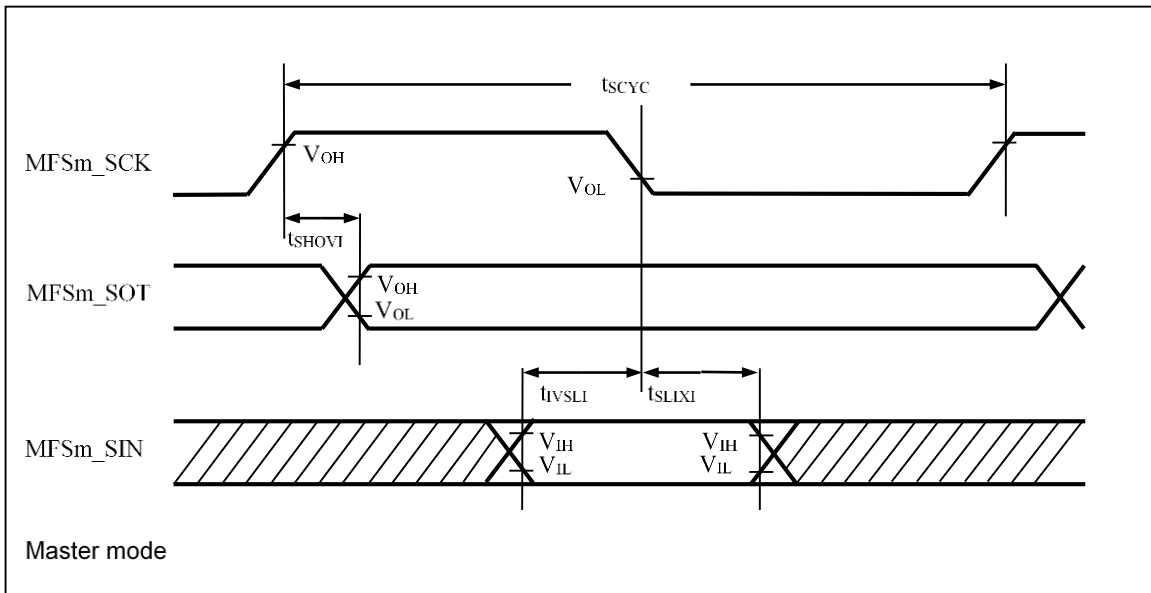
Parameter	Symbol	Pin Name	Conditions	Value		Unit	Remarks
				Min	Max		
Serial clock cycle time	t _{SCYC}	MFSm_SCK_x ^{*2} (m = 0 to 11)	Master mode (C _L = 20 pF, I _{OH} = -2 mA, I _{OL} = 2 mA)	4t _{CLK_LCPnA} ^{*1}	-	ns	
SCK ↑ → SOT delay time	t _{SHOVI}	MFSm_SCK_x ^{*2} MFSm_SOT_x ^{*2} (m = 0 to 11)		-30	30	ns	
Valid SIN → SCK ↓ setup time	t _{IVSLI}	MFSm_SCK_x ^{*2} MFSm_SIN_x ^{*2} (m = 0 to 11)		31	-	ns	
SCK ↓ → Valid SIN hold time	t _{SLIXI}	MFSm_SCK_x ^{*2} MFSm_SIN_x ^{*2} (m = 0 to 11)		0	-	ns	
Serial clock "H" pulse width	t _{SHSL}	MFSm_SCK_x ^{*2} (m = 0 to 11)	Slave mode (C _L = 20 pF, I _{OH} = -2 mA, I _{OL} = 2 mA)	2t _{CLK_LCPnA} ^{*1}	-	ns	
Serial clock "L" pulse width	t _{SLSH}	MFSm_SCK_x ^{*2} (m = 0 to 11)		2t _{CLK_LCPnA} ^{*1}	-	ns	
SCK ↑ → SOT delay time	t _{SHOVE}	MFSm_SCK_x ^{*2} MFSm_SOT_x ^{*2} (m = 0 to 11)		-	30	ns	
Valid SIN → SCK ↓ setup time	t _{IVSLE}	MFSm_SCK_x ^{*2} MFSm_SIN_x ^{*2} (m = 0 to 11)		10	-	ns	
SCK ↓ → Valid SIN hold time	t _{SLIXE}	MFSm_SCK_x ^{*2} MFSm_SIN_x ^{*2} (m = 0 to 11)		20	-	ns	
SCK falling time	t _F	MFSm_SCK_x ^{*2} (m = 0 to 11)		-	5	ns	
SCK rising time	t _R	MFSm_SCK_x ^{*2} (m = 0 to 11)		-	5	ns	

*1: n = 0: ch.0 to ch.7, n = 1: ch.8 to ch.11

*2: For the details of x value, see section 5 Pin Descriptions.

Notes:

- This table provides the alternate current standard for CLK synchronous mode.
- C_L is the load capability value connected to the pin during testing.
- The maximum baud rate is limited by the internal operating clock used and other parameters. For details, see the hardware manual.



(3) SPI Supported (SCR:SPI = 1), and Mark Level "H" of Serial Clock Output (SMR:SCINV = 0)

(Condition: See section 7.2 Recommended Operating Conditions)

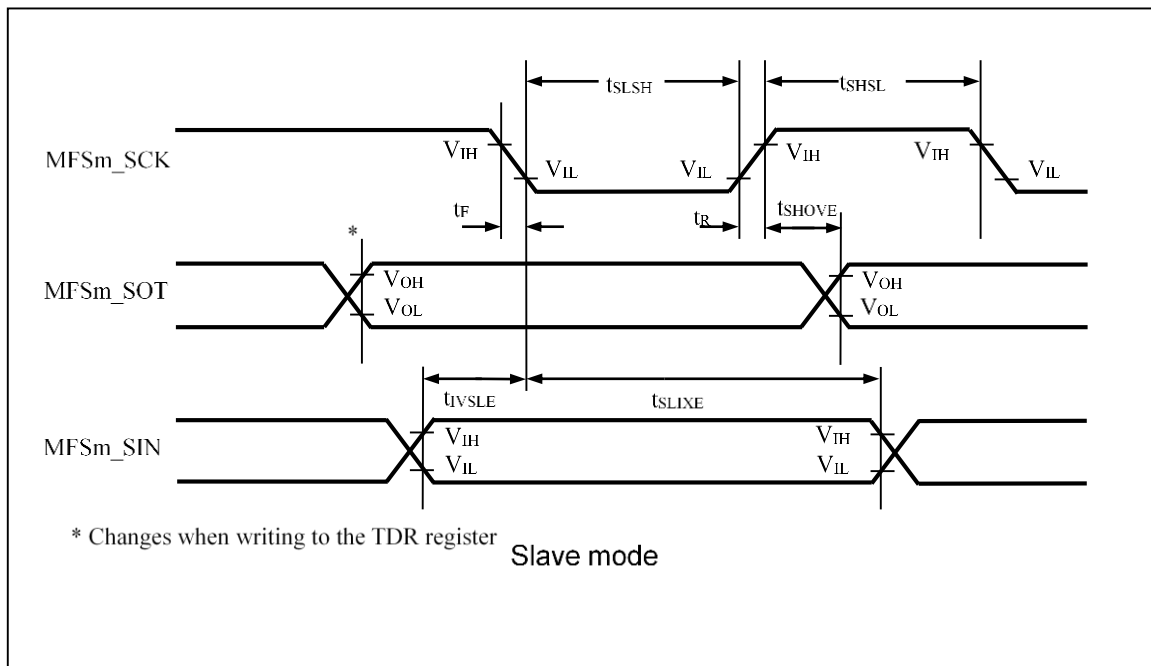
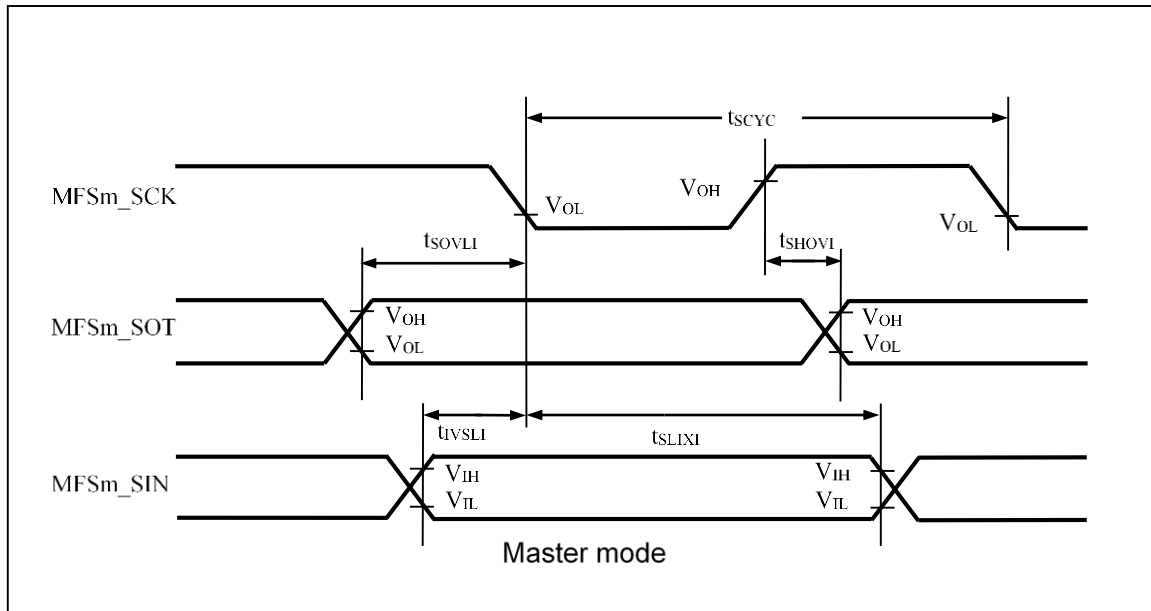
Parameter	Symbol	Pin Name	Conditions	Value		Unit	Remarks
				Min	Max		
Serial clock cycle time	t _{SCYC}	MFSm_SCK_x ^{*2} (m = 0 to 11)	Master mode (C _L = 20 pF, I _{OH} = -2 mA, I _{OL} = 2 mA)	4t _{CLK_LCPnA} ^{*1}	-	ns	
SCK ↑ → SOT delay time	t _{SHOVI}	MFSm_SCK_x ^{*2} MFSm_SOT_x ^{*2} (m = 0 to 11)		-30	30	ns	
Valid SIN → SCK ↓ setup time	t _{IVSLI}	MFSm_SCK_x ^{*2} MFSm_SIN_x ^{*2} (m = 0 to 11)		31	-	ns	
SCK ↓ → Valid SIN hold time	t _{SLIXI}	MFSm_SCK_x ^{*2} MFSm_SIN_x ^{*2} (m = 0 to 11)		0	-	ns	
SOT → SCK ↓ delay time	t _{SOVLI}	MFSm_SCK_x ^{*2} MFSm_SOT_x ^{*2} (m = 0 to 11)		2t _{CLK_LCPnA} ^{*1} - 30	-	ns	
Serial clock "H" pulse width	t _{SHSL}	MFSm_SCK_x ^{*2} (m = 0 to 11)		2t _{CLK_LCPnA} ^{*1}	-	ns	
Serial clock "L" pulse width	t _{SLSH}	MFSm_SCK_x ^{*2} (m = 0 to 11)	2t _{CLK_LCPnA} ^{*1}	-	ns		
SCK ↑ → SOT delay time	t _{SHOVE}	MFSm_SCK_x ^{*2} MFSm_SOT_x ^{*2} (m = 0 to 11)	Slave mode (C _L = 20 pF, I _{OH} = -2 mA, I _{OL} = 2 mA)	-	30	ns	
Valid SIN → SCK ↓ setup time	t _{IVSLE}	MFSm_SCK_x ^{*2} MFSm_SIN_x ^{*2} (m = 0 to 11)		10	-	ns	
SCK ↓ → Valid SIN hold time	t _{SLIXE}	MFSm_SCK_x ^{*2} MFSm_SIN_x ^{*2} (m = 0 to 11)		20	-	ns	
SCK falling time	t _F	MFSm_SCK_x ^{*2} (m = 0 to 11)		-	5	ns	
SCK rising time	t _R	MFSm_SCK_x ^{*2} (m = 0 to 11)		-	5	ns	

*1: n = 0: ch.0 to ch.7, n = 1: ch.8 to ch.11

*2: For the details of x value, see section 5 Pin Descriptions.

Notes:

- This table provides the alternate current standard for CLK synchronous mode.
- C_L is the load capability value connected to the pin during testing.
- The maximum baud rate is limited by the internal operating clock used and other parameters. For details, see the hardware manual.



(4) SPI Supported (SCR:SPI = 1), and Mark Level "L" of Serial Clock Output (SMR:SCINV = 1)

(Condition: See section 7.2 Recommended Operating Conditions)

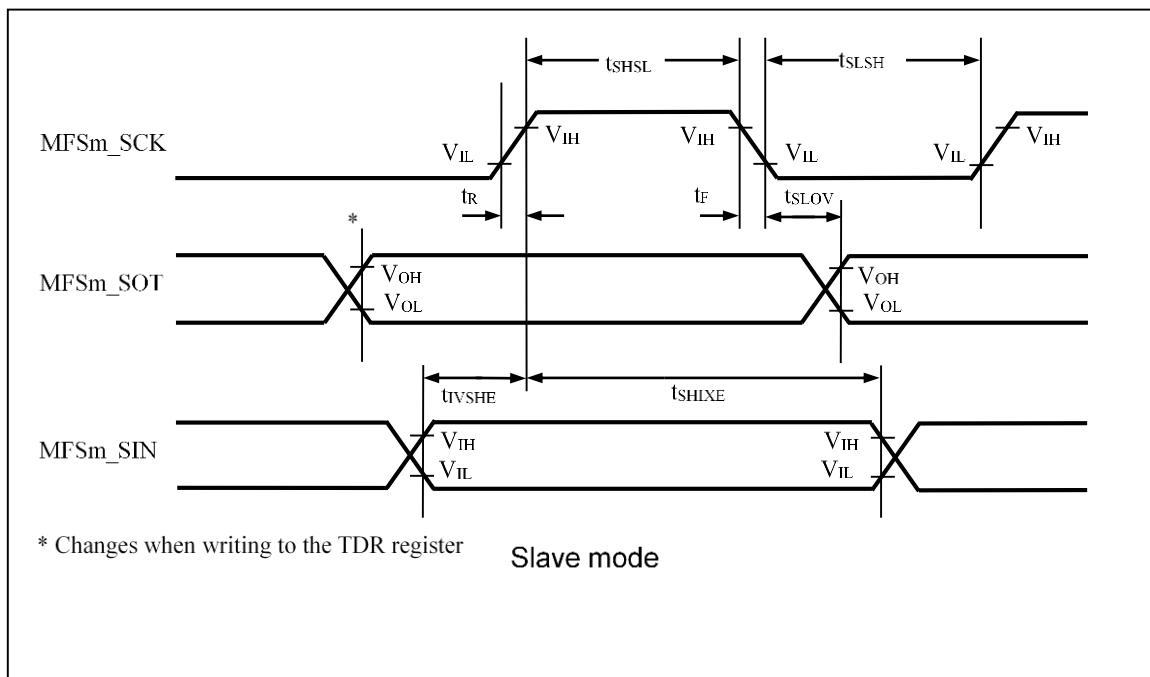
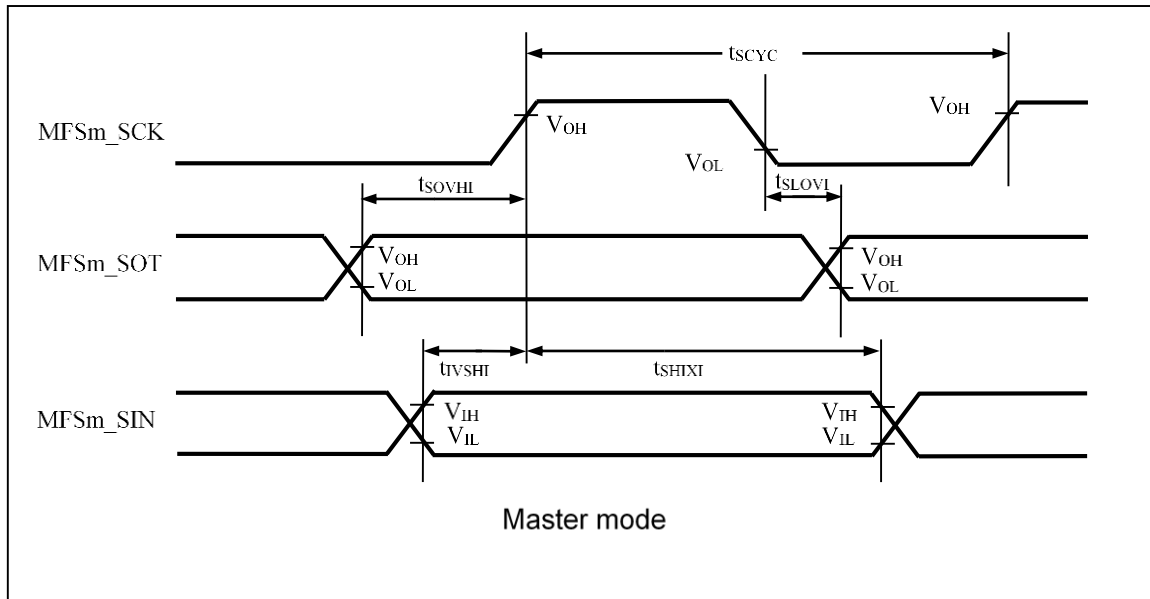
Parameter	Symbol	Pin Name	Conditions	Value		Unit	Remarks
				Min	Max		
Serial clock cycle time	t _{SCYC}	MFSm_SCK_x ^{*2} (m = 0 to 11)	Master mode (C _L = 20 pF, I _{OH} = -2 mA, I _{OL} = 2 mA)	4t _{CLK_LCPnA} ^{*1}	-	ns	
SCK ↓ -> SOT delay time	t _{SLOVI}	MFSm_SCK_x ^{*2} MFSm_SOT_x ^{*2} (m = 0 to 11)		-30	30	ns	
Valid SIN -> SCK ↑ setup time	t _{IVSHI}	MFSm_SCK_x ^{*2} MFSm_SIN_x ^{*2} (m = 0 to 11)		31	-	ns	
SCK ↑ -> Valid SIN hold time	t _{SHIXI}	MFSm_SCK_x ^{*2} MFSm_SIN_x ^{*2} (m = 0 to 11)		0	-	ns	
SOT -> SCK ↑ delay time	t _{SOVHI}	MFSm_SCK_x ^{*2} MFSm_SOT_x ^{*2} (m = 0 to 11)		2t _{CLK_LCPnA} ^{*1} - 30	-	ns	
Serial clock "H" pulse width	t _{SHSL}	MFSm_SCK_x ^{*2} (m = 0 to 11)		2t _{CLK_LCPnA} ^{*1}	-	ns	
Serial clock "L" pulse width	t _{SLSH}	MFSm_SCK_x ^{*2} (m = 0 to 11)	2t _{CLK_LCPnA} ^{*1}	-	ns		
SCK ↓ -> SOT delay time	t _{SLOVE}	MFSm_SCK_x ^{*2} MFSm_SOT_x ^{*2} (m = 0 to 11)	Slave mode (C _L = 20 pF, I _{OH} = -2 mA, I _{OL} = 2 mA)	-	30	ns	
Valid SIN -> SCK ↑ setup time	t _{IVSHE}	MFSm_SCK_x ^{*2} MFSm_SIN_x ^{*2} (m = 0 to 11)		10	-	ns	
SCK ↑ -> Valid SIN hold time	t _{SHIXE}	MFSm_SCK_x ^{*2} MFSm_SIN_x ^{*2} (m = 0 to 11)		20	-	ns	
SCK falling time	t _F	MFSm_SCK_x ^{*2} (m = 0 to 11)		-	5	ns	
SCK rising time	t _R	MFSm_SCK_x ^{*2} (m = 0 to 11)		-	5	ns	

*1: n = 0: ch.0 to ch.7, n = 1: ch.8 to ch.11.

*2: For the details of x value, see section 5 Pin Descriptions.

Notes:

- This table provides the alternate current standard for CLK synchronous mode.
- C_L is the load capability value connected to the pin during testing.
- The maximum baud rate is limited by the internal operating clock used and other parameters. For details, see the hardware manual.



(5) Serial Chip Select Used (SCSCR:CSEN = 1)

- Mark level "H" of serial clock output (SMR, SCSFR:SCINV = 0)
- Inactive level "H" of serial chip select (SCSCR, SCSFR:CSLVL = 1)

(Condition: See section 7.2 Recommended Operating Conditions)

Parameter	Symbol	Pin Name	Conditions	Value		Unit	Remarks
				Min	Max		
SCS ↓ → SCK ↓ setup time	t _{CSSU}	MFSm_SCK_x ^{*5} MFSm_CSy_x ^{*5} (m = 0 to 11)	Master mode (C _L = 20 pF, I _{OH} = -2 mA, I _{OL} = 2 mA)	t _{CSSU} ^{*1} - 50	-	ns	
SCK ↑ → SCS ↑ hold time	t _{CSDH}	MFSm_SCK_x ^{*5} MFSm_CSy_x ^{*5} (m = 0 to 11)		t _{CSDH} ^{*2} + 0	-	ns	
SCS deselect time	t _{CSDI}	FSm_CSy_x ^{*5} (m = 0 to 11)		t _{CSDS} ^{*3} - 50 + 5t _{CLK_LCPnA} ^{*4}	-	ns	
SCS ↓ → SCK ↓ setup time	t _{CSSS}	MFSm_SCK_x ^{*5} MFSm_CSy_x ^{*5} (m = 0 to 11)	Slave mode (C _L = 20 pF, I _{OH} = -2 mA, I _{OL} = 2 mA)	3t _{CLK_LCPnA} ^{*4} + 30	-	ns	
SCK ↑ → SCS ↑ hold time	t _{CSDH}	MFSm_SCK_x ^{*5} MFSm_CSy_x ^{*5} (m = 0 to 11)		0	-	ns	
SCS deselect time	t _{CSDS}	MFSm_CSy_x ^{*5} (m = 0 to 11)		3t _{CLK_LCPnA} ^{*4} + 30	-	ns	
SCS ↓ → SOT delay time	t _{DSE}	MFSm_CSy_x ^{*5} MFSm_SOT_x ^{*5} (m = 0 to 11)		-	40	ns	
SCS ↑ → SOT delay time	t _{DEE}	MFSm_CSy_x ^{*5} MFSm_SOT_x ^{*5} (m = 0 to 11)		0	-	ns	
SCK ↓ → SCS ↓ clock switching time	t _{SCC}	MFSm_SCK_x ^{*5} MFSm_CSy_x ^{*5} (m = 0 to 11)	Master mode round operation (C _L = 20 pF, I _{OH} = -2 mA, I _{OL} = 2 mA)	3t _{CLK_LCPnA} ^{*4} + 0	3t _{CLK_LCPnA} ^{*4} + 50	ns	

*1: t_{CSSU} = SCSTR:CSSU[7:0] x serial chip select timing operating clock

*2: t_{CSDH} = SCSTR:CSDH[7:0] x serial chip select timing operating clock

*3: t_{CSDS} = SCSTR:CSDS[15:0] x serial chip select timing operating clock

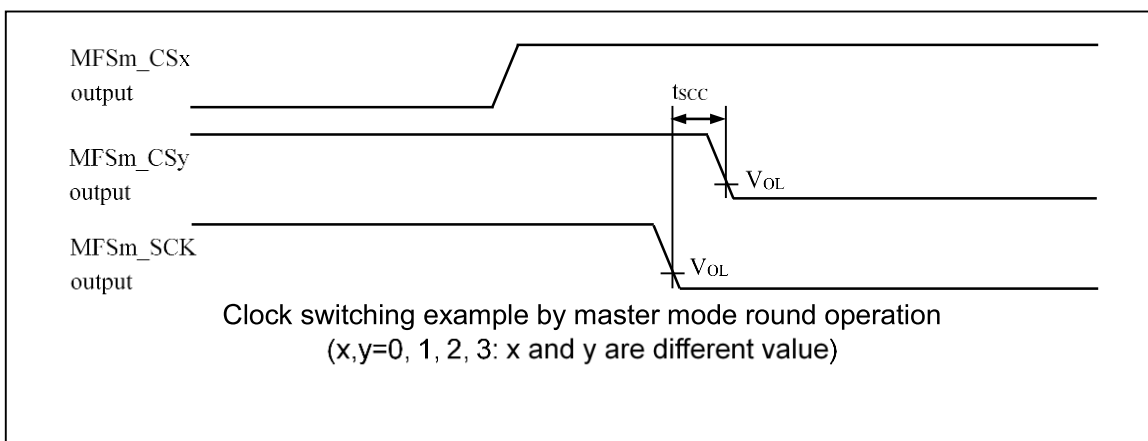
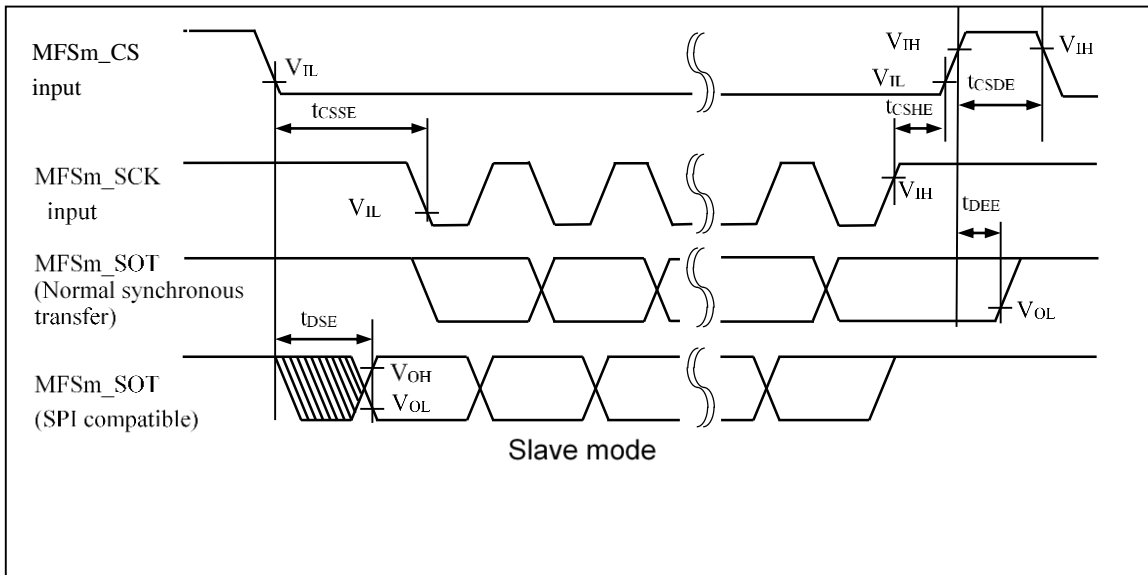
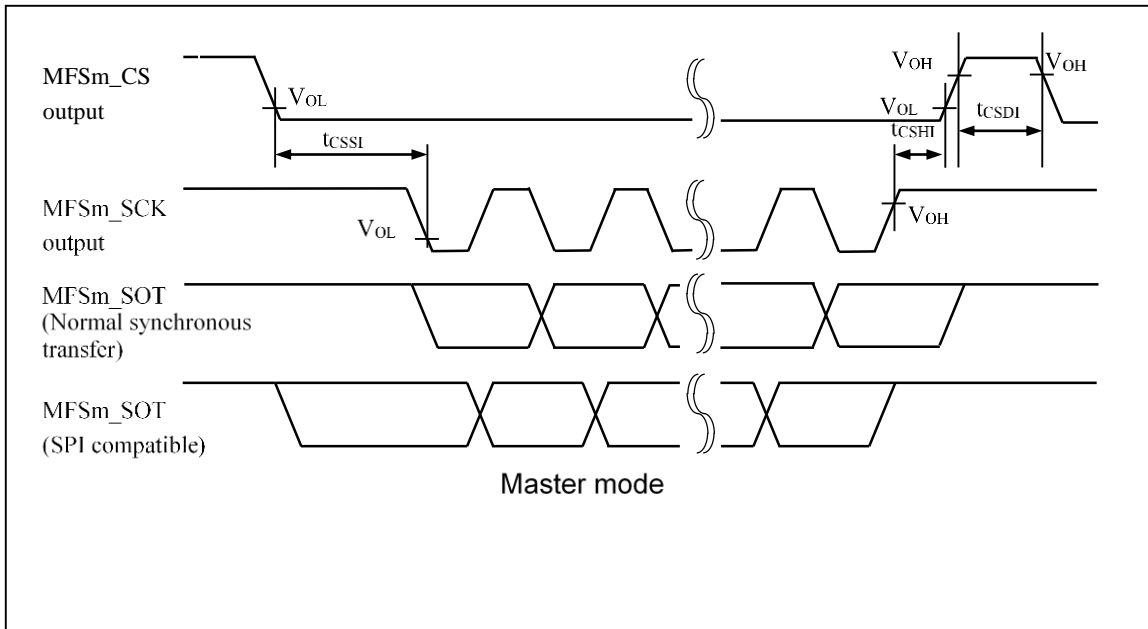
For details on *1, *2, and *3 above, see the hardware manual.

*4: n = 0:ch.0 to ch.7, n = 1:ch.8 to ch.11

*5: For the details of x or y value, see section 5 Pin Descriptions.

Notes:

- This is the AC characteristic in CLK synchronized mode.
- C_L is the load capacitance applied to pins during testing.
- The maximum baud rate is limited by the internal operating clock used and other parameters. For details, see the hardware manual.



(6) Serial Chip Select Used (SCSCR:CSSEN = 1)

■ Serial clock output signal detect level "L" (SMR, SCSFR:SCINV = 1)

■ Serial chip select inactive level "H" (SCSCR, SCSFR:CSLVL = 1)

(Condition: See section 7.2 Recommended Operating Conditions)

Parameter	Symbol	Pin Name	Conditions	Value		Unit	Remarks
				Min	Max		
SCS ↓ → SCK ↑ setup time	t _{CSSU}	MFSm_SCK_x ^{*5} MFSm_CSy_x ^{*5} (m = 0 to 11)	Master mode (C _L = 20 pF, I _{OH} = -2 mA, I _{OL} = 2 mA)	t _{CSSU} ^{*1} - 50	-	ns	
SCK ↓ → SCS ↑ hold time	t _{CSDH}	MFSm_SCK_x ^{*5} MFSm_CSy_x ^{*5} (m = 0 to 11)		t _{CSDH} ^{*2} + 0	-	ns	
SCS deselect time	t _{CSDI}	MFSm_CSy_x ^{*5} (m = 0 to 11)		t _{CSDS} ^{*3} - 50 + 5t _{CLK_LCPnA} ^{*4}	-	ns	
SCS ↓ → SCK ↑ setup time	t _{CSSS}	MFSm_SCK_x ^{*5} MFSm_CSy_x ^{*5} (m = 0 to 11)	Slave mode (C _L = 20 pF, I _{OH} = -2 mA, I _{OL} = 2 mA)	3t _{CLK_LCPnA} ^{*4} + 30	-	ns	
SCK ↓ → SCS ↑ hold time	t _{CSDH}	MFSm_SCK_x ^{*5} MFSm_CSy_x ^{*5} (m = 0 to 11)		0	-	ns	
SCS deselect time	t _{CSDI}	FMSm_CSy_x ^{*5} (m = 0 to 11)		3t _{CLK_LCPnA} ^{*4} + 30	-	ns	
SCS ↓ → SOT delay time	t _{DSE}	FMSm_CSy_x ^{*5} MFSm_SOT_x ^{*5} (m = 0 to 11)		-	40	ns	
SCS ↑ → SOT delay time	t _{DEE}	FMSm_CSy_x ^{*5} MFSm_SOT_x ^{*5} (m = 0 to 11)		0	-	ns	
SCK ↑ → SCS ↓ clock switching time	t _{SCC}	MFSm_SCK_x ^{*5} MFSm_CSy_x ^{*5} (m = 0 to 11)	Master mode round operation (C _L = 20 pF, I _{OH} = -2 mA, I _{OL} = 2 mA)	3t _{CLK_LCPnA} ^{*4} + 0	3t _{CLK_LCPnA} ^{*4} + 50	ns	

*1: t_{CSSU} = SCSTR:CSSU[7:0] x serial chip select timing operating clock

*2: t_{CSDH} = SCSTR:CSDH[7:0] x serial chip select timing operating clock

*3: t_{CSDS} = SCSTR:CSDS[15:0] x serial chip select timing operating clock

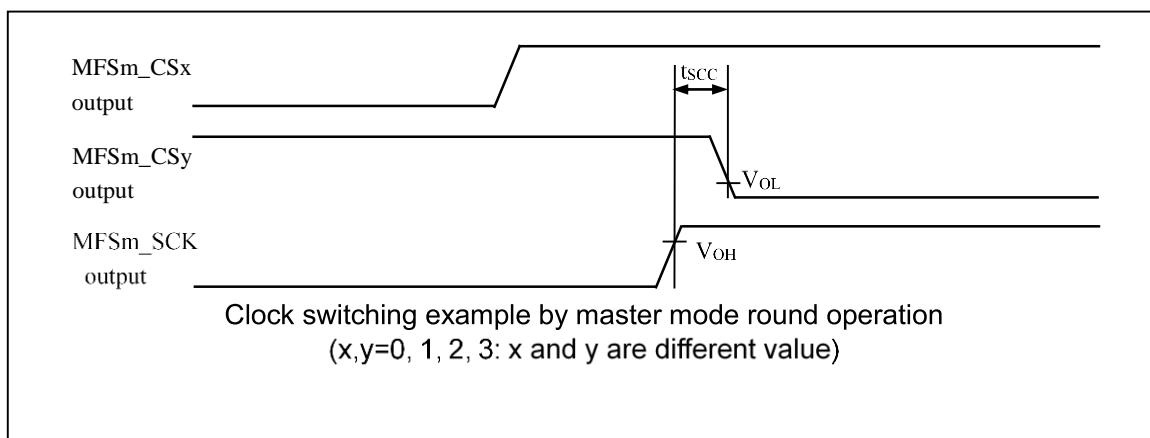
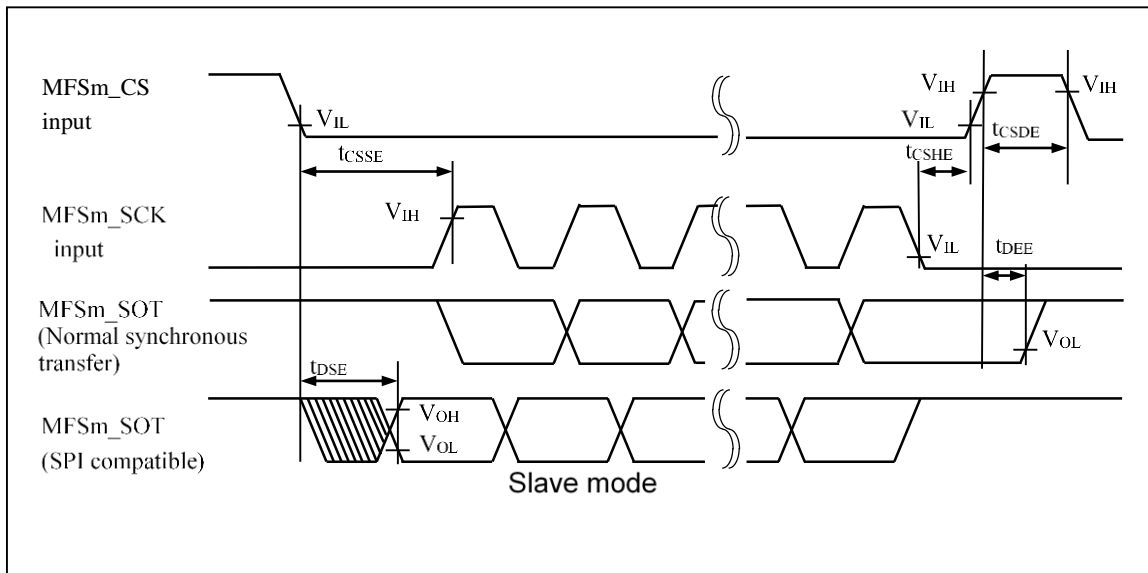
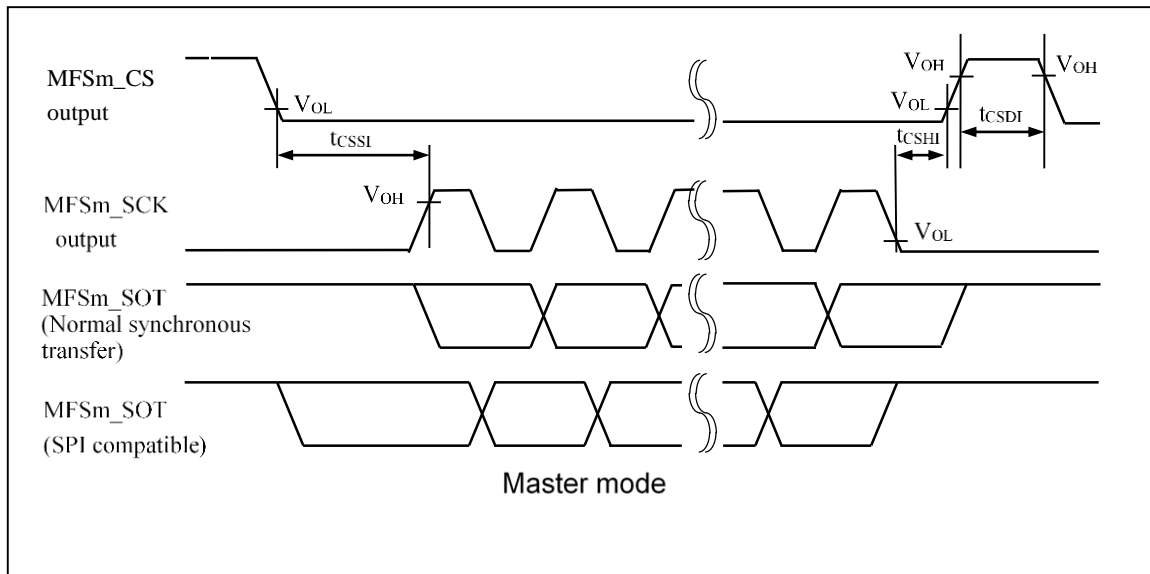
For details on *1, *2, and *3 above, see the hardware manual.

*4: n = 0:ch.0 to ch.7, n = 1:ch.8 to ch.11

*5: For the details of x or y value, see section 5 Pin Descriptions.

Notes:

- This is the AC characteristic in CLK synchronized mode.
- C_L is the load capacitance applied to pins during testing.
- The maximum baud rate is limited by the internal operating clock used and other parameters. For details, see the hardware manual.



(7) Serial Chip Select Used (SCSCR:CSSEN = 1)

■ Serial clock output signal detect level "H" (SMR, SCSFR:SCINV = 0)

■ Serial chip select inactive level "L" (SCSCR, SCSFR:CSLVL = 0)

(Condition: See section 7.2 Recommended Operating Conditions)

Parameter	Symbol	Pin Name	Conditions	Value		Unit	Remarks	
				Min	Max			
SCS ↑ → SCK ↓ setup time	t _{CSSU}	MFSm_SCK_x ^{*5} MFSm_CSy_x ^{*5} (m = 0 to 11)	Master mode (C _L = 20 pF, I _{OH} = -2 mA, I _{OL} = 2 mA)	t _{CSSU} ^{*1} - 50	-	ns		
SCK ↑ → SCS ↓ hold time	t _{CSDH}	MFSm_SCK_x ^{*5} MFSm_CSy_x ^{*5} (m = 0 to 11)		t _{CSDH} ^{*2} + 0	-	ns		
SCS deselect time	t _{CSDI}	MFSm_CSy_x ^{*5} (m = 0 to 11)		t _{CSDS} ^{*3} - 50 + 5 t _{CLK_LCPnA} ^{*4}	-	ns		
SCS ↑ → SCK ↓ setup time	t _{CSSS}	MFSm_SCK_x ^{*5} MFSm_CSy_x ^{*5} (m = 0 to 11)	Slave mode (C _L = 20 pF, I _{OH} = -2 mA, I _{OL} = 2 mA)	3t _{CLK_LCPnA} ^{*4} + 30	-	ns		
SCK ↑ → SCS ↓ hold time	t _{CSDH}	MFSm_SCK_x ^{*5} MFSm_CSy_x ^{*5} (m = 0 to 11)		0	-	ns		
SCS deselect time	t _{CSDI}	MFSm_CSy_x ^{*5} (m = 0 to 11)		3t _{CLK_LCPnA} ^{*4} + 30	-	ns		
SCS ↑ → SOT delay time	t _{DSE}	MFSm_CSy_x ^{*5} MFSm_SOT_x ^{*5} (m = 0 to 11)		-	40	ns		
SCS ↓ → SOT delay time	t _{DEE}	MFSm_CSy_x ^{*5} MFSm_SOT_x ^{*5} (m = 0 to 11)		0	-	ns		
SCK ↓ → SCS ↑ clock switching time	t _{SCC}	MFSm_SCK_x ^{*5} MFSm_CSy_x ^{*5} (m = 0 to 11)		Master mode round operation (C _L = 20 pF, I _{OH} = -2 mA, I _{OL} = 2 mA)	3t _{CLK_LCPnA} ^{*4} + 0	3t _{CLK_LCPnA} ^{*4} + 50	ns	

*1: t_{CSSU} = SCSTR:CSSU[7:0] x serial chip select timing operating clock

*2: t_{CSDH} = SCSTR:CSDH[7:0] x serial chip select timing operating clock

*3: t_{CSDS} = SCSTR:CSDS[15:0] x serial chip select timing operating clock

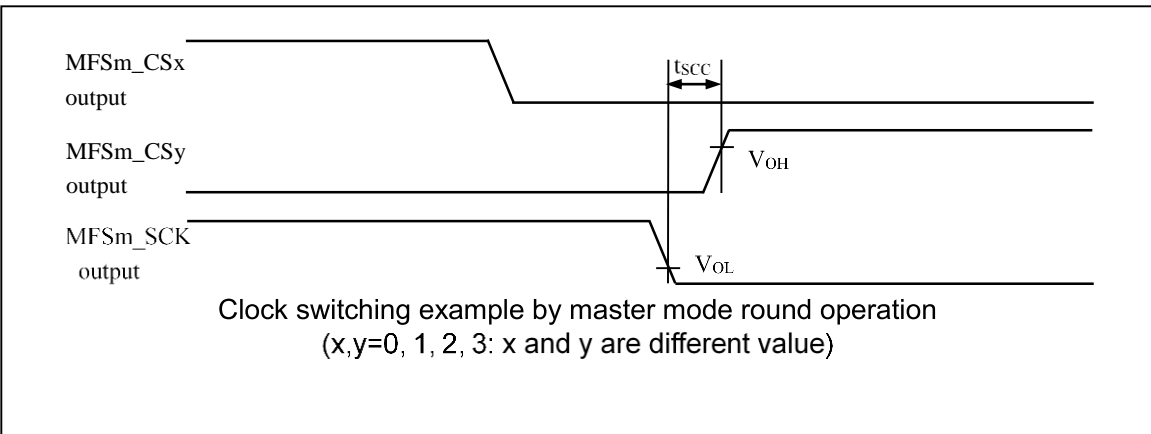
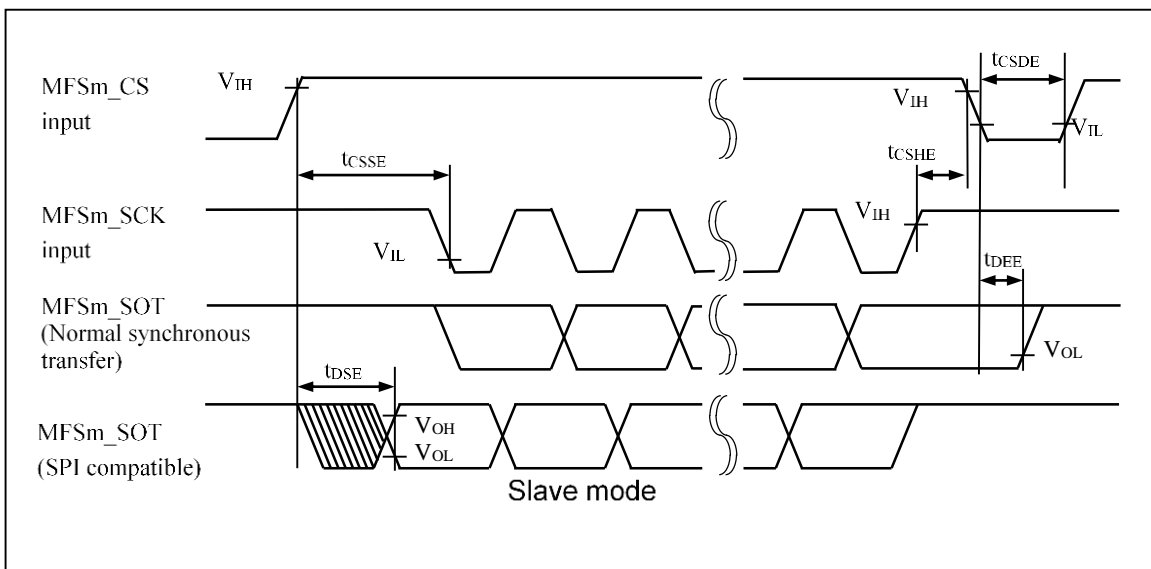
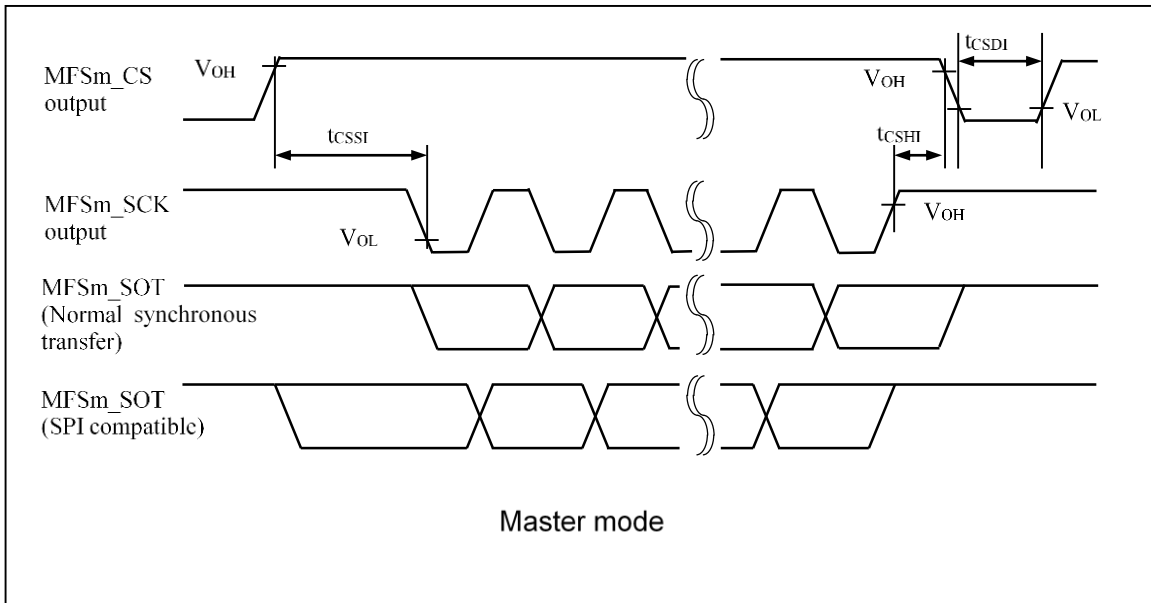
For details on *1, *2, and *3 above, see the hardware manual.

*4: n = 0:ch.0 to ch.7, n = 1:ch.8 to ch.11

*5: For the details of x or y value, see section 5 Pin Descriptions.

Notes:

- This is the AC characteristic in CLK synchronized mode.
- C_L is the load capacitance applied to pins during testing.
- The maximum baud rate is limited by the internal operating clock used and other parameters.
For details, see the hardware manual



(8) Serial Chip Select Used (SCSCR:CSSEN = 1)

- Serial clock output signal detect level "L" (SMR, SCSTR:SCINV = 1)
- Serial chip select inactive level "L" (SCSCR, SCSTR:CSLVL = 0)

(Condition: See section 7.2 Recommended Operating Conditions)

Parameter	Symbol	Pin Name	Conditions	Value		Unit	Remarks
				Min	Max		
SCS \uparrow \rightarrow SCK \uparrow setup time	t _{CSSU}	MFSm_SCK_x ^{*5} MFSm_CSy_x ^{*5} (m = 0 to 11)	Master mode (C _L = 20 pF, I _{OH} = -2 mA, I _{OL} = 2 mA)	t _{CSSU} ^{*1} - 50	-	ns	
SCK \downarrow \rightarrow SCS \downarrow hold time	t _{CSDH}	MFSm_SCK_x ^{*5} MFSm_CSy_x ^{*5} (m = 0 to 11)		t _{CSDH} ^{*2} + 0	-	ns	
SCS deselect time	t _{CSDI}	FMSm_CSy_x ^{*5} (m = 0 to 11)		t _{CSDS} ^{*3} - 50 + 5 t _{CLK_LCPnA} ^{*4}	-	ns	
SCS \uparrow \rightarrow SCK \uparrow setup time	t _{CSSS}	MFSm_SCK_x ^{*5} MFSm_CSy_x ^{*5} (m = 0 to 11)	Slave mode (C _L = 20 pF, I _{OH} = -2 mA, I _{OL} = 2mA)	3t _{CLK_LCPnA} ^{*4} + 30	-	ns	
SCK \downarrow \rightarrow SCS \downarrow hold time	t _{CSDH}	MFSm_SCK_x ^{*5} MFSm_CSy_x ^{*5} (m = 0 to 11)		0	-	ns	
SCS deselect time	t _{CSDI}	MFSm_CSy_x ^{*5} (m = 0 to 11)		3t _{CLK_LCPnA} ^{*4} + 30	-	ns	
SCS \uparrow \rightarrow SOT delay time	t _{DSE}	MFSm_CSy_x ^{*5} MFSm_SOT_x ^{*5} (m = 0 to 11)		-	40	ns	
SCS \downarrow \rightarrow SOT delay time	t _{DEE}	MFSm_CSy_x ^{*5} MFSm_SOT_x ^{*5} (m = 0 to 11)		0	-	ns	
SCK \uparrow \rightarrow SCS \uparrow clock switching time	t _{SCC}	MFSm_SCK_x ^{*5} MFSm_CSy_x ^{*5} (m = 0 to 11)	Master mode round operation (C _L = 20 pF, I _{OH} = -2 mA, I _{OL} = 2 mA)	3t _{CLK_LCPnA} ^{*4} + 0	3t _{CLK_LCPnA} ^{*4} + 50	ns	

*1: t_{CSSU} = SCSTR:CSSU[7:0] x serial chip select timing operating clock

*2: t_{CSDH} = SCSTR:CSDH[7:0] x serial chip select timing operating clock

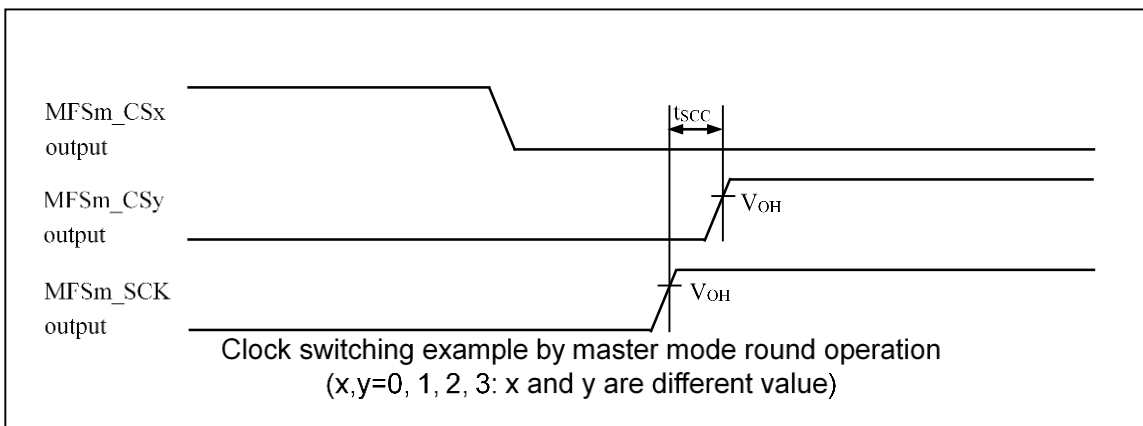
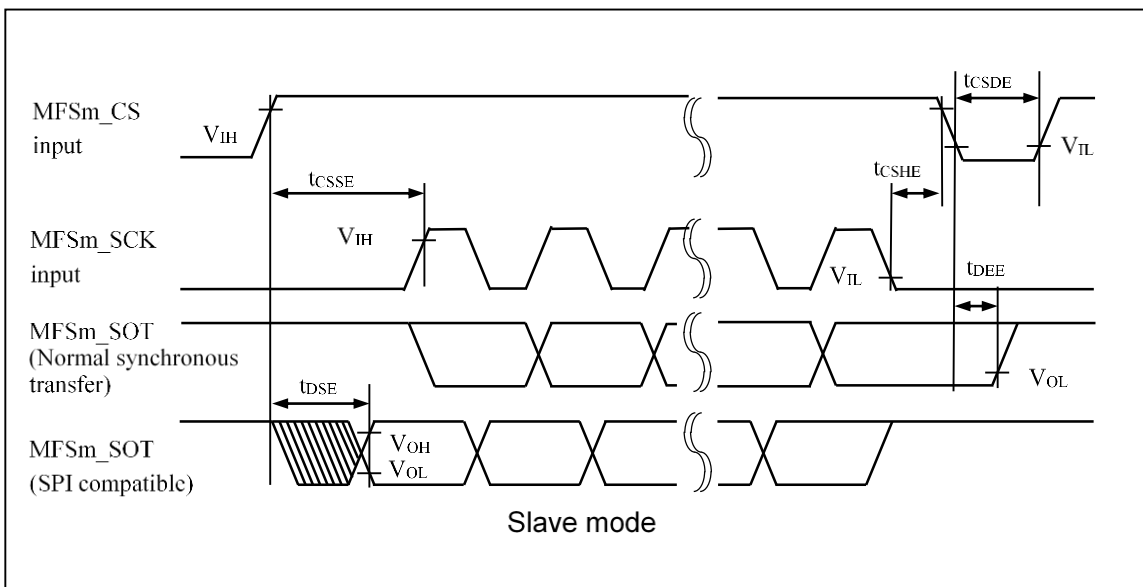
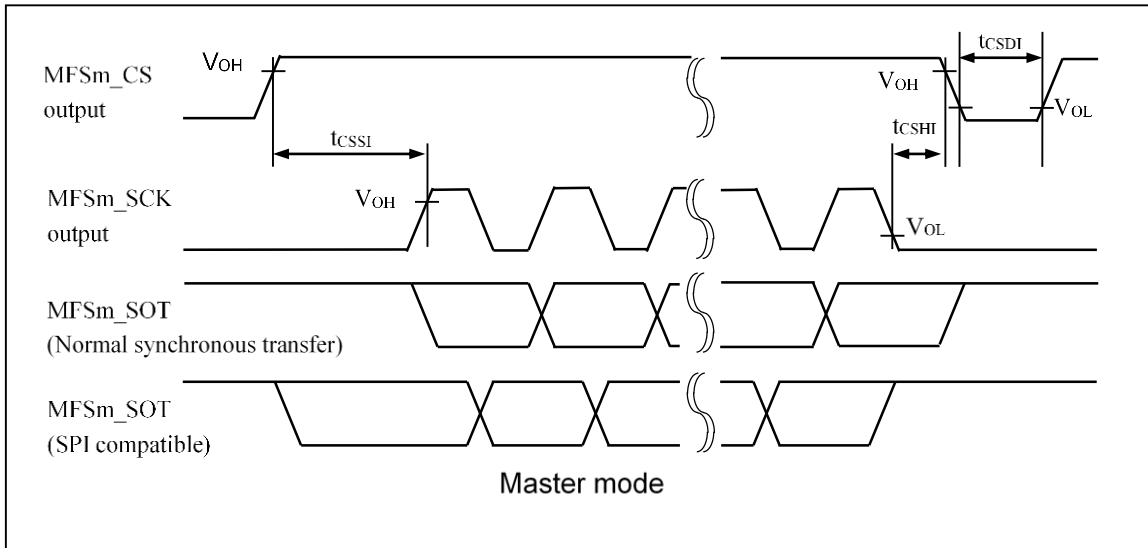
*3: t_{CSDS} = SCSTR:CSDS[15:0] x serial chip select timing operating clock
For details on *1, *2, and *3 above, see the hardware manual.

*4: n = 0:ch.0 to ch.7, n = 1:ch.8 to ch.11

*5: For the details of x or y value, see section 5 Pin Descriptions.

Notes:

- This is the AC characteristic in CLK synchronized mode.
- C_L is the load capacitance applied to pins during testing.
- The maximum baud rate is limited by the internal operating clock used and other parameters.
For details, see the hardware manual.



7.4.6.3 LIN Interface (v2.1) (LIN Communication Control Interface (v2.1)) Timing (SMR:MD2-0 = 0b011)

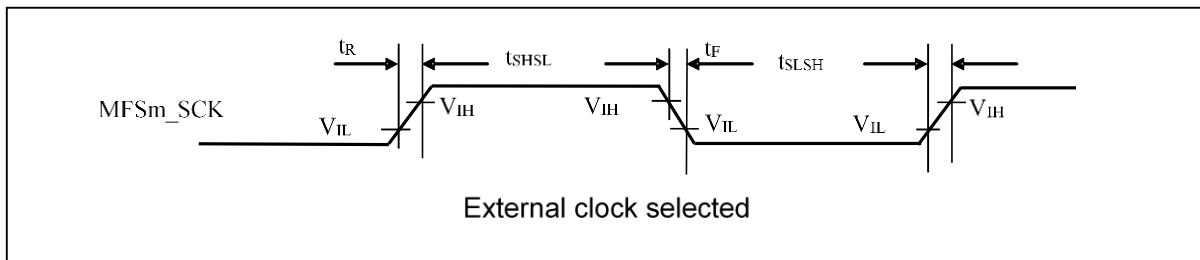
External Clock Selected (BGR:EXT = 1)

(Condition: See section 7.2 Recommended Operating Conditions)

Parameter	Symbol	Pin Name	Conditions	Value		Unit	Remarks
				Min	Max		
Serial clock "L" pulse width	t_{SLSH}	MFSm_SCK_x ^{*2} (m = 0 to 11)	(C _L = 20 pF, I _{OH} = -2 mA, I _{OL} = 2 mA)	$t_{CLK_LCPnA}^{*1} + 10$	-	ns	
Serial clock "H" pulse width	t_{SHSL}	MFSm_SCK_x ^{*2} (m = 0 to 11)		$t_{CLK_LCPnA}^{*1} + 10$	-	ns	
SCK falling time	t_F	MFSm_SCK_x ^{*2} (m = 0 to 11)		-	5	ns	
SCK rising time	t_R	MFSm_SCK_x ^{*2} (m = 0 to 11)		-	5	ns	

*1: n = 0: ch.0 to ch.7, n = 1: ch.8 to ch.11

*2: For the details of x value, see section 5.1 Pin Descriptions.



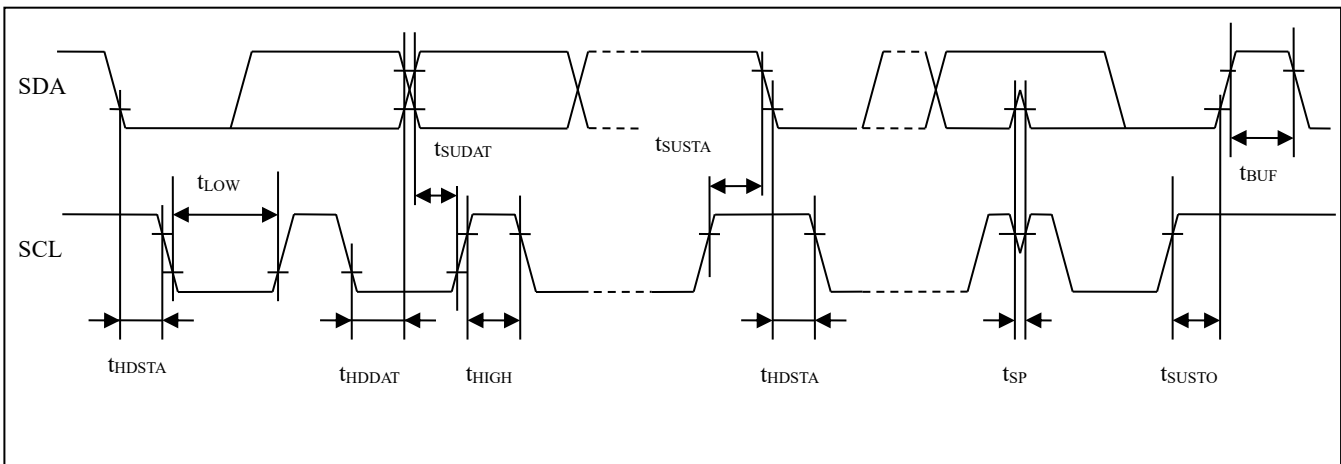
7.4.6.4 I²C Timing (SMR:MD2-0 = 0b100)

(Condition: See section 7.2 Recommended Operating Conditions)

Parameter	Symbol	Pin Name	Conditions	Standard Mode		Fast Mode		Unit	Remarks
				Min	Max	Min	Max		
SCL clock frequency	f _{SCL}	MFSm_SCL (m = 0,1,4 to 11)	C _L = 50 pF, R = (V _p /I _{OL}) ^{*1}	0	100	0	400	kHz	
Repeat "start" condition hold time SDA↓ → SCL↓	t _{HDSTA}	MFSm_SDA, MFSm_SCL (m = 0,1,4 to 11)		4.0	-	0.6	-	μs	
Period of "L" for SCL clock	t _{LOW}	MFSm_SCL (m = 0,1,4 to 11)		4.7	-	1.3	-	μs	
Period of "H" for SCL clock	t _{HIGH}	MFSm_SCL (m = 0,1,4 to 11)		4.0	-	0.6	-	μs	
Repeat "start" condition setup time SCL↑ → SDA↓	t _{SUSTA}	MFSm_SDA, MFSm_SCL (m = 0,1,4 to 11)		4.7	-	0.6	-	μs	
Data hold time SCL↓ → SDA↓↑	t _{HDDAT}	MFSm_SDA, MFSm_SCL (m = 0,1,4 to 11)		0	3.45 ^{*2}	0	0.9 ^{*3}	μs	
Data setup time SDA↓↑ → SCL↑	t _{SUDAT}	MFSm_SDA, MFSm_SCL (m = 0,1,4 to 11)		250	-	100	-	ns	
Stop condition setup time SCL↑ → SDA↑	t _{SUSTO}	MFSm_SDA, MFSm_SCL (m = 0,1,4 to 11)		4.0	-	0.6	-	μs	
Bus-free time between "stop" condition and "start" condition	t _{BUF}	-		4.7	-	1.3	-	μs	
Noise filter	t _{SP}	-		t _{NFT} ^{*4}	-	t _{NFT} ^{*4}	-	ns	

Notes: Only ch.6 and ch.7 are standard mode/ Fast mode correspondence. In other ch., only a standard mode is correspondence.

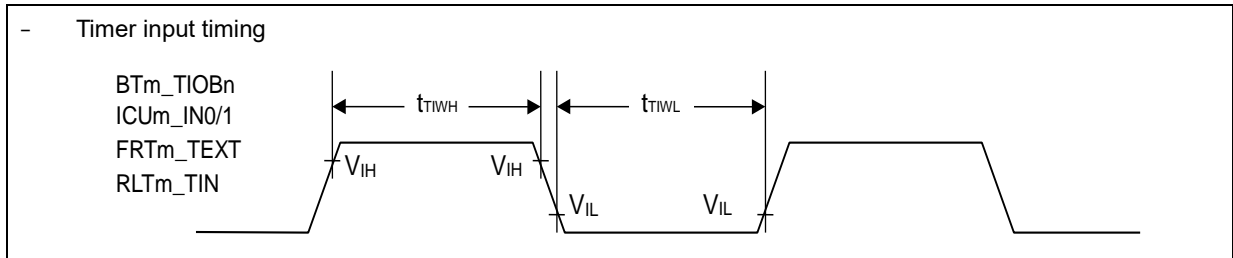
- *1: R and C_L represent the pull-up resistance and load capacitance of the SCL and SDA output lines, respectively. V_p shows the power-supply voltage of the pull-up resistor and I_{OL} shows the V_{OL} guarantee current.
- *2: The maximum t_{HDDAT} must only be met if the device does not extend the "L" width (t_{LOW}) of the SCL signal.
- *3: A fast mode I²C bus device can be used on a standard mode I²C bus system as long as the device satisfies the requirement of "t_{SUDAT} ≥ 250 ns".
- *4: t_{NFT} = (NFCR: NFT[4:0] + 1) × 2 × t_{CLK_LCP0A} (ch.0, ch.1, ch.4 to ch.7)
t_{NFT} = (NFCR: NFT[4:0] + 1) × 2 × t_{CLK_LCP1A} (ch.8 to ch.11)



7.4.7 Timer Input

(Condition: See section 7.2 Recommended Operating Conditions)

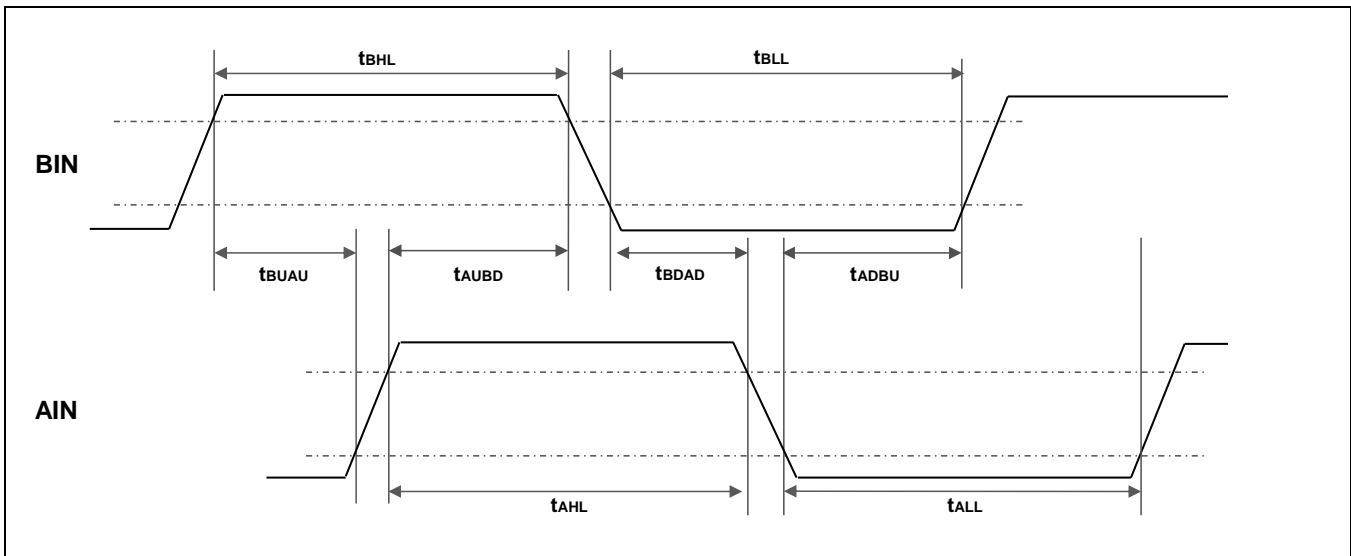
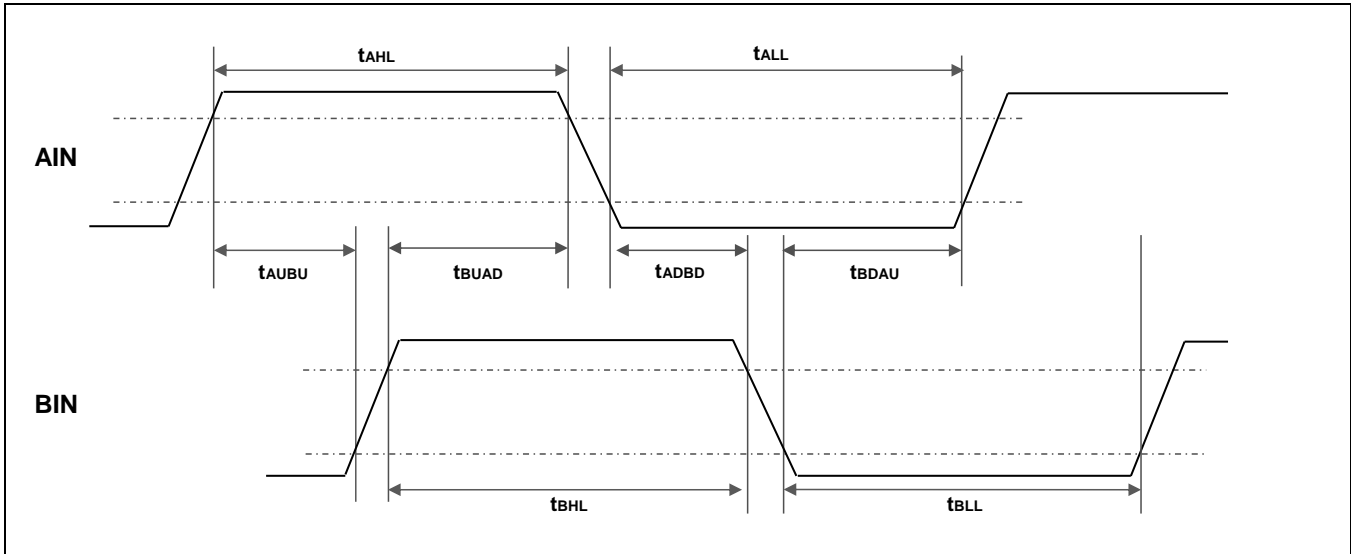
Parameter	Symbol	Pin Name	Conditions	Value		Unit	Remarks
				Min	Max		
Input pulse width	t_{TWH} , t_{TWL}	BTm_TIOBn_0, BTm_TIOBn_1 (m = 0 to 15, n = 2m)	-	$4t_{CLK_LCP1A}$	-	ns	$4t_{CLK_LCP1A} \geq 100$ ns
				100	-	ns	$4t_{CLK_LCP1A} < 100$ ns
		ICUm_IN0_0, ICUm_IN1_0, ICUm_IN0_1, ICUm_IN1_1 (m = 0,1, 2, 8, 9, 10)	-	$4t_{CLK_LCP0A}$	-	ns	$4t_{CLK_LCP0A} \geq 100$ ns
				100	-	ns	$4t_{CLK_LCP0A} < 100$ ns
		FRTm_TEXT (m = 0, 1, 2, 3, 4, 8, 9, 10)	-	$4t_{CLK_LCP0A}$	-	ns	$4t_{CLK_LCP0A} \geq 100$ ns
				100	-	ns	$4t_{CLK_LCP0A} < 100$ ns
RLTm_TIN_0, RLTm_TIN_1 (m = 0 to 3)	-	$4t_{CLK_LCP0A}$	-	ns	$4t_{CLK_LCP0A} \geq 100$ ns		
		100	-	ns	$4t_{CLK_LCP0A} < 100$ ns		
RLTm_TIN_0, RLTm_TIN_1 (m = 16,17)	-	$4t_{CLK_LCP1A}$	-	ns	$4t_{CLK_LCP1A} \geq 100$ ns		
		100	-	ns	$4t_{CLK_LCP1A} < 100$ ns		

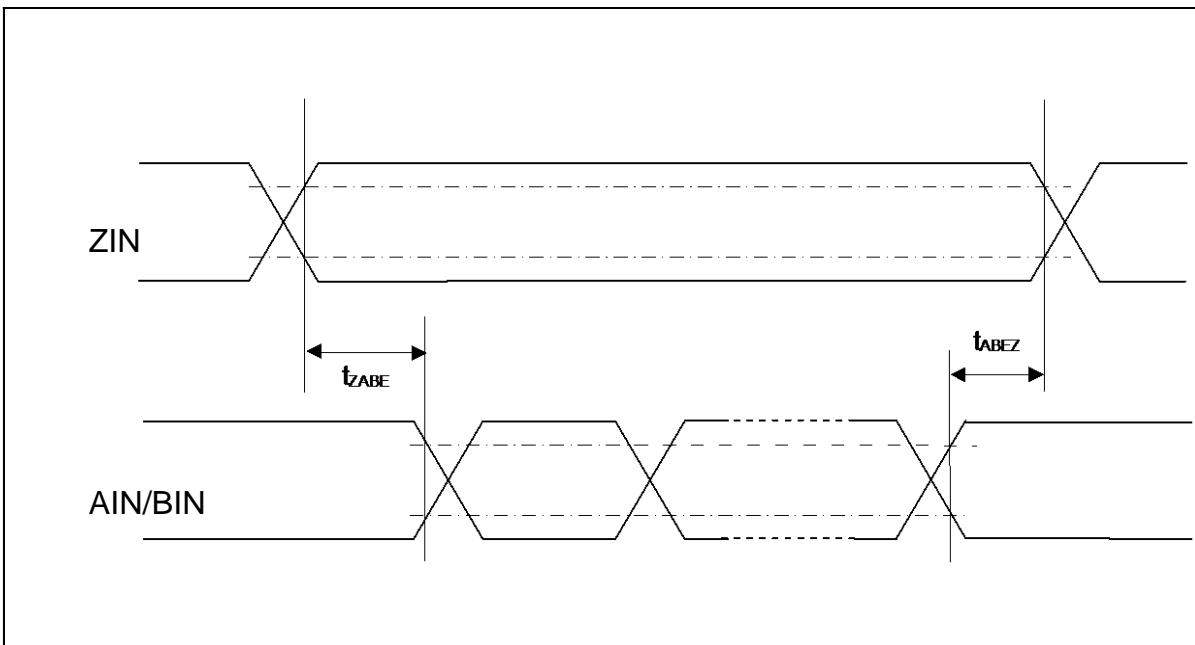
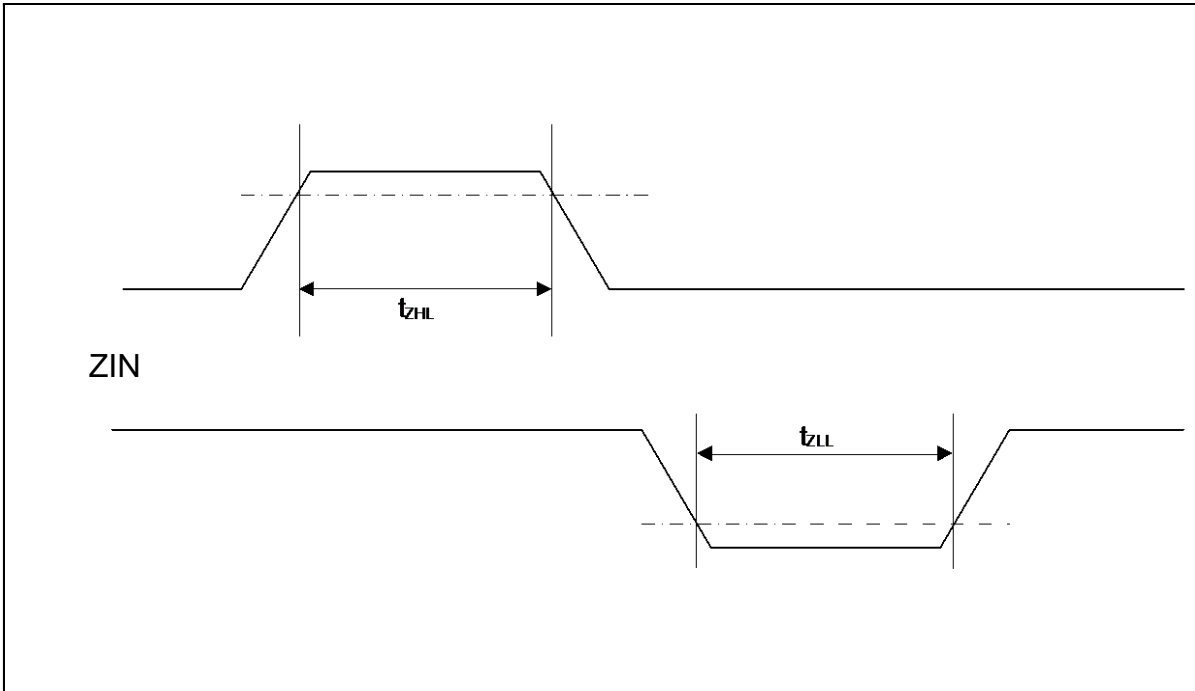


7.4.8 QPRC Timing

(Condition: See section 7.2 Recommended Operating Conditions)

Parameter	Symbol	Pin Name	Conditions	Value		Unit	Remarks
				Min	Max		
AIN pin "H" width	t _{AHL}	QPRCm_AIN (m = 8,9)	-	4t _{CLK_LCP0A}	-	ns	4t _{CLK_LCP0A} ≥ 100 ns
AIN pin "L" width	t _{ALL}	QPRCm_AIN (m = 8,9)	-				
BIN pin "H" width	t _{BHL}	QPRCm_AIN (m = 8,9)	-				
BIN pin "L" width	t _{BLL}	QPRCm_AIN (m = 8,9)	-				
Time from AIN pin "H" level to BIN rise	t _{AUBU}	QPRCm_AIN, QPRCm_BIN (m = 8,9)	PC_Mode2 or PC_Mode3				
Time from BIN pin "H" level to AIN fall	t _{BUAD}	QPRCm_AIN, QPRCm_BIN (m = 8,9)	PC_Mode2 or PC_Mode3				
Time from AIN pin "L" level to BIN fall	t _{ADBD}	QPRCm_AIN, QPRCm_BIN (m = 8,9)	PC_Mode2 or PC_Mode3				
Time from BIN pin "L" level to AIN rise	t _{BDAU}	QPRCm_AIN, QPRCm_BIN (m = 8,9)	PC_Mode2 or PC_Mode3				
Time from BIN pin "H" level to AIN rise	t _{BUAU}	QPRCm_AIN, QPRCm_BIN (m = 8,9)	PC_Mode2 or PC_Mode3				
Time from AIN pin "H" level to BIN fall	t _{AUBD}	QPRCm_AIN, QPRCm_BIN (m = 8,9)	PC_Mode2 or PC_Mode3				
Time from BIN pin "L" level to AIN fall	t _{BDAD}	QPRCm_AIN, QPRCm_BIN (m = 8,9)	PC_Mode2 or PC_Mode3				
Time from AIN pin "L" level to BIN rise	t _{ADBU}	QPRCm_AIN, QPRCm_BIN (m = 8,9)	PC_Mode2 or PC_Mode3				
ZIN pin "H" width	t _{ZHL}	PRCm_ZIN (m = 8,9)	QCR:CGSC = "0"				
ZIN pin "L" width	t _{ZLL}	PRCm_ZIN (m = 8,9)	QCR:CGSC = "0"				
Time from determined ZIN level to AIN/BIN rise and fall	t _{ZABE}	QPRCm_AIN, QPRCm_BIN, QPRCm_ZIN (m = 8,9)	QCR:CGSC = "1"				
Time from AIN/BIN rise and fall time to determined ZIN level	t _{ZABEZ}	QPRCm_AIN, QPRCm_BIN, QPRCm_ZIN (m = 8,9)	QCR:CGSC = "1"				



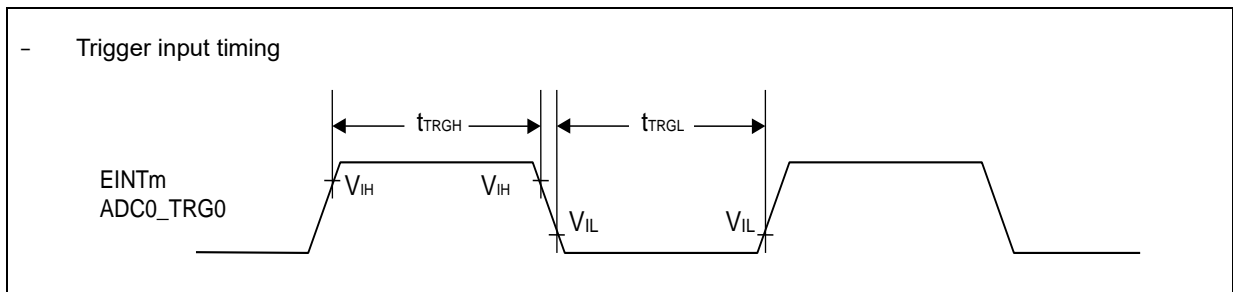


7.4.9 Trigger Input

(Condition: See section 7.2 Recommended Operating Conditions)

Parameter	Symbol	Pin Name	Conditions	Value		Unit	Remarks
				Min	Max		
Input pulse width	t _{TRGH} , t _{TRGL}	EINTm_x ¹ (m = 0 to 23)	-	100	-	ns	
		ADC0_TRG0_0, ADC0_TRG0_1	-	5t _{CLK_LCP1A}	-	ns	5t _{CLK_LCP1A} ≥ 100 ns
				100	-	ns	5t _{CLK_LCP1A} < 100 ns
		EINTm_x ¹ (m = 0 to 23)	-	1	-	μs	Stop mode

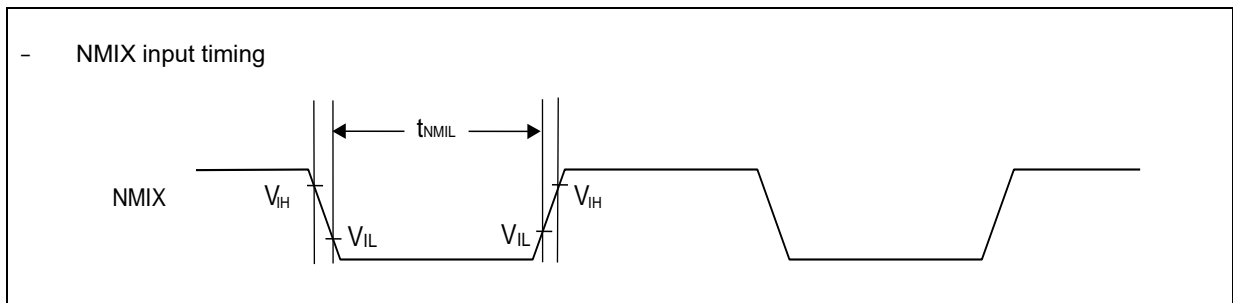
*1: For the details of x value, see section 5.1 “Pin Descriptions”.



7.4.10 NMI Input

(Condition: See section 7.2 Recommended Operating Conditions)

Parameter	Symbol	Pin Name	Conditions	Value		Unit	Remarks
				Min	Max		
Input pulse width	t _{NMIL}	NMIX	-	300	-	ns	



7.4.11 Low Voltage Detection (External Voltage)

7.4.11.1 Low-voltage Detection (External Low-voltage Detection for LVDH1)

(Condition: See section 7.2 Recommended Operating Conditions)

Parameter	Symbol	Pin Name	Conditions	Value			Unit	Guaranteed MCU Operation Range	Remarks		
				Min	Typ	Max					
Detection voltage	V _{DLAT}	V _{CC5}	LVDH1V = 0b000	2.61	2.7	2.79	V	No	*1		
Release voltage	V _{DLAT}	V _{CC5}		2.7	2.8	2.9	V				
Detection voltage	V _{DLAT}	V _{CC5}	LVDH1V = 0b001	2.7	2.8	2.9	V	Yes	-		
Release voltage	V _{DLAT}	V _{CC5}		2.8	2.9	3.0	V				
Detection voltage	V _{DLAT}	V _{CC5}	LVDH1V = 0b010	3.47	3.6	3.73	V				
Release voltage	V _{DLAT}	V _{CC5}		3.57	3.7	3.83	V				
Detection voltage	V _{DLAT}	V _{CC5}	LVDH1V = 0b011	3.67	3.8	3.93	V				
Release voltage	V _{DLAT}	V _{CC5}		3.76	3.9	4.04	V				
Detection voltage	V _{DLAT}	V _{CC5}	LVDH1V = 0b100	3.86	4	4.14	V				
Release voltage	V _{DLAT}	V _{CC5}		3.96	4.1	4.24	V				
Detection voltage	V _{DLAT}	V _{CC5}	LVDH1V = 0b101	4.05	4.2	4.35	V				
Release voltage	V _{DLAT}	V _{CC5}		4.15	4.3	4.45	V				
Detection voltage	V _{DLAT}	V _{CC5}	LVDH1V = 0b110	2.41	2.5	2.59	V			No	*1
Release voltage	V _{DLAT}	V _{CC5}		2.51	2.6	2.69	V				
Detection voltage	V _{DLAT}	V _{CC5}	LVDH1V = 0b111 (Initial value)	2.51	2.6	2.69	V				
Release voltage	V _{DLAT}	V _{CC5}		2.61	2.7	2.79	V				
Low-voltage detection/release time	T _d	-	-	-	-	40	μs	-	*2		
Power supply voltage regulation	-	V _{CC5}	-	-2	-	2	V/ms	-	*3		

Notes:

- *1: These LVD settings cannot be used to reliably generate a reset before voltage dips below minimum guaranteed MCU operation voltage, as these detection levels are below the minimum guaranteed MCU operation voltage (2.7 V).
- *2: After the brown-out event where the voltage level dips below the detection threshold for less than this time, the detection may occur or be canceled.
- *3: Suppress the change of the power supply within the range of the power-supply voltage regulation to do a low-voltage detection by detecting voltage.

7.4.11.2 Low-voltage Detection (External Low-voltage Detection for LVDH2)

(Condition: See section 7.2 Recommended Operating Conditions)

Parameter	Symbol	Pin Name	Conditions	Value			Unit	Guaranteed MCU Operation Range	Remarks
				Min	Typ	Max			
Detection voltage	V _{DLAT53}	V _{CC53_1}	LVDH2V = 0b0001	2.7	2.8	2.9	V	Yes	-
Release voltage	V _{DLAT53}	V _{CC53_1}	(Initial value)	2.8	2.9	3	V		
Detection voltage	V _{DLAT53}	V _{CC53_1}	LVDH2V = 0b0010	3.47	3.6	3.73	V		
Release voltage	V _{DLAT53}	V _{CC53_1}		3.57	3.7	3.83	V		
Detection voltage	V _{DLAT53}	V _{CC53_1}	LVDH2V = 0b0011	3.67	3.8	3.93	V		
Release voltage	V _{DLAT53}	V _{CC53_1}		3.76	3.9	4.04	V		
Detection voltage	V _{DLAT53}	V _{CC53_1}	LVDH2V = 0b0100	3.86	4.0	4.14	V		
Release voltage	V _{DLAT53}	V _{CC53_1}		3.96	4.1	4.24	V		
Detection voltage	V _{DLAT53}	V _{CC53_1}	LVDH2V = 0b0101	4.05	4.2	4.35	V		
Release voltage	V _{DLAT53}	V _{CC53_1}		4.15	4.3	4.45	V		
Low-voltage detection/release time	T _{d53}	-	-	-	-	40	μs	-	*1
Power supply voltage regulation	-	V _{CC53_1}	-	-2	-	2	V/ms	-	*2

Notes:

- *1: After the brown-out event where the voltage level dips below the detection threshold for less than this time, the detection may occur or be canceled.
- *2: Suppress the change of the power supply within the range of the power-supply voltage regulation to do a low-voltage detection by detecting voltage.

7.4.12 Low-Voltage Detection (Internal Voltage Specs)

7.4.12.1 Low-voltage Detection (Internal Low-voltage Detection for LVDL0)

(Condition: See section 7.2 Recommended Operating Conditions)

Parameter	Symbol	Pin Name	Conditions	Value			Unit	Remarks
				Min	Typ	Max		
Detection voltage	V _{RDL}	-	-	0.82	0.85	0.88	V	*1
Release voltage	V _{RDL}	-	-	0.89	0.925	0.96	V	
Low-voltage detection time	T _{Rd}	-	-	-	-	30	μs	*2

Note:

- *1: This LVD cannot be used to reliably generate a reset before voltage dips below minimum guaranteed MCU operation voltage, as this detection level is below the minimum guaranteed MCU operation voltage.
- *2: After the brown-out event where the voltage level dips below the detection threshold for less than this time, the detection may occur or be canceled.

7.4.12.2 Low-voltage Detection (Internal Low-voltage Detection for LVDL1)

(Condition: See section 7.2 Recommended Operating Conditions)

Parameter	Symbol	Pin Name	Conditions	Value			Unit	Guaranteed MCU Operation Range	Remarks
				Min	Typ	Max			
Detection voltage	V _{RDLAT}	-	LVDL1V = 0b000 (Initial value)	0.84	0.875	0.91	V	No	*1
Release voltage	V _{RDLAT}	-		0.92	0.95	0.98	V		
Detection voltage	V _{RDLAT}	-	LVDL1V = 0b001	0.92	0.95	0.98	V		
Release voltage	V _{RDLAT}	-		0.98	1.025	1.06	V		
Low-voltage detection time	T _{Rd}	-	-	-	-	30	μs	-	*2

Notes:

- *1: This LVD cannot be used to reliably generate a reset before voltage dips below minimum guaranteed MCU operation voltage, as these detection levels are below the minimum guaranteed MCU operation voltage.
- *2: After the brown-out event where the voltage level dips below the detection threshold for less than this time, the detection may occur or be canceled.

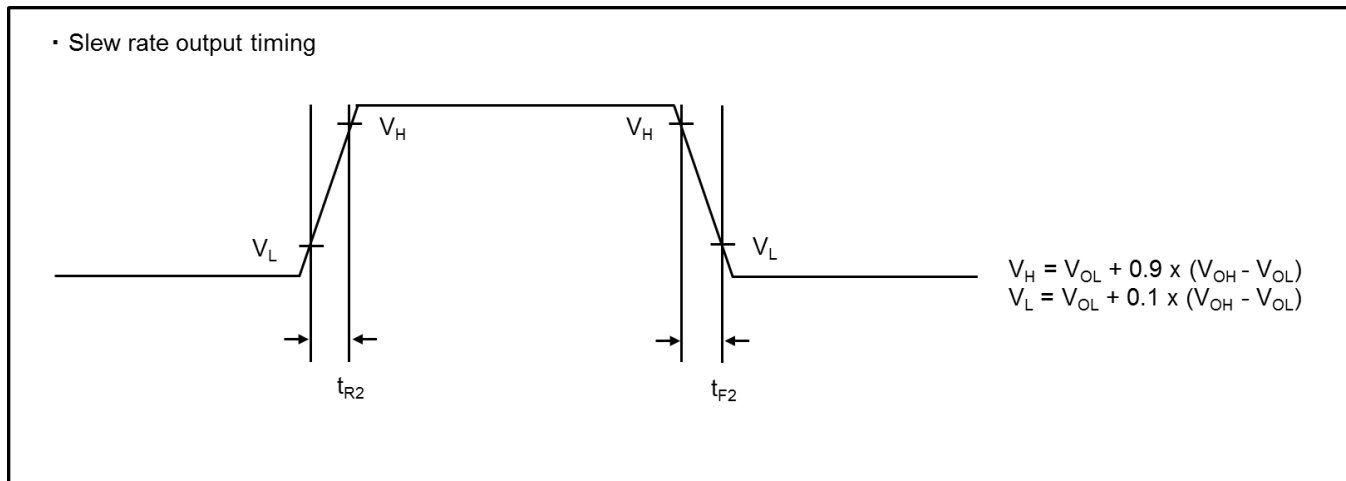
7.4.13 High Current Output Slew Rate

(Condition: See section 7.2 Recommended Operating Conditions)

Parameter	Symbol	Pin Name	Conditions	Value			Unit	Remarks
				Min	Typ	Max		
Output rise / fall time	t_{R2} , t_{F2}	GPIO of DV _{CC} *1	-	15	-	100	ns	Load capacitance 85 pF

*1: For the details of GPIO group, see section 5.3 Input Level Setting/ Output Drive Capacity Setting.

When I/O output drive capacity setting is 30 mA.



7.4.14 External Bus Interface Timing

7.4.14.1 Clock Output Timing

(TA: Recommended operating conditions, $V_{cc53_1} = 5.0\text{ V} \pm 10\%$, $V_{SS} = 0.0\text{ V}$)

Parameter	Symbol	Pin Name	Conditions	Value		Unit	Remarks
				Min	Max		
Cycle time	t_{CYC}	MCLK	$(C_L = 20\text{ pF}, I_{OH} = -5\text{ mA}, I_{OL} = 5\text{ mA})$	25	-	ns	
Clock high width *1	t_{CHCL}	MCLK		$d_{HtCYC} - 4.5$	$d_{HtCYC} + 4.5$	ns	
Clock low width *2	t_{CLCH}	MCLK		$d_{LtCYC} - 4.5$	$d_{LtCYC} + 4.5$	ns	

(TA: Recommended operating conditions, $V_{cc53_1} = 3.3\text{ V} \pm 10\%$, $V_{SS} = 0.0\text{ V}$)

Parameter	Symbol	Pin Name	Conditions	Value		Unit	Remarks
				Min	Max		
Cycle time	t_{CYC}	MCLK	$(C_L = 20\text{ pF}, I_{OH} = -2\text{ mA}, I_{OL} = 2\text{ mA})$	31.25	-	ns	
Clock high width *1	t_{CHCL}	MCLK		$d_{HtCYC} - 4.5$	$d_{HtCYC} + 4.5$	ns	
Clock low width *2	t_{CLCH}	MCLK		$d_{LtCYC} - 4.5$	$d_{LtCYC} + 4.5$	ns	

*1: If division-ratio is even value, dH is equivalent to 0.5.

Otherwise, dH is calculated as the following.

$dH = \text{The number rounding "division-ratio} \times 0.5"$ down to the nearest integer / division-ratio

division-ratio is multiplication value among SYSDIV bit, HPMDIV bit, and EXTBUSDIV bit setting.

For example, setting SYSDIV to 1-division, HPMDIV to 7-division, EXTBUSDIV to 1-division, dH is calculated as 0.429.

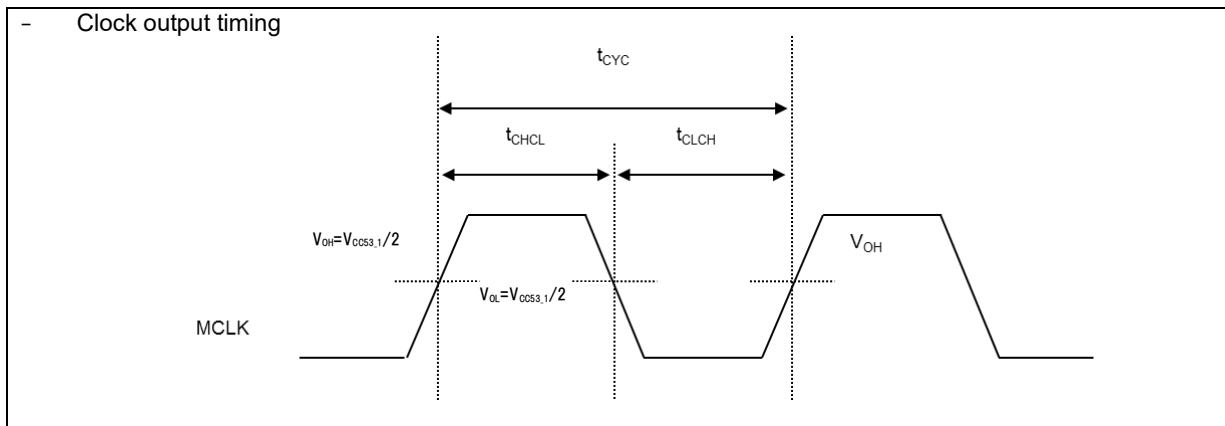
*2: If division-ratio is even value, dL is equivalent to 0.5.

Otherwise, dL is calculated as the following.

$dL = \text{The number rounding "division-ratio} \times 0.5"$ up to the nearest integer / division-ratio

division-ratio is multiplication value among SYSDIV bit, HPMDIV bit and EXTBUSDIV bit setting.

For example, setting SYSDIV to 1-division, HPMDIV to 7-division, EXTBUSDIV to 1-division, dL is calculated as 0.571.



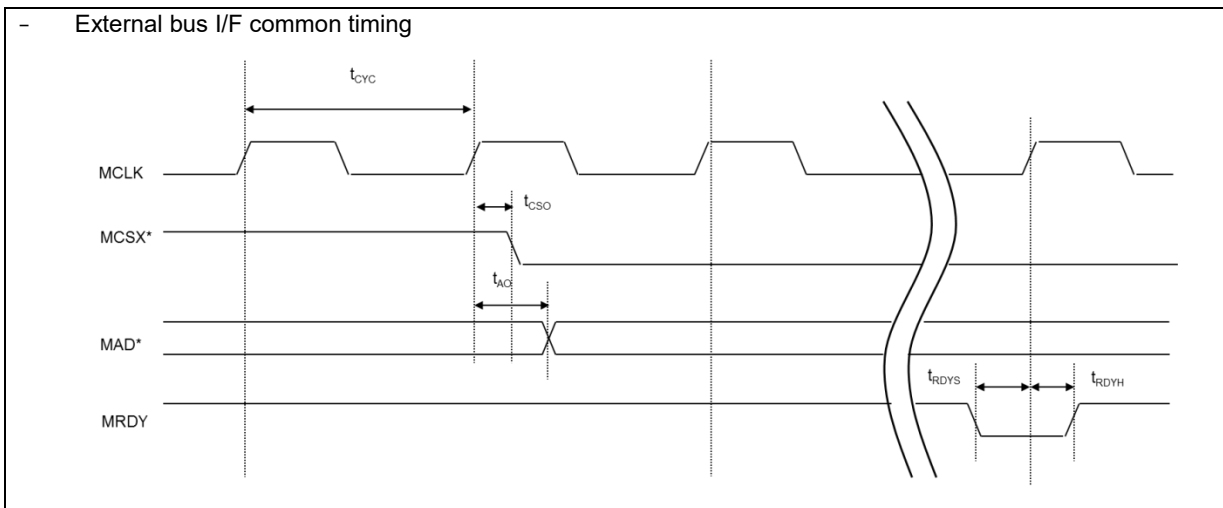
7.4.14.2 Common Timing between Read and Write

(TA: Recommended operating conditions, $V_{cc53_1} = 5.0\text{ V} \pm 10\%$, $V_{SS} = 0.0\text{ V}$)

Parameter	Symbol	Pin Name	Conditions	Value		Unit	Remarks
				Min	Max		
Cycle time (without MRDY)	t_{CYC}	MCLK	$(C_L = 20\text{ pF}$, $I_{OH} = -5\text{ mA}$, $I_{OL} = 5\text{ mA})$	25	-	ns	
Cycle time (with MRDY)	t_{CYC}	MCLK		40	-	ns	If using MRDY, set MCLK to 25 MHz or less.
CS delay time	t_{CSO}	MCLK, MCSX0 to MCSX3		0.5	11.25	ns	
Address delay time	t_{AO}	MCLK, MAD0 to MAD21		0.5	11.25	ns	
RDY setup time	t_{RDYS}	MCLK, MRDY	"CMOS hysteresis input" and "Disable noise filter" are selected.	21	-	ns	
RDY hold time	t_{RDYH}	MCLK, MRDY		0	-	ns	

(TA: Recommended operating conditions, $V_{cc53_1} = 3.3\text{ V} \pm 10\%$, $V_{SS} = 0.0\text{ V}$)

Parameter	Symbol	Pin Name	Conditions	Value		Unit	Remarks
				Min	Max		
Cycle time (without MRDY)	t_{CYC}	MCLK	$(C_L = 20\text{ pF}$, $I_{OH} = -2\text{ mA}$, $I_{OL} = 2\text{ mA})$	31.25	-	ns	
Cycle time (with MRDY)	t_{CYC}	MCLK		40	-	ns	If using MRDY, set MCLK to 25 MHz or less.
CS delay time	t_{CSO}	MCLK, MCSX0 to MCSX3		0.5	18	ns	
Address delay time	t_{AO}	MCLK, MAD0 to MAD21		0.5	18	ns	
RDY setup time	t_{RDYS}	MCLK, MRDY	"CMOS hysteresis input" and "Disable noise filter" are selected.	21	-	ns	
RDY hold time	t_{RDYH}	MCLK, MRDY		0	-	ns	



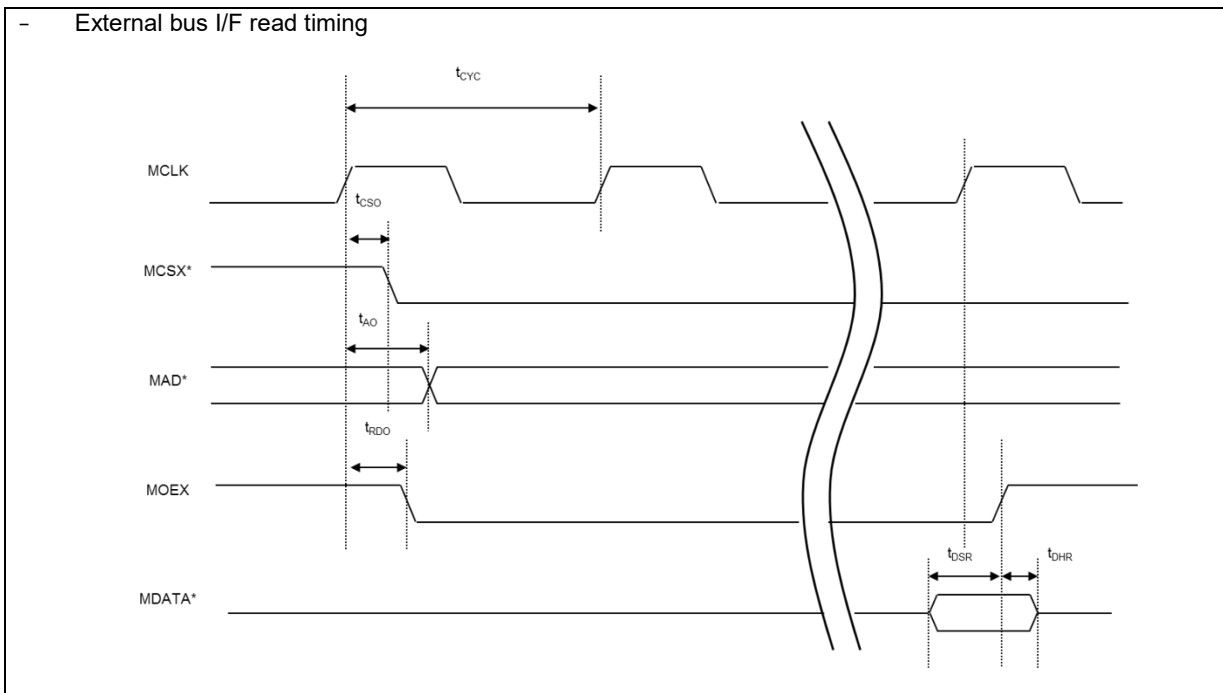
7.4.14.3 Read Timing

(TA: Recommended operating conditions, $V_{cc53_1} = 5.0\text{ V} \pm 10\%$, $V_{SS} = 0.0\text{ V}$)

Parameter	Symbol	Pin Name	Conditions	Value		Unit	Remarks
				Min	Max		
Data setup time	t_{DSR}	MOEX, MDATA0 to MDATA15	"CMOS hysteresis input" and "Disable noise filter" are selected.	$13.12 + t_{CYC}$	-	ns	
Data hold time	t_{DHR}	MOEX, MDATA0 to MDATA15		0	-	ns	
MOEX delay time	t_{RDO}	MCLK, MOEX	($C_L = 20\text{ pF}$, $I_{OH} = -5\text{ mA}$, $I_{OL} = 5\text{ mA}$)	0.5	11.25	ns	

(TA: Recommended operating conditions, $V_{cc53_1} = 3.3\text{ V} \pm 10\%$, $V_{SS} = 0.0\text{ V}$)

Parameter	Symbol	Pin Name	Conditions	Value		Unit	Remarks
				Min	Max		
Data setup time	t_{DSR}	MOEX, MDATA0 to MDATA15	"CMOS hysteresis input" and "Disable noise filter" are selected.	$21 + t_{CYC}$	-	ns	
Data hold time	t_{DHR}	MOEX, MDATA0 to MDATA15		0	-	ns	
MOEX delay time	t_{RDO}	MCLK, MOEX	($C_L = 20\text{ pF}$, $I_{OH} = -2\text{ mA}$, $I_{OL} = 2\text{ mA}$)	0.5	18	ns	



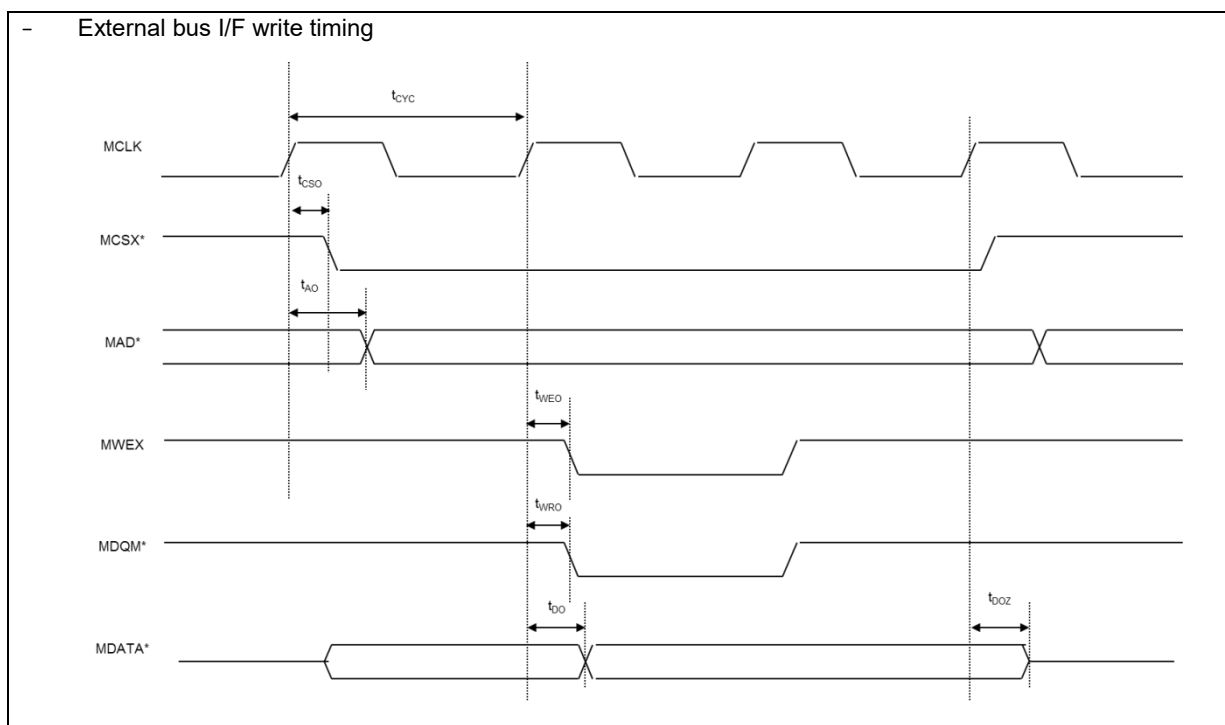
7.4.14.4 Write Timing

(T_A: Recommended operating conditions, V_{cc53_1} = 5.0 V ±10 %, V_{SS} = 0.0 V)

Parameter	Symbol	Pin Name	Conditions	Value		Unit	Remarks
				Min	Max		
MWEX delay time	t _{WEO}	MCLK, MWEX	(C _L = 20 pF, I _{OH} = -5 mA, I _{OL} = 5 mA)	0.5	11.25	ns	
Byte mask delay time	t _{WRO}	MCLK, MDQM0, MDQM1		0.5	11.25	ns	
Data delay time	t _{DO}	MCLK, MDATA0 to MDAT15		0.5	11.25	ns	
Data delay time (Hi-Z output)	t _{DOZ}	MCLK, MDATA0 to MDAT15		-	11.25	ns	

(T_A: Recommended operating conditions, V_{cc53_1} = 3.3 V ±10 %, V_{SS} = 0.0 V)

Parameter	Symbol	Pin Name	Conditions	Value		Unit	Remarks
				Min	Max		
MWEX delay time	t _{WEO}	MCLK, MWEX	(C _L = 20 pF, I _{OH} = -2 mA, I _{OL} = 2 mA)	0.5	18	ns	
Byte mask delay time	t _{WRO}	MCLK, MDQM0, MDQM1		0.5	18	ns	
Data delay time	t _{DO}	MCLK, MDATA0 to MDAT15		0.5	18	ns	
Data delay time (Hi-Z output)	t _{DOZ}	MCLK, MDATA0 to MDAT15		-	18	ns	



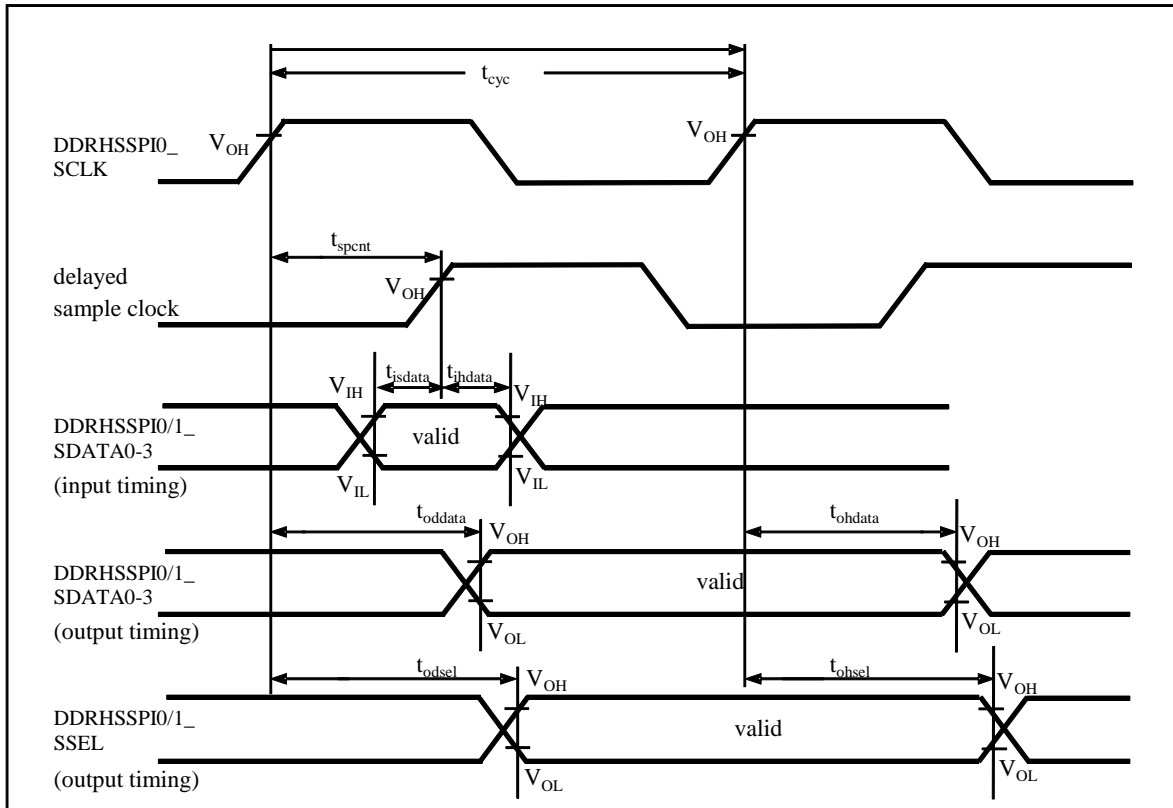
7.4.15 DDR-HSSPI

(1) DDR-HSSPI Interface Timing (SDR Mode)

(TA: Recommended operating conditions, $V_{CC53_2} = 3.3\text{ V} \pm 0.3\text{ V}$, $V_{SS} = 0.0\text{ V}$)

Parameter	Symbol	Pin Name	Conditions	Value		Unit	Remarks
				Min	Max		
HSSPI clock cycle	t_{cyc}	DDRHSSPI0_SCLK		14.3	-	ns	
DDRHSSPI_SCLK \uparrow → delayed sample clock \uparrow	t_{spcnt}	-		0	31.5	ns	
DDRHSSPI_SDATA →DDRHSSPI_SCLK \uparrow input setup time	t_{isdata}	DDRHSSPI0_SDATA0-3 DDRHSSPI1_SDATA0-3		*1	-	ns	
DDRHSSPI_SCLK \uparrow → DDRHSSPI_SDATA input hold time	t_{ihdata}	DDRHSSPI0_SDATA0-3 DDRHSSPI1_SDATA0-3	($C_L = 20\text{ pF}$, $I_{OH} = -15\text{ mA}$, $I_{OL} = 15\text{ mA}$)	*1	-	ns	
DDRHSSPI_SCLK \uparrow → DDRHSSPI_SDATA output delay time	t_{oddata}	DDRHSSPI0_SDATA0-3 DDRHSSPI1_SDATA0-3	or	-	$t_{cyc}/2 + 4.15$	ns	
DDRHSSPI_SCLK \uparrow → DDRHSSPI_SDATA output hold time	t_{ohdata}	DDRHSSPI0_SDATA0-3 DDRHSSPI1_SDATA0-3	($C_L = 20\text{ pF}$, $I_{OH} = -5\text{ mA}$, $I_{OL} = 5\text{ mA}$)	$t_{cyc}/2 - 5.15$	-	ns	
DDRHSSPI_SSEL \downarrow → DDRHSSPI_SCLK output delay time	t_{odsel}	DDRHSSPI0_SSEL DDRHSSPI1_SSEL		$-18.45 + (SS2CD + 0.5) * t_{cyc}$	-	ns	
DDRHSSPI_SCLK \uparrow → DDRHSSPI_SSEL output hold time	t_{ohsel}	DDRHSSPI0_SSEL DDRHSSPI1_SSEL		$t_{cyc} - 4.15$	-	ns	

- SS2CD [1:0] should be configured as 11 (binary number).
- For *1, the delay of the delay sample clock can be configured (DLP function).

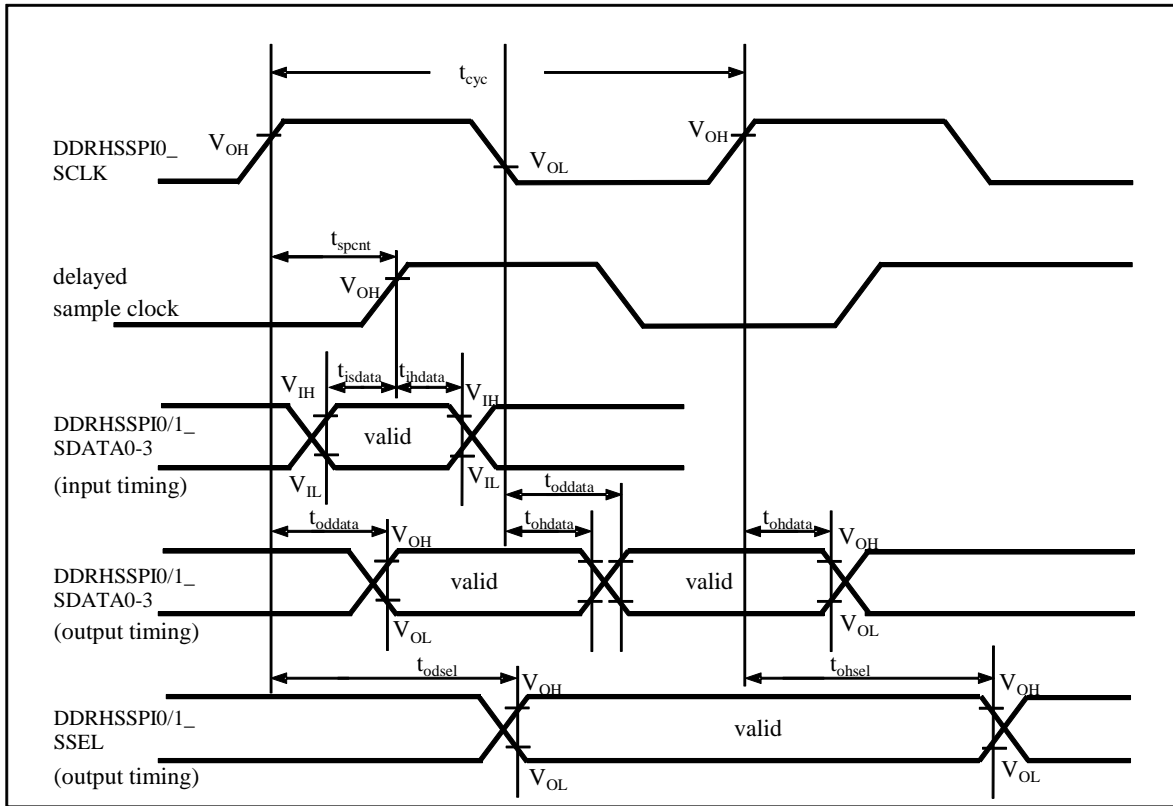


(2) DDR-HSSPI Interface Timing (DDR Mode)

 (TA: Recommended operating conditions, $V_{CC53_2} = 3.3\text{ V} \pm 0.3\text{ V}$, $V_{SS} = 0.0\text{ V}$)

Parameter	Symbol	Pin Name	Conditions	Value		Unit	Remarks
				Min	Max		
HSSPI clock cycle	t_{cyc}	DDRHSSPI0_SCLK	(C _L = 20 pF, I _{OH} = -15 mA, I _{OL} = 15 mA) or (C _L = 20 pF, I _{OH} = -5 mA, I _{OL} = 5 mA)	14.3	-	ns	
DDRHSSPI_SCLK↓ →delayed sample clock↑	t_{spcnt}	-		0	31.5	ns	
DDRHSSPI_SDATA→ DDRHSSPI_SCLK↓ input setup time	t_{isdata}	DDRHSSPI0_SDATA0-3 DDRHSSPI1_SDATA0-3		*1	-	ns	
DDRHSSPI_SCLK↓ →DDRHSSPI_SDATA input hold time	t_{ihdata}	DDRHSSPI0_SDATA0-3 DDRHSSPI1_SDATA0-3		*1	-	ns	
DDRHSSPI_SCLK↑ →DDRHSSPI_SDATA output delay time	t_{oddata}	DDRHSSPI0_SDATA0-3 DDRHSSPI1_SDATA0-3		-	$t_{cyc}/4 + 1.95$	ns	
DDRHSSPI_SCLK↓ →DDRHSSPI_SDATA output hold time	t_{ohdata}	DDRHSSPI0_SDATA0-3 DDRHSSPI1_SDATA0-3		$t_{cyc}/4 - 2.0$	-	ns	
DDRHSSPI_SSEL↓→ DDRHSSPI_SCLK output delay time	t_{odsel}	DDRHSSPI0_SSEL DDRHSSPI1_SSEL		$-18.45 + (SS2CD + 0.5) * t_{cyc}$	-	ns	
DDRHSSPI_SCLK↑→ DDRHSSPI_SSEL output hold time	t_{ohsel}	DDRHSSPI0_SSEL DDRHSSPI1_SSEL		$0.75 * t_{cyc} - 2.45$	-	ns	

- SS2CD [1:0] should be configured as 11 (binary number).
- For *1, the delay of the delay sample clock can be configured (DLP function)



7.4.16 Port Noise Filter

(Condition: See section 7.2 Recommended Operating Conditions)

Parameter	Symbol	Pin Name	Conditions	Value		Unit	Remarks
				Min	Max		
Input pulse filtered	-	ALL GPIO	-	-	17	ns	*1

*1: Input pulse is filtered up to 17 ns when port noise filter is enabled. Filtering of input pulse more than 17 ns is not guaranteed.

7.4.17 Clock Monitor

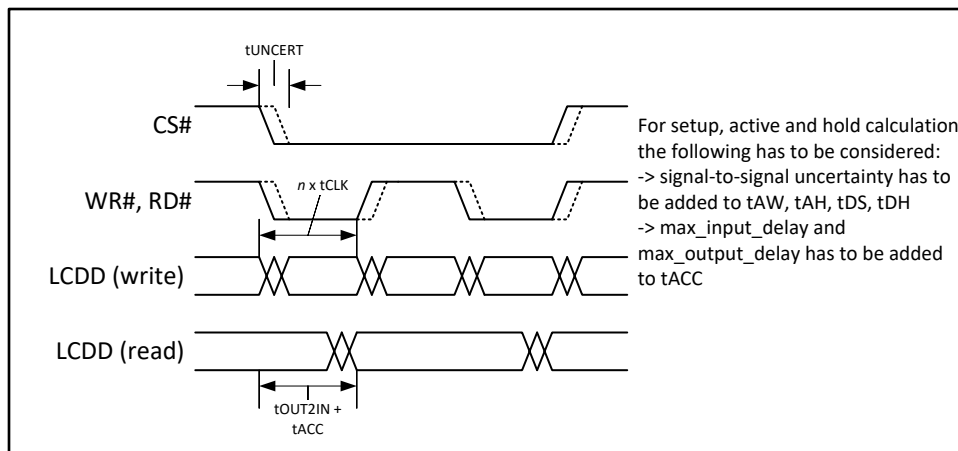
(Condition: See section 7.2 Recommended Operating Conditions)

Parameter	Symbol	Pin Name	Conditions	Value		Unit	Remarks
				Min	Max		
Clock monitor frequency	-	SYSC0_CLK_0, SYSC0_CLK_1	-	-	10	MHz	

7.4.18 LCD Bus I/F

(Condition: See section 7.2 Recommended Operating Conditions)

Parameter	Symbol	Pin Name	Conditions	Value		Unit	Remarks
				Min	Max		
Clock cycle time	t_{CLK}	WR#, RD#	(C _L = 20 pF, I _{OH} = -5 mA, I _{OL} = 5 mA),	25	-	ns	
Signal-to-Signal uncertainty	t_{UNCERT}	CS#		-	5.0	ns	
Output to input duration	t_{OUT2IN}	LCDD0 to LCDD17		-	28.0	ns	



Note:

- To calculate interface timing, see the LCD controller specification of the external display for the required AC characteristics and S6J3360/S6J3370 Series hardware manual.

7.4.19 I2S

7.4.19.1 I2S Timing – Master Mode (MSMD = 1)

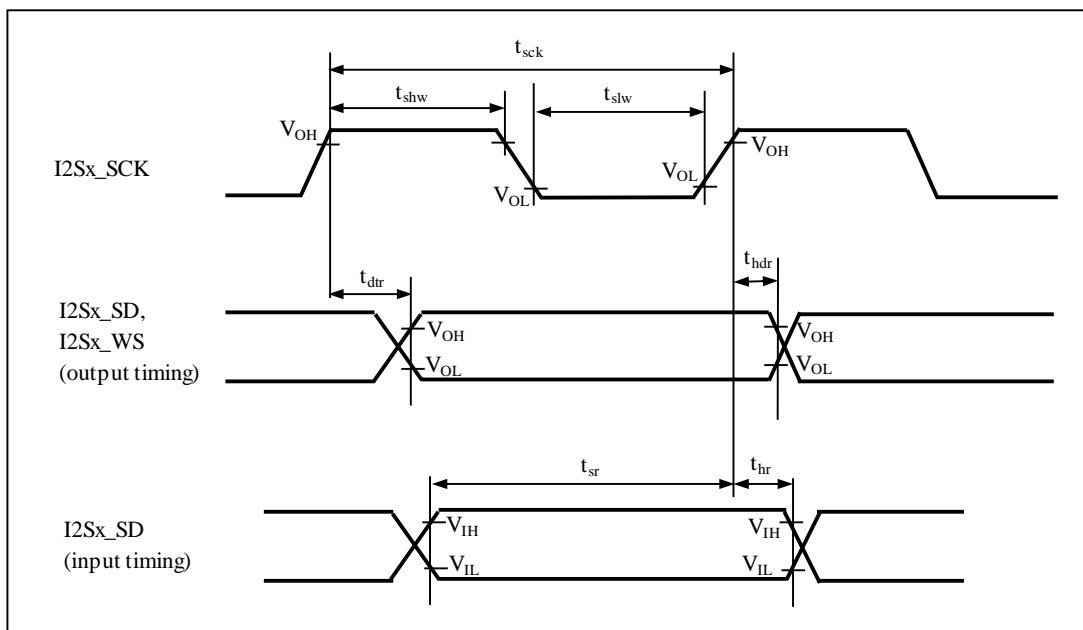
(Condition: See section 7.2 Recommended Operating Conditions)

Parameter	Symbol	Pin Name	Conditions	Value		Unit	Remarks	
				Min	Max			
ECLK0/ECLK1 clock cycle	t_{eck}			20	-	ns		
ECLK0/ECLK1 clock "H" pulse width	t_{ehw}	I2S0_ECLK_0/1 I2S1_ECLK_0		0.40* t_{eck}	0.60* t_{eck}	ns	Only relevant if external ECLK input is selected. *1	
ECLK0/ECLK1 clock "L" pulse width	t_{elw}			0.40* t_{eck}	0.60* t_{eck}	ns		
I2S clock cycle (output SCK)	t_{sck}			100	-	ns		
I2S clock "H" pulse width	t_{shw}	I2S0_SCK_0/1, I2S1_SCK_0	(C _L = 20 pF, I _{OH} = -5 mA, I _{OL} = 5 mA)	0.35* t_{sck}	0.65* t_{sck}	ns		
I2S clock "L" pulse width	t_{slw}				0.35* t_{sck}	0.65* t_{sck}	ns	
Sender delay time SCK↑ -> SD/WS valid	t_{dtr}	I2S0_SCK_0/1, I2S1_SCK_0, I2S0_SD_0/1, I2S1_SD_0, I2S0_WS_0/1, I2S1_WS_0		CPOL = 0, SMPL = 1	-	26	ns	*2
Sender hold time SCK↑ -> SD/WS invalid	t_{htr}			-10	-	ns	*2	
Receiver setup time SD valid -> SCK↑	t_{sr}	I2S0_SCK_0/1, I2S1_SCK_0, I2S0_SD_0/1, I2S1_SD_0		40	-	ns	*2	
Receiver hold time SCK↑ -> SD valid	t_{hr}			10	-	ns	*2	

Notes:

*1: ECKM = 1. See the Resource Input Configuration chapter in TRM for required RESSEL register settings.

*2: See the I2S register description chapter in TRM for different combinations of clock polarity (CPOL), sampling point position (SMPL), polarity/pulse_width/frame_sync phase of WS (FSPL, FSLN, FSPH). Actual waveforms and relevant clock edges will change accordingly; the delay values as per above table will remain the same.



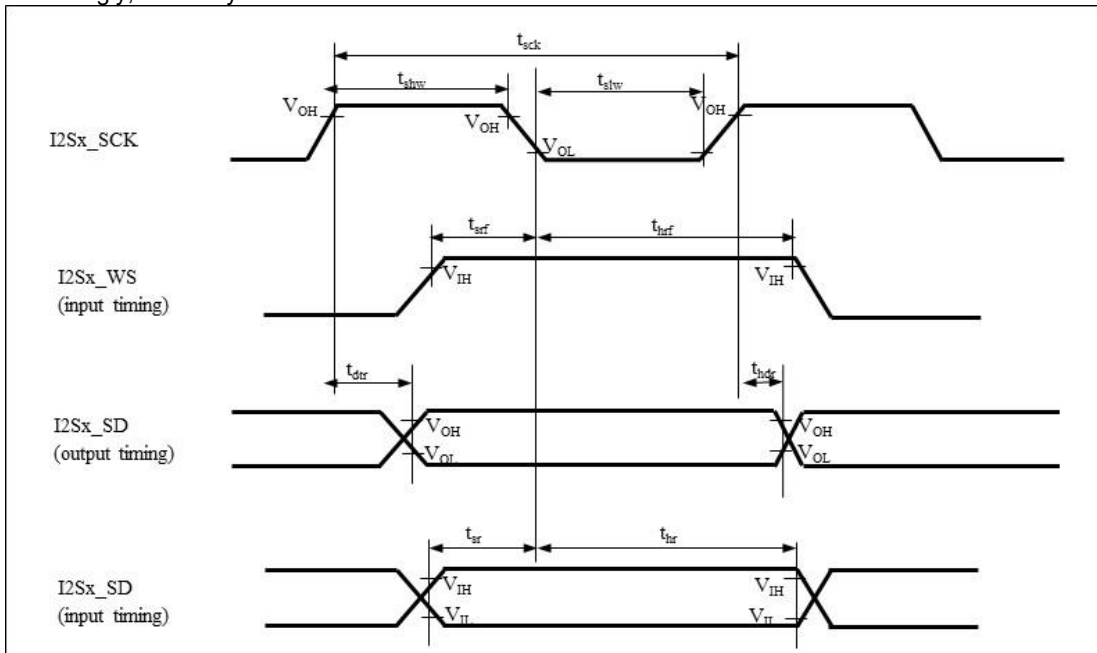
7.4.19.2 I2S Timing – Slave Mode (MSMD = 0)

(Condition: See section 7.2 Recommended Operating Conditions)

Parameter	Symbol	Pin Name	Conditions	Value		Unit	Remarks
				Min	Max		
I2S clock cycle (input SCK)	t_{sck}	I2S0_SCK_0/1, I2S1_SCK_0	(CL = 20 pF, IOH = -5 mA, IOL = 5 mA) CPOL = 0, SMPL = 0	100	-	ns	
I2S clock "H" pulse width	t_{shw}	I2S0_SCK_0/1, I2S1_SCK_0		$0.40 \cdot t_{sck}$	$0.60 \cdot t_{sck}$	ns	
I2S clock "L" pulse width	t_{slw}			$0.40 \cdot t_{sck}$	$0.60 \cdot t_{sck}$	ns	
Setup time WS transition -> SCK↓	t_{srf}	I2S0_SCK_0/1, I2S1_SCK_0, I2S0_WS_0/1, I2S1_WS_0		40	-	ns	*1
Hold time SCK↓ -> WS transition	t_{hrf}			10	-	ns	*1
Sender delay time SCK↑ -> SD valid	t_{dtr}	I2S0_SCK_0/1, I2S1_SCK_0, I2S0_SD_0/1, I2S1_SD_0		-	31	ns	*1
Sender hold time SCK↑ -> SD invalid	t_{thr}			-10	-	ns	*1
Receiver setup time SD valid -> SCK↓	t_{sr}	I2S0_SCK_0/1, I2S1_SCK_0, I2S0_SD_0/1, I2S1_SD_0		21	-	ns	*1
Receiver hold time SCK↓ -> SD valid	t_{hr}		10	-	ns	*1	

Notes:

*1: See the I2S register description chapter in the TRM for different combinations of clock polarity (CPOL), sampling point position (SMPL), polarity/pulse_width/frame_sync phase of WS (FSPL, FSLN, FSPH). Actual waveforms and relevant clock edges will change accordingly; the delay values based on the table above will remain the same.



7.5 A/D Converter

7.5.1 Electrical Characteristics

(T_A: Recommended operating conditions, V_{CC} = AV_{CC5} = 5.0 V ± 0.5 V, V_{SS} = AV_{SS} = 0.0 V)

Parameter	Symbol	Pin Name	Value			Unit	Remarks
			Min	Typ	Max		
Resolution	-	-	-	-	12	bit	
Total error	-	-	-	-	±6	LSB	*3
	-	-	-	-	±12	LSB	*4
Integral Non linearity	-	-	-	-	±4.0	LSB	*5
Differential Non linearity	-	-	-	-	±1.9	LSB	*5
Zero transition voltage	V _{ZT}	ADC0_AN0 to ADC0_AN47	AVRL - 11.5LSB	-	AVRL + 12.5LSB	V	*4
Full-scale transition voltage	V _{FST}	ADC0_AN0 to ADC0_AN47	AVRH - 13.5LSB	-	AVRH + 10.5LSB	V	*4
Sampling time	t _{SMP}	-	0.8	-	-	µs	*1
Compare time	t _{CMP}	-	0.7	-	26	µs	*1
A/D conversion time	t _{CNV}	-	1.5	-	-	µs	*1
Resumption time	-	-	-	-	1	µs	
Analog port input current	I _{AIN}	ADC0_AN0 to ADC0_AN2, ADC0_AN24 to ADC0_AN47	-2	-	2	µA	AV _{SS} ≤ V _{AIN} ≤ AV _{CC5}
		ADC0_AN3 to ADC0_AN23	-1	-	1		
Analog input voltage	V _{AIN}	ADC0_AN0 to ADC0_AN47	AVRL	-	AVRH	V	
Analog input capacitance	C _{VIN}	ADC0_AN0 to ADC0_AN47	-	-	18	pF	
Analog input resistance	R _{VIN}	ADC0_AN0 to ADC0_AN47	-	-	4.5	kΩ	
Reference voltage	AVRH	AVRH5	4.5	-	5.5	V	AV _{CC5} ≥ AVRH
	AVRL	AVRL5/AVSS	-	0.0	-	V	
Power supply current	I _A	AVCC5	-	600	700	µA	
	I _{AH}	AVCC5	-	1.0	100	µA	*2
	I _R	AVRH5	-	0.7	1.95	mA	
	I _{RH}	AVRH5	-	-	5.0	µA	*2
Variation between channels	-	ADC0_AN0 to ADC0_AN47	-	-	4.0	LSB	

*1: Time per channel

*2: Definition of the power supply current (when V_{CC5} = AV_{CC5} = 5.0 V) while the A/D converter is not operating and in stop mode.

*3: Total error is a comprehensive static error that includes the linearity after trimming by software. 1 LSB = (AVRH - AVRL)/4096

*4: 1 LSB = (AVRH - AVRL)/4096

*5: 1 LSB = (VFST - VZT)/4094

(T_A: Recommended operating conditions, V_{CC} = AV_{CC5} = 3.3 V ± 0.3 V, V_{SS} = AV_{SS} = 0.0 V)

Parameter	Symbol	Pin Name	Value			Unit	Remarks
			Min	Typ	Max		
Resolution	-	-	-	-	12	bit	
Total error	-	-	-	-	±6	LSB	*3
Integral Non linearity	-	-	-	-	±4.0	LSB	*5
Differential Non linearity	-	-	-	-	±1.9	LSB	*5
Zero transition voltage	V _{ZT}	ADC0_AN0 to ADC0_AN47	AVRL - 14.5LSB	-	AVRL + 15.5LSB	V	*4
Full-scale transition voltage	V _{FST}	ADC0_AN0 to ADC0_AN47	AVRH - 16.5LSB	-	AVRH + 13.5LSB	V	*4
Sampling time	t _{SMP}	-	1.0	-	-	µs	*1
Compare time	t _{CMP}	-	1.4	-	26	µs	*1
A/D conversion time	t _{CNV}	-	2.4	-	-	µs	*1
Resumption time	-	-	-	-	1	µs	
Analog port input current	I _{AIN}	ADC0_AN0 to ADC0_AN2, ADC0_AN24 to ADC0_AN47	-2	-	2	µA	AV _{SS} ≤ V _{AIN} ≤ AV _{CC5}
		ADC0_AN3 to ADC0_AN23	-1	-	1		
Analog input voltage	V _{AIN}	ADC0_AN0 to ADC0_AN47	AVRL	-	AVRH	V	
Analog input capacitance	C _{VIN}	ADC0_AN0 to ADC0_AN47	-	-	18	pF	
Analog input resistance	R _{VIN}	ADC0_AN0 to ADC0_AN47	-	-	6	kΩ	
Reference voltage	AVRH	AVRH5	3	-	3.6	V	AV _{CC5} ≥ AVRH
	AVRL	AVRL5/AVSS	-	0.0	-	V	
Power supply current	I _A	AVCC5	-	600	700	µA	
	I _{AH}	AVCC5	-	1.0	100	µA	*2
	I _R	AVRH5	-	0.5	1.3	mA	
	I _{RH}	AVRH5	-	-	7.0	µA	*2
Variation between channels	-	ADC0_AN0 to ADC0_AN47	-	-	4.0	LSB	

*1: Time per channel

*2: Definition of the power supply current (when V_{CC5} = AV_{CC5} = 3.3 V) while the A/D converter is not operating and in stop mode.

*3: Total error is a comprehensive static error that includes the linearity after trimming by software. 1 LSB = (AVRH - AVRL)/4096

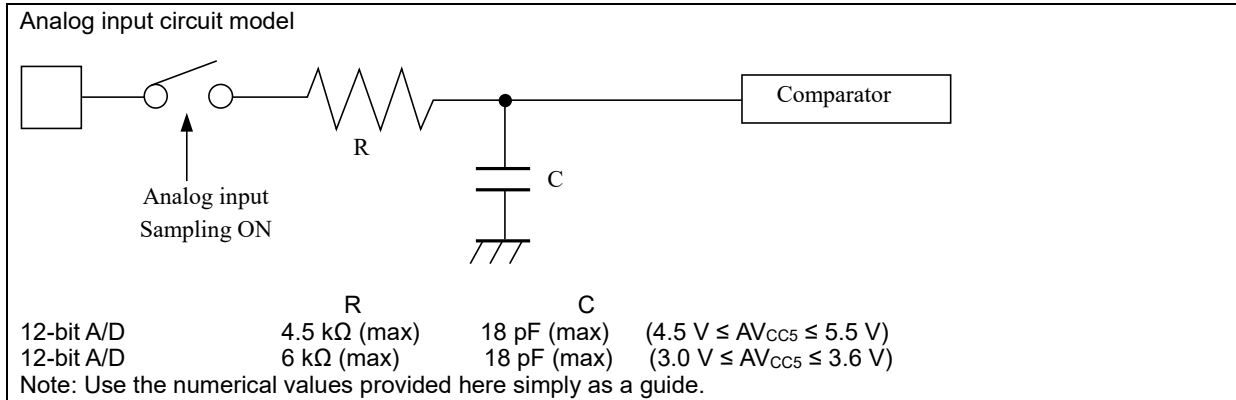
*4: 1 LSB = (AVRH - AVRL)/4096

*5: 1 LSB = (VFST - VZT)/4094

7.5.2 Notes on A/D Converters

Output Impedance of an External Circuit for Analog Input

When the external impedance is too high, the analog voltage sampling time may become insufficient. In this case, we recommend attaching a capacitor (about 0.1 μF) to an analog input pin.



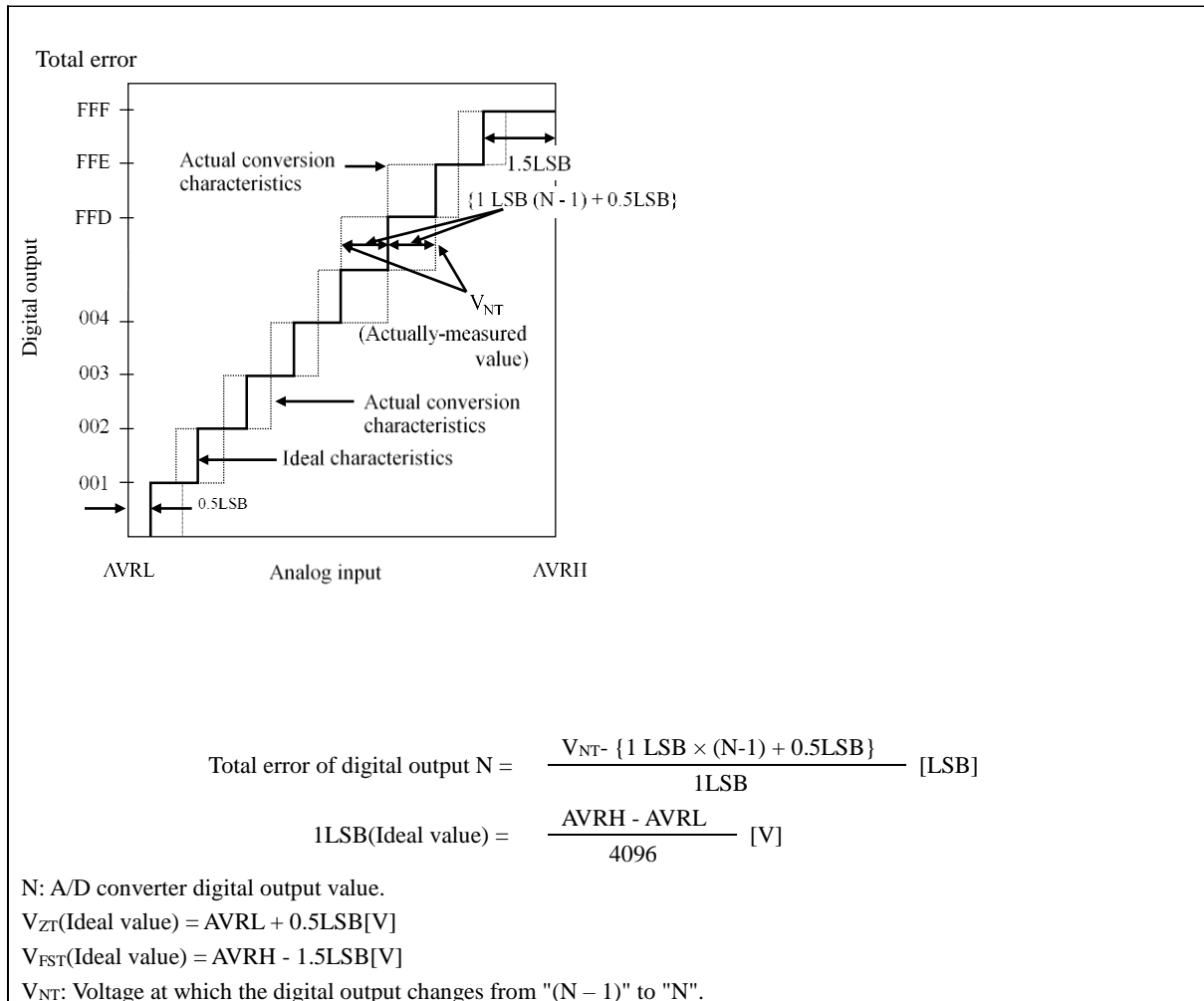
7.5.3 Glossary

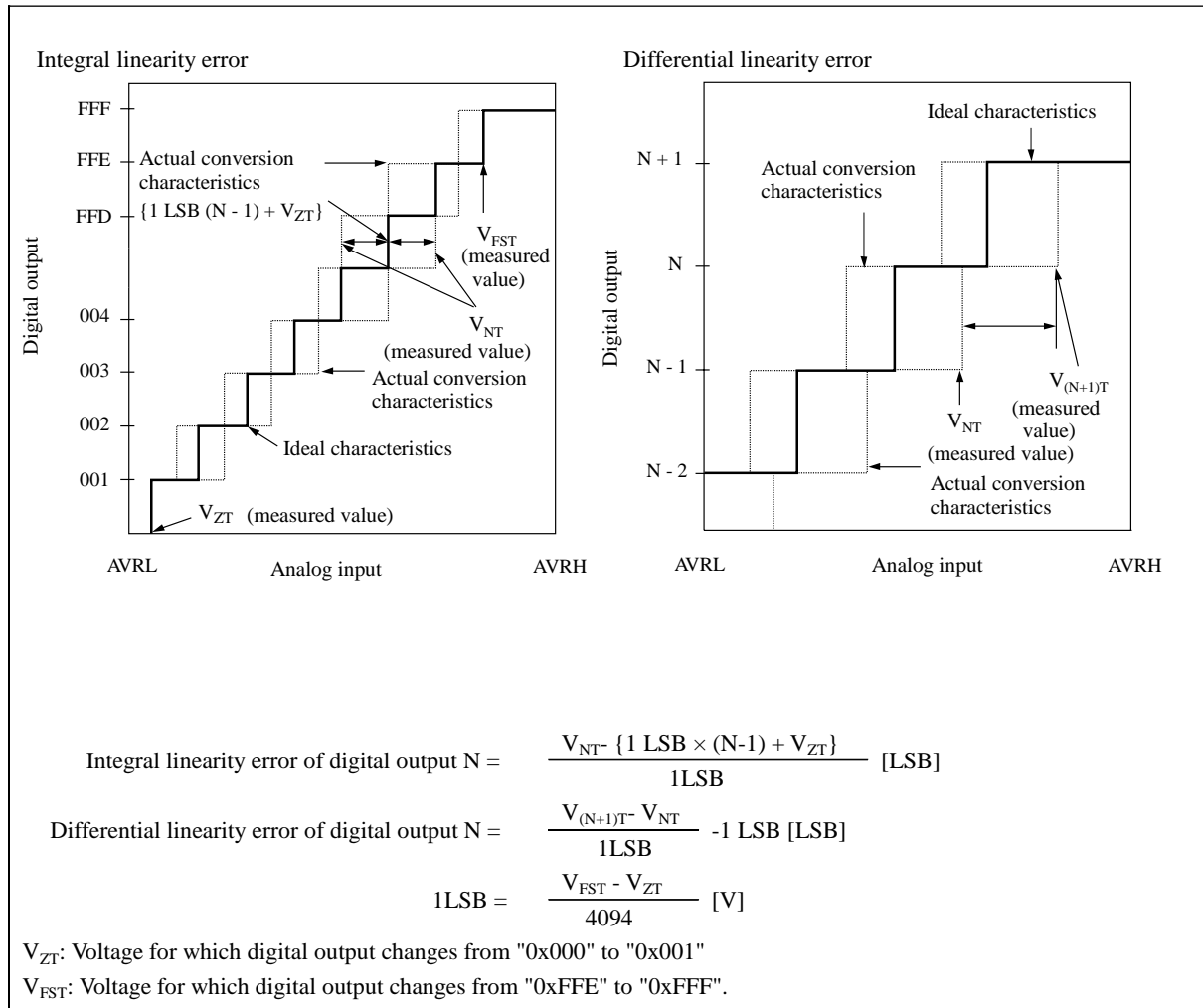
Resolution: Analog change that can be identified by an A/D converter.

Integral linearity error: Deviation of the straight line connecting the zero transition point ("0000 0000 0000" <--> "0000 0000 0001") and full-scale transition point ("1111 1111 1110" <--> "1111 1111 1111") from actual conversion characteristics includes zero transition error, full-scale transition error, and non-linearity error.

Differential linearity error: Deviation from the ideal value of the input voltage required for changing the output code by 1 LSB.

Total error: Difference between the actual value and the theoretical value.





7.6 Flash Memory

7.6.1 Electrical Characteristics

Parameter	Value			Unit	Remarks
	Min	Typ	Max		
Sector erase time	-	120	180	ms	Large sector ^{*1} Internal preprogramming time included
	-	120	180	ms	8 kB sector ^{*1} Internal preprogramming time included
	-	120	180	ms	4 kB sector ^{*2} Internal preprogramming time included
32-bit write time (Program)	-	30	60	μs	System-level overhead time excluded ^{*1}
64-bit write time (Program)	-	30	60	μs	System-level overhead time excluded ^{*1}
256-bit write time (Program)	-	40	70	μs	System-level overhead time excluded ^{*1}
32-bit write time (Work)	-	30	60	μs	System-level overhead time excluded ^{*2}
Erase count / Data retention time (Program)	1,000/20 years	-	-	-	Temperature at write/erase time. Average temperature T _A = +85 °C
Erase count / Data retention time (Work)	1,000/20 years 10,000/10 years 100,000/5 years	-	-	-	Temperature at write/erase time. Average temperature T _A = +85 °C

*1: Guaranteed value for up to 1,000 erases

*2: Guaranteed value for up to 100,000 erases

7.6.2 Notes

While the flash memory is written or erased, shutdown of the external power (V_{CC5}) is prohibited.

In application systems, where V_{CC5} may be shut down while writing or erasing, be sure to turn the power off by using an external voltage detection function.

In other words, after the external power supply voltage falls below the detection voltage (V_{DL}), hold V_{CC5} at 2.7 V or more within the duration calculated by the following expression:

$$T_d^{*1} [\mu s] + (1 / F_{CRF}^{*2} [MHz]) \times 1029 + 25 [\mu s]$$

*1: See [Low Voltage Detection \(External Voltage\)](#)

*2: See [Source Clock Timing](#)

8. Ordering Information

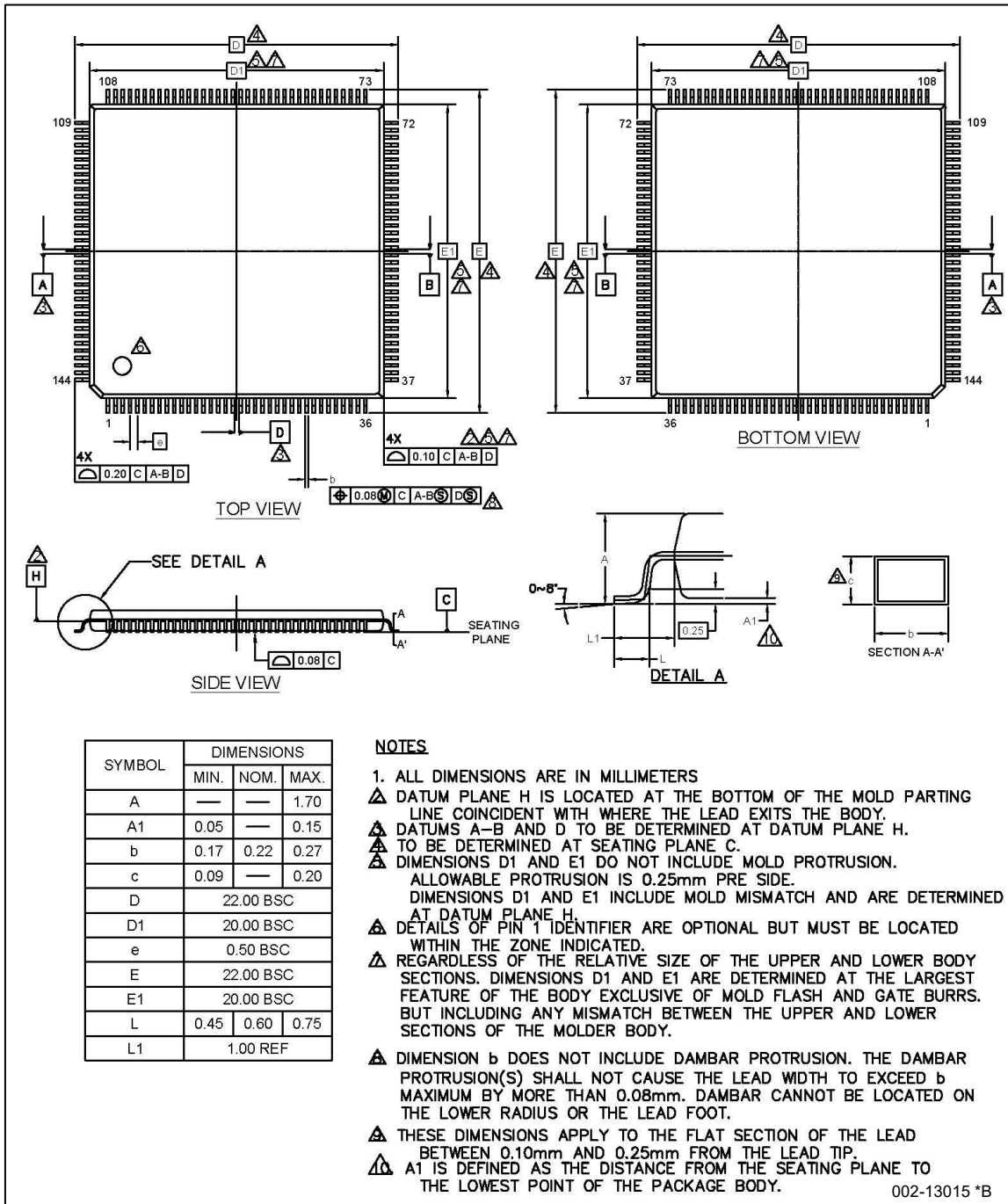
Part Number	Package
S6J336CHSBSV20000	LQS144 (144-pin 0.5-mm pitch plastic LQFP)
S6J336AHSBSL20000	LQN144 (144-pin 0.4-mm pitch plastic LQFP)
S6J336CHSBSL20000	LQN144 (144-pin 0.4-mm pitch plastic LQFP)
S6J336AJABSE20000	LEF176 (176-pin 0.5-mm pitch plastic TEQFP)
S6J336AJEBSE20000	LEF176 (176-pin 0.5-mm pitch plastic TEQFP)
S6J336AJSBSE20000	LEF176 (176-pin 0.5-mm pitch plastic TEQFP)
S6J336AJTBSE20000	LEF176 (176-pin 0.5-mm pitch plastic TEQFP)
S6J336CJABSE20000	LEF176 (176-pin 0.5-mm pitch plastic TEQFP)
S6J336CJEBSE20000	LEF176 (176-pin 0.5-mm pitch plastic TEQFP)
S6J336CJSBSE20000	LEF176 (176-pin 0.5-mm pitch plastic TEQFP)
S6J336CJTBSE20000	LEF176 (176-pin 0.5-mm pitch plastic TEQFP)
S6J337BJSBSE20000	LEF176 (176-pin 0.5-mm pitch plastic TEQFP)
S6J337CJSBSE20000	LEF176 (176-pin 0.5-mm pitch plastic TEQFP)
S6J336AHABSE20000	LEJ144 (144-pin 0.5-mm pitch plastic TEQFP)
S6J336AHEBSE20000	LEJ144 (144-pin 0.5-mm pitch plastic TEQFP)
S6J336AHSBSE20000	LEJ144 (144-pin 0.5-mm pitch plastic TEQFP)
S6J336AHTBSE20000	LEJ144 (144-pin 0.5-mm pitch plastic TEQFP)
S6J336CHABSE20000	LEJ144 (144-pin 0.5-mm pitch plastic TEQFP)
S6J336CHEBSE20000	LEJ144 (144-pin 0.5-mm pitch plastic TEQFP)
S6J336CHSBSE20000	LEJ144 (144-pin 0.5-mm pitch plastic TEQFP)
S6J336CHTBSE20000	LEJ144 (144-pin 0.5-mm pitch plastic TEQFP)
S6J336CHTBSE2D000	LEJ144 (144-pin 0.5-mm pitch plastic TEQFP)
S6J337AHTBSE20000	LEJ144 (144-pin 0.5-mm pitch plastic TEQFP)
S6J337AHUBSE20000	LEJ144 (144-pin 0.5-mm pitch plastic TEQFP)

Part Number	Package
S6J336AHABSC20000	LEG144 (144-pin 0.4-mm pitch plastic TEQFP)
S6J336AHEBSC20000	LEG144 (144-pin 0.4-mm pitch plastic TEQFP)
S6J336AHSBSC20000	LEG144 (144-pin 0.4-mm pitch plastic TEQFP)
S6J336AHTBSC20000	LEG144 (144-pin 0.4-mm pitch plastic TEQFP)
S6J336CHABSC20000	LEG144 (144-pin 0.4-mm pitch plastic TEQFP)
S6J336CHEBSC20000	LEG144 (144-pin 0.4-mm pitch plastic TEQFP)
S6J336CHSBSC20000	LEG144 (144-pin 0.4-mm pitch plastic TEQFP)
S6J336CHTBSC20000	LEG144 (144-pin 0.4-mm pitch plastic TEQFP)

9. Package Dimensions

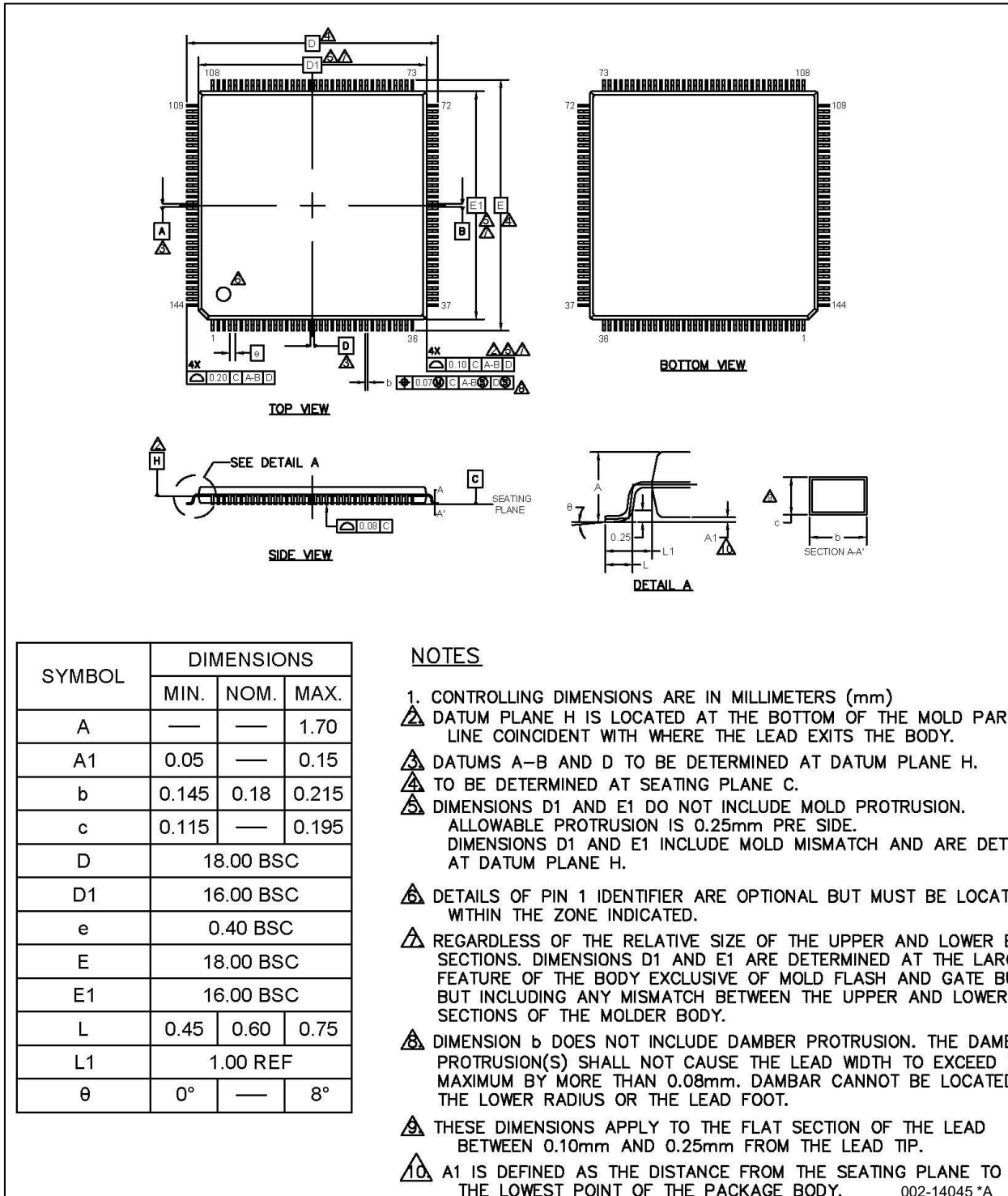
9.1 LQFP144 (0.5 mm)

Package Type	Package Code
LQFP 144	LQS 144



9.2 LQFP144 (0.4 mm)

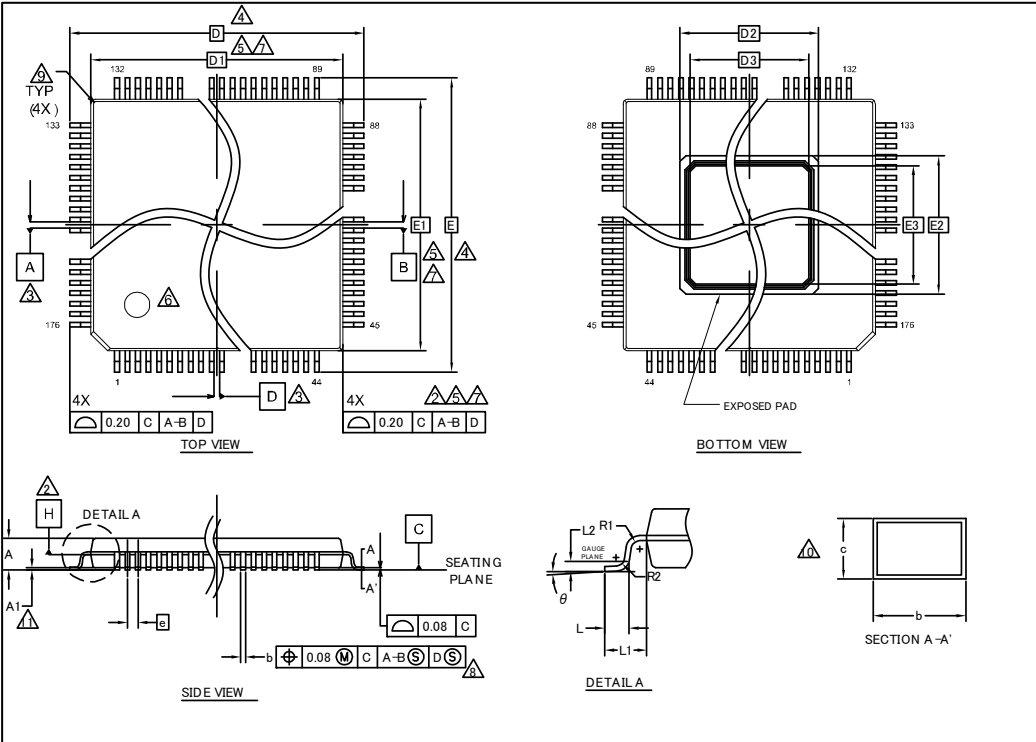
Package Type	Package Code
LQFP 144	LQN 144



SYMBOL	DIMENSIONS		
	MIN.	NOM.	MAX.
A	—	—	1.70
A1	0.05	—	0.15
b	0.145	0.18	0.215
c	0.115	—	0.195
D	18.00 BSC		
D1	16.00 BSC		
e	0.40 BSC		
E	18.00 BSC		
E1	16.00 BSC		
L	0.45	0.60	0.75
L1	1.00 REF		
θ	0°	—	8°

9.3 TEQFP176

Package Type	Package Code
TEQFP 176	LEF176



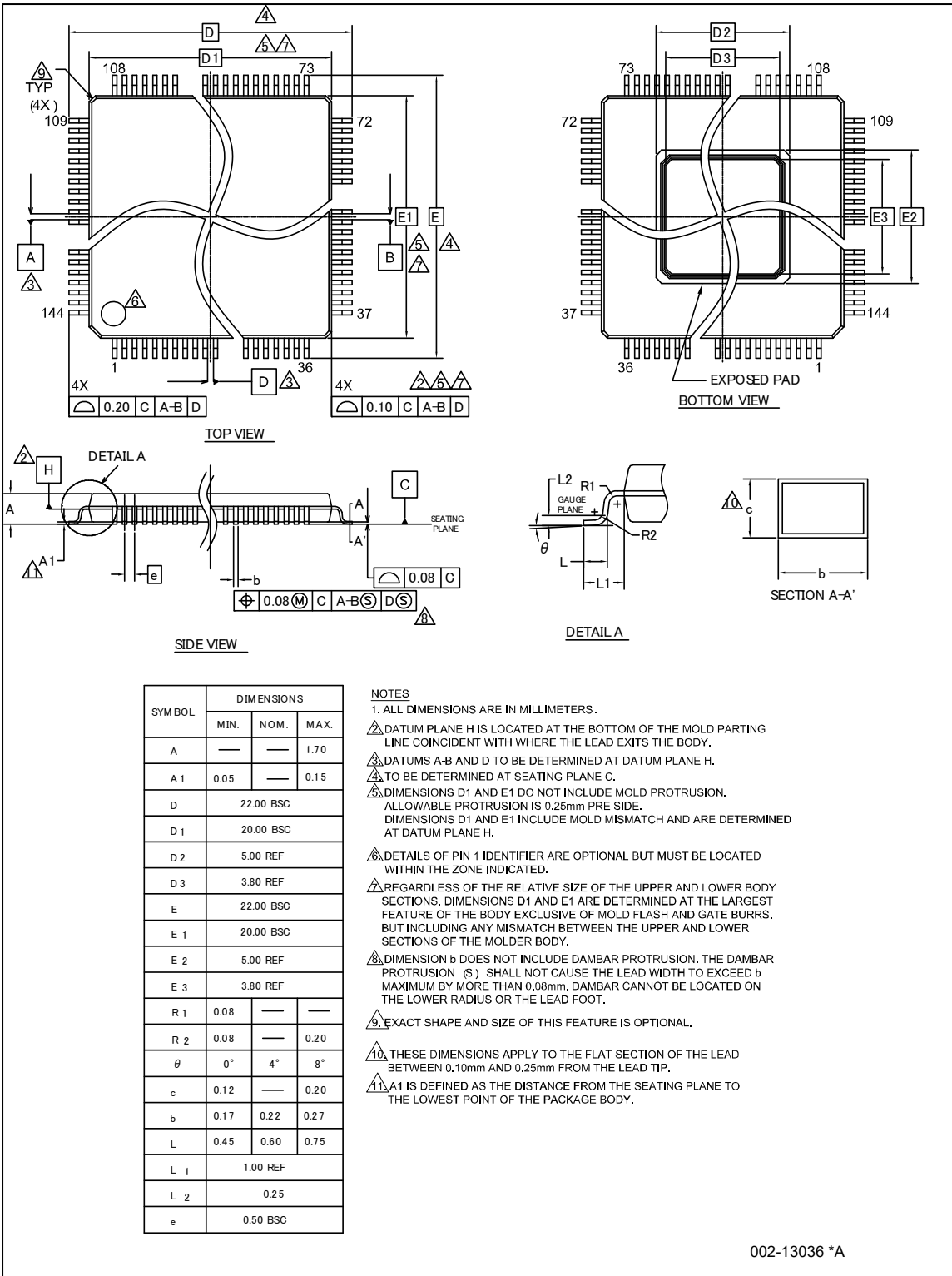
SYMBOL	DIMENSION		
	MIN.	NOM.	MAX.
A	—	—	1.70
A1	0.05	—	0.15
D	26.00 BSC		
D1	24.00 BSC		
D2	5.60 REF		
D3	4.40 REF		
E	26.00 BSC		
E1	24.00 BSC		
E2	5.60 REF		
E3	4.40 REF		
R1	0.08	—	0.20
R2	0.08	—	—
θ	0°	2°	8°
c	0.09	—	0.20
b	0.17	0.22	0.27
L	0.45	0.60	0.75
L1	1.00 REF		
L2	0.25		
e	0.50 BSC		

- NOTES**
- ALL DIMENSIONS ARE IN MILLIMETERS.
 - DATUM PLANE H IS LOCATED AT THE BOTTOM OF THE MOLD PARTING LINE COINCIDENT WITH WHERE THE LEAD EXITS THE BODY.
 - DATUMS A-B AND D TO BE DETERMINED AT DATUM PLANE H.
 - TO BE DETERMINED AT SEATING PLANE C.
 - DIMENSIONS D1 AND E1 DO NOT INCLUDE MOLD PROTRUSION. ALLOWABLE PROTRUSION IS 0.25mm PRE SIDE. DIMENSIONS D1 AND E1 INCLUDE MOLD MISMATCH AND ARE DETERMINED AT DATUM PLANE H.
 - DETAILS OF PIN 1 IDENTIFIER ARE OPTIONAL BUT MUST BE LOCATED WITHIN THE ZONE INDICATED.
 - REGARDLESS OF THE RELATIVE SIZE OF THE UPPER AND LOWER BODY SECTIONS, DIMENSIONS D1 AND E1 ARE DETERMINED AT THE LARGEST FEATURE OF THE BODY EXCLUSIVE OF MOLD FLASH AND GATE BURRS, BUT INCLUDING ANY MISMATCH BETWEEN THE UPPER AND LOWER SECTIONS OF THE MOLDER BODY.
 - DIMENSION b DOES NOT INCLUDE DAMBAR PROTRUSION. THE DAMBAR PROTRUSION (S) SHALL NOT CAUSE THE LEAD WIDTH TO EXCEED b MAXIMUM BY MORE THAN 0.08mm. DAMBAR CANNOT BE LOCATED ON THE LOWER RADIUS OR THE LEAD FOOT.
 - EXACT SHAPE AND SIZE OF THIS FEATURE IS OPTIONAL.
 - THESE DIMENSIONS APPLY TO THE FLAT SECTION OF THE LEAD BETWEEN 0.10mm AND 0.25mm FROM THE LEAD TIP.
 - A1 IS DEFINED AS THE DISTANCE FROM THE SEATING PLANE TO THE LOWEST POINT OF THE PACKAGE BODY.

002-18363 **

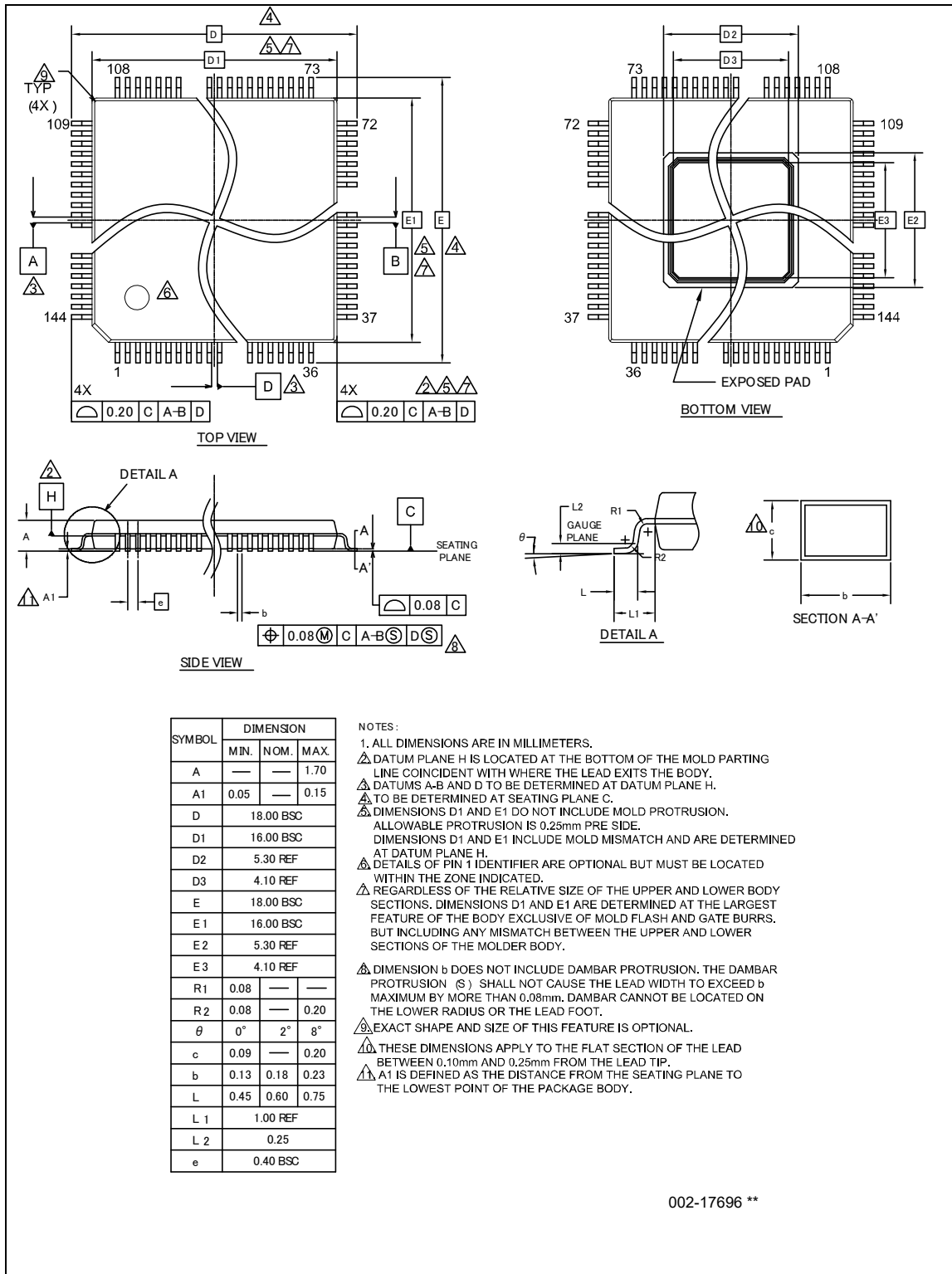
9.4 TEQFP144 (0.5 mm)

Package Type	Package Code
TEQFP 144	LEJ 144



9.5 TEQFP144 (0.4 mm)

Package Type	Package Code
TEQFP 144	LEG 144



002-17696 **

10. Acronyms

Acronym	Definition
A/D converter	Analog digital converter
ADC	Analog-to-digital converter
AHB	Advanced high-performance bus
APB	Advanced peripheral bus
AXI	Advanced extensible interface
BT	Base timer
CAN	Controller area network
CAN FD	Controller area network with flexible data rate
CD	Clock domain
CPU	Central processing unit
CR	CR oscillator
CRC	Cyclic redundancy check
CSV	Clock supervisor
DDR	Double data rate
DDRHSSPI	DDR High Speed SPI
DMA	Direct memory access
DMAC	DMA controller
EBI	External bus interface
ECC	Error correction code
ETM	Embedded trace macro
EXT IRC	External interrupt controller
EXT IRQ	External interrupt request
FPU	Floating point unit
FRT	Free-run timer
GPIO	General-purpose I/O
GT	Global timer
HPM	High-performance matrix
HW-WDT	Hardware watchdog timer
I/O	Input or output
ICU	Input capture unit
IND PWM	Indicator pulse width modulation
IRC	Interrupt controller
IRQ	Interrupt request
I2S	Inter-IC sound
JTAG	Joint Test Action Group
LCD	Liquid crystal display
LCDC	LCD controller
LCD_IF	LCD bus interface
LIN	local interconnect network
LVD	Low-voltage detector
MCU	Microcontroller unit

Acronym	Definition
MFS	Multi-function serial interface
MPU	Memory protection unit
NF	Noise filter
NMI	Non-maskable interrupt
OCU	Output compare unit
OSC	Oscillator
PCM	Pulse code modulation
PD	Power domain
PLL	Phase-locked loop
PONR	Power-on reset
PPC	Port pin configuration
PPU	Peripheral protection unit
PRGCRC	Programmable CRC
PWM	Pulse width modulation
PWU	Partial wake up
QPRC	Quadrature Position/ Revolution Counter
RAM	Random access memory
RLT	Reload timer
ROM	Read-only memory
RTC	Real-time clock
SDR	Single data rate
SG	Sound generator
SHE	Secure Hardware Extension
SMC	Stepper motor control
SPI	Serial peripheral interface
SRAM	Static RAM
SSCG	Spread spectrum clock generator
SWFG	Sound waveform generator
SW-WDT	Software watchdog timer
SYSC	System controller
TCFLASH	Flash connected to TCM
TCM	Tightly coupled memory
TCRAM	RAM connected to TCM
TPU	Timing protection unit
WDR	Watchdog description record
WDT	Watchdog timer
WorkFLASH	Work Flash memory

11. Errata

This section describes the errata for the S6J3360 and S6J3370 Series. Details include errata trigger conditions, scope of impact, available workarounds, and silicon revision applicability. Contact your local Cypress Sales Representative if you have questions.

Part Numbers Affected

Part Number ^{*1}
S6J33xxHxxxL2xxxx
S6J33xxHxxxC2xxxx
S6J33xxHxxxV2xxxx
S6J33xxHxxxE2xxxx
S6J33xxJxxxE2xxxx

*1: "x" is a part number option. For details, see section 1.2.1 Basic Option"

S6J3360 and S6J3370 Qualification Status

Product Status: Production

Errata Summary

The following table defines the errata applicability to available S6J3360 and S6J3370 Series devices.

Items	Part Number ^{*1}	Fix Status
1. MCAN wrong message transmission	S6J33xxHxxxL2xxxx S6J33xxHxxxC2xxxx S6J33xxHxxxV2xxxx S6J33xxHxxxE2xxxx S6J33xxJxxxE2xxxx	No silicon fix planned
2. CAN FD controller message order inversion when transmitting from dedicated Tx Buffers configured with same Message ID		
3. CAN FD incomplete description of Dedicated Tx Buffers and Tx Queue related to transmission from multiple buffers configured with the same Message ID		

*1: "x" is a part number option. For details, see section 1.2.1 Basic Option"

1. MCAN wrong message transmission

■ Problem Definition

There is a possibility a message with an ID (arbitration field) and a format and DLC (control field) is transmitted which was not configured by the application. The message itself is syntactically correct and can be received by other nodes.

The occurrence of the limitation requires a certain relationship in time between a transmission request for sending a message and the coincidence of noise in the 3rd bit of intermission field which is treated as the start of new message transmission (SoF).

■ Trigger Condition

Under the following conditions a message with wrong ID, format and DLC is transmitted:

- M_CAN is in state "Receiver" (PSR.ACT = "10"), no pending transmission.
- A new transmission is requested after sample point of 2nd bit of intermission but before the 3rd bit of Intermission is reached.
- The CAN bus is sampled dominant at the third bit of Intermission which is treated as SoF (see ISO11898-1:2015 section 10.4.2.2).

■ Scope of Impact

Under the conditions listed above it may happen, that:

- The shift register is not loaded with ID, format, and DLC of the requested message.

- The M_CAN will start arbitration with wrong ID, format, and DLC.
- In case the ID won arbitration, a CAN message with valid CRC is transmitted.
- In case this message is acknowledged, the ID stored in the Tx Event FIFO is the ID of the requested Tx message and not the ID of the message transmitted on the CAN bus
- Neither an error is detected by the transmitting node nor at the receiving node.

■ Workaround

Workaround 1:

This workaround avoids submitting a transmission request in the critical time window of about one bit time before the sample point of the 3rd bit of intermission field when on other pending transmission request exists:

- Requests a new transmission if another transmission is already pending or when the M_CAN / M_TTCAN is not in state "Receiver" (when PSR.ACT ≠ "10").
- If no pending transmission request exists, the application software needs to evaluate the Rx Interrupt flags IR.DRX, IR.RF0N, IR.RF1N which are set at the last bit of EoF when a received and accepted message gets valid.
- A new transmission may be requested by writing to TXBAR once the Rx interrupt occurred and the application waited another 3 bit times before submitting its Tx request. Note the Rx interrupt is generated at the last bit of EoF which is followed by three bits of Intermission.
- The application has to take care that the transmission request for the CAN Protocol Controller is activated before the critical window of the following reception is reached.

A supplemental action can be applied in order to detect messages which contain wrong ID and control field information:

- A checksum covering arbitration and control fields can be added to the data field of the message to be transmitted, to detect frames transmitted with wrong arbitration and control fields.

Workaround 2:

This workaround ensures that always at least one pending Tx request exists. If that is the case, the application may launch its Tx requests at any time without suffering from the limitation.

- Defines a low priority message with DLC = 0 that can be sent without harm. For example, loses arbitration against all other application messages, does not pass any acceptance filter of nodes in the same network. DLC = 0 shall reduce latency for other application messages.
- Configures sufficient Tx buffers – at least two - for this message type, therefore there is always another one waiting to be sent. E.g. an application that cannot react quickly enough with the time a single message of this type is sent, more than 2 Tx buffer may become necessary.
- The application uses the standard interfaces of the CAN / CAN FD stack to feed these messages.
- Whenever Tx confirmation is indicated for the second but last message of this type with pending Tx request, the application needs to submit at least one new Tx request. Note Tx confirmation is a standard feature in the AUTOSAR SW architecture.
- Before initially leaving INIT state of the M_CAN IP by clearing CCCR.INIT bit, make sure to activate a Tx request after having cleared CCCR.CCE. This will ensure that the conditions for the occurrence of the limitation when synchronizing to the CAN bus the first time after RESET are prevented.

■ Fix Status

No silicon fix planned.

2. CAN FD controller message order inversion when transmitting from dedicated Tx Buffers configured with same Message ID

■ Problem Definition

CAN FD controller message order inversion when multiple Tx Buffers that are configured with the same Message ID have pending Tx requests.

■ Configuration

Several Tx Buffers are configured with the same Message ID. Transmission of these Tx Buffers is requested sequentially with a delay between the individual Tx requests.

■ Expected behavior

When multiple Tx Buffers that are configured with the same Message ID have pending Tx requests, they shall be transmitted in ascending order of their Tx Buffer numbers. The Tx Buffer with lowest buffer number and pending Tx request is transmitted first.

■ Observed behavior

It may happen, depending on the delay between the individual Tx requests, that where multiple Tx Buffers are configured with the same Message ID the Tx Buffers are not transmitted in order of the Tx Buffer number (lowest number first).

■ Workaround

First, write the group of Tx messages with the same Message ID to the Message RAM and then request transmission of all these messages concurrently by a single write access to TXBAR. Before requesting a group of Tx messages with this Message ID, ensure that no message with this Message ID has a pending Tx request.

Applications not able to use the above workaround can implement a counter within the data section of their messages sent with same ID in order to allow the recipients to determine the correct sending sequence.

■ Fix Status

No silicon fix planned.

3. CAN FD incomplete description of Dedicated Tx Buffers and Tx Queue related to transmission from multiple buffers configured with the same Message ID**■ Problem Definition**

There was an incomplete description related to transmission from multiple buffers configured with the same Message ID in *Section 3.5.2 Dedicated Tx Buffers* and *Section 3.5.4 Tx Queue* of the Hardware Manual.

■ Detailed explanation

The following is the updated description in *Section 3.5.2 Dedicated Tx Buffers* and *Section 3.5.4 Tx Queue* of the Hardware Manual.

Section 3.5.2 Dedicated Tx Buffers:

- Original content in the Hardware Manual:

In case that multiple Tx Buffers are configured with the same Message ID, the Tx Buffer with the lowest buffer number is transmitted first.

- Enhancement:

These Tx buffers shall be requested in ascending order with the lowest buffer number first. Alternatively, all Tx buffers configured with the same Message ID can be requested simultaneously by a single write access to TXBAR.

Section 3.5.4 Tx Queue:

- Original content in the Hardware Manual:

In case that multiple Queue Buffers are configured with the same Message ID, the Queue Buffer with the lowest buffer number is transmitted first.

- Replacement:

In case that multiple Tx Queue buffers are configured with the same Message ID, the transmission order depends on numbers of the buffers where the messages were stored for transmission. As these buffer numbers depend on the then current states of the PUT index, a prediction of the transmission order is not possible.

- Original content in the Hardware Manual:

An Add Request cyclically increments the Put Index to the next free Tx Buffer.

- Replacement:

The Put Index always points to that free buffer of the Tx Queue with the lowest buffer number.

■ Workaround

In case a defined order of transmission is required, the Tx FIFO shall be used for transmission of messages with the same Message ID. Alternatively dedicated Tx buffers with same Message ID shall be requested in ascending order with the lowest buffer number first or by a single write access to TXBAR. Alternatively, a single Tx Buffer can be used to transmit those messages one after the other.

■ Fix Status

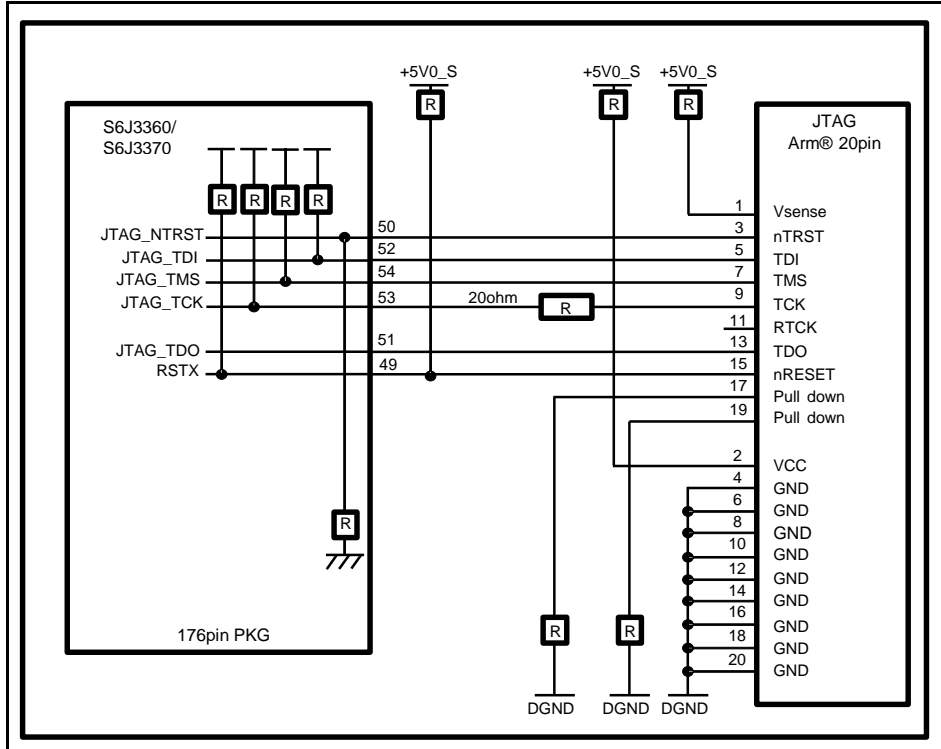
No silicon fix planned. Use workaround.

Hardware Manual will be updated accordingly.

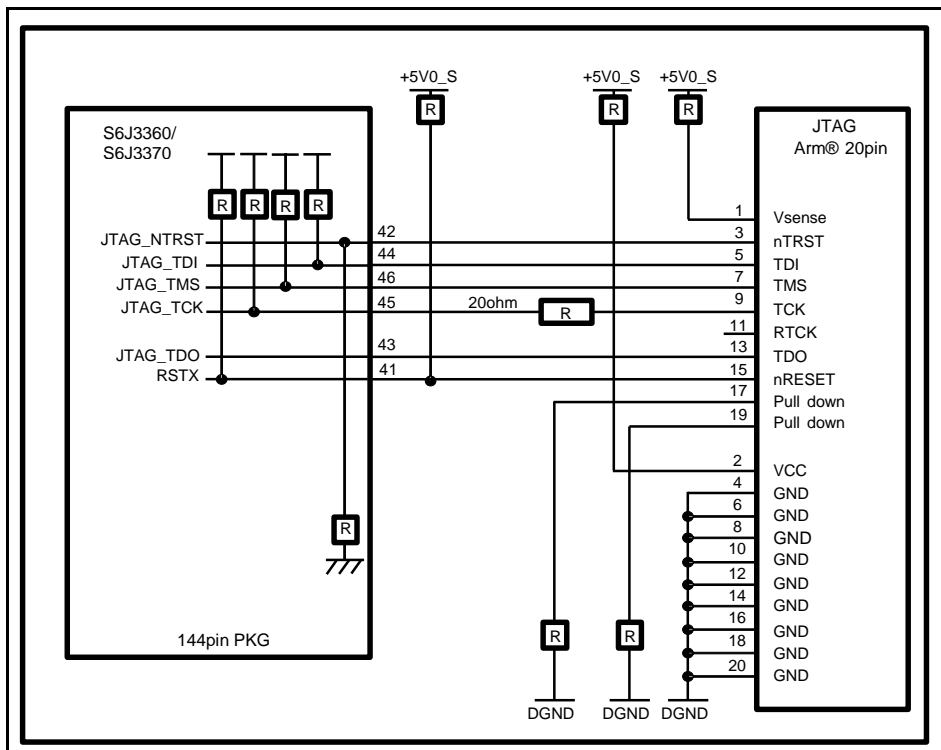
12. Appendix

12.1 Application 1: JTAG tool Connection

This is an application example of JTAG tool connection with 176-pin PKG.



This is an application example of JTAG tool connection with 144-pin PKG.



13. Major Changes

Page	Section	Change Results												
Rev *H														
136, 137	8. Ordering Information	Updated all Part Numbers and Packages												
145	11. Errata	Revised the shading parts as below: Error) <table border="1"> <thead> <tr> <th>Part Number*1</th> </tr> </thead> <tbody> <tr><td>S6J337xHxxxL2xxxx</td></tr> <tr><td>S6J33xxHxxxC2xxxx</td></tr> <tr><td>S6J337xHxxxV2xxxx</td></tr> <tr><td>S6J33xxHxxxE2xxxx</td></tr> <tr><td>S6J33xxJxxxE2xxxx</td></tr> </tbody> </table> Correct) <table border="1"> <thead> <tr> <th>Part Number*1</th> </tr> </thead> <tbody> <tr><td>S6J33xxHxxxL2xxxx</td></tr> <tr><td>S6J33xxHxxxC2xxxx</td></tr> <tr><td>S6J33xxHxxxV2xxxx</td></tr> <tr><td>S6J33xxHxxxE2xxxx</td></tr> <tr><td>S6J33xxJxxxE2xxxx</td></tr> </tbody> </table>	Part Number*1	S6J337xHxxxL2xxxx	S6J33xxHxxxC2xxxx	S6J337xHxxxV2xxxx	S6J33xxHxxxE2xxxx	S6J33xxJxxxE2xxxx	Part Number*1	S6J33xxHxxxL2xxxx	S6J33xxHxxxC2xxxx	S6J33xxHxxxV2xxxx	S6J33xxHxxxE2xxxx	S6J33xxJxxxE2xxxx
Part Number*1														
S6J337xHxxxL2xxxx														
S6J33xxHxxxC2xxxx														
S6J337xHxxxV2xxxx														
S6J33xxHxxxE2xxxx														
S6J33xxJxxxE2xxxx														
Part Number*1														
S6J33xxHxxxL2xxxx														
S6J33xxHxxxC2xxxx														
S6J33xxHxxxV2xxxx														
S6J33xxHxxxE2xxxx														
S6J33xxJxxxE2xxxx														
145, 146, 147	11. Errata	Added about CAN FD controller message order inversion when transmitting from dedicated Tx Buffers configured with same Message ID												
149	13. Major Changes	Added Major changes section.												
Rev *I														
145, 147	11. Errata	Added about CAN FD incomplete description of Dedicated Tx Buffers and Tx Queue related to transmission from multiple buffers configured with the same Message ID												
138 139	9. Package Dimensions	Updated package drawing spec from 002-13015 *A to *B Updated package drawing spec from 002-14045 ** to *A												
Rev *J														

136	8. Ordering Information	<p>Revised the shading parts as below:</p> <p>Error)</p> <table border="1" data-bbox="711 344 1458 562"> <thead> <tr> <th>Part Number</th> <th>Package</th> </tr> </thead> <tbody> <tr> <td>S6J336CHSBSV20000</td> <td>LQS144 (144-pin 0.4-mm pitch plastic LQFP)</td> </tr> <tr> <td>S6J336AHSBSL20000</td> <td>LQN144 144-pin 0.4-mm pitch plastic LQFP)</td> </tr> <tr> <td>S6J336CHSBSL20000</td> <td>LQN144 144-pin 0.4-mm pitch plastic LQFP)</td> </tr> <tr> <td>:</td> <td>:</td> </tr> </tbody> </table> <p>Correct)</p> <table border="1" data-bbox="711 617 1458 835"> <thead> <tr> <th>Part Number</th> <th>Package</th> </tr> </thead> <tbody> <tr> <td>S6J336CHSBSV20000</td> <td>LQS144 (144-pin 0.5-mm pitch plastic LQFP)</td> </tr> <tr> <td>S6J336AHSBSL20000</td> <td>LQN144 (144-pin 0.4-mm pitch plastic LQFP)</td> </tr> <tr> <td>S6J336CHSBSL20000</td> <td>LQN144 (144-pin 0.4-mm pitch plastic LQFP)</td> </tr> <tr> <td>:</td> <td>:</td> </tr> </tbody> </table>	Part Number	Package	S6J336CHSBSV20000	LQS144 (144-pin 0.4-mm pitch plastic LQFP)	S6J336AHSBSL20000	LQN144 144-pin 0.4-mm pitch plastic LQFP)	S6J336CHSBSL20000	LQN144 144-pin 0.4-mm pitch plastic LQFP)	:	:	Part Number	Package	S6J336CHSBSV20000	LQS144 (144-pin 0.5-mm pitch plastic LQFP)	S6J336AHSBSL20000	LQN144 (144-pin 0.4-mm pitch plastic LQFP)	S6J336CHSBSL20000	LQN144 (144-pin 0.4-mm pitch plastic LQFP)	:	:
Part Number	Package																					
S6J336CHSBSV20000	LQS144 (144-pin 0.4-mm pitch plastic LQFP)																					
S6J336AHSBSL20000	LQN144 144-pin 0.4-mm pitch plastic LQFP)																					
S6J336CHSBSL20000	LQN144 144-pin 0.4-mm pitch plastic LQFP)																					
:	:																					
Part Number	Package																					
S6J336CHSBSV20000	LQS144 (144-pin 0.5-mm pitch plastic LQFP)																					
S6J336AHSBSL20000	LQN144 (144-pin 0.4-mm pitch plastic LQFP)																					
S6J336CHSBSL20000	LQN144 (144-pin 0.4-mm pitch plastic LQFP)																					
:	:																					
Rev *K																						
6	1.2.1 Basic Option	<p>Added the shading parts as below:</p> <p>Packing</p> <table border="1" data-bbox="711 999 1097 1087"> <thead> <tr> <th>Digit</th> <th>Packing type</th> </tr> </thead> <tbody> <tr> <td>0</td> <td>Tray</td> </tr> <tr> <td>D</td> <td>Tape and Reel</td> </tr> </tbody> </table>	Digit	Packing type	0	Tray	D	Tape and Reel														
Digit	Packing type																					
0	Tray																					
D	Tape and Reel																					
136	8. Ordering Information	<p>Added the shading parts as below:</p> <table border="1" data-bbox="711 1192 1458 1440"> <thead> <tr> <th>Part Number</th> <th>Package</th> </tr> </thead> <tbody> <tr> <td>:</td> <td>:</td> </tr> <tr> <td>S6J336CHTBSE20000</td> <td>LEJ144 (144-pin 0.5-mm pitch plastic TEQFP)</td> </tr> <tr> <td>S6J336CHTBSE2D000</td> <td>LEJ144 (144-pin 0.5-mm pitch plastic TEQFP)</td> </tr> <tr> <td>S6J337AHTBSE20000</td> <td>LEJ144 (144-pin 0.5-mm pitch plastic TEQFP)</td> </tr> <tr> <td>:</td> <td>:</td> </tr> </tbody> </table>	Part Number	Package	:	:	S6J336CHTBSE20000	LEJ144 (144-pin 0.5-mm pitch plastic TEQFP)	S6J336CHTBSE2D000	LEJ144 (144-pin 0.5-mm pitch plastic TEQFP)	S6J337AHTBSE20000	LEJ144 (144-pin 0.5-mm pitch plastic TEQFP)	:	:								
Part Number	Package																					
:	:																					
S6J336CHTBSE20000	LEJ144 (144-pin 0.5-mm pitch plastic TEQFP)																					
S6J336CHTBSE2D000	LEJ144 (144-pin 0.5-mm pitch plastic TEQFP)																					
S6J337AHTBSE20000	LEJ144 (144-pin 0.5-mm pitch plastic TEQFP)																					
:	:																					

NOTE: Please see “Document History” about later revised information.

Document History

Document Title: S6J3360 Series, S6J3370 Series 32-bit Arm® Cortex®-R5F TRAVEO™ T1G Microcontroller
Document Number: 002-03359

Revision	ECN	Submission Date	Description of Change
**	5017504	01/19/2016	New Spec.
*A	5247224	04/28/2016	Removed HyperBUS from Function List and Pin Descriptions, Removed Spanion. Added 2.Precautions and Handling Devices and 3. Handling Devices
*B	5461846	10/05/2016	208-pin was reduced for feasibility study and customer demand. Updated 1.2.1 Basic Option MFS1_CS0_1 144 pin: Added 8 pin MFS1_CS1_0 120 pin: Deleted 8 pin MFS3_CS0_1 100 pin: Added 91 pin MFS3_CS1_1 100 pin: Added 92 pin MFS3_CS2_1 100 pin: Added 93 pin MFS3_CS3_1 100 pin: Added 94 pin MFS9_CS1_0 100 pin: Added 64 pin MFS10_SIN_0 176 pin: Added 119 pin MFS11_CS0_0 176 pin: Added 121 pin MFS11_CS0_1 176 pin: Deleted 121 pin MFS11_CS0_1 144 pin: Deleted 100 pin MFS11_CS1_0 144 pin: Added 100 pin MFS6_SCL 176 pin: Added 77 pin ICU0_IN0_0 120 pin: Added 44 pin OCU1_OUT1_0 120 pin: Added 54 pin OCU10_OUT0_0 100 pin: Deleted 54 pin OCU10_OUT1_0 100 pin: Added 54 pin BT0_TIOB0_0 100 pin: Added 54 pin BT1_TIOA2_0 120 pin: Added 46 pin BT1_TIOA2_1 100 pin: Deleted 54 pin BT1_TIOA3_0 100 pin: Deleted 46 pin BT1_TIOA3_0 120 pin: Added 47 pin BT9_TIOB18_0 100 pin: Deleted 63 pin BT9_TIOB18_0 100 pin: Added 71 pin BT10_TIOA20_0 100 pin: Deleted 64 pin BT10_TIOA20_0 100 pin: Added 67 pin P1_12 100 pin: Deleted 112 pin P1_12 100 pin: Added 58 pin P2_30 208 pin: Deleted 202 pin P2_30 208 pin: Added 207 pin P2_31 208 pin: Deleted 203 pin I2S1_SD_0 Corrected I2S Communication Port 1 SD_0 I2S1_WS_0

Revision	ECN	Submission Date	Description of Change
			<p>Corrected I2S Communication Port 1 WS_0 I2S1_SCK_0 Corrected I2S Communication Port 1 SCK_0</p> <p>MAD16 Corrected Extension BUS Interface address 16 MAD17 Corrected Extension BUS Interface address 17 MAD18 Corrected Extension BUS Interface address 18 MAD19 Corrected Extension BUS Interface address 19 MAD20 Corrected Extension BUS Interface address 20 MAD21 Corrected Extension BUS Interface address 21</p> <p>MWEX Corrected Extension BUS Interface Write to WE CS# Corrected LCD BUS interface data 0 to CS# WR# Corrected LCD BUS interface data 0 to WR# RD# Corrected LCD BUS interface data 0 to RD# RS Corrected LCD BUS interface data 0 to RS RES# wrong LCD BUS interface data 0, corrected LCD BUS interface RES# TE Corrected LCD BUS interface data 0 to TE</p> <p>C 100pin: Deleted 41 pin C 100pin: Added 36 pin</p> <p>Updated VCC 100 pin Updated VCC 208 pin Updated VSS 100 pin Updated VSS 120 pin Updated VSS 176 pin Updated VSS 208 pin</p> <p>Updated Block Diagram Updated pin name in 7.4.6 Multi Function serial, 7.4.7 Timer Input, 7.4.8 QPRC timing, and 7.4.9 Trigger Input Added 7.4.13 High Current Output Slew Rate and 7.4.14 Clock output timing, 7.4.15/7.4.16/7.4.17 External bus I/F timing and 7.4.18 DDR-HSSPI Updated Ordering information Updated Package Dimensions Updated Acronyms</p>

Revision	ECN	Submission Date	Description of Change
*C	5626913	02/14/2017	Updated following contents. -1.Features -4.Pin Assignment -5.Pin descriptions -6.Block Diagram -7.Electrical characteristics -8.Ordering Information -9.Package Dimensions Added 11.Appendix
*D	5731385	05/09/2017	Update PKG information -9.Package Dimensions
*E	5919824	10/17/2017	Updated following contents. -1.Features -3.Handling Devices -7.Electrical characteristics
*F	6006783	12/27/2017	Updated following contents. -1.Features -4.Pin Assignment -5.Pin descriptions -7.Electrical characteristics -8.Ordering Information -9.Package Dimensions
*G	6286821	08/21/2018	Updated following contents. - Updated package line up - Added the feedback resistor value of oscillation I/O - Added the recommendation mounting condition - Added the value of IO hysteresis voltage - Updated the value of Power Supply Current - Updated the value of DDR-HSSPI - Added the contents of Errata
*H	7101781	04/05/2021	Updated 8. Ordering Information Updated 11. Errata Added 13. Major Changes For details, see 13. Major Changes
*I	7398097	10/25/2021	Updated 11. Errata Updated package drawing spec from 002-13015 *A to *B Updated package drawing spec from 002-14045 ** to *A For details, see 13. Major Changes
*J	7436521	11/10/2021	Updated 8. Ordering Information
*K	7761661	05/13/2022	Updated 1.2.1 Basic Option Updated 8. Ordering Information