



SUPPLEMENT

S71KS512SC0
S71KL256SC0
S71KL512SC0

HyperFlash™ and HyperRAM™ Multi-Chip Package 1.8V/3V

Distinctive Characteristics

- HyperFlash™ and HyperRAM™ in Multi-Chip Package (MCP)
 - 1.8V, 512 Mb HyperFlash and 64 Mbit HyperRAM (S71KS512SC0)
 - 3.0V, 512 Mb HyperFlash and 64 Mbit HyperRAM (S71KL512SC0)
 - 3.0V, 256 Mb HyperFlash and 64 Mbit HyperRAM (S71KL256SC0)
 - FBGA 24-ball, 6 × 8 × 1.0 mm package
- HyperBus Interface
 - 1.8V I/O, 12 bus signals
 - Differential clock (CK/CK#)
 - 3.0V I/O, 11 bus signals
 - Single ended clock (CK)
 - Chip Select (CS#)
 - 8-bit data bus (DQ[7:0])
 - Read-Write Data Strobe (RWDS)
 - Bidirectional Data Strobe/Mask
 - Output at the start of all transactions to indicate refresh latency
 - Output during read transactions as Read Data Strobe
 - Input during write transactions as Write Data Mask (HyperRAM only)
- Optional Signals
 - Reset
 - INT# output to generate external interrupt
 - Busy to Ready Transition
 - RSTO# Output to generate system level Power-On Reset (POR)
 - User configurable RSTO# Low period
- High Performance
 - Double-Data Rate (DDR)
 - Two data transfers per clock
 - Up to 166-MHz clock rate (333 MB/s) at 1.8V V_{CC}
 - Up to 100-MHz clock rate (200 MB/s) at 3.0V V_{CC}

Contents

General Description	3	Ordering Part Numbers	11
HyperBus MCP Family with HyperFlash and HyperRAM	3	Valid Combinations - Standard	11
HyperBus MCP 3 V Signal Descriptions	4	Valid Combinations — Automotive Grade / AEC-Q100	12
HyperBus MCP Block Diagram	5	Document History Page	13
Physical Interface	6	Sales, Solutions, and Legal Information	14
HyperBus MCP — FBGA 24-Ball, 5x5 Array Footprint	6	Worldwide Sales and Design Support	14
Physical Diagram	7	Products	14
Electrical Specifications	8	PSoC® Solutions	14
Absolute Maximum Ratings	8	Cypress Developer Community	14
DC Characteristics	8	Technical Support	14

General Description

This supplementary datasheet provides MCP device related information for a HyperBus MCP family, incorporating both HyperFlash and HyperRAM memories. The document describes how the features, operation, and ordering options of the related memories have been enhanced or changed from the standard memory devices incorporated in the MCP. The information contained in this document modifies any information on the same topics established by the documents listed in [Table 1](#) and should be used in conjunction with those documents. This document may also contain information that was not previously covered by the listed documents. The information is intended for hardware system designers and software developers of applications, operating systems, or tools.

Table 1. Affected Documents/Related Documents

Title	Cypress Publication Number
HyperBus™ Specification Low Signal Count, High Performance DDR Bus	001-99253
S26KL512S / S26KS512S / S26KL256S / S26KS256S / S26KL128S / S26KS128S, 512 MBIT (64 MBYTE), 256 Mbit (32 Mbyte), 128 Mbit (16 Mbyte) 1.8V/3.0V HyperFlash™ Family	001-99198
S27KL0641, S27KS0641, S71KL1281, S71KS1281: HyperRAM™ Self-Refresh DRAM 3.0V/1.8V 64/128 Mbit (8/16 Mbyte)	001-97964

HyperBus MCP Family with HyperFlash and HyperRAM

For systems needing both Flash and self-refresh DRAM, the HyperBus products family includes MCP devices that combine HyperFlash and HyperRAM in a single package. A HyperBus MCP reduces board space and Printed Circuit Board (PCB) signal routing congestion while also maintaining or improving signal integrity over separately packaged memory configurations.

The HyperBus MCP family offers 1.8V/3V interface HyperFlash densities of 512 Mb (64 Mbyte) and 256 Mb (32 Mbyte) in combination with HyperRAM 64 Mb (8 Mbyte).

This supplemental datasheet addresses only the MCP related differences from the HyperBus Specification and the individual HyperFlash and HyperRAM datasheets. For all other information related to the individual memories in the MCP, refer to the HyperBus, HyperFlash, and HyperRAM datasheets.

HyperBus MCP 3 V Signal Descriptions

Figure 1. HyperBus MCP Signal Diagram

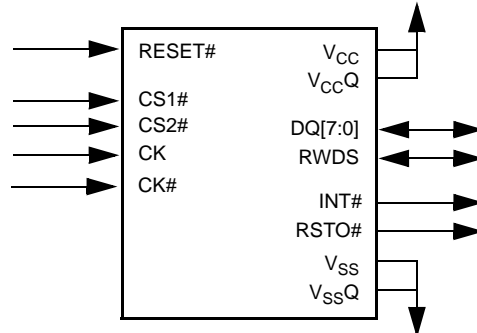
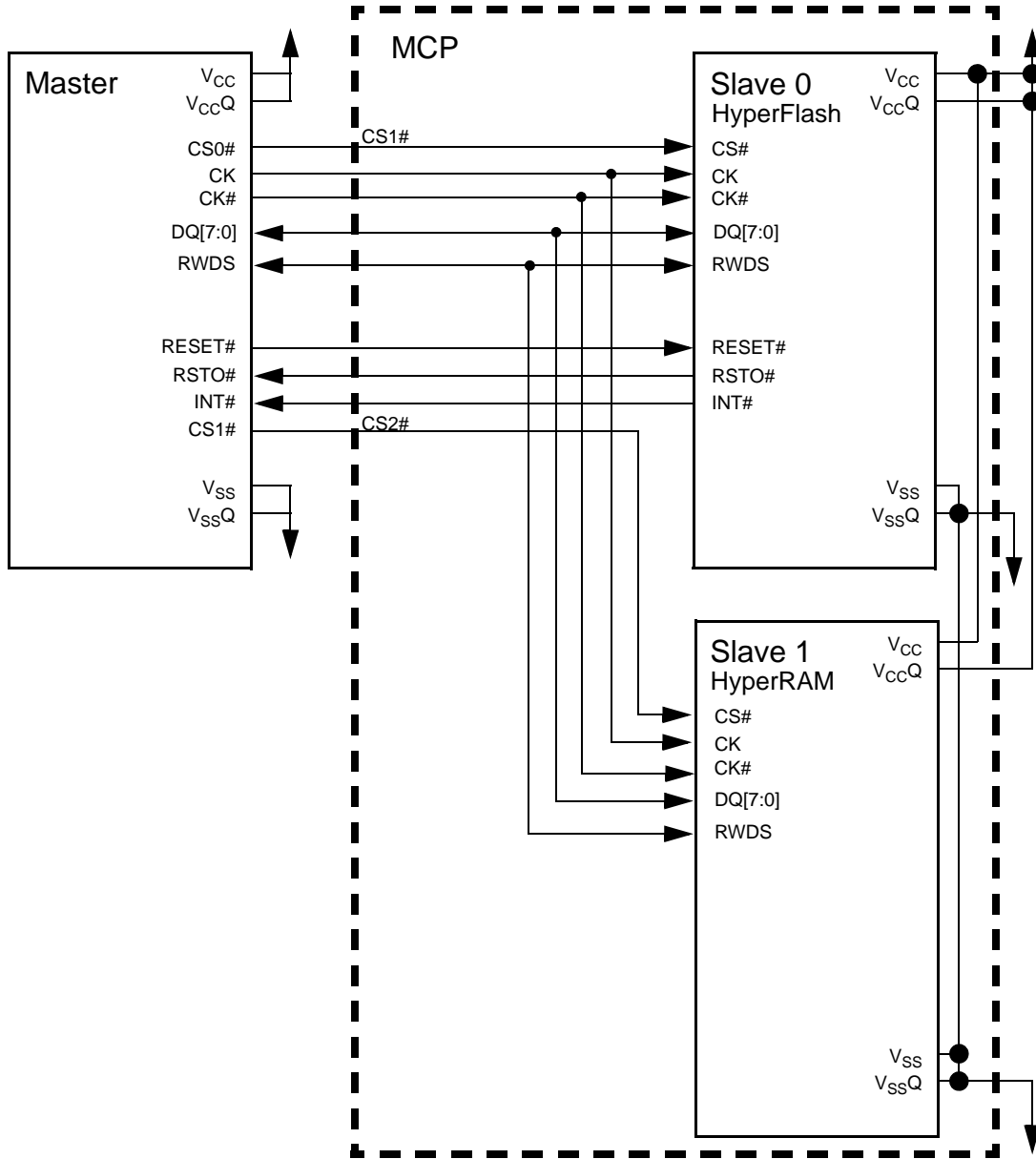


Table 2. Signal Descriptions

Symbol	Type	Description
CS1#	Input	Chip Select 1: Chip Select for the HyperFlash memory. HyperBus transactions are initiated with a High to Low transition. HyperBus transactions are terminated with a Low to High transition.
CS2#	Input	Chip Select 2: Chip Select for the HyperRAM memory. HyperBus transactions are initiated with a High to Low transition. HyperBus transactions are terminated with a Low to High transition.
CK	Input	Single-ended Clock 3.0V: Command-Address/Data information is input or output with respect to the edges of the CK. Note: Single-ended clock is available on 3.0V devices only.
CK/CK#	Input	Differential Clock 1.8V: Command-Address/Data information is input or output with respect to the crossing edges of the CK/CK# pair. Note: Differential clock is available on 1.8V devices only.
RWDS	Output	Read-Write Data Strobe: Output data during read transactions are edge aligned with RWDS. RWDS is an input during write transactions to function as a HyperRAM data mask. At the beginning of all bus transactions RWDS is an output and indicates whether additional initial latency count is required. 1 = Additional latency count 0 = No additional latency count
DQ[7:0]	Input/Output	Data Input/Output: Command-Address/Data information is transferred on these DQs during Read and Write transactions.
INT#	Output (open drain)	INT Output (Optional): When Low, the HyperFlash device is indicating that an internal event has occurred. This signal is intended to be used as a system level interrupt for the device to indicate that an on-chip event has occurred. INT# is an open-drain output.
RESET#	Input	Hardware RESET (Optional): When Low, the HyperFlash memory will self initialize and return to the idle state. RWDS and DQ[7:0] is placed into the High-Z state when RESET# is Low. RESET# includes a weak pull-up, if RESET# is left unconnected it will be pulled up to the High state. RESET# is not connected to the HyperRAM.
RSTO#	Output (open drain)	RSTO# Output (Optional): RSTO# is an open-drain output used to indicate when a POR is occurring within the HyperFlash memory and can be used as a system level reset signal. Upon completion of the internal POR the RSTO# signal will transition from Low to high impedance after a user defined timeout period has elapsed. Upon transition to the high impedance state the external pull-up resistance will pull RSTO# High and the device immediately is placed into the Idle state.
V _{CC}	Power Supply	Core Power
V _{CCQ}	Power Supply	Input/Output Power
V _{SS}	Power Supply	Core Ground
V _{SSQ}	Power Supply	Input/Output Ground

HyperBus MCP Block Diagram

Figure 2. HyperBus Connections Including Optional Signals

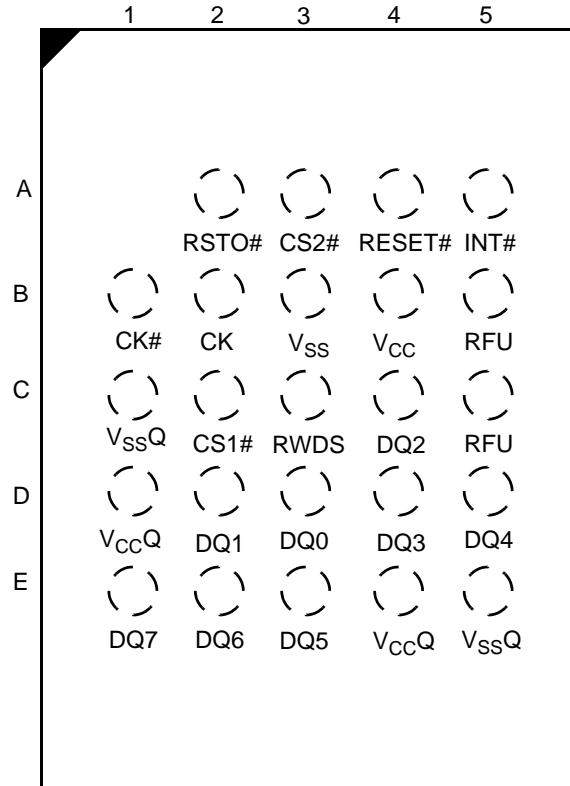


Note
 1. CK# is for 1.8V devices only.

Physical Interface

HyperBus MCP — FBGA 24-Ball, 5x5 Array Footprint

Figure 3. 24-Ball FBGA, 6 x 8 mm, 5 x 5 Ball Footprint (Top View)

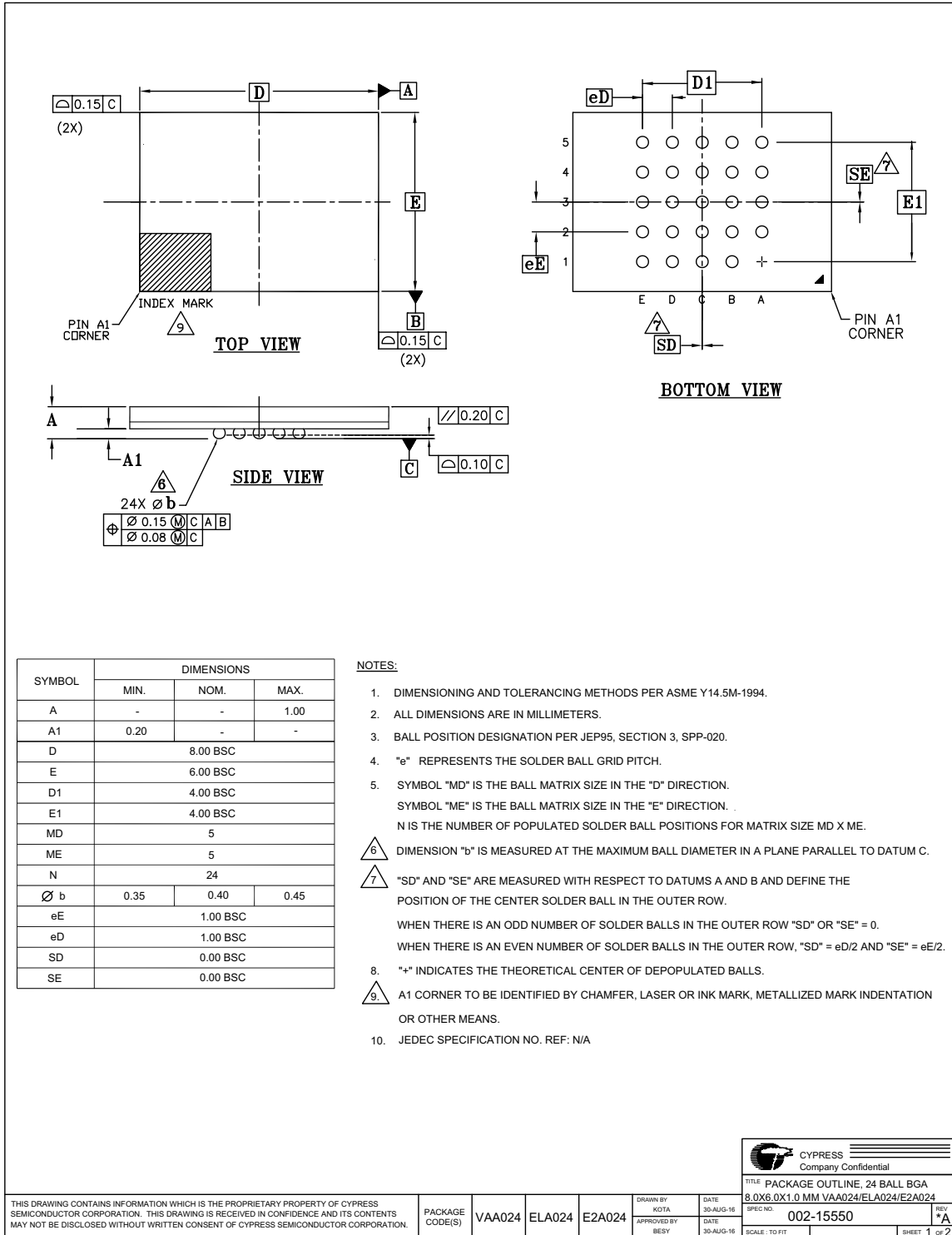


Notes

- 2. C2 and A3 are chip select (CS#) signals 1 and 2 used for HyperFlash and HyperRAM devices respectively.
- 3. V_{SS} and V_{SSQ} are internally connected.
- 4. CK# (B1) is RFU in 3.0V devices

Physical Diagram

Figure 4. ELA024 — FBGA 24-Ball 6 x 8 x 1 mm



Electrical Specifications

For the general description of the HyperBus interface electrical specifications, refer to the [HyperBus Specification](#). The following section describes HyperFlash device dependent aspects of electrical specifications.

Absolute Maximum Ratings

Ambient Temperature with Power Applied: $-65\text{ }^{\circ}\text{C}$ to $+105\text{ }^{\circ}\text{C}$

DC Characteristics

Only one memory may have its chip select active (Low) at any point in time. For each of the conditions below refer to the HyperFlash and HyperRAM datasheets for the most accurate information:

- Active core read or write current will be that of the selected device plus the standby current of the non-selected device. But, the added standby current is generally not significant as it is less than $300\text{ }\mu\text{A}$.
- Active IO read current will be that of the selected device.
- Active clock stop current will be that of the selected device plus the standby current of the non-selected device. But, the added standby current is generally not significant as it is less than $300\text{ }\mu\text{A}$.

- Program or erase current will be that of the HyperFlash device. Note however, that program and erase operations are long time frame events that extend beyond the duration of a HyperFlash chip select period. Thus, if the HyperRAM is selected for read or write during an on going HyperFlash program or erase operation, the active current will be the sum of the HyperFlash program or erase operation and the HyperRAM read or write current.
- Standby current, when neither memory is selected and no embedded flash operation is in progress, is the sum of the memory standby currents.
- Deep Power Down (DPD) current, is the sum of the memory DPD currents.
- Power On Reset (POR) current is the sum of the memory standby currents.
- Input leakage current is the sum of the memory input leakage currents.

For reference purpose, [Table 3](#) aids in the estimation of the above operating conditions current consumption. However, refer to the HyperFlash and HyperRAM datasheets for the most accurate information.

Table 3. 3.0V DC Characteristics (CMOS Compatible)

Parameter	Description	Test Conditions	Min	Typ ^[6]	Max	Unit
I _{LI}	Input Leakage Current	V _{IN} = V _{SS} to V _{CC} , V _{CC} = V _{CC} max	–	–	±4.0	μA
I _{LO}	Output Leakage Current	V _{OUT} = V _{SS} to V _{CC} , V _{CC} = V _{CC} max	–	–	±2.0	μA
I _{CC1HF}	V _{CC} Active Read Current - HyperFlash reading (core current only, IO switching current is not included)	CS# = V _{IL} , @100 MHz, V _{CC} = 3.6V	–	80.2	100.3	mA
		CS# = V _{IL} , @166 MHz, V _{CC} = 1.95V	–	130.2	180.3	mA
I _{IO1HF}	V _{CCQ} Active Read Current of IOs - HyperFlash reading	CS# = V _{IL} , @100 MHz, V _{CCQ} = 3.6V, C _{LOAD} = 20 pF	–	80	100	mA
		CS# = V _{IL} , @166 MHz, V _{CCQ} = 1.95V, C _{LOAD} = 20 pF	–	80	100	mA
I _{CC1HR}	V _{CC} Active Read Current - HyperRAM reading	CS# = V _{IL} , @100 MHz, V _{CC} = 3.6V	–	20.1	35.3	mA
		CS# = V _{IL} , @166 MHz, V _{CC} = 1.95V	–	20.1	60.3	mA
I _{CC2HR}	V _{CC} Active Write Current - HyperRAM writing	CS# = V _{IL} , @100 MHz, V _{CC} = 3.6V	–	15.1	35.3	mA
		CS# = V _{IL} , @166 MHz, V _{CC} = 1.95V	–	15.1	60.3	mA
I _{CC1HFHR}	V _{CC} Active Read Current - HyperFlash embedded operation plus HyperRAM reading ^[6]	CS# = V _{IL} , @100 MHz, V _{CC} = 3.6V	–	80	135	mA
		CS# = V _{IL} , @166 MHz, V _{CC} = 1.95V	–	80	160	mA
I _{CC2HFHR}	V _{CC} Active Write Current - HyperFlash embedded operation plus HyperRAM writing ^[6]	CS# = V _{IL} , @100 MHz, V _{CC} = 3.6V	–	75	135	mA
		CS# = V _{IL} , @166 MHz, V _{CC} = 1.95V	–	75	160	mA
I _{CC3P}	V _{CC} Active Program Current ^[5, 6]	V _{CC} = V _{CC} max	–	60	100	mA
I _{CC3E}	V _{CC} Active Erase Current ^[5, 6]	V _{CC} = V _{CC} max	–	60	100	mA
I _{CC4I}	V _{CC} Standby Current for Industrial Temperature (–40 °C to +85 °C)	CS#, RESET# = V _{CC} , V _{CC} = V _{CC} max	–	160	300	μA
I _{CC4IC}	V _{CC} Standby Current for Industrial Plus Temperature (–40 °C to +105 °C)	CS#, RESET# = V _{CC} , V _{CC} = V _{CC} max	–	160	600	μA
I _{CC5}	V _{CC} Reset Current	CS# = V _{IH} , RESET# = V _{SS} , V _{CC} = V _{CC} max (1.8V/3.0V)	–	10	20	mA
I _{CC6}	Active Clock Stop Mode ^[7]	V _{IH} = V _{CC} , V _{IL} = V _{SS} , V _{CC} = 1.95V/3.6V	–	11.3	24	mA
I _{CC7}	V _{CC} Current during Power-Up (POR)	CS# = X, V _{CC} = V _{CC} max (1.95V/3.6V)	–	100	135	mA

Notes

5. I_{CC} active while Embedded Algorithm is in progress.
6. Not 100% tested.
7. Active Clock Stop Mode enables the lower power mode when the CK signals remain stable for t_{ACC} + 30 ns
8. Typical I_{CC} values are measured at t_{AI} = 25 °C and V_{CC} = V_{CCQ} = 1.8V/3.0V (not applicable to I_{DPD} for 85 °C and 105 °C).

Table 3. 3.0V DC Characteristics (CMOS Compatible) (Continued)

Parameter	Description	Test Conditions	Min	Typ ^[6]	Max	Unit	
I _{DPD}	Deep Power-Down Current 512/64 Mb @ 25°C	CS#, RESET#, V _{CC} = V _{CC} max (1.95V/3.6V)	–	34.1	112	µA	
	Deep Power-Down Current 512/64 Mb @ 85°C		–	36.6	120	µA	
	Deep Power-Down Current 512/64 Mb @ 105°C		–	37.4	340	µA	
	Deep Power-Down Current (all other densities) @ 25°C	HyperFlash in Standby	–	34.1	112	µA	
	Deep Power-Down Current (all other densities) @ 85°C		–	37.4	140	µA	
	Deep Power-Down Current (all other densities) @ 105°C		–	37.4	340	µA	
	Deep Power-Down Current 512/64 Mb @ 25°C	CS#, RESET#, V _{CC} = V _{CC} max (1.95V/3.6V)		143	218	µA	
	Deep Power-Down Current 512/64 Mb @ 85°C			165	250	µA	
	Deep Power-Down Current 512/64 Mb @ 105°C			230	350	µA	
	Deep Power-Down Current (all other densities) @ 25°C		HyperFlash in Deep Power Down		138	206	µA
	Deep Power-Down Current (all other densities) @ 85°C		HyperRAM in Standby		139	210	µA
	Deep Power-Down Current (all other densities) @ 105°C				140	215	µA

Notes

5. I_{CC} active while Embedded Algorithm is in progress.
6. Not 100% tested.
7. Active Clock Stop Mode enables the lower power mode when the CK signals remain stable for t_{ACC} + 30 ns
8. Typical I_{CC} values are measured at t_{AI} = 25 °C and V_{CC} = V_{CCQ} = 1.8V/3.0V (not applicable to I_{DPD} for 85 °C and 105 °C).

Table 4. 1.8V/3.0V Capacitive Characteristics

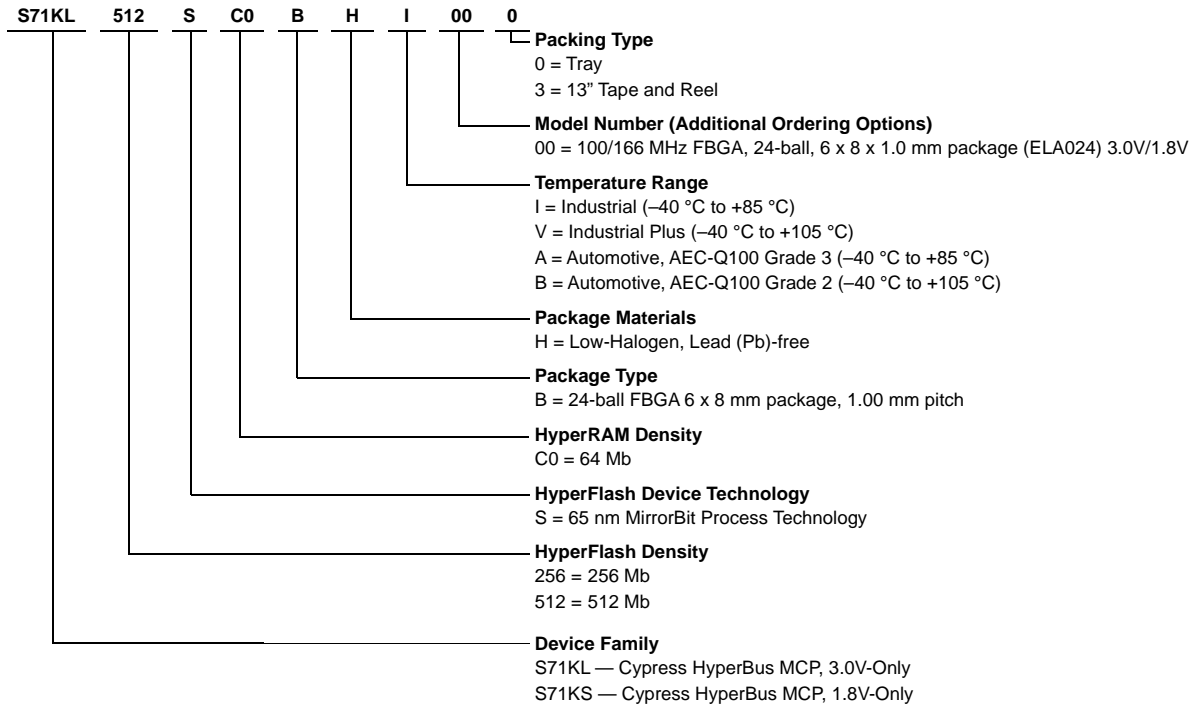
Description	Parameter	Min	Max	Unit
Input Capacitance (CK, CK#) ^[7,8,9]	CI	6.0	10.0	pF
Output Capacitance (RWDS) ^[7,8,9]	S71KL/S512SC0	8.0	10.0	pF
	S71KL/S256SC0		10.5	
I/O Pin Capacitance (DQx) ^[7,8,9]	S71KL/S512SC0	8.0	10.0	pF
	S71KL/S256SC0		10.5	
I/O Pin Capacitance Delta (DQx) ^[7,8,9]	CIOD	—	1.0	pF
INT#, RSTO# Pin Capacitance, RST# ^[7,8,9]	COP	—	8.0	pF

Notes

9. These values are guaranteed by design and are tested on a sample basis only.
10. Pin capacitance is measured according to JEP147 procedure for measuring capacitance using a vector network analyzer. V_{CC}, V_{CCQ} are applied and all other pins (except the pin under test) floating. DQs should be in the High Impedance state.
11. The capacitance values for the CK, CK#, RWDS and DQx pins must have similar capacitance values to allow for signal propagation time matching in the system. The capacitance value for CS# is not as critical because there are no critical timings between CS# going active (Low) and data being presented on the DQs bus.

Ordering Part Numbers

The ordering part number is formed by a valid combination of the following:



Valid Combinations - Standard

Table 5 lists configurations planned to be available in volume. The table will be updated as new combinations are released. Contact your local sales representative to confirm availability of specific combinations and to check on newly released combinations.

Table 5. Valid Standard Combinations

Device Number	HyperRAM Density	Package and Material	Temperature Range	Model Number	Packing Type	Ordering Part Number (x = Packing Type)	Package Marking
S71KL256S	C0	BH	I, V	00	0, 3	S71KL256SC0BHI00x	1KL256SC0HI00
						S71KL256SC0BHV00x	1KL256SC0HV00
S71KL512S	C0	BH	I, V	00	0, 3	S71KL512SC0BHI00x	1KL512SC0HI00
						S71KL512SC0BHV00x	1K5L12SC0HV00
S71KS512S	C0	BH	I, V	00	0, 3	S71KS512SC0BHI00x	1KS512SC0HI00
						S71KS512SC0BHV00x	1KS512SC0HV00

Note

12. FBGA package marking omits the leading S7, the package type character and packing type character from the ordering part number from the ordering part number.

Valid Combinations — Automotive Grade / AEC-Q100

Table 6 lists configurations that are Automotive Grade / AEC-Q100 qualified and are planned to be available in volume. The table will be updated as new combinations are released. Consult your local sales representative to confirm availability of specific combinations and to check on newly released combinations.

Production Part Approval Process (PPAP) support is only provided for AEC-Q100 grade products.

Products to be used in end-use applications that require ISO/TS-16949 compliance must be AEC-Q100 grade products in combination with PPAP. Non-AEC-Q100 grade products are not manufactured or documented in full compliance with ISO/TS-16949 requirements.

AEC-Q100 grade products are also offered without PPAP support for end-use applications that do not require ISO/TS-16949 compliance.

Table 6. Valid Combinations — Automotive Grade / AEC-Q100

Device Number	HyperRAM Density	Package and Material	Temperature Range	Model Number	Packing Type	Ordering Part Number (x = Packing Type)	Package Marking
S71KL256S	C0	BH	A, B	00	0, 3	S71KL256SC0BHA00x	1KL256SC0HA00
						S71KL256SC0BHB00x	1KL256SC0HB00
S71KL512S	C0	BH	A, B	00	0, 3	S71KL512SC0BHA00x	1KL512SC0HA00
						S71KL512SC0BHB00x	1KL512SC0HB00
S71KS512S	C0	BH	A, B	00	0, 3	S71KS512SC0BHA00x	1KS512SC0HA00
						S71KS512SC0BHB00x	1KS512SC0HB00

Note

FBGA package marking omits the leading S7, the package type character and packing type character from the ordering part number from the ordering part number.

Document History Page

Document Title: S71KS512SC0, S71KL256SC0, S71KL512SC0, HyperFlash™ and HyperRAM™ Multi-Chip Package 1.8V/3V Document Number: 002-03902				
Rev.	ECN No.	Orig. of Change	Submission Date	Description of Change
**	5023814	MAMC	11/23/2015	Initial release.
*A	5188954	RYSU	07/07/2016	Updated HyperBus MCP 3 V Signal Descriptions : Updated Table 2 : Updated details in "Description" column corresponding to RESET# pin. Updated HyperBus MCP Block Diagram . Updated Physical Interface : Updated HyperBus MCP — FBGA 24-Ball, 5x5 Array Footprint : Added Note 2. Updated Physical Diagram : Added Figure 4 . Updated Electrical Specifications : Updated DC Characteristics : Updated Table 3 : Changed typical value of I _{CC5} parameter from 20 mA to 10 mA. Changed maximum value of I _{CC5} parameter from 40 mA to 20 mA. Updated Table 4 : Updated values of all parameters. Updated to new template.
*B	5442136	RYSU	09/27/2016	Updated Document Title to read as "S71KL512SC0, HyperFlash™ and HyperRAM™ Multi-Chip Package 3V". Removed part number "S71KL256SC0" related information in all instances across the document. Removed 256 Mb density related information in all instances across the document. Updated Ordering Part Numbers : Added Automotive, AEC-Q100 Grade 3 and Automotive, AEC-Q100 Grade 2 Temperature Range details. Removed 128 Mb, 256 Mb details. Updated Valid Combinations - Standard : Removed S71KL256S and its corresponding details. Added Valid Combinations — Automotive Grade / AEC-Q100 . Updated to new template.
*C	5560279	RYSU	12/20/2016	Updated Document Title to read as "S71KL256SC0/S71KL512SC0, HyperFlash™ and HyperRAM™ Multi-Chip Package 3 V". Added part number "S71KL256SC0" related information in all instances across the document. Added 256 Mb density related information in all instances across the document. Updated Electrical Specifications : Updated DC Characteristics : Updated Table 4 : Added values corresponding to S71KL256SC0. Updated Ordering Part Numbers : Added 256 Mb details. Updated Valid Combinations - Standard : Added S71KL256S and its corresponding details. Updated Valid Combinations — Automotive Grade / AEC-Q100 : Added S71KL256S and its corresponding details.
*D	5635102	SZZX	02/23/2017	Added S71KS512S and its corresponding details. Updated Sales and Copyright information.