



S12 MagniV Mixed Signal MCUs S12VR Family

Integrated solution for Relay Driver (eg. Windowlift/sunroof)

Features

-  Relay Driver
-  Vreg for 12V Supply
-  Integrated LIN Phy
-  Ultra Reliable Industrial

Product One-Sheet

[Get Sample](#)

[Data Sheet](#)

[Tools](#)

System in a Package – Highly integrated part ideal for space constrained relay driven DC motors on LIN Bus

Low System Cost – Operating straight from car battery, integrated LIN phy, LS & HS drivers, HVI's for 12 V switch interfaces, EVDD for sensor supply reduce system, qualification and manufacturing cost.

High Reliability– High immunity to EMI and ESD stresses, LIN 2.x compliant with +/- 8 kV ESD capability.

Enablement – Supported by comprehensive hardware and software solution, which reduces development costs and time to market.

S12VR Specifications

Flash	16-64 KB	LS Driver	2 (for driving relays)
RAM	2-6 KB	HS Driver	1-2
EEPROM	128-512 B EE or 2-4 kB D-Flash	12V VREG	70 mA at 12 V
Core	S12	EVDD	1ch 5 V/20 mA (source)
Speed	25 Mhz	SCI/SPI	Up to 2/1
ADC	10 bit 10 channel	Packages	32 LQFP, 48 LQFP
HVI	4-6	Timer/PWM	4-ch. 16 bit/4-ch. 16 bit
LIN Phy	1	Op Range	5.5 V-18 V

Orderable Sample Part Numbers (superset)

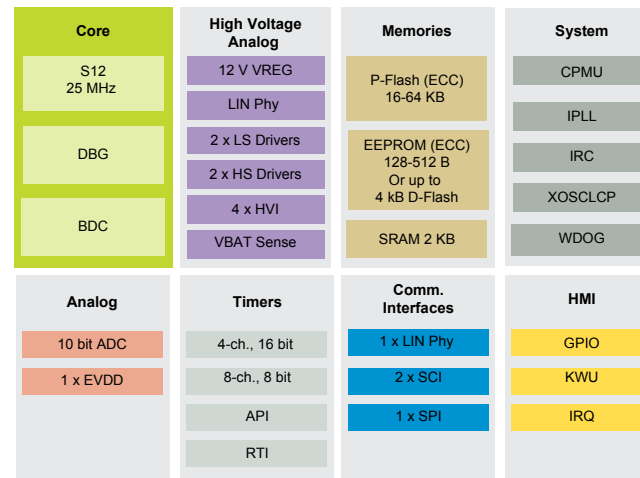
Part Number	Temp Range	Package
S9S12VR64AF0MLF	-40 to 125 °C	48 LQFP
S9S12VR64AF0MLC	-40 to 125 °C	32 LQFP
S9S12VR32F0MLC	-40 to 125 °C	32 LQFP
S9S12VRP64F0MLF	-40 to 125 °C	48 LQFP

www.nxp.com/S12VR

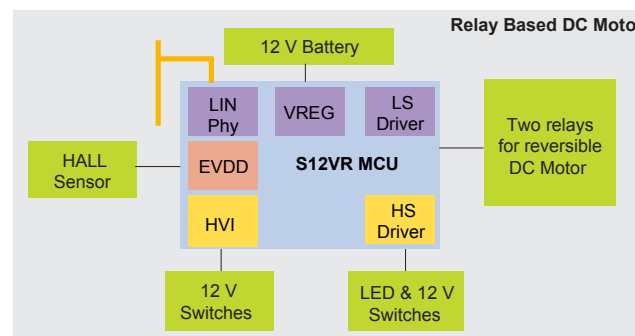
NXP and the NXP logo are trademarks of NXP B.V. All other product or service names are the property of their respective owners.
© 2018 NXP B.V.

Document Number: S12VRFS REV 0

Product Block Diagram



Application Example Block Diagram



Success Stories

- Anti Pinch Window-Lift and Sunroof Worldwide
- Power Lift Gate in Americas
- Seat Heating in China
- Small LIN node in Asia

Target Applications

- Anti-Pinch Window Lift
- Sunroof
- Automatic Doors
- Power Lift Gate
- Seat Adjustment
- Seat Heating
- Small LIN Node

Enablement Tools

- Evaluation Boards / Hardware
 - S12VR64EVB
 - S12VR32EVB
 - DEVKIT-S12VRP
- Reference Solutions
 - Anti-Pinch Window Lift Reference Design
- Compiler / Debugger
 - CodeWarrior
 - Cosmic
- LIN Stack

